

METRO COLLECTION

MARQUIS

6532

SIZE
65.32.20-23 (Includes Lumbar Support)

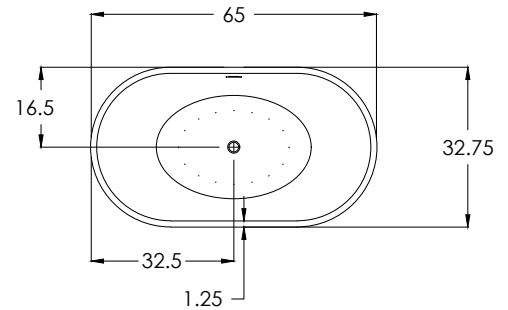
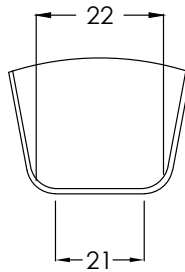
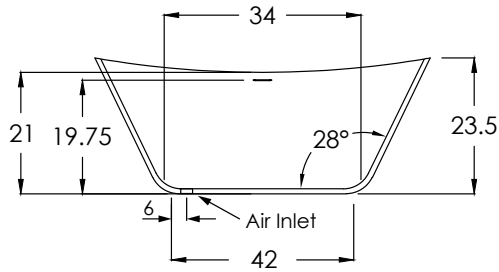
WATER CAPACITY
80 Gallons

WEIGHT
325 Pounds

INSTALLATION
Freestanding

BACK SLOPE
28°

MATERIAL
HydroLuxe SS™



MODEL	DESCRIPTION
MRQ6532HTO	Tub Only
MRQ6532HTA	Thermal Air (remote blower required)
HYDROLUXE SS™ COLORS	
Standard	Almond White Biscuit
Premium Colors	Black Carmine Red Concrete Grey Distant Blue Grey Beige Moss Green Orange Brown Pastel Violet Purple Violet Red Orange Sapphire Blue Signal Orange Stone Grey Tarpaulin Grey Terra Brown
DUAL COLOR OPTION	DUAL.COL.XXX-XXX
Group 1 - White with any color added	
Group 2 - two different colors	
FINISH	
Matte Finish	METRO.MAT
Polished Finish	METRO.POL
Matte Gloss Combination	METRO.TWOTONE
SURFACES (OUTSIDE ONLY)	Metallic: Polished Nickel (PN)

MODEL	DESCRIPTION
COLD PLUNGE order form	CLD.PL
HYDRO FUSION order form	29.107
HYDRO INDULGE order form	HYD.IND
HYDRO OZONE	INCLUDED ON THERMAL AIR
ISLAND TUB DRAIN	ITD.XXX ABS, PVC ITD.ABS ITD.PVC CAST IRON ITD.CST
REMOTE CONTROL	INCLUDED ON THERMAL AIR
WASTE & OVERFLOW	Linear Integral W/O LWO-XXX WHI, BIS, PC, PB, PN, BC, BB, BN, SC, SB, SN, ORB, PE, MB Gold Finish Upgrade (PG, BG)
EXPORT CRATE	FRT.EXPCRT



HYDRO SYSTEMS



Headquarters
29132 Avenue Paine
Valencia, CA 91355

Manufacturing Facility
385 Highway 155 South
McDonough, GA 30253

Technical Support
support@hydrosystem.com

Orders Department
orders@hydrosystem.com

General Information
info@hydrosystem.com

Phone: 661-775-0686

Website: hydrosystem.com

CODES AND COMPLIANCES

Massachusetts code File no: P1-0614-491



ADA Compliant

All specifications and options subject to change without notice please contact a hydro systems representative for more information.

MARQUIS

6532



STANDARD COLORS



PREMIUM COLORS



CUSTOM COLOR

Hydro Systems can match virtually any color including RAL and Pantone



WELLNESS OPTIONS



Cold Plunge
Revitalizing cold hydrotherapy into a traditional tub



Advanced UV system
Ozone and UV light helps to disinfect the water and keep it clean



Thermal Air
Tiny bubbles into the bathwater and offers untold relaxing benefits, similar to Swedish massage



Hydro Fusion
Totally silent operation maintains ideal temperature without adding hot water constantly



Hydro Indulge
A concentrated dose of oxygen-rich molecules cleanse and restore skin



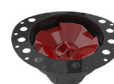
Tower
Ideal solution adding systems or roman tub faucet to a freestanding bathtub.

OTHER OPTIONS

Additional options can be found on our website



Integral Waste and Overflow
Seamless built-in protection for bathtub (included)



Island Tub Drain
Asymmetrical 18 Gauge Epoxy coated Metal Deck Flange makes installation in tight spaces easier.

ELECTRICAL REQUIREMENTS

All electrical information can be found on our website

INSTALLATION VIDEOS

All installation videos can be found on our website

Installation Tips:

- When adding Thermal Air, blower must be remotely located



HYDRO SYSTEMS



Headquarters
29132 Avenue Paine
Valencia, CA 91355

Manufacturing Facility
385 Highway 155 South
McDonough, GA 30253

Technical Support
support@hydrosystem.com

Orders Department
orders@hydrosystem.com

General Information
info@hydrosystem.com
Phone: 661-775-0686
Website: hydrosystem.com

CODES AND COMPLIANCES

Massachusetts code File no: P1-0614-491



All specifications and options subject to change without notice please contact a hydro systems representative for more information.