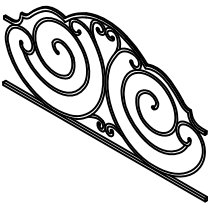



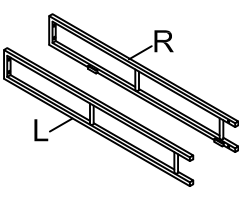
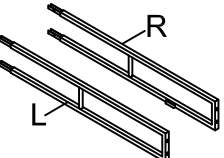
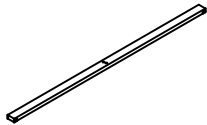

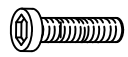

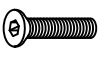
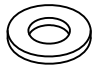






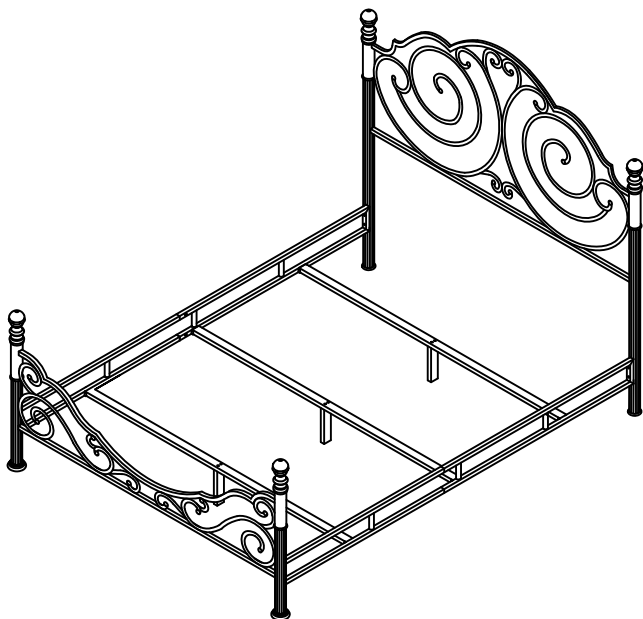


ASSEMBLY INSTRUCTION

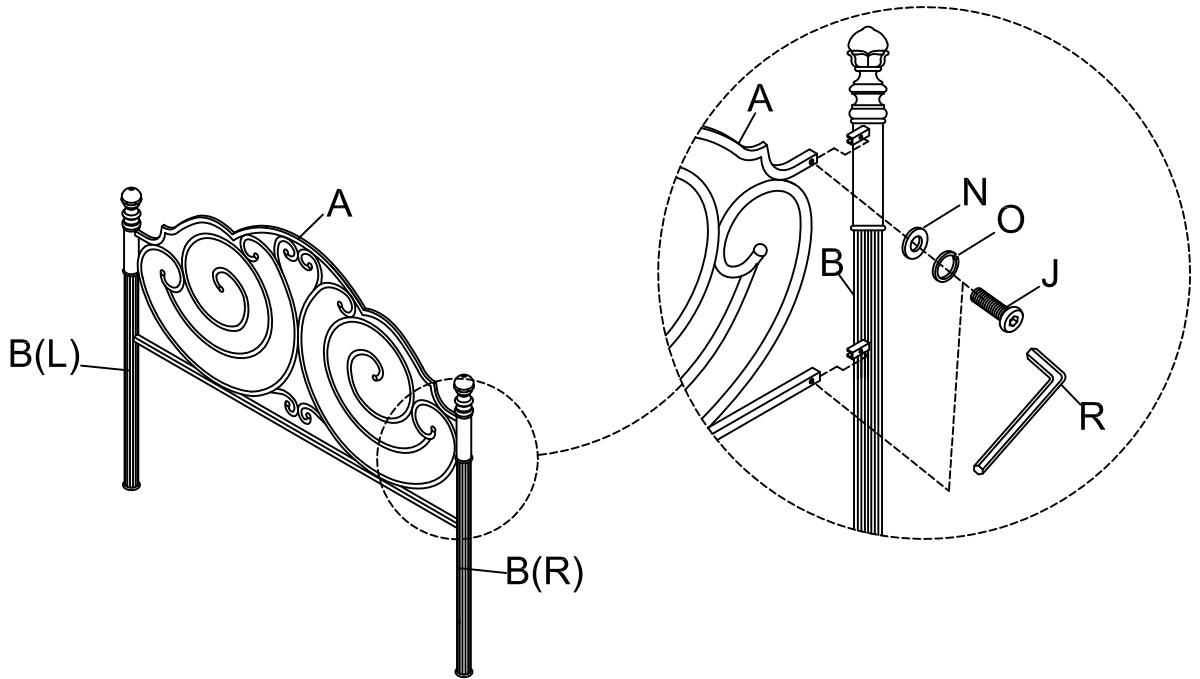
METAL POSTER BED

A Headboard Panel  1pc	B Headboard Poster (Left / Right)  2pcs	C Footboard Panel  1pc	D Footboard Poster (Left / Right)  2pcs	E Side Rail - Front  2pcs
F Side Rail - Rear  2pcs	G Slat  3pcs	H Support Leg  3pcs	I Bolt $\phi 5/16$ "x1-3/4"  8pcs	J Bolt $\phi 1/4$ "x5/8"  20pcs
K Sunk Bolt $\phi 1/4$ "x1-3/4"  6pcs	L Flat Washer $\phi 5/16$ "x $\phi 3/4$ "  8pcs	M Lock Washer $\phi 5/16$ "  8pcs	N Flat Washer $\phi 1/4$ "  20pcs	O Lock Washer $\phi 1/4$ "  20pcs
P Plastic Washer $\phi 5/16$ "  8pcs	Q Allen Key 5mm  1pc	R Allen Key 4mm  1pc		

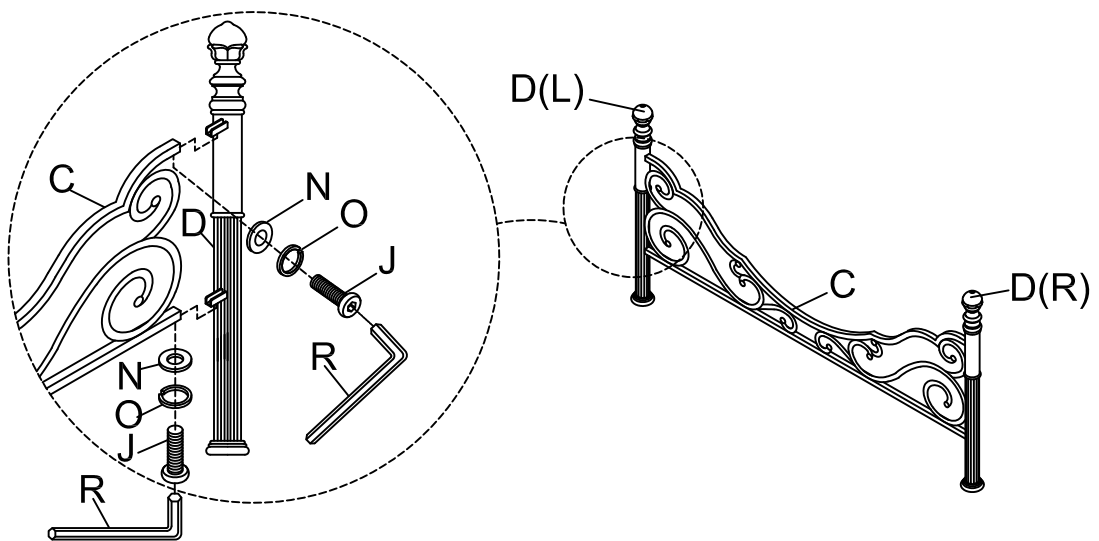


This page lists all the contents included in the box. Please take the time to identify the hardware as well as the individual components to this product. As you unpack and prepare for assembly, place the contents on a carpeted or padded area to protect them from damage.

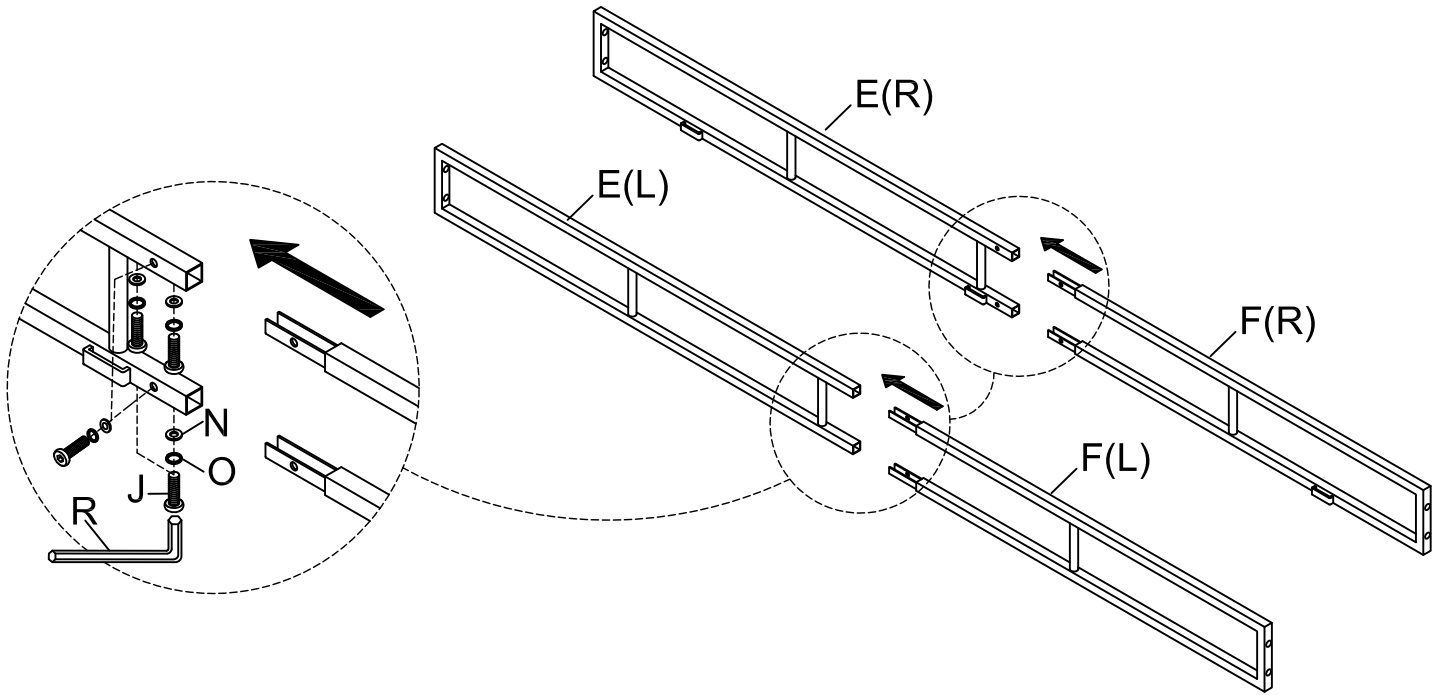
1 Attach Headboard Poster (B) to Headboard Panel (A) using Bolt (J), Lock Washer (O) and Flat Washer (N) with Allen Key (R).



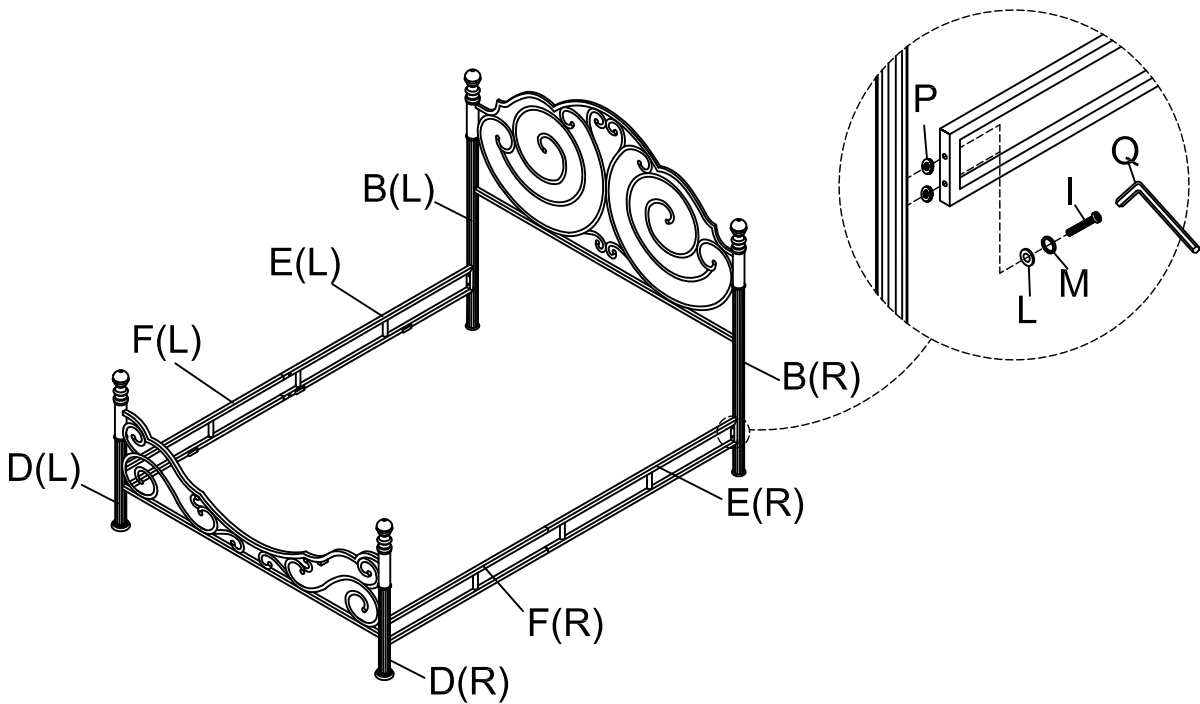
2 Attach Footboard Poster (D) to Footboard Panel (C) using Bolt (J), Lock Washer (O) and Flat Washer (N) with Allen Key (R).



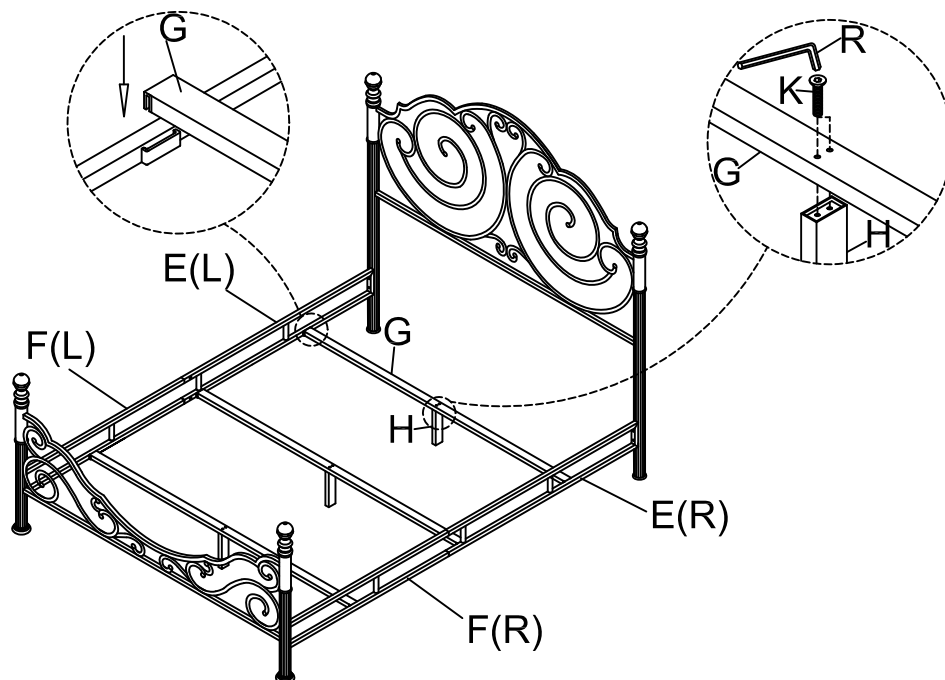
3 Attach Side Rail - Rear (F) to Side Rail - Front (E) using Bolt (J), Lock Washer (O) and Flat Washer (N) with Allen Key (R).



4 Attach Side Rail - Front (E) and Side Rail - Rear (F) to Headboard Poster (B) and Footboard Poster (D) using Bolt (I), Lock Washer (M), Flat Washer (L) and Plastic Washer (P) with Allen Key (Q).



5 Attach Support Leg (H) to Slat (G) using Sunk Bolt (K) with Allen Key (R). Then attach Slat (G) to Side Rail - Front (E) and Side Rail - Rear (F) properly.



Cleaning & Care

Treat surfaces with care. Surfaces are resistant to scratches but are not scratch resistant. Clean surfaces with a dry or damp soft cloth. Do not use abrasive cleaners. Hardware may loosen over time. Periodically check that all connections are tight.