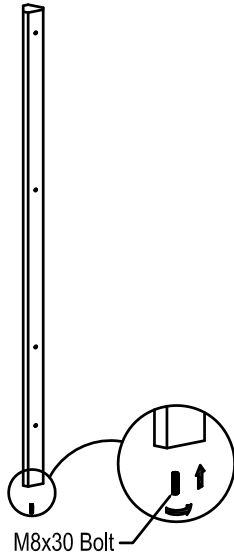
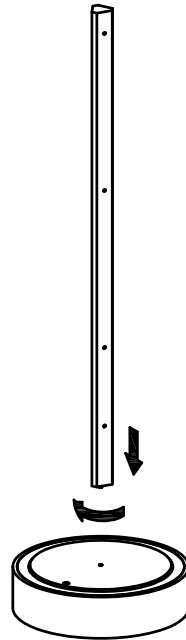


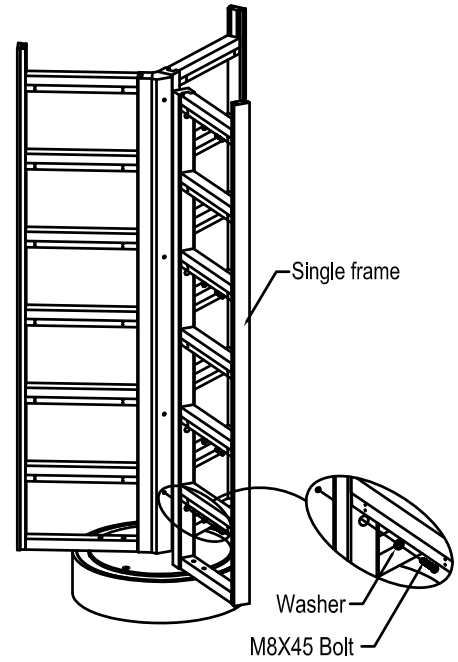
1. Mount the M8X30 bolt onto the bottom side of middle column



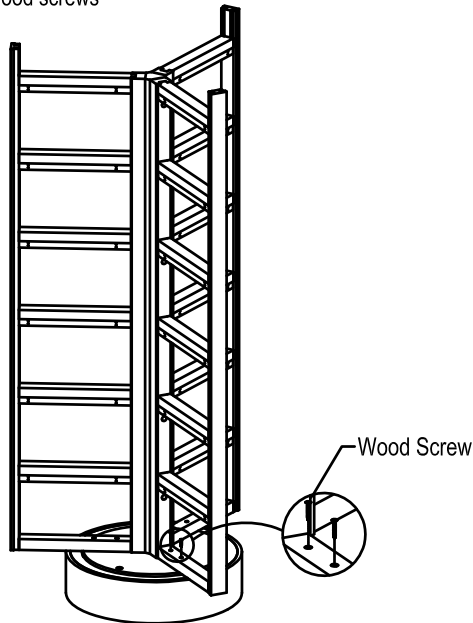
2. Mount the sub-assembly middle column onto base



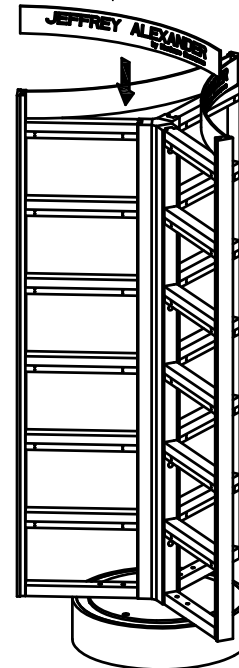
3. Lock the single frame onto the middle column with washer and connect bolt








4. The frame and rotate base need to be fastened with wood screws



5. Mount the PMMA board from top side



### Hardware Pack for Display4-6sides

	M8x30 Bolt	1pcs
	Washer	12pcs
	M8X45 Bolt	12pcs
	Wood screw #8X1-3/8"	6pcs
	Wrench	1pcs