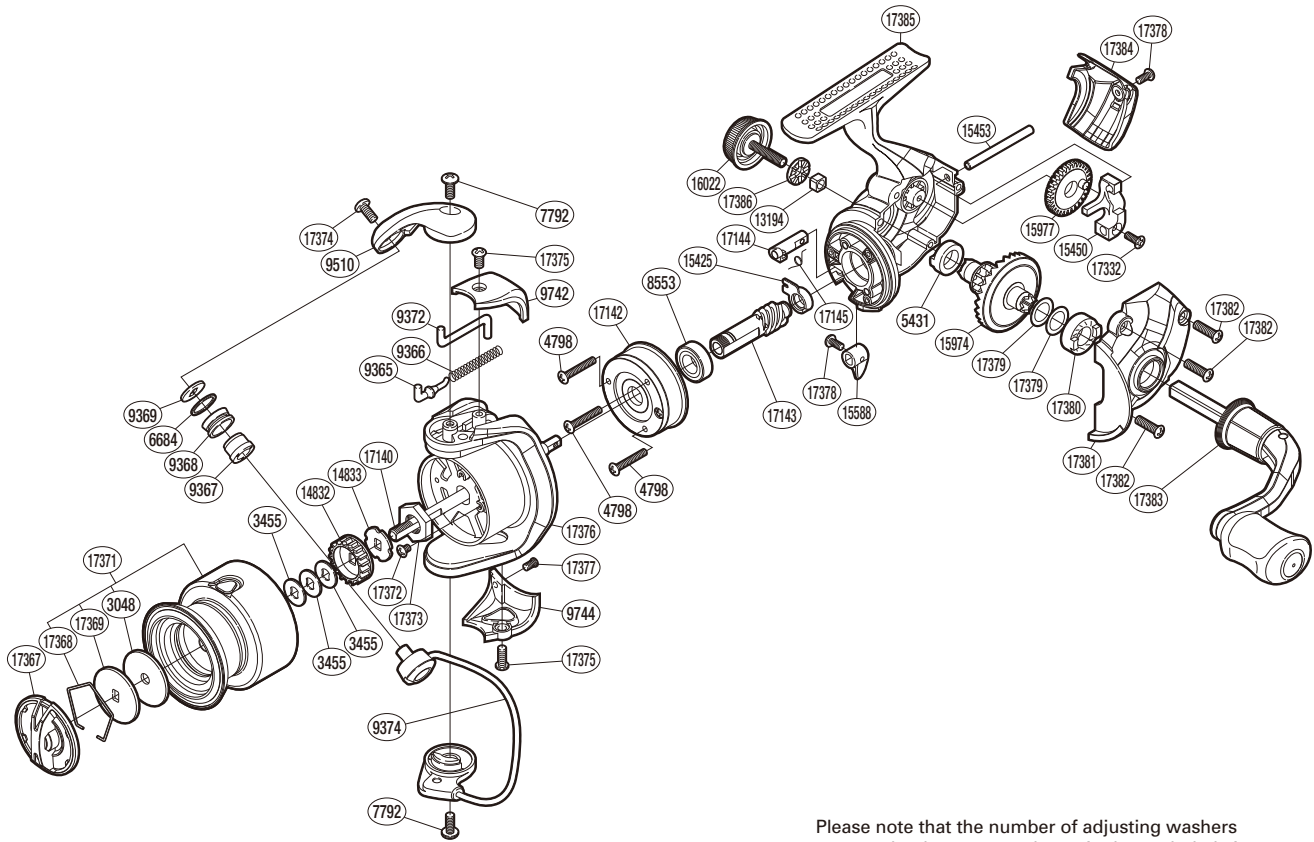


SHIMANO

SIENNA

SN-1000FE



Please note that the number of adjusting washers may not be the same as shown in the exploded views. (Adjustment will vary with each individual product.)

(51SE721003X)

Part No.	Description	Part No.	Description	Part No.	Description
RD 3048	Drag Washer	RD14832	Spool Support A	RD17371	Spool Assembly
RD 3455	Spool Washer	RD14833	Spool Support B	RD17372	Screw
RD 4798	Screw	RD15425	Pinion Gear Bushing	RD17373	Rotor Nut
RD 5431	Drive Gear Bushing	RD15450	Oscillating Slider	RD17374	Screw
RD 6684	Line Roller Spacer	RD15453	Oscillating Guide	RD17375	Screw
RD 7792	Screw	RD15588	Anti-Reverse Lever	RD17376	Rotor
RD 8553	Ball Bearing	RD15974	Drive Gear	RD17377	Screw
RD 9365	Bail Spring Guide	RD15977	Oscillating Gear	RD17378	Screw
RD 9366	Bail Spring	RD16022	Handle Screw Cap	RD17379	Washer
RD 9367	Line Roller Bushing	RD17140	Main Shaft	RD17380	Drive Gear Bushing
RD 9368	Line Roller	RD17142	Roller Clutch Assembly	RD17381	Side Cover
RD 9369	Line Roller Washer	RD17143	Pinion Gear	RD17382	Screw
RD 9372	Bail Trip Lever	RD17144	Anti-Reverse Cam	RD17383	Handle Assembly
RD 9374	Bail Assembly	RD17145	Anti-Reverse Cam Spring	RD17384	Rear Protector
RD 9510	Bail Arm	RD17332	Screw	RD17385	Body
RD 9742	Bail Spring Cover	RD17367	Drag Knob	RD17386	Handle Screw Cap Spacer
RD 9744	Bail Hold Support Guard	RD17368	Drag Washers Retainer		
RD13194	Handle Screw Lock	RD17369	Key Washer		

(150710)