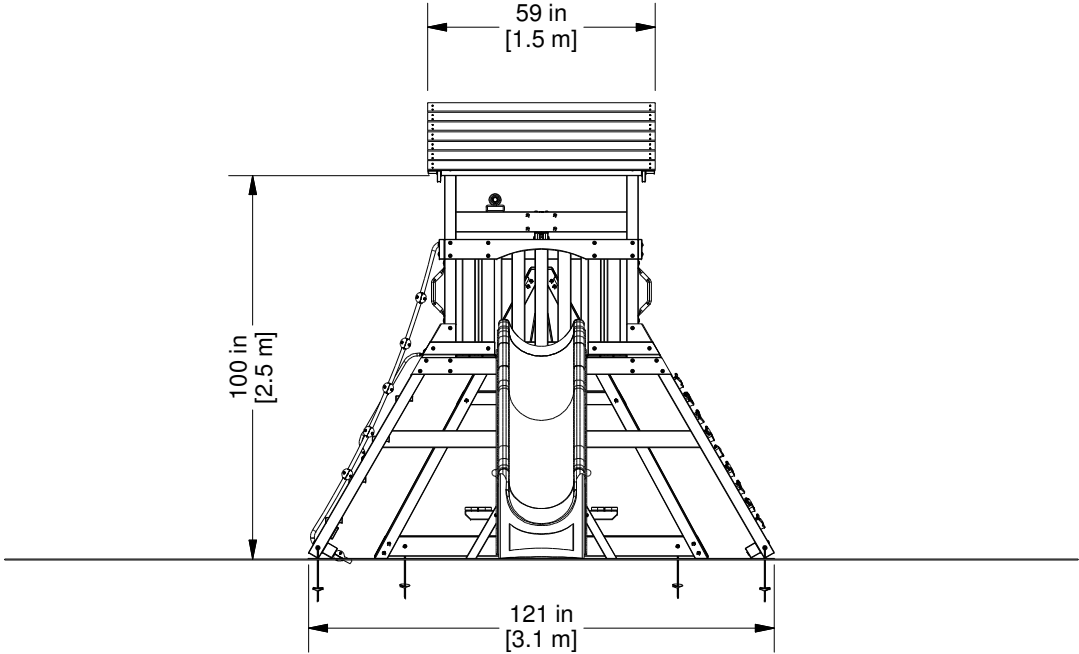
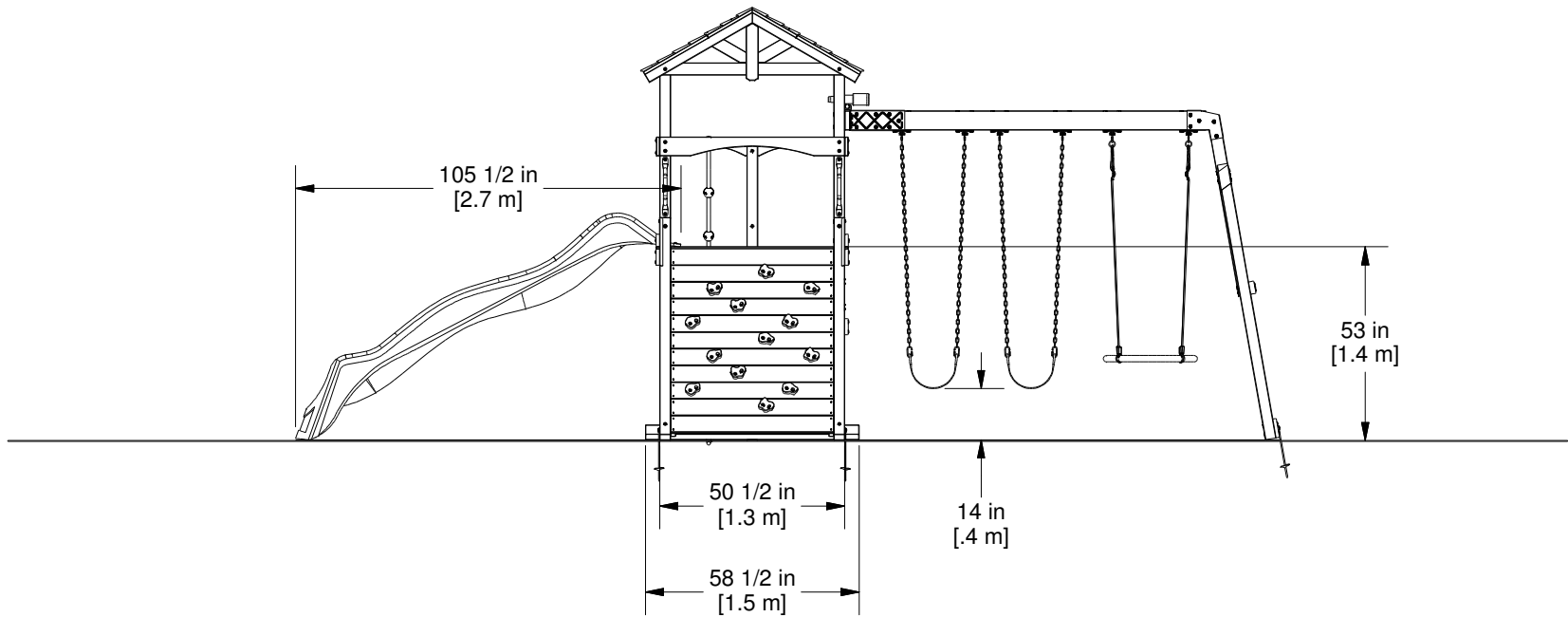


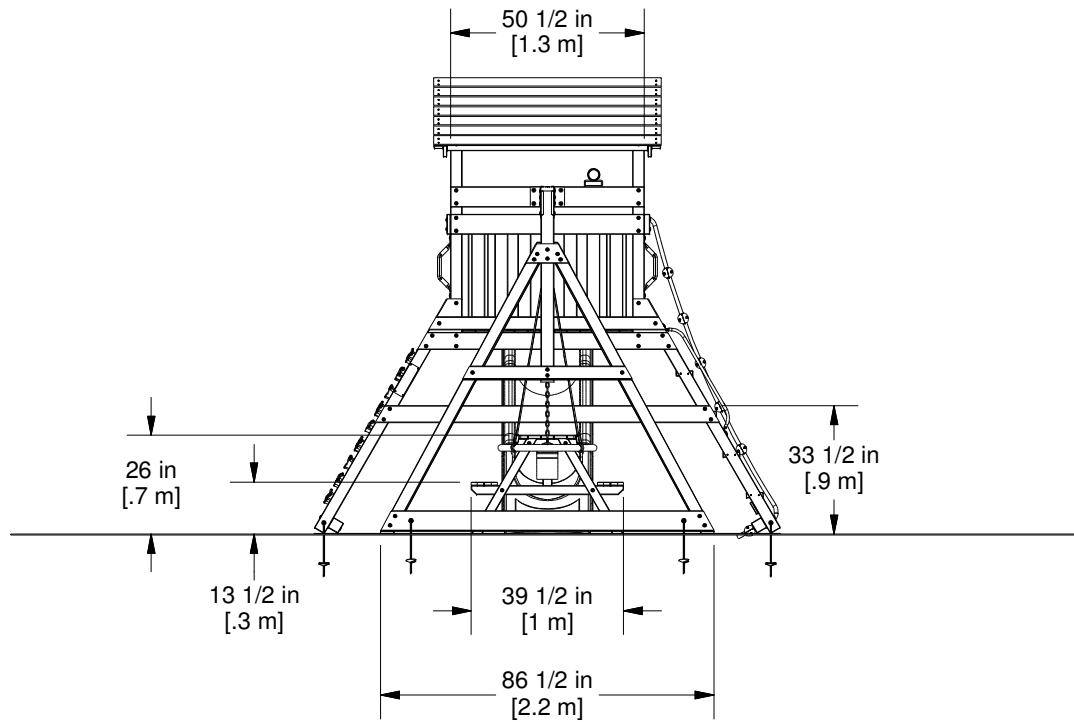
DRAWN BY	wsmalley	DESCRIPTION	ENDEAVOR II PLAYSET
DATE	6/30/2021	PART NUMBER	2200135 ENDEAVOR II FOOTPRINT
		REV	



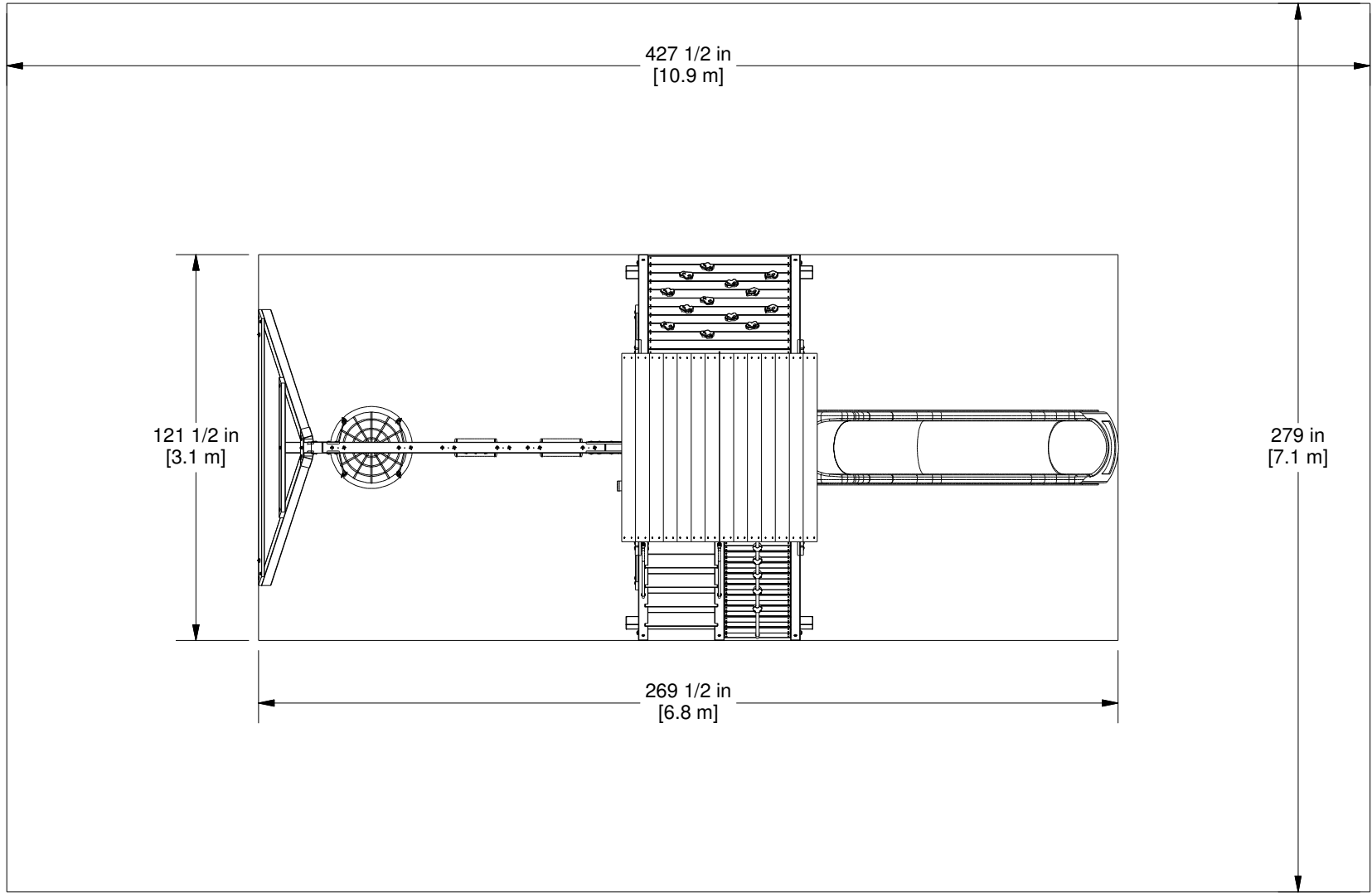
<small>DRAWN BY</small> wsmalley	<small>DESCRIPTION</small> ENDEAVOR II PLAYSET	
<small>DATE</small> 6/30/2021	<small>PART NUMBER</small> 2200135 ENDEAVOR II FOOTPRINT	<small>REV</small>



DRAWN BY	wsmalley	DESCRIPTION	ENDEAVOR II PLAYSET
DATE	6/30/2021	PART NUMBER	2200135 ENDEAVOR II FOOTPRINT
		REV	



DRAWN BY	wsmalley	DESCRIPTION	ENDEAVOR II PLAYSET
DATE	6/30/2021	PART NUMBER	2200135 ENDEAVOR II FOOTPRINT
		REV	



DRAWN BY	wsmalley	DESCRIPTION	ENDEAVOR II PLAYSET
DATE	6/30/2021	PART NUMBER	2200135 ENDEAVOR II FOOTPRINT
		REV	