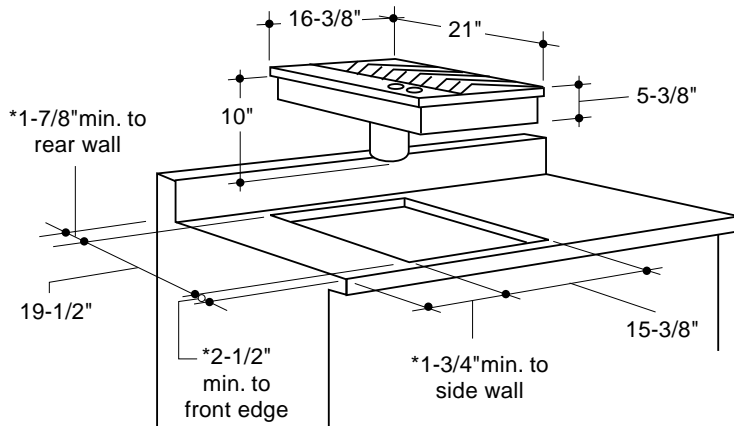




Monogram™

ZEW155N—Updraft Grill Component

Dimensions and Specifications (in inches)



* When installed, the following minimum clearances must be maintained: 2" from front of cooktop to front edge of countertop. 1" from back of cooktop to rear wall. 1" from side of cooktop to side wall.

Cutout Dimensions:

W 15-3/8"

L 19-1/2"

Note: 240V/7.3 amps.

Important Note: Multiple component installations require joiner strips between components. Add 1/4" to total cutout for each downdraft vent-to-component connection; add 3/4" to total cutout for each component-to-component connection. See Monogram Component Cooktop Installation Instructions, Pub. No. 49-8834 for specific installation requirements.

For answers to your Monogram®, GE Profile™, GE, Hotpoint and RCA appliance questions, call GE Answer Center® service, 800.626.2000.

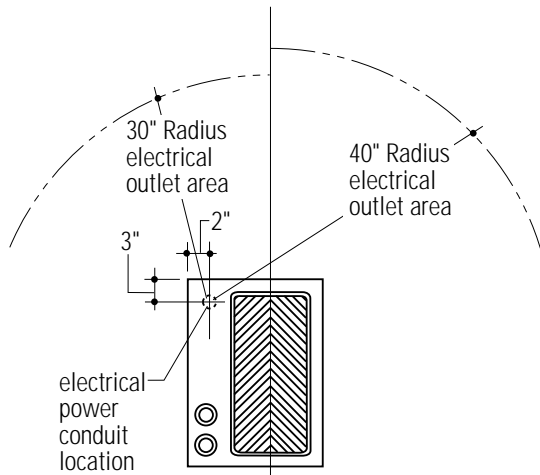




Monogram™

ZEW155N—Component Cooking Surfaces Electric Location Information

Dimensions and Specifications (in inches)



Important Information: Multiple component installations require joiner strips between components. Add 1/4" to total cutout for each downdraft vent-to-component connection; add 3/4" to total cutout for each component-to-component connection. See Monogram Component Cooktop Installation Instructions, Pub. No. 49-8834 for specific installation requirements.

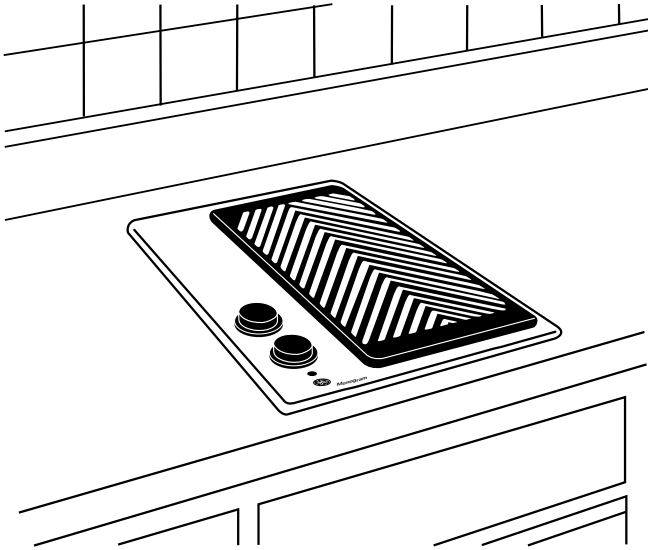
For answers to your Monogram®, GE Profile™, GE, Hotpoint and RCA appliance questions, call GE Answer Center® service, 800.626.2000.





Monogram™

ZEW155N—Component Cooking Surfaces Electric Location Information



Features and Benefits

- Stainless Steel Model
- 1750 Watt Heating Element
- Separate Controls for Each Half of Grill Heating Element
- Cast-Iron, Porcelainized Grill
- Stainless Steel Component Surround
- Mix or Match Component Capability
- Installation Horizontally or Vertically
- Model ZEW155NSS—Stainless Steel