
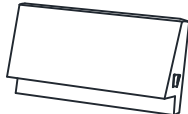



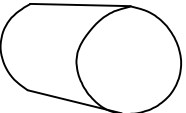
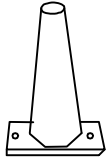




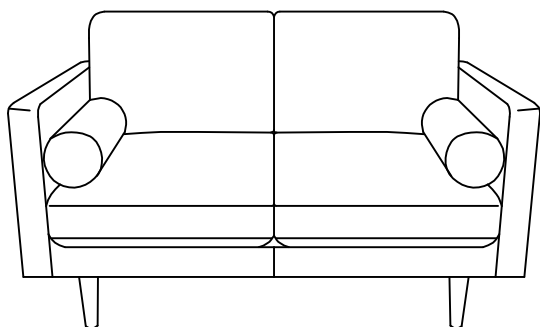


# ASSEMBLY INSTRUCTION

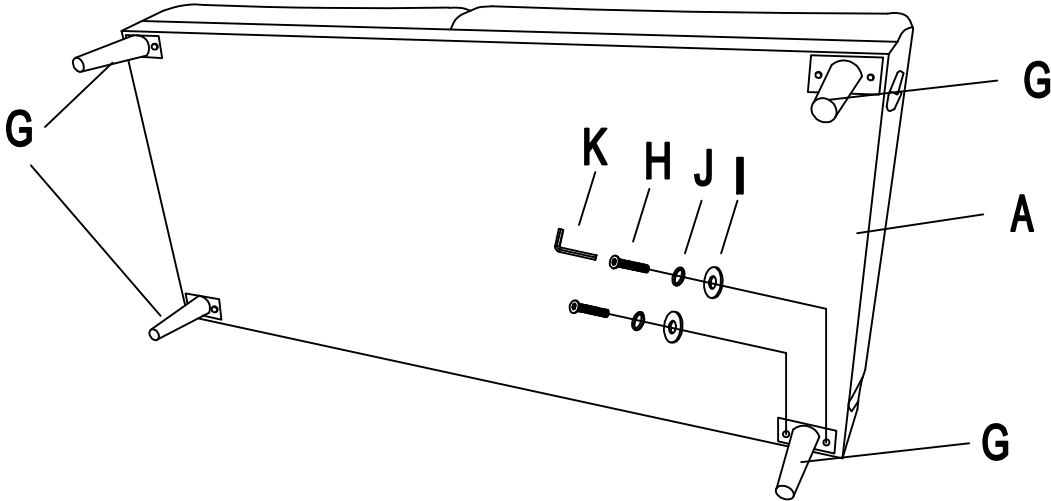
## LOVESEAT

<b>A</b> Seat	<b>B</b> Back Frame	<b>C</b> Left Panel	<b>D</b> Right Panel	<b>E</b> Back Cushion
				
1pc	1pc	1pc	1pc	2pcs
<b>F</b> Pillow	<b>G</b> Leg	<b>H</b> Bolt M8*40mm	<b>I</b> Flat Washer M8	<b>J</b> Lock Washer M8
				
2pcs	4pcs	8pcs	8pcs	8pcs
<b>K</b> Allen Wrench 30mm*70mm				
				
1pc				

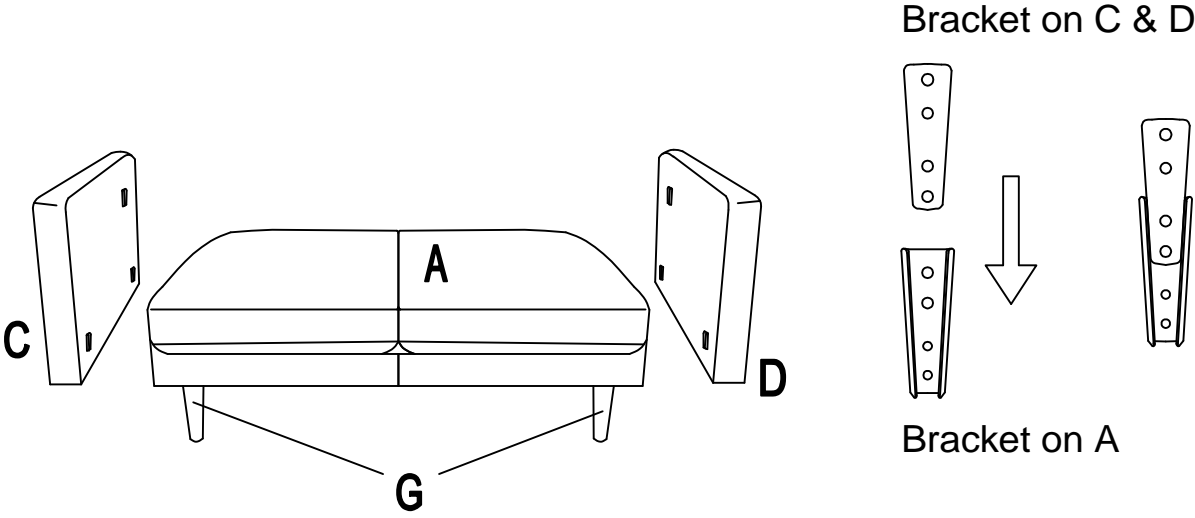


This page lists all the contents included in the box. Please take the time to identify the hardware as well as the individual components to this product. As you unpack and prepare for assembly, place the contents on a carpeted or padded area to protect them from damage.

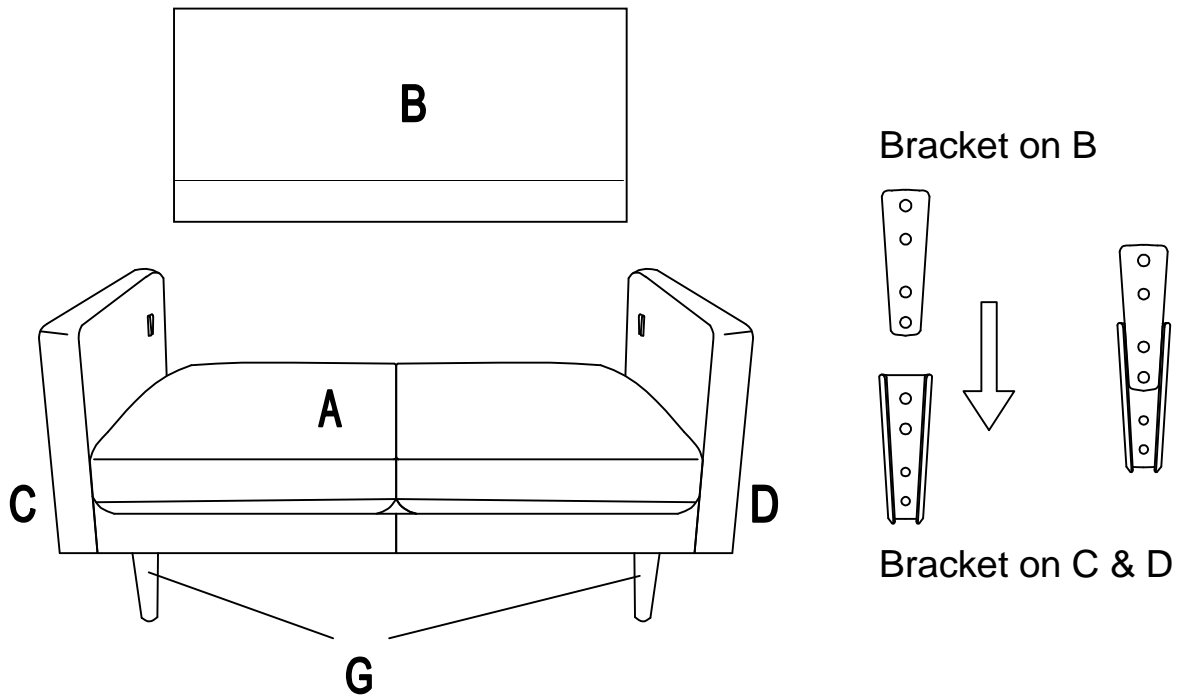
**1** Assemble Leg (G) to the bottom of Seat (A) with Bolt (H) & Flat Washer (I) & Lock Washer (J), then tighten with Allen Wrench (K).



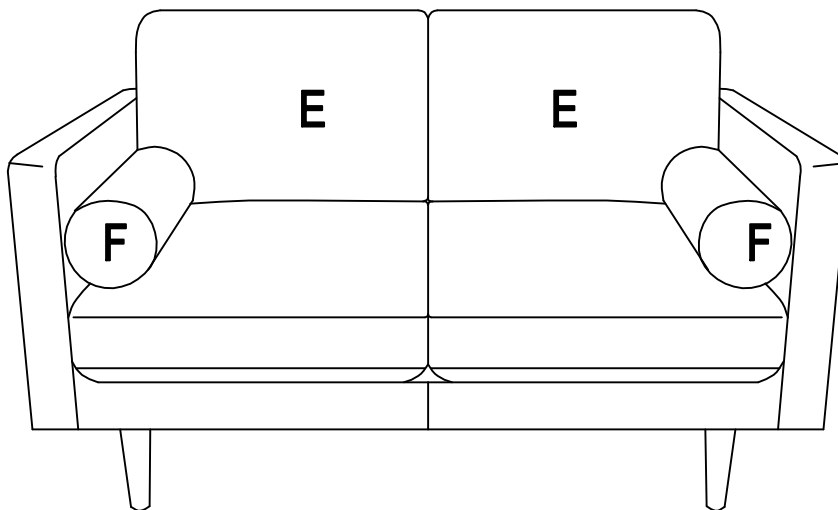
**2** Hook on the Left Panel (C) & Right Panel (D) to Seat (A) properly.



- 
- 3** Hook on the Back Frame (B) to Left Panel (C) & Right Panel (D) properly.



- 
- 4** Place Pillow (F) and Back Cushion (E) on the loveseat correctly.



---

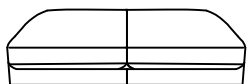
### Cleaning & Care

Treat surface with care. Surface is resistant to scratches but is not scratch resistant. Clean surfaces with a dry or damp soft cloth. Do not use abrasive cleaners. Hardware may loosen over time. Periodically check that all connections are tight.

# ASSEMBLY INSTRUCTION

## SOFA

**A** Seat      **B** Back Frame      **C** Left Panel      **D** Right Panel      **E** Back Cushion



1pc



1pc



1pc

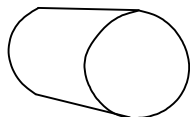


1pc

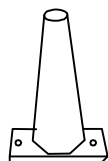


2pcs

**F** Pillow      **G** Leg      **H** Bolt M8\*40mm      **I** Flat Washer M8      **J** Lock Washer M8



2pcs



5pcs



10pcs



10pcs

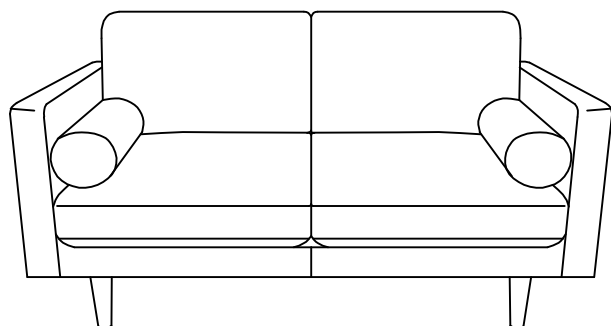


10pcs

**K** Allen Wrench  
30mm\*70mm

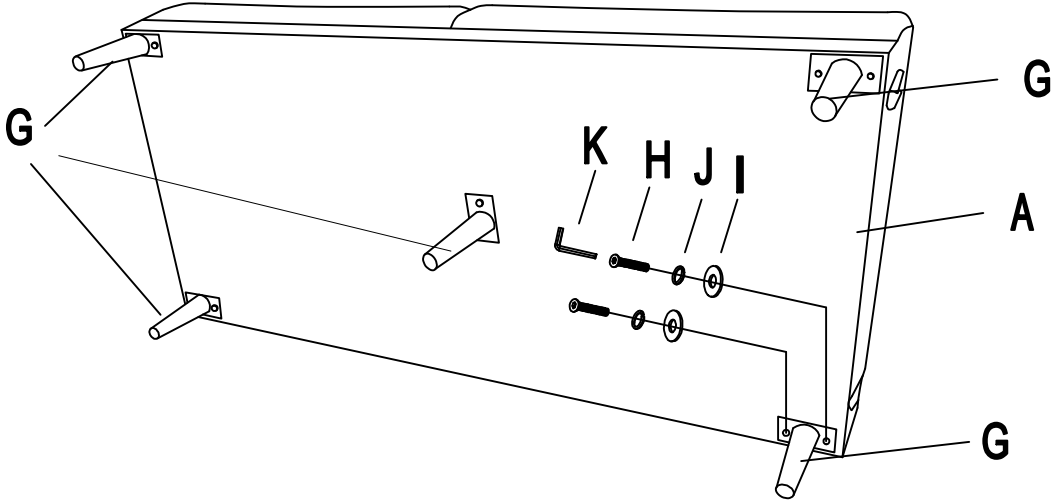


1pc

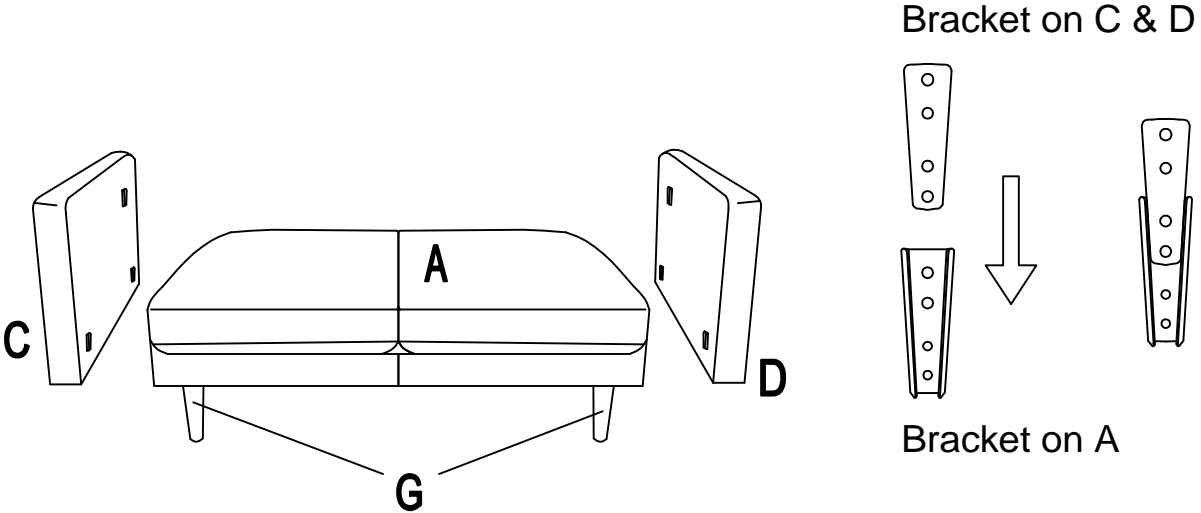


This page lists all the contents included in the box. Please take the time to identify the hardware as well as the individual components to this product. As you unpack and prepare for assembly, place the contents on a carpeted or padded area to protect them from damage.

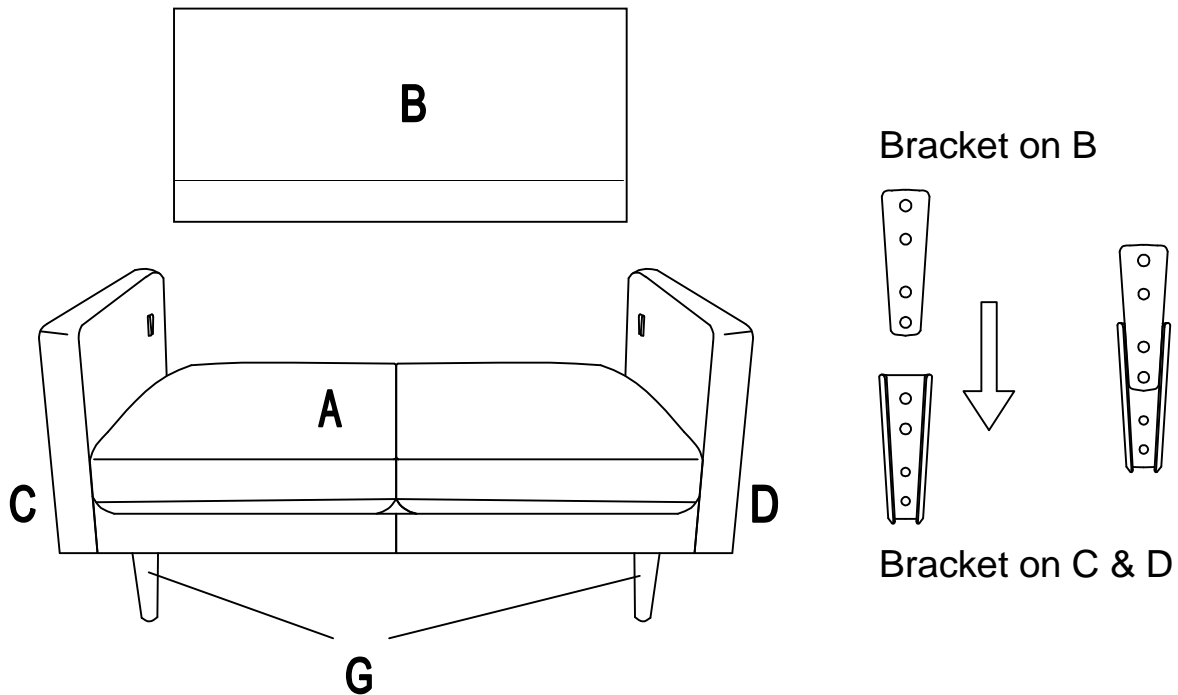
**1** Assemble Leg (G) to the bottom of Seat (A) with Bolt (H) & Flat Washer (I) & Lock Washer (J), then tighten with Allen Wrench (K).



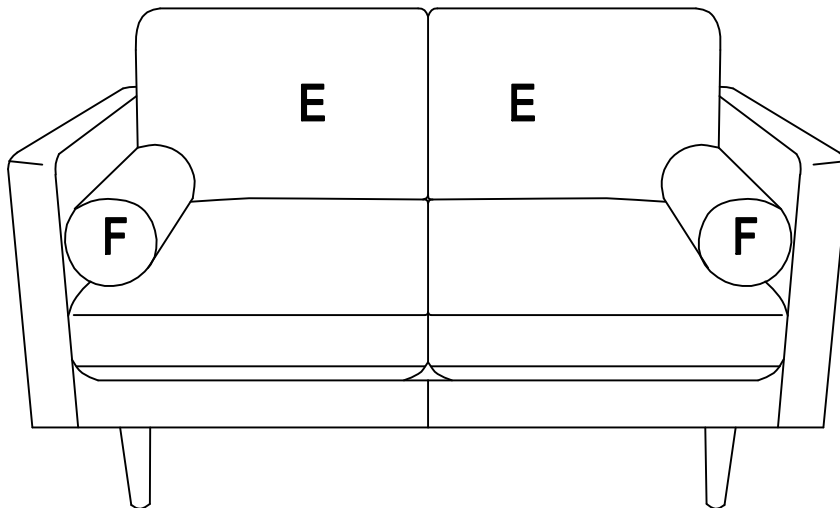
**2** Hook on the Left Panel (C) & Right Panel (D) to Seat (A) properly.



- 
- 3** Hook on the Back Frame (B) to Left Panel (C) & Right Panel (D) properly.



- 
- 4** Place Pillow (F) and Back Cushion (E) on the sofa correctly.



---

### Cleaning & Care

Treat surface with care. Surface is resistant to scratches but is not scratch resistant. Clean surfaces with a dry or damp soft cloth. Do not use abrasive cleaners. Hardware may loosen over time. Periodically check that all connections are tight.

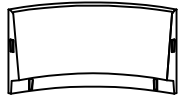
# ASSEMBLY INSTRUCTION

## CORNER

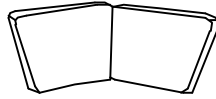
- 
- A** Seat      **B** Back Frame      **C** Back Cushion      **D** Leg      **E** Bolt M8\*40mm



1pc



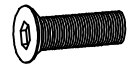
1pc



1pc



3pcs



6pcs

- 
- F** Flat Washer M8      **G** Lock Washer M8      **H** Allen Wrench 30mm\*70mm



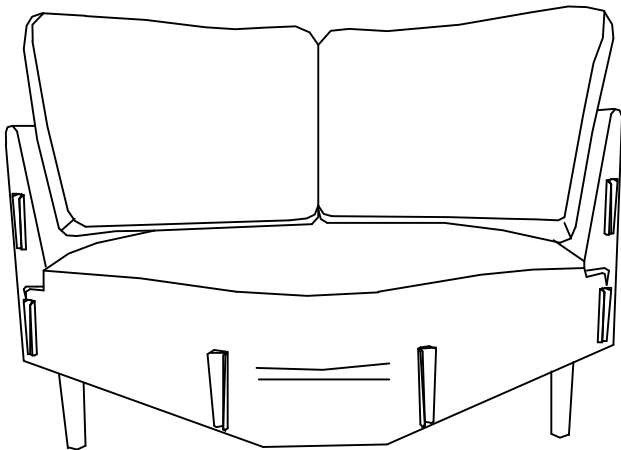
6pcs



6pcs

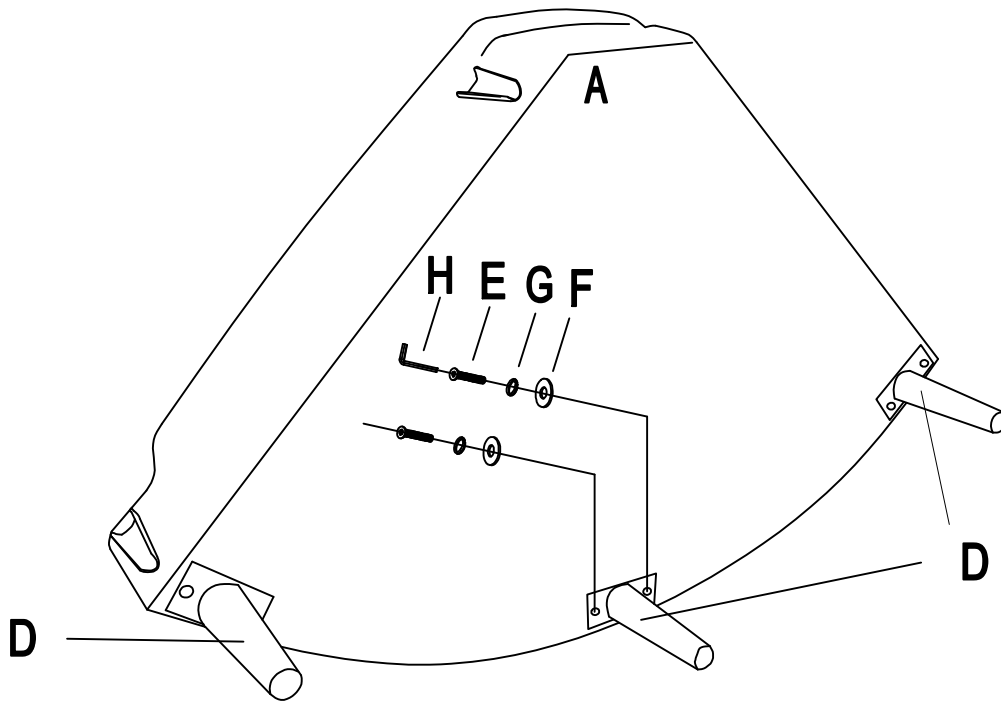


1pc



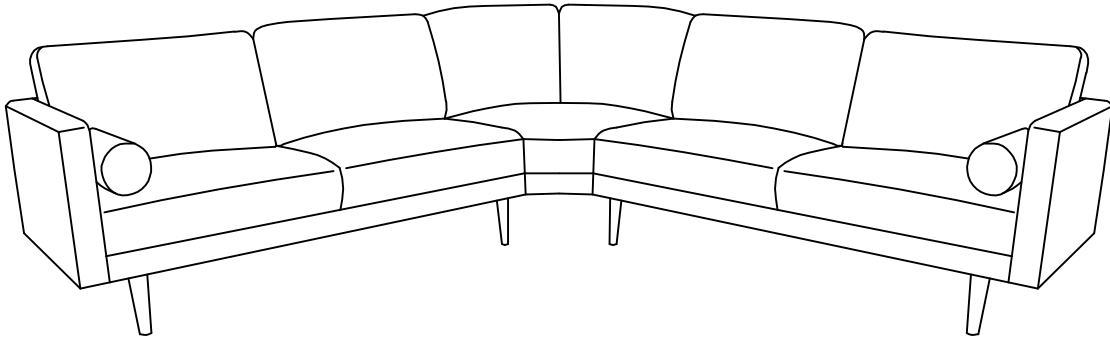
This page lists all the contents included in the box. Please take the time to identify the hardware as well as the individual components to this product. As you unpack and prepare for assembly, place the contents on a carpeted or padded area to protect them from damage.

**1** Assemble Leg (D) to the bottom of Seat (A) with Bolt (E) & Flat Washer (F) & Lock Washer (G), then tighten with Allen Wrench (H).

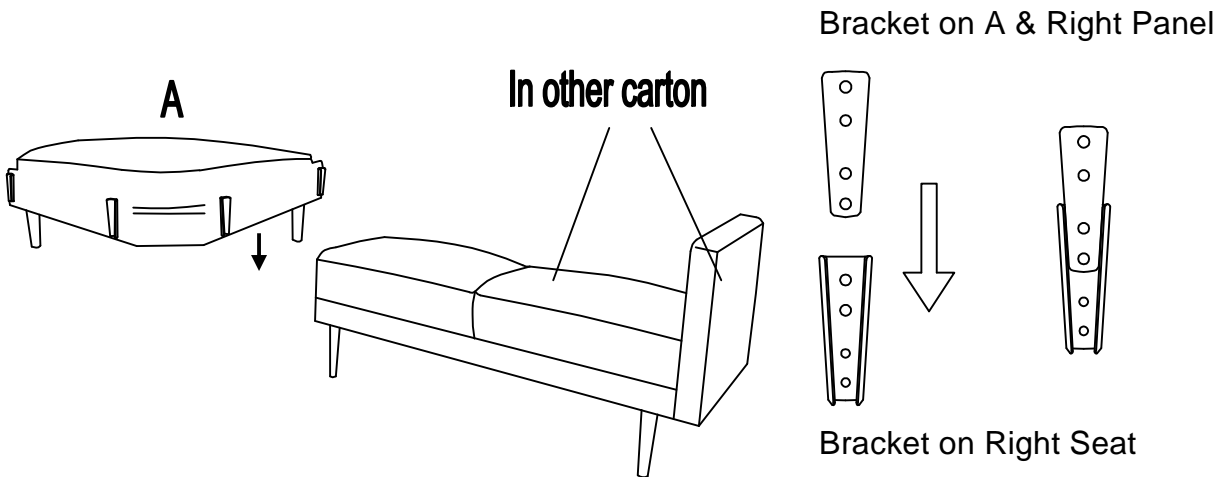




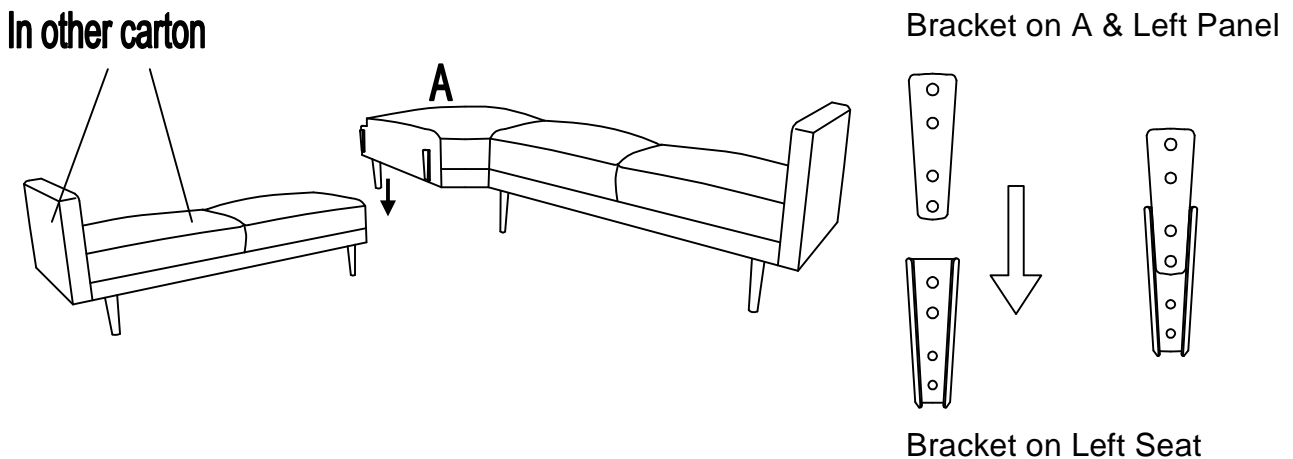
## L-Shape:



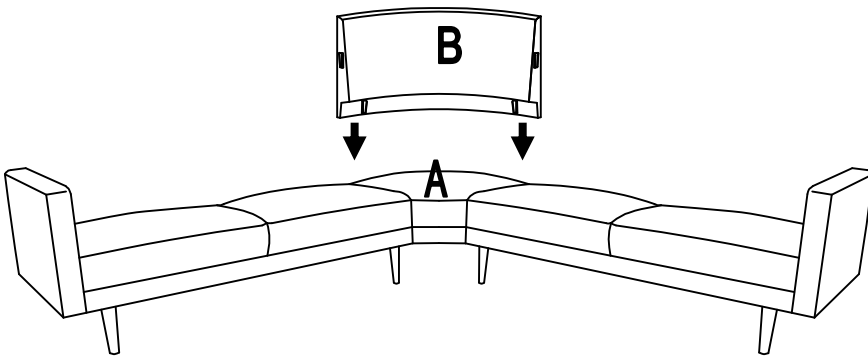
- 2** Hook on Right Panel and Seat (A) to Right Seat properly. (Right Seat and Right Panel are not in the Corner cartons.)



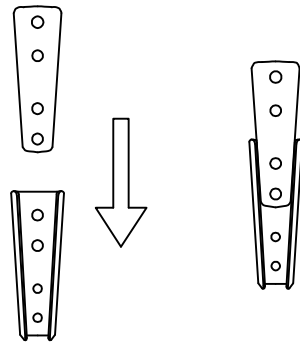
- 3** Hook on Left Panel and Seat (A) to Left Seat properly. (Left Seat and Left Panel are not in the Corner cartons.)



**4** Hook on Back Frame (B) to Seat (A) properly.

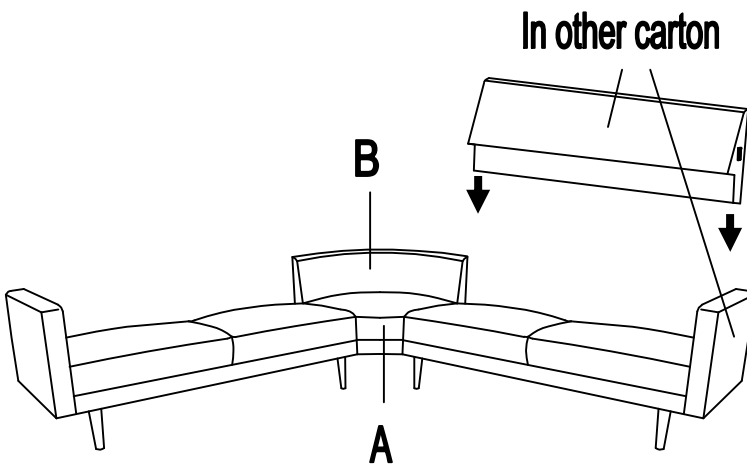


Bracket on B

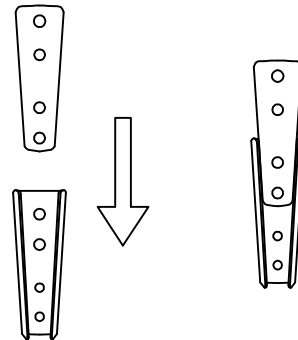


Bracket on A

**5** Hook on Right Back Frame to Right Panel and Back Frame (B) properly. (Right Back Frame and Right Panel are not in the Corner cartons.)

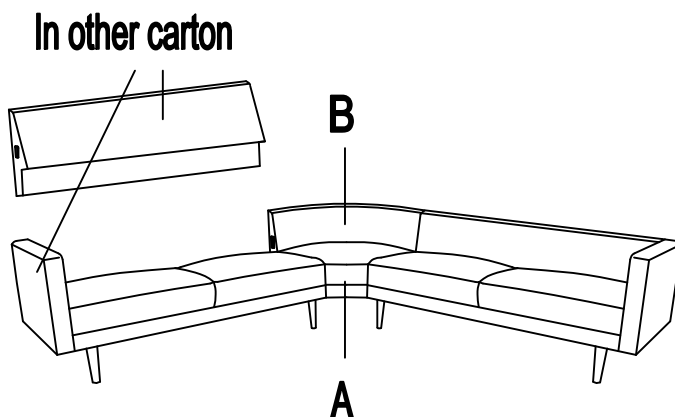


Bracket on Right Back Frame

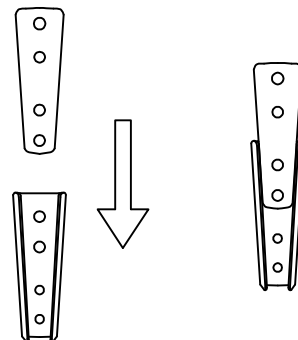


Bracket on B & Right Panel

**6** Hook on Left Back Frame to Left Panel and Back Frame (B) properly. (Left Back Frame and Left Panel are not in the Corner cartons.)



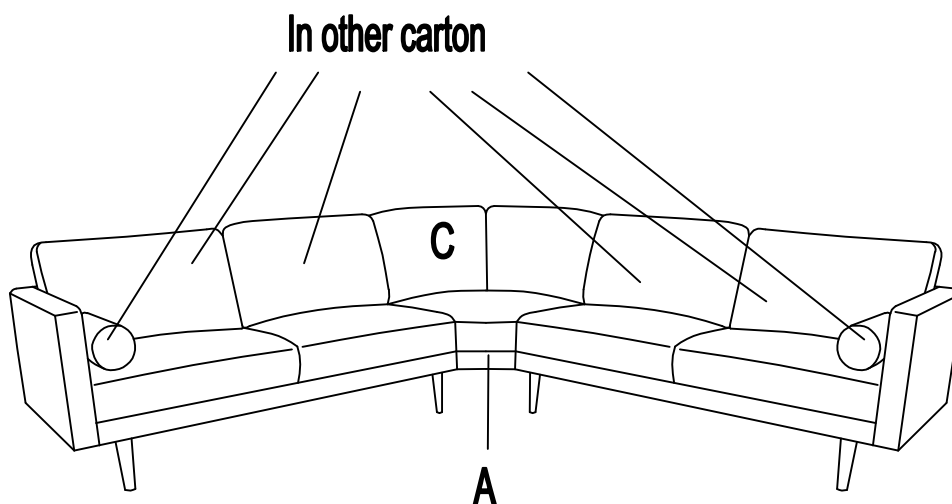
Bracket on Left Back Frame



Bracket on B & Left Panel

---

**7** Put the Back Cushion (C) and other Back Cushions & Pillows on Seat.

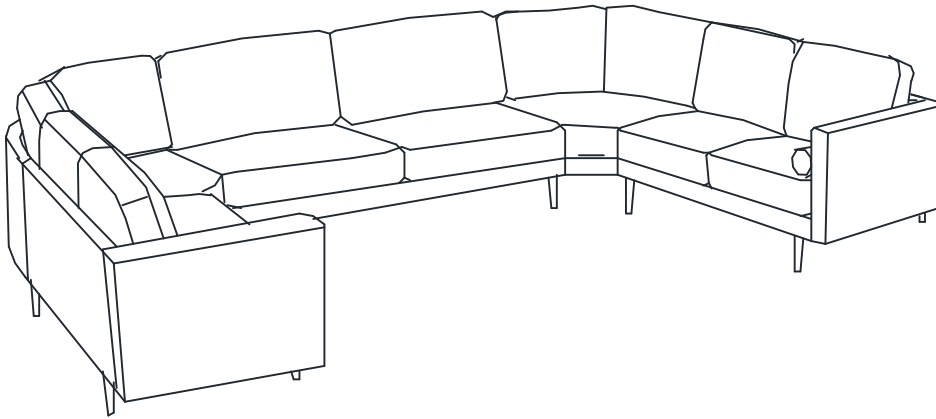


---

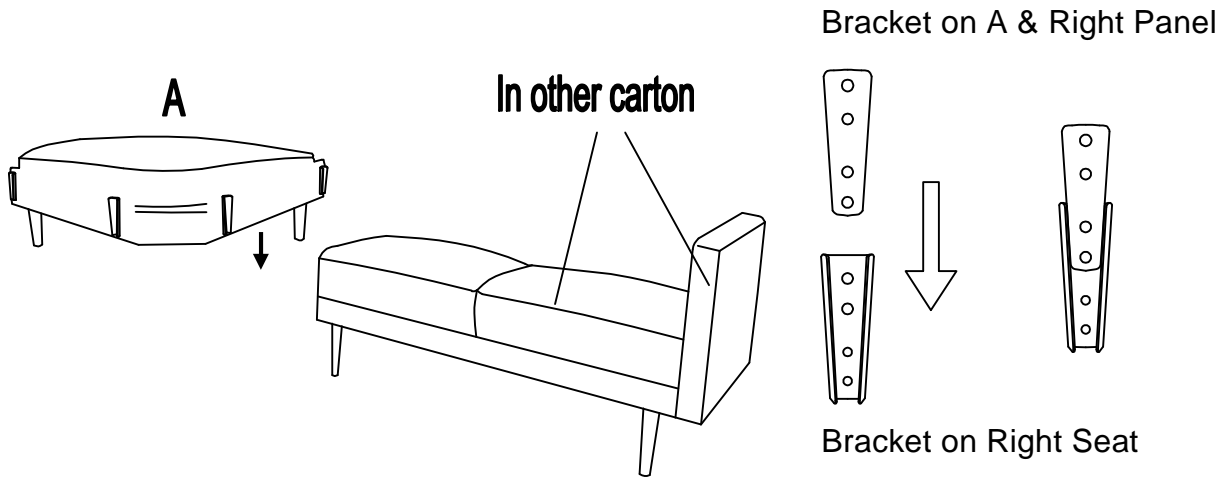
**Cleaning & Care**

Treat surface with care. Surface is resistant to scratches but is not scratch resistant. Clean surfaces with a dry or damp soft cloth. Do not use abrasive cleaners. Hardware may loosen over time. Periodically check that all connections are tight.

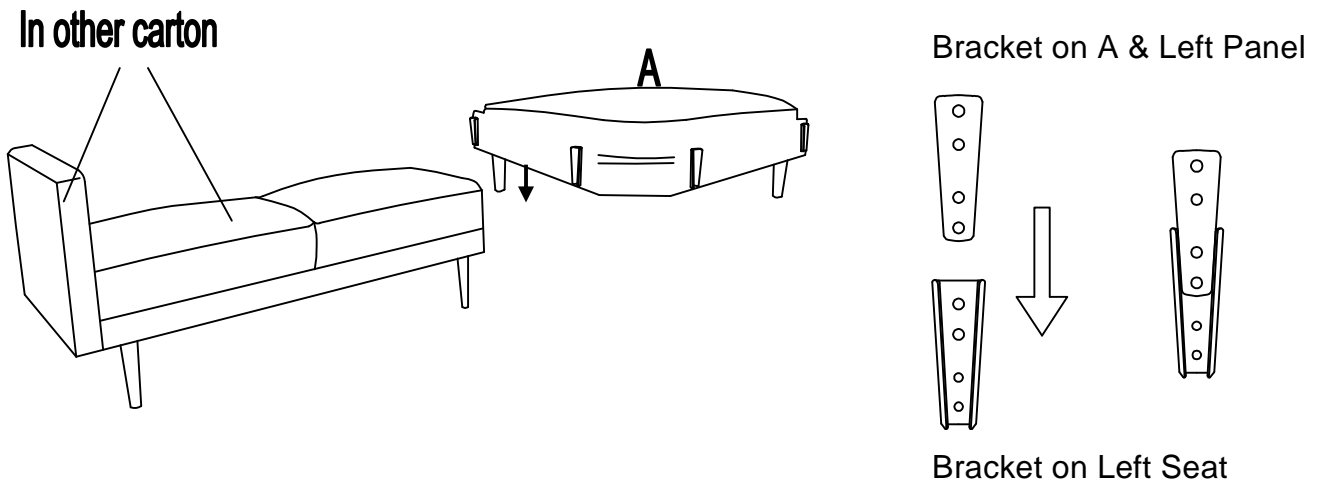
## U-Shape:



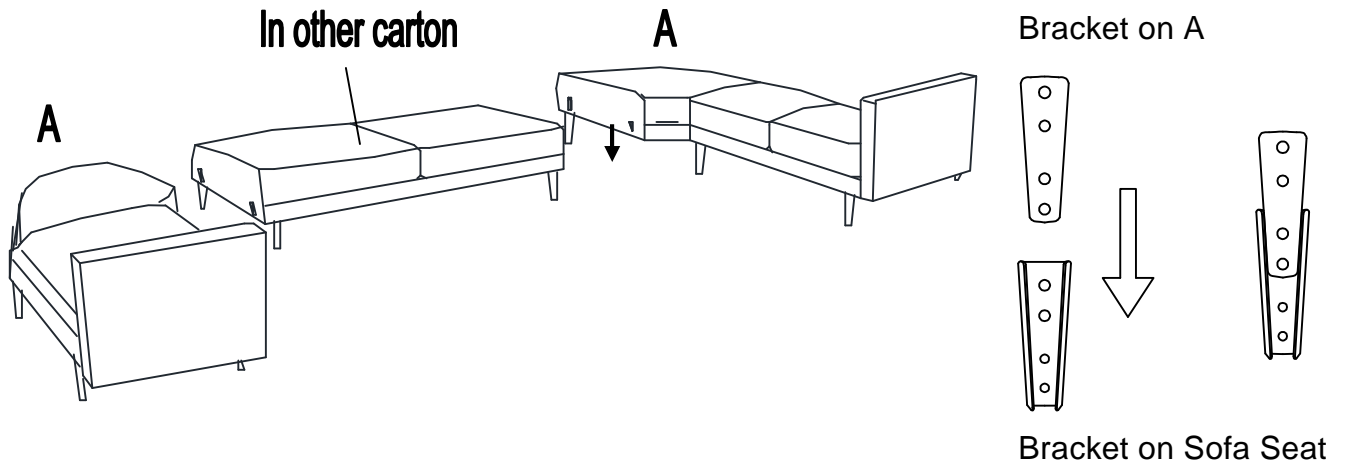
- 2** Hook on Right Panel and Seat (A) to Right Seat properly. (Right Seat and Right Panel are not in the Corner cartons.)



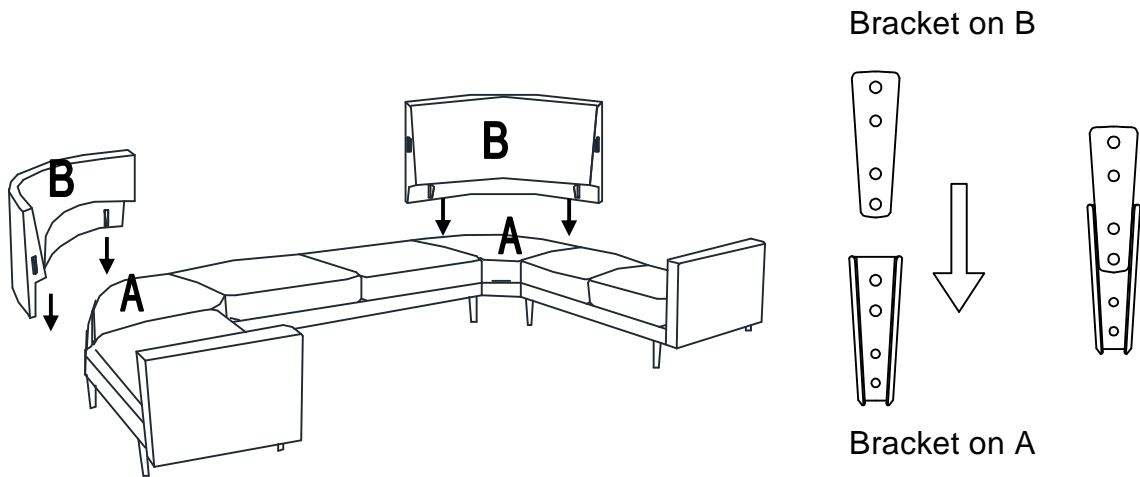
- 3** Hook on Left Panel and another Seat (A) to Left Seat properly. (Left Seat and Left Panel are not in the Corner cartons.)



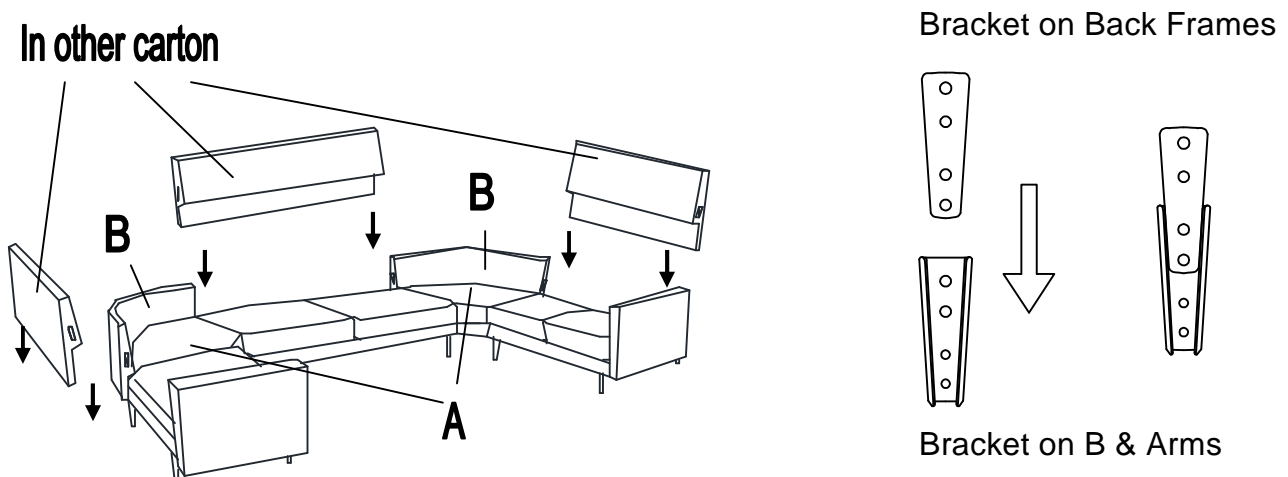
**4** Hook on Seat (A) to Sofa Seat properly. (Sofa Seat is not in the Corner cartons.)



**5** Hook on Back Frame (B) to Seat (A) properly.



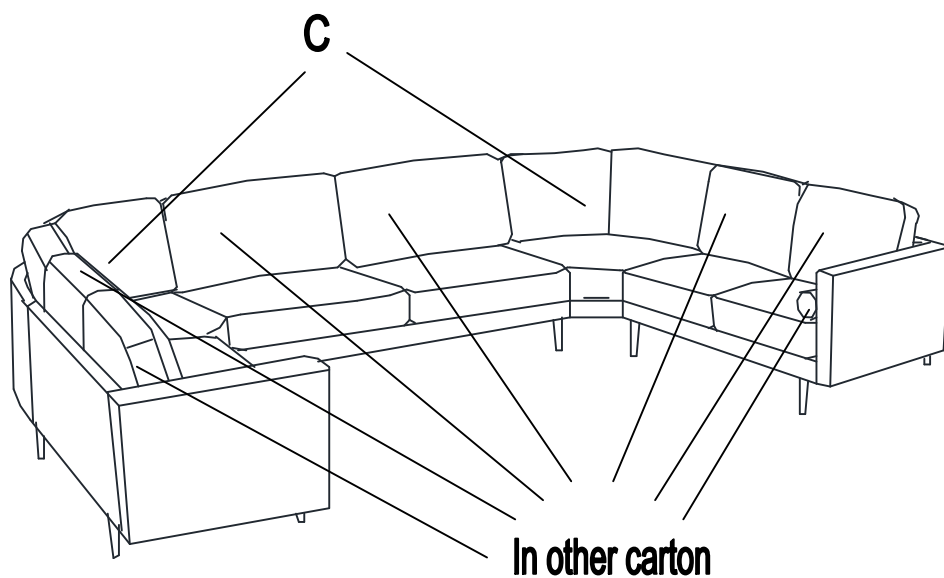
**6** Hook on Back Frames to Arms and Back Frame (B) as show. (Back Frames are not in the Corner cartons.)



---

**7**

Put the Back Cushion (C) and other Back Cushions & Pillows on Seat.



---

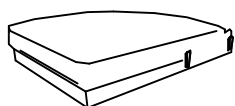
### **Cleaning & Care**

Treat surface with care. Surface is resistant to scratches but is not scratch resistant. Clean surfaces with a dry or damp soft cloth. Do not use abrasive cleaners. Hardware may loosen over time. Periodically check that all connections are tight.

# ASSEMBLY INSTRUCTION

## LEFT CHAISE

**A** Seat      **B** Back Frame      **C** Back Cushion      **D** Leg      **E** Bolt M8\*40mm



1pc



1pc



1pc



5pcs



10pcs

**F** Flat Washer M8      **G** Lock Washer M8      **H** Allen Wrench 30mm\*70mm



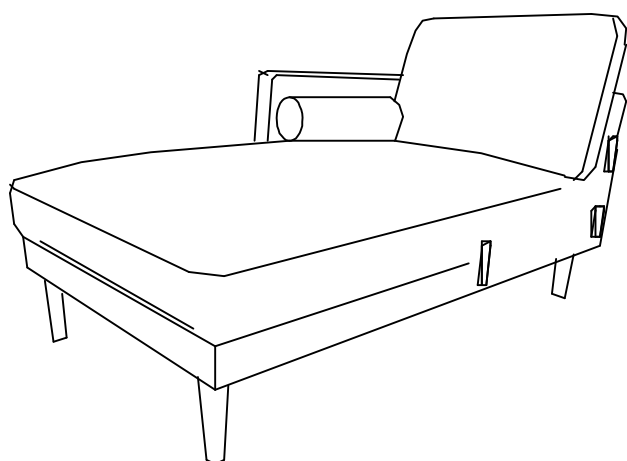
10pcs



10pcs

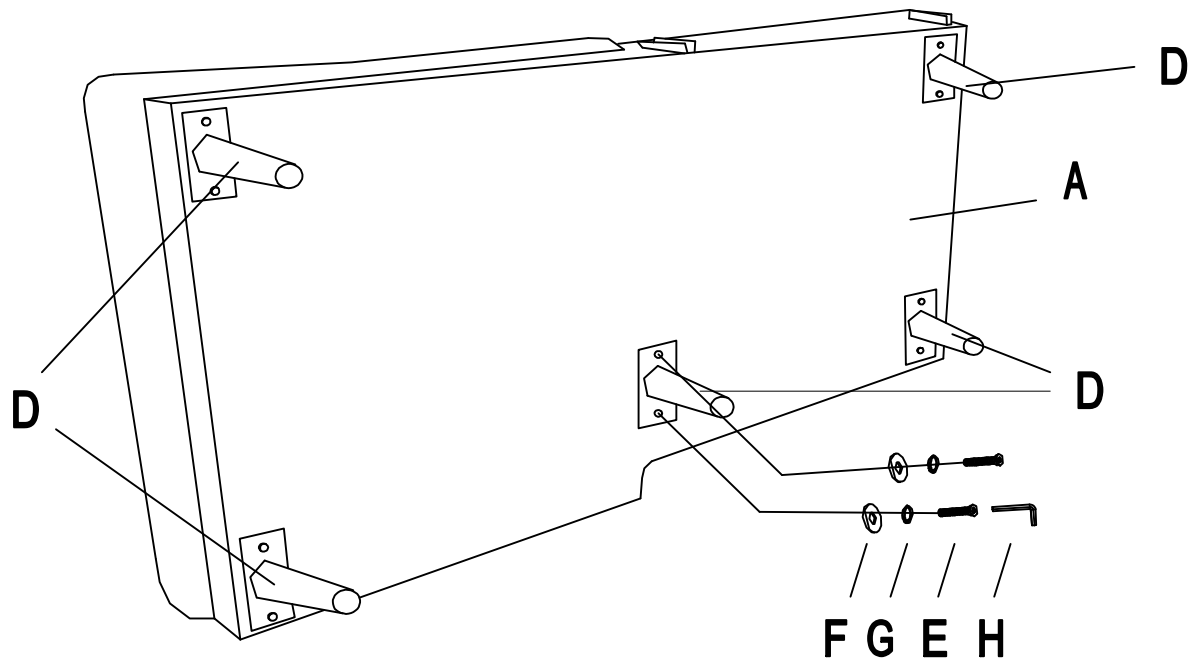


1pc

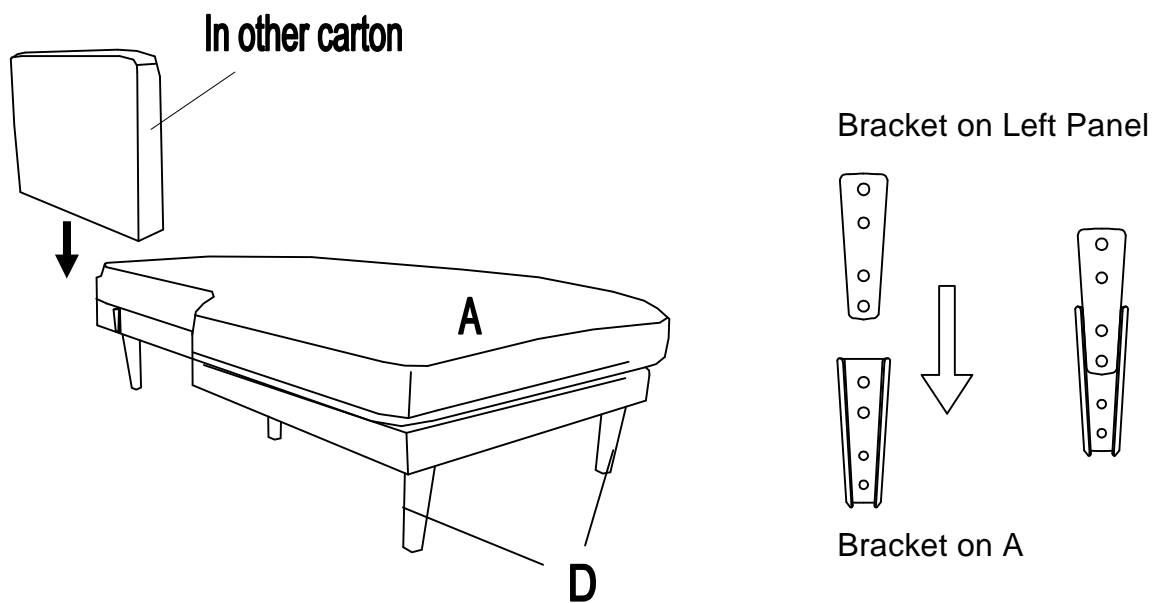


This page lists all the contents included in the box. Please take the time to identify the hardware as well as the individual components to this product. As you unpack and prepare for assembly, place the contents on a carpeted or padded area to protect them from damage.

- 1** Assemble Leg (D) to the bottom of Seat (A) with Bolt (E) & Flat Washer (F) & Lock Washer (G), then tighten with Allen Wrench (H).

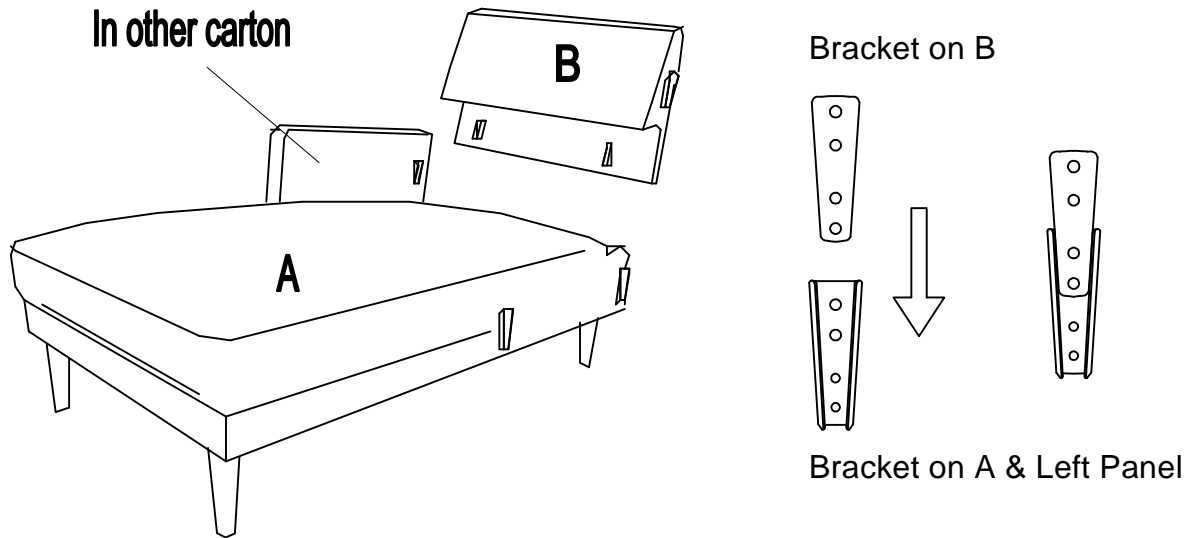


- 2** Hook the Left Panel to Seat (A) properly. (Left Panel is not in Chaise cartons.)

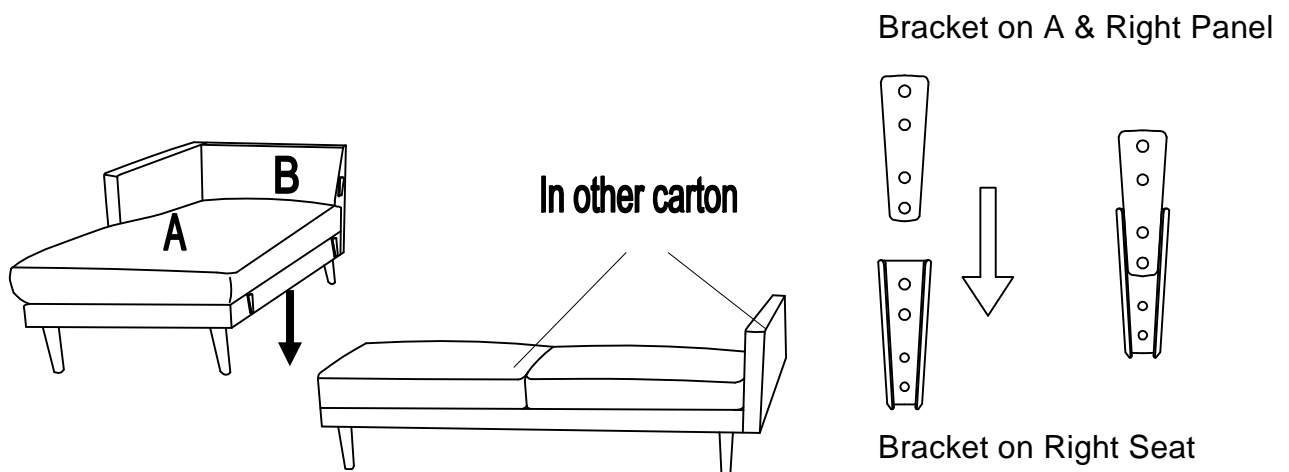




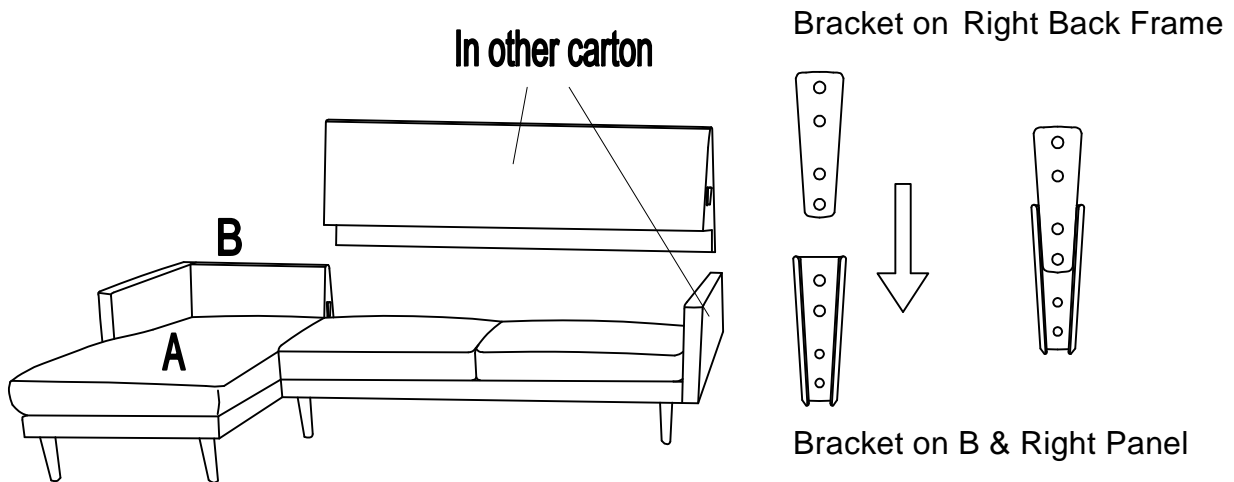
**3** Hook the Back Frame (B) to Seat (A) & Left Panel properly.  
(Left Panel is not in Chaise cartons.)



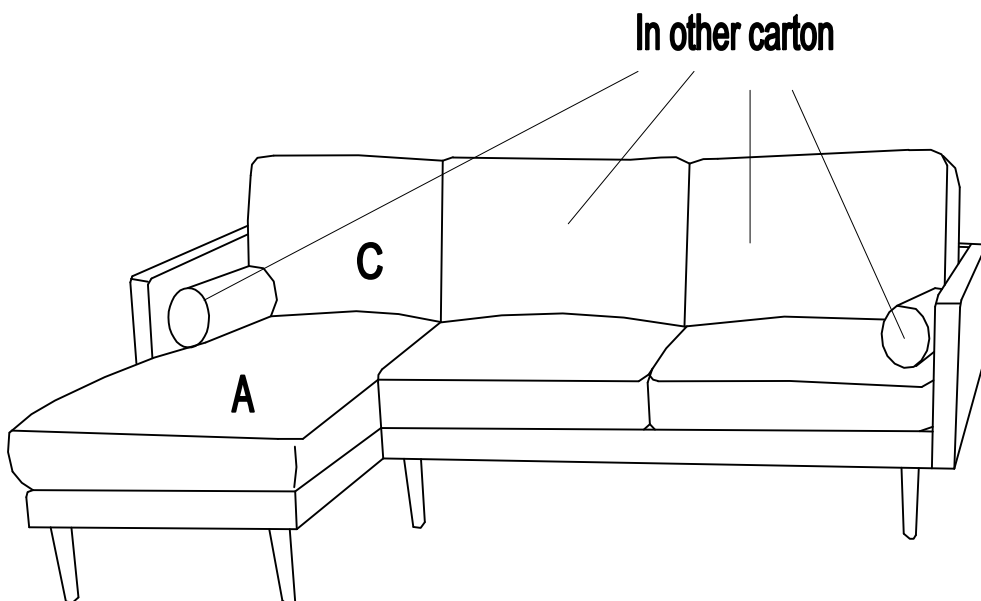
**4** Hook on Seat (A) and Right Panel to Right Seat properly.  
(Right Seat and Right Panel are not in the Chaise cartons.)



- 
- 5** Hook on Right Back Frame to Right Panel and Back Frame (B) properly. (Right Back Frame and Right Panel are not in the Chaise cartons.)



- 
- 6** Put the Back Cushion (C) and other Back Cushions & Pillows on Seat.



---

### Cleaning & Care

Treat surface with care. Surface is resistant to scratches but is not scratch resistant. Clean surfaces with a dry or damp soft cloth. Do not use abrasive cleaners. Hardware may loosen over time. Periodically check that all connections are tight.