



# Model(s)\_Z842X1-XL

AquaSpec® wall-mount pre-rinse faucet with 24" riser and 36" flexible hose

TAG \_\_\_\_\_

### Architectural/Engineering Specification:

Polished chrome plated cast brass 8" [203mm] pre-rinse faucet with quarter turn ceramic disc cartridges, 3/8" [10mm] short swivel inlets with check stops providing adjustable centers from 7-1/4" [184mm] to 8-3/4" [222mm] and 2-1/2" [64mm] vandal resistant color-coded metal lever handles. Unit is furnished with a 24" [610mm] riser, a 36" [914mm] stainless steel spring hose, a 1.6 GPM @ 60 psi (6.1 l/min. @ 400 kPa) self-closing pre-rinse hand held valve with an insulated handle, a stay open clip, a protective bumper spray head, a pipe support and a hook.

### SUFFIX OPTIONS:

-HS	Hose and Spray
-LSI	2-1/2" [64mm] Long Swivel Inlets with Integral Stops



### Product Compliance:

ADA  
ASME A112.18.1/CSA B125.1  
CSA B125.1

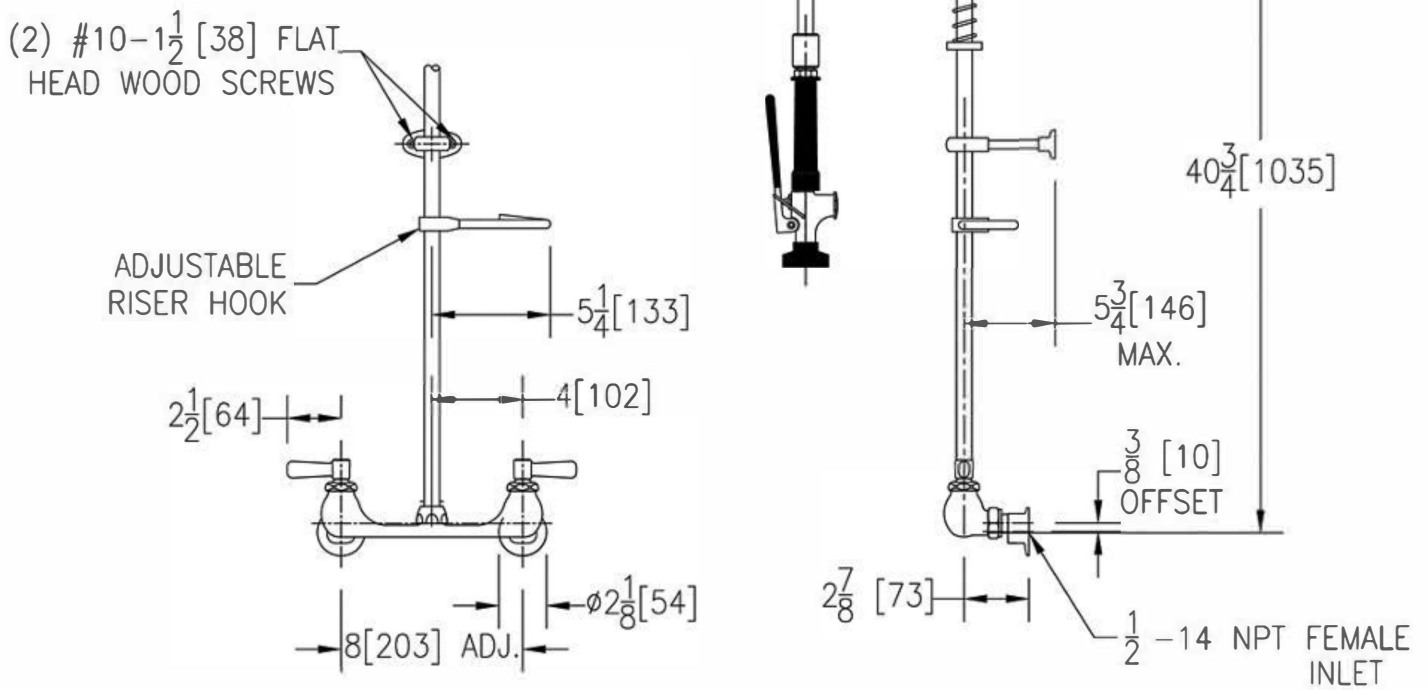
\*Complies with ADA & ICC A117.1 accessibility requirements when installed according to the requirements outlined in these standards.

*\*Although products with certain combinations of options and features will meet or comply with these standards and/or certifications, not every combination of options and features will result in such compliance. If you have any questions about your particular product, please contact our Customer Care Dept. at 1-855-ONE-ZURN (United States) or 1-877-892-5216 (Canada) for confirmation.*

Architectural/Engineering Approval

Design and dimensional data (inches and [mm]) are subject to manufacturing tolerances and change without notice.

⚠ WARNING: Cancer and Reproductive Harm - [www.P65warnings.ca.gov](http://www.P65warnings.ca.gov)  
⚠ ADVERTENCIA: Cáncer y daño reproductivo - [www.P65warnings.ca.gov](http://www.P65warnings.ca.gov)  
⚠ AVERTISSEMENT: Cancer et effets néfastes sur la reproduction - [www.P65warnings.ca.gov](http://www.P65warnings.ca.gov)



NOTE: All dimensions are for reference only. Do not use for pre-plumbing.

Design and dimensional data (inches and [mm]) are subject to manufacturing tolerances and change without notice.

⚠ WARNING: Cancer and Reproductive Harm - [www.P65warnings.ca.gov](http://www.P65warnings.ca.gov)  
 ⚠ ADVERTENCIA: Cáncer y daño reproductivo - [www.P65warnings.ca.gov](http://www.P65warnings.ca.gov)  
 ⚠ AVERTISSEMENT: Cancer et effets néfastes sur la reproduction - [www.P65warnings.ca.gov](http://www.P65warnings.ca.gov)