

TAC Select

Select Architectural LED Troffer

Product Description

The TAC Select Architectural LED Troffer is an economical lighting solution for commercial, educational, medical, and retail applications where general-purpose ambient lighting is required. With its contemporary center lens design, TACS provides a soft natural glow and even illumination that minimizes glare. The CCT Selectable design allows for easy adjustment to 3500K, 4000K, or 5000K and selectable wattage allows the ability to tailor the brightness to the space. Available in 1x4, 2x2, or 2x4 configurations, the TACS is an easy-to-install upgrade from linear fluorescent lighting to a long-lasting, energy-efficient LED solution.

Construction

- Durable steel construction with matte white powder coat finish
- High efficiency, maintenance-free LED chamber
- Smooth formed sides for safe handling

Optical System

- Precision engineered PMMA diffuser
- No visible diodes, hot-spots, or shadows providing high uniformity, and reduced glare
- 80CRI for good color definition in public spaces

Electrical

- Input voltage of 120-277VAC
- CCT and Output selector switches accessible on junction box
- Full-range dimming via 1-10VDC controls
- Power factor > 0.9
- THD < 20%
- Operating temperature range: -4°F to 104°F (-20° to 40°C)

Controls

- NLC (Network Lighting Controls) option available
- Bluetooth Low Energy (BLE) mesh network providing Luminaire Level Lighting Control
- Luminaire integrated BLE PIR/Daylight sensor (N1) available
- Configurable with the NICOR NLC app available on iOS and Android devices
- Provides full dimming control with occupancy and daylight harvesting functions

Mounting and installation

- Quick and easy single person installation
- Features an integral driver for easy installation
- Attached grid clip with wire-tie hole provided for seismic wire
- Certified for direct contact with insulation
- Surface mount installation with an optional adapter
- Drywall installation with an optional adaptor
- Emergency battery backup available
- For installations where power surge may be possible, NICOR recommends installing additional surge protection at the fixture or electrical distribution panel

Listings

- cULus1598 Listed for damp locations
- Certified for direct contact with insulation (IC)
- DLC 5.1 Premium listed
- RoHS Compliant
- Meets FCC Part 15, Subpart B, Class A standards for conducted and radiated emissions
- TM-21 Reported L70(9k) life >54,000 hours
- LM-79, LM-80 testing performed in accordance with IESNA standards

Project

Catalog

Type

Date



TACsv2
LED Architectural Troffer
1x4, 2x2, 2x4
Selectable CCT



Ordering

Ordering Information

Example: TACS224U

Series	CCT	Version	Size	Voltage	Controls	Emergency
TAC	S (Select: 35K, 4K, 5K)	2	14 (1' x 4')	U (120-277V)	Blank (none)	<BLANK>
			22 (2' x 2')		NI (NLC Controls)	E1 (EMB045)
			24 (2' x 4')			E2 (EMB080)

Specifications and dimensions subject to change without notice.

Accessories

accessories sold separately

Surface Mount Kit - 1'x 4' or 2'x2' or 2'x4'

SK14 | SK22 | SK24

Drywall Frame Kit - 1'x 4' or 2'x2' or 2'x4'

FK14 | FK22 | FK24

Recommended Dimmers*

Lutron NTSTV

Leviton IP710

Cooper SF10P

Legrand RH4FBL3PW

*Not a complete list. Check compatibility before installation.

NLC Controls

See www.nicorlighting/network-lighting-controls for more information and NLC Component Data Sheets

Performance Data

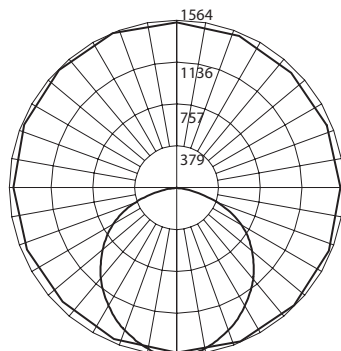
Performance Data					
Model	Output Setting	Nominal CCT	Lumens	Watts	Efficiency
TACS214U	Standard	3500	2741	20.5	133.7
		4000	2901	20.1	144.3
		5000	2767	20.2	137.0
	Medium	3500	3350	25.7	130.4
		4000	3546	25.0	141.8
		5000	3377	25.2	134.0
	High	3500	3931	30.7	128.0
		4000	4122	30.0	137.4
		5000	3982	30.3	131.4
TACS222U	Standard	3500	2729	20.4	133.8
		4000	2905	20.0	145.3
		5000	2755	20.1	137.1
	Medium	3500	3343	25.8	129.6
		4000	3536	25.1	140.9
		5000	3369	25.3	133.2
	High	3500	3904	30.6	127.6
		4000	4118	29.9	137.7
		5000	3955	30.2	131.0

Performance Data					
Model	Output Setting	Nominal CCT	Lumens	Watts	Efficiency
TACS224U	Standard	3500	4399	34.6	127.1
		4000	4620	33.9	136.3
		5000	4426	34.1	129.8
	Medium	3500	4807	37.9	126.8
		4000	5047	36.9	136.8
		5000	4836	37.2	130.0
High	3500	5478	43.4	126.2	
	4000	5752	42.5	135.3	
	5000	5511	42.9	128.5	

Photometric Data

TACS14 3500K, 30W

Input Voltage (VAC)	120-277
System Level Power (W)	30.7
Delivered Lumens (Lm)	3931
System Efficacy (Lm/W)	128.0
Correlated Color Temp (K)	3500K
Color Rendering Index (CRI)	80
Beam Angle	114.9°
Spacing Criteria	1.20



Intensity Summary (Candle Power)

Angle	Mean CP
0	1491
5	1475
15	1428
25	1294
35	1094
45	838
55	580
65	352
75	185
85	45
90	2

Cone of Light Tabulation

Mounted height (Feet)	Footcandles Beam Center	Diameter (Feet)
8	23.3	25.1
10	14.9	31.3
12	10.3	27.6
14	7.6	43.9

Zonal Lumen Summary

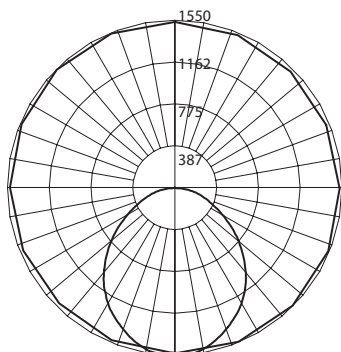
Zone	Lumens	% of Luminaire
0-30	1140	29%
0-40	1842	46.9%
0-60	3158	80.3%
0-90	3931	100%
90-180	0	0%
0-180	3931	100%

Fixture tested per LM-79-08. Photometric data is of the performance of a representative fixture. Results may vary in the field.

Photometric Data

TACS22 3500K, 30W

Input Voltage (VAC)	120-277
System Level Power (W)	30.6
Delivered Lumens (Lm)	3904
System Efficacy (Lm/W)	127.6
Correlated Color Temp (K)	3500K
Color Rendering Index (CRI)	80
Beam Angle	94°
Spacing Criteria	1.24



Intensity Summary (Candle Power)

Angle	Mean CP
0	1531
5	1524
15	1467
25	1305
35	1107
45	837
55	568
65	330
75	163
85	45
90	2

Cone of Light Tabulation

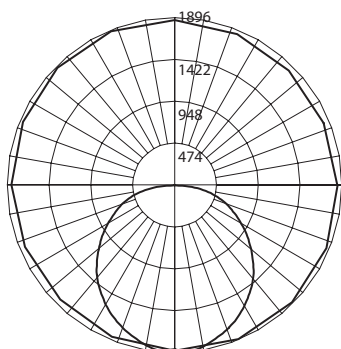
Mounted height (Feet)	Footcandles Beam Center	Diameter (Feet)
8	23.9	21.6
10	15.3	27.0
12	10.6	32.4
14	7.8	37.8

Zonal Lumen Summary

Zone	Lumens	% of Luminaire
0-30	1168	29.9%
0-40	1881	48.2%
0-60	3152	80.7%
0-90	3904	100%
90-180	0	0.0%
0-180	3904	100%

TACS24 3500K, 43W

Input Voltage (VAC)	120-277
System Level Power (W)	43.4
Delivered Lumens (Lm)	5478
System Efficacy (Lm/W)	126.2
Correlated Color Temp (K)	3500K
Color Rendering Index (CRI)	80
Beam Angle	117°
Spacing Criteria	1.22



Intensity Summary (Candle Power)

Angle	Mean CP
0	1864
5	1836
15	1771
25	1618
35	1418
45	1176
55	914
65	619
75	349
85	118
90	3

Cone of Light Tabulation

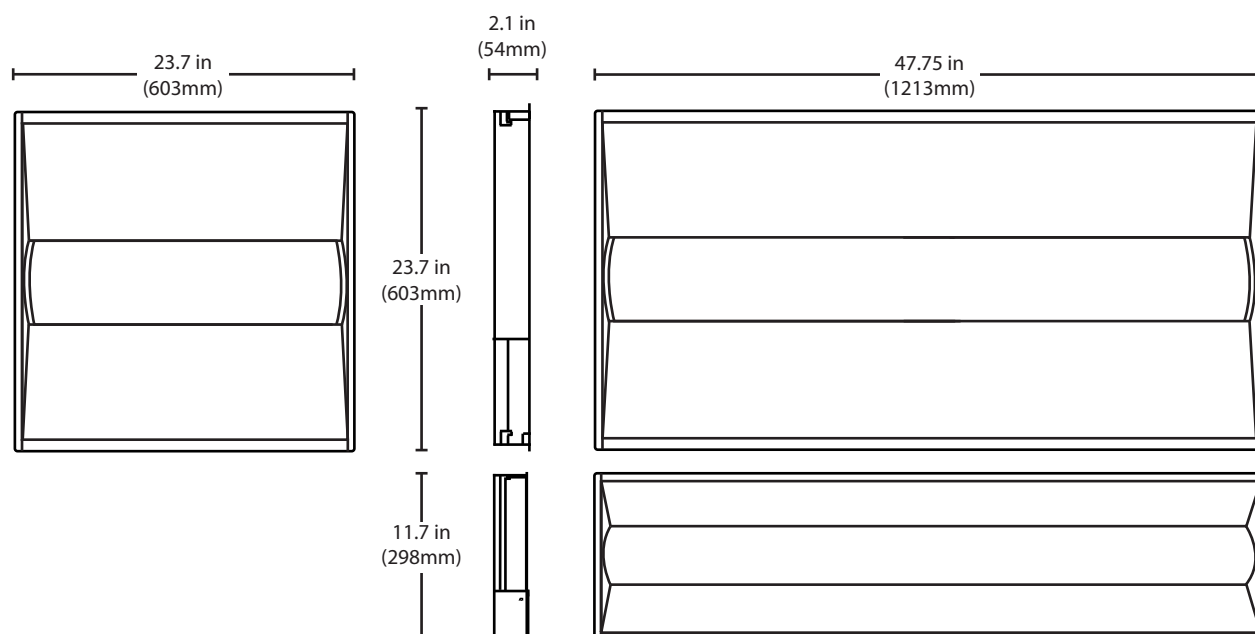
Mounted height (Feet)	Footcandles Beam Center	Diameter (Feet)
8	29.0	26.1
10	18.5	32.6
12	12.9	39.2
14	9.4	25.7

Zonal Lumen Summary

Zone	Lumens	% of Luminaire
0-30	1438	26.3%
0-40	2349	42.9%
0-60	4155	75.8%
0-90	5478	100%
90-180	0	0%
0-180	5478	100%

Fixture tested per LM-79-08. Photometric data is of the performance of a representative fixture. Results may vary in the field.

Dimensions



This device complies with part 15 of the FCC Rules. Operation is subject to the following two conditions: (1) This device may not cause harmful interference, and (2) this device must accept any interference received, including interference that may cause undesired operation.

NOTE: This equipment has been tested and found to comply with the limits for a Class A digital device, pursuant to part 15 of the FCC Rules. These limits are designed to provide reasonable protection against harmful interference when the equipment is operated in a commercial environment. This equipment generates, uses, and can radiate radio frequency energy and, if not installed and used in accordance with the instruction manual, may cause harmful interference to radio communications. Operation of this equipment in a residential area is likely to cause harmful interference in which case the user will be required to correct the interference at his own expense.