

# ASSEMBLY AND INSTALLATION INSTRUCTIONS

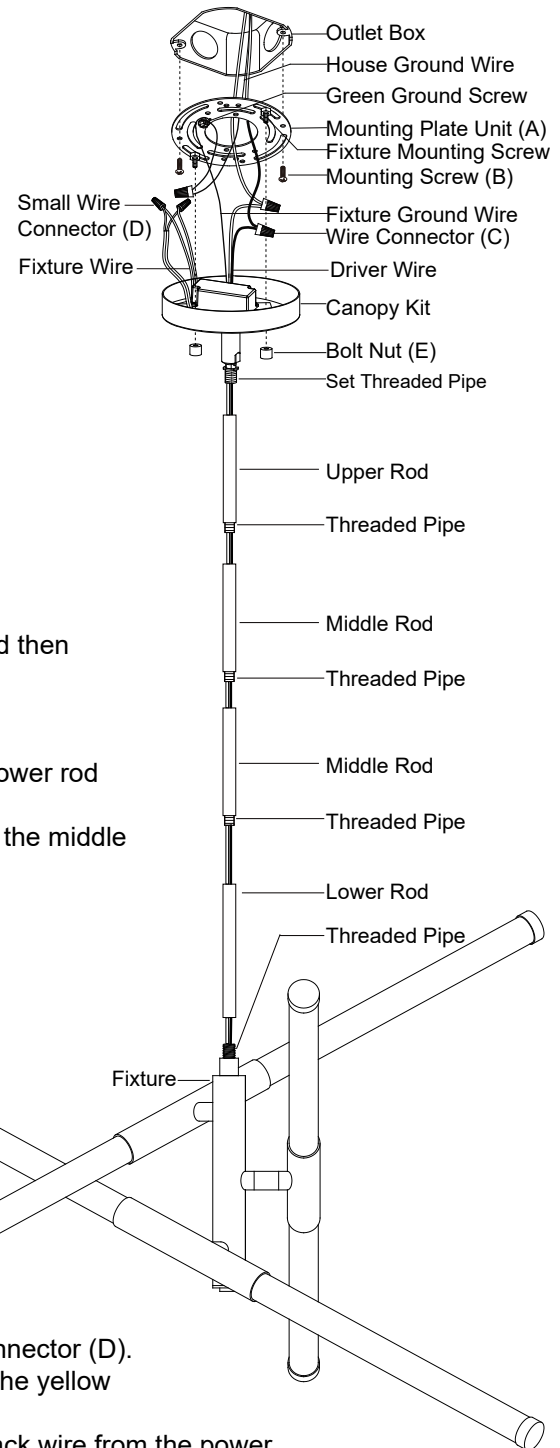
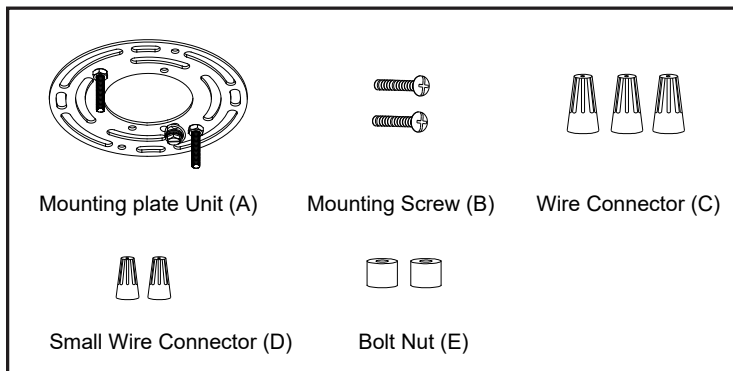
P0425 / P0426

**WARNING:** TO AVOID RISK OF ELECTRICAL SHOCK, BE SURE TO SHUT OFF POWER WHILE INSTALLING OR SERVICING THIS FIXTURE.

**NOTE:** 1. Before installing, consult local electrical codes for wiring and grounding requirements.

2. Read and save this instructions.

## Hardware Package (included):



## Installation Steps

Turn off the power at fuse or circuit box

1. Unscrew the bolt nuts (E), take out the mounting plate unit (A) and then attach to the outlet box by using two mounting screws (B).

2. Rod Connections:

- Thread the fixture wire through the lower rod, then secure the lower rod onto fixture using the threaded pipe.
- Thread the fixture wire through the middle rod and then secure the middle rod onto the lower rod using the threaded pipe.
- Thread the fixture wire through the upper rod, then secure the upper rod onto the middle rod using the threaded pipe.

**Note:** Length adjustable from 21-1/4" to 51-1/4".  
Use fewer rods if shorter length is desired.

3. Thread the fixture wire through the canopy kit, then secure the rod assembly to the set threaded pipe of the canopy kit.

4. Pull out the source wires from the outlet box. Make wire connections using wire connectors (C) and small wire connector (D) as follows:

- Connect the smooth-coated wire (marked) from the fixture to the red wire from the driver with the small wire connector (D).
- Connect the ribbed-coated wire (unmarked) from the fixture to the yellow wire from the driver with the small wire connector (D).
- Connect the hot wire (black insulation) from the driver to the black wire from the power source with the wire connector (C).
- Connect the neutral (white insulation) from the driver to the white wire from the power source with the wire connector (C).
- Attach the fixture ground wire (bare wire) to the mounting plate unit (A) with the green ground screw, then connect it to the house ground wire with the wire connector (C).

Carefully put the wires back into the outlet box.

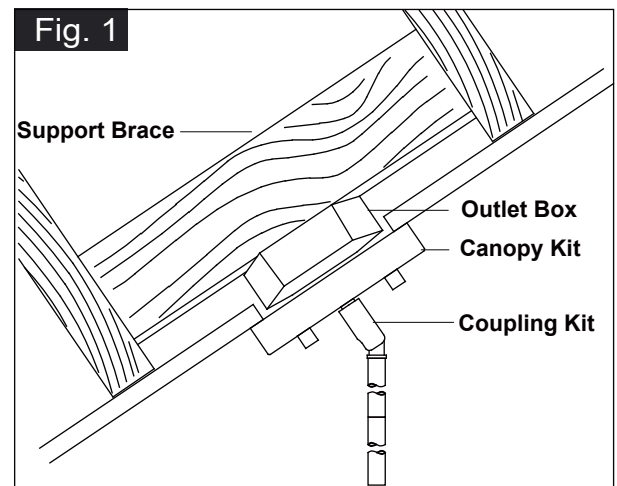
 VAXCEL

240423

5. Attach the canopy kit to the mounting plate unit (A) by inserting the fixture mounting screws, then secure it with two bolt nuts (E).
6. Separate and adjust the LED tubes to desired position.
7. Angled mounting recommended for a vaulted or angled ceiling.

**Turn on the power at fuse or circuit box**

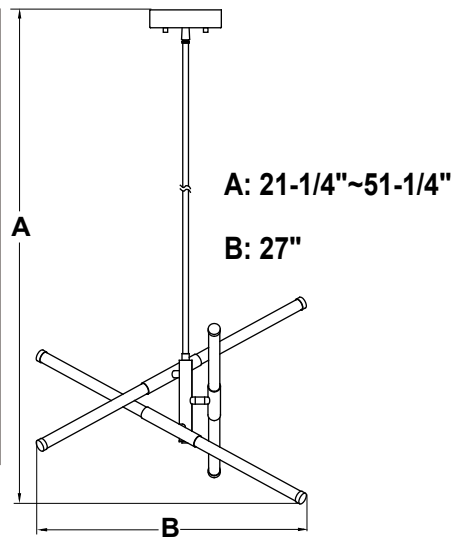
**Note: Dimming range: 100% full illumination to 10% of full illumination.**  
**This fixture is dimmable with a forward phase electronic dimmer. Dimmers tested to be compatible with this fixture are the Lutron: TGCL-153PH, MACL-153MH, SCL-153P, DVWCL-153PH.**  
**If you are unfamiliar with electrical installations, it is recommended you have a qualified electrician for your installations.**



The following parts are available for reorder if damaged or missing.

**Spare Parts List:**

Mounting plate Unit (A)	Mounting Screw (B)	Wire Connector (D)	Small Wire Connector (D)	Bolt Nut (E)
↓ Mounting Hardware 6856MM (1SET) for P0425 6857MM (1SET) for P0426				
	12" Rod 3378RD for P0425 3381RD for P0426	6" Rod 3379RD for P0425 3382RD for P0426		



### 5 Year Limited Warranty

Vaxcel warrants all of our products against defects in workmanship and finishes for one year following the date of shipment.

In addition:

- Any product with an integrated motion sensor or dusk-to-dawn photocell is supported by a 5-year warranty for the functionality of the product.
- Any product with integrated LED modules is covered by a 5-year warranty on the LED functionality.

*Exclusions: This warranty does not include the failure of products from extreme acts of nature; environmental conditions not suited for the products intended use; operation in temperatures outside of the range specified in the instruction manual; usage with improper power supply, power surges or dips. For coastal locations, some corrosion is considered normal for the environment.*

*Vaxcel reserves the right to repair, replace or issue a credit for any properly installed product, provided it is returned per RMA instruction. This warranty is limited to the cost of the product only and does not extend to transportation, installation or replacement costs.*

How can warranty service be obtained?  
 info@vaxcel.com  
 1-800-482-9235