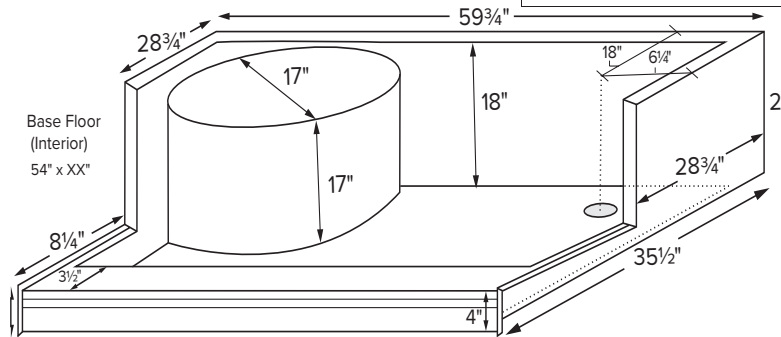




Shown above with right-hand drain.

**MTSB-6036Seated**

59.75" x 35.5" x 21.5" (exterior bottom of base)
LOW-PROFILE, SEATED THRESHOLD textured floor
End Drain
<b>Acrylic CXL®</b>
100 lbs / 45 kg



When ordering, please specify left- or right-hand drain.

Not for use in steam shower applications.

Model #	Size	Shape	MSRP
SB6036Seated	59.75" x 35.5" x 21.5"	Rectangle	<b>\$2,320</b>

Options <i>Must be ordered at time of purchase</i>
<b>Color</b> Please specify color on order White (CWH) Biscuit (CBS)
<b>Quick Ship (QSPRI) \$475</b> Reduces lead time. Please call for availability.
<b>Radiance® (RAD100) \$1,760</b> Shower floor heating system. Radiance heating grids are fully integrated within the acrylic shell structure of the shower floor. Requires a 110-volt, 15 amp GFCI and remote installation of control box & keypad.
<b>Pre-Levelled Foam Base (PLFSB) \$240</b>
<b>PVC Drain Kit Finishes</b> Chrome included with shower base Brushed Nickel upcharge (SBDKBN) <b>\$75</b>

Accessories
<b>Drain Kit</b> Solid Brass Drain Kit with Stainless Steel Cover (SBDKSB) <b>\$215</b>
<b>Teak Bath Mat (TKMAT3018) \$880</b> Measures 30" x 17.5" x 1" Custom sizes also available. Contact MTI for details.
<b>Teak Shower Tray (TK6036SEATED) Contact MTI for pricing</b>

**IMPORTANT ORDERING & INSTALLATION INFORMATION**

- Single, front threshold design with integrated seat.
- 3-sided integral tile flange to facilitate installation. Must specify drain hand on order.
- 3.5" drain opening pre-drilled.
- Drain finish options on this sheet are upcharge prices only. Contact MTI for ordering details for drain kits sold separately. Compliant with ASTM C 1028-07 coefficient of friction test.
- Add proper wet-bedding compound to fully support bottom of shower base. Optional factory installed Pre-Levelled Foam Base negates the need to wet bed when installing on a flat, level subfloor. See installation instructions.

• Options and accessories may be packaged inside the box. Always check packaging before discarding.  
• All product measurements are ±1/2".  
• Specifications and configurations are subject to change without notice.  
• Measurements herein supersede all others published prior to publication date below.

See the Installation & Operation Manual for more details.  
MTI's Customer Service: Monday-Friday 8am-6pm EST  
**800-783-8827** or [service@mtibaths.com](mailto:service@mtibaths.com)

CSA # MTSB-6036SEATED

©2025 by MTI Baths, Inc. Modification Rights Reserved

