



# Underscore® | K-5716-JH

66" x 36" drop-in heated whirlpool bath

## Features

- Eight Proflex® hydromassage jets can be individually adjusted for water flow and direction
- Single-speed whirlpool offers performance and value with 8 fully adjustable jets
- Built-in heater
- Slotted overflow allows for deep soaking
- Oval basin creates a spacious bathing experience
- Spacious design accommodates up to two bathers
- Wide ledge on one side is ideal for deck-mount faucet and/or handshower
- Integral lumbar support
- Textured bottom surface



## Available Colors/Finishes

*Color tiles intended for reference only.*

- 0 White
- 96 Biscuit
- 7 Black Black



1-800-4KOHLER (1-800-456-4537)  
Kohler Co. reserves the right to make revisions without notice to product specifications.  
For the most current specification sheet, go to [www.kohler.com](http://www.kohler.com) USA or [www.kohler.ca](http://www.kohler.ca) Canada.  
5-12-2026 21:19 - US-CA

THE BOLD LOOK  
OF **KOHLER**

## Codes/Standards

ASME A112.19.7/CSA B45.10  
 CSA B45.5/IAPMO Z124  
 ASTM E162  
 ASTM E662  
 UL 1795  
 CSA C22.2 No. 218.2  
 cUL Listed  
 UL Listed

## Technical Information

*All product dimensions are nominal.*

Drain Location:	Center
Drain Hole Diameter:	2-1/4" (57 mm)
Basin Area, Bottom:	46-5/16" x 25-3/8" (1177 mm x 644 mm)
Basin Area, Top:	64-15/16" x 29-5/16" (1649 mm x 744 mm)
Water Depth:	17-7/16" (442 mm)
Water Capacity:	84.55 gal (320.1 L)
Minimum Floor Load:	54.8 lbs/ft <sup>2</sup>
Weight:	93 lbs (42.2 kg)

## Material

- Acrylic

## Recommended Products/Accessories

- K-1491 Bath/whirlpool pillow, removable
- K-1601 Bath/whirlpool footstop, removable
- K-1177 Tiling-in bead, 144" length
- K-883 Undermount installation kit

## Required Products/Accessories

- K-7271 Slotted overflow brass bath drain
- or
- K-7272 Slotted overflow bath drain

## Required Electrical Service

Two dedicated circuits required, protected with Class A Ground-Fault Circuit-Interrupter (GFCI). Outside North America, this device may be known as a Residual Current Device (RCD).

Pump:	120 V, 15 A
Heater:	120 V, 15 A, 60 Hz

## Electrical Component Ratings

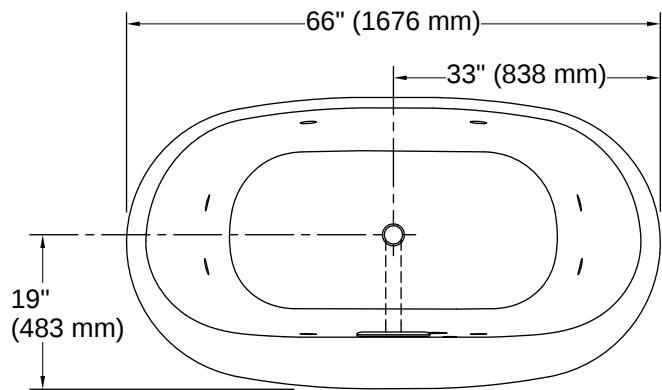
Pump:	120 V, 7 A, 60 Hz
Heater:	120 V, 12 A, 60 Hz

## Warranty

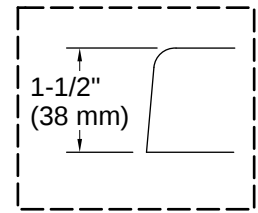
*See website for detailed warranty information.*

KOHLER® Plastic Baths and Shower Bases Lifetime Limited Warranty|KOHLER® Hydrotherapy Components Five-Year Limited Warranty



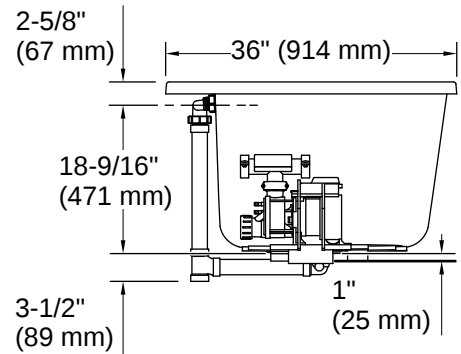
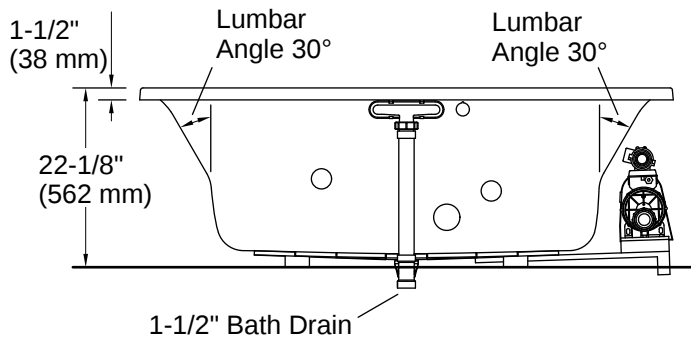


No change in measurements if connected with drain illustrated. (K-7272)



**Drop-in Rim Detail**

**Blower Motor Access**  
20" (508 mm) W x 15" (381 mm) H Min



## Installation

- Drop-in or undermount
- Center drain
- Requires Clearflo slotted overflow bath drain (sold separately)

## Installation Notes

*Install this product according to the installation instructions.*

Measure your actual product for rough-in details.

The hot water supply should be 70% of the capacity of the bath or greater. Installations will vary.

