



# Mariposa® | K-1239-RA

60" x 36" alcove whirlpool, right drain and adjustable jets

## Features

- 60"L x 36"W x 20"H
- Extra width enhances comfort
- Five adjustable ProFlex® whirlpool jets for maximum bather comfort
- Innovative technology enables this pump to provide a strong, steady level of hydromassage
- Integral apron for easy alcove installation and pump access
- Includes integral flange to simplify installation and prevent the possibility of water damage behind the wall
- Textured bottom surface



## Available Colors/Finishes

*Color tiles intended for reference only.*

- 0 White



## Codes/Standards

ASME A112.19.7/CSA B45.10  
 CSA B45.5/IAPMO Z124  
 ASTM E162  
 ASTM E662  
 UL 1795  
 UL Listed

## Technical Information

*All product dimensions are nominal.*

Drain Location:	Right
Drain Hole Diameter:	2-1/4" (57 mm)
Basin Area, Bottom:	46" x 24" (1168 mm x 610 mm)
Basin Area, Top:	54" x 27" (1372 mm x 686 mm)
Water Depth:	14" (356 mm)
Water Capacity:	63 gal (238.5 L)
Minimum Floor Load:	44 lbs/ft <sup>2</sup>
Weight:	105 lbs (47.6 kg)

## Material

- Acrylic

## Recommended Products/Accessories

K-23726 Drain treatment  
 K-23732 Tub & shower cleaner  
 K-7213 Cable bath drain with PVC tubing  
 K-7214 Cable bath drain, less PVC tubing  
 K-7265 Brass toe tap bath drain  
 K-7259 Brass toe tap bath drain

## Required Products/Accessories

- K-T37392 Rotary-turn bath drain trim
  - K-T37391 Rotary-turn bath drain trim
- or
- K-78438 30" cable bath drain
  - K-37383 Rough-in cable bath drain, PVC, 30" cable with tubing
- or
- K-78439 45" cable bath drain
  - K-37385 Rough-in cable drain, PVC, 45" cable, less horizontal tube

## Required Electrical Service

One dedicated circuit required, protected with Class A Ground-Fault Circuit-Interrupter (GFCI). Outside North America, this device may be known as a Residual Current Device (RCD).

Pump: 120 V, 15 A, 60 Hz

## Electrical Component Ratings

Pump: 120 V, 7.5 A, 60 Hz

Number of Speeds: Single

## Warranty

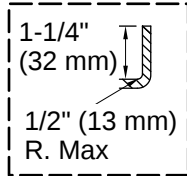
*See website for detailed warranty information.*

KOHLER® Plastic Baths and Shower Bases Lifetime Limited Warranty|KOHLER® Hydrotherapy Components Five-Year Limited Warranty

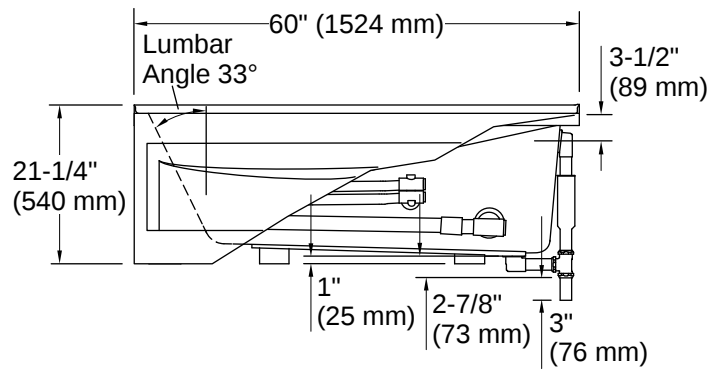
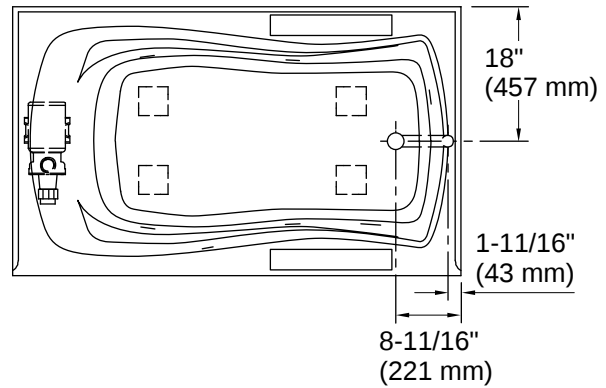
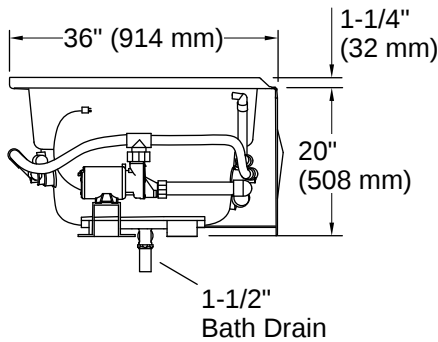


No change in measurements if connected with drain illustrated. (K-7161-AF)

 Recommended Faucet Location



Integral Flange Detail



## Installation

- Alcove

## Installation Notes

*Install this product according to the installation instructions.*

Measure your actual product for rough-in details.

The hot water supply should be 70% of the capacity of the bath or greater. Installations will vary.

If installing a rim-mount faucet, make sure there is no interference with drain overflow before drilling any holes. Consult local and national codes for minimum air gap requirements if installing a spout on the faucet deck.

