

Pool Breakdown

Samoan 21'x41' Oval 52"

NB1651

<p><u>FEATURES:</u> Oval Size: 21x41q Depth: 52+ 30 Year Warranty</p>	<p><u>STRUCTURE COMPOSITION:</u> Rugged Steel Frame Polymer Seat Caps Protective Wall Coatings</p>
--	--

	Qty	Carton #	Carton Content Description
<input type="checkbox"/>	1	412152-8BN-EX-2	SAMOAN . 8 INCH TOP SEAT; 8 INCH VERTICAL; INSTRUCTIONS; PAPERWORK
<input type="checkbox"/>	1	4121-8P-EX-3	SAMOAN . 7 IN JOINTS, UPPER & LOWER; 8 IN SEAT COVER; 8 IN SEAT COVER BRACKET; 8 IN SIDE SEAT COVER; RESIN SIDE UPPER JOINT; SIDE LOWER RAIL JOINT; SEAT COVER ASSEMBLY BOLT PACKAGE
<input type="checkbox"/>	1	4121-5/8RAIL-2	SAMOAN . 5/8 INCH RAIL
<input type="checkbox"/>	1	412152-RG11-EX-A	SAMOAN . SIDE VERTICAL; BRACE; HORIZONTAL SUPPORT; STRAPS; OVAL FRAME BOLT PACKAGE; PRESSURE PLATE
<input type="checkbox"/>	1	412152-SNS-W	SAMOAN . WALL (SUNSET GREY PATTERN); PLASTIC EDGING; 52+WALL JOINT PACKAGE

Carton Breakdown

Samoan 21'x41' Oval 52"

NB1651

Key #	Qty	Item #	Mfg Part #	Part Description	
FRAME CARTON # 412152-8BN-EX-2					
<input type="checkbox"/>	1	14	NBP1045	2384	8in Vertical (52+High)
<input type="checkbox"/>	6	22	NBP1044	1184	8in Top Seat L=1444mm (56-7/8+)
<input type="checkbox"/>	---	1	-----	0022	Warranty
<input type="checkbox"/>	---	1	-----	0023	Safety Decals
<input type="checkbox"/>	---	1	-----	0024	Parts List + Frame Instruction
<input type="checkbox"/>	---	1	-----	0025	Safety Booklet
RAIL CARTON # 4121-5/8RAIL-2					
<input type="checkbox"/>	4	44	NBP1056	1621	5/8in Rail L=1431mm (56-3/8+)
FRAME CARTON # 41218P-EX-3					
<input type="checkbox"/>	2	14	NBP1061	2176	7in Resin Joint - Upper
<input type="checkbox"/>	7	14	NBP1047	2483	8in Seat Cover Bracket
<input type="checkbox"/>	8	14	NBP1046	2482	8in Seat Cover
<input type="checkbox"/>	10	14	NBP1062	2276	7in Resin Joint - Lower
<input type="checkbox"/>	13	8	NBP1048	3474	8in Side Seat Cover
<input type="checkbox"/>	16	8	NBP1070	3234	5/8in Side Lower Rail Joint
<input type="checkbox"/>	19	8	NBP1004	3177	Resin Side Upper Joint
Seat Cover Assembly Bolt Package (Part # 3318 / Order # NBP1032)					
<input type="checkbox"/>	3	232	NBP1032	0341*	#12 Sheet Metal Screw
<input type="checkbox"/>	3	22	NBP1032	2402*	Resin Seat Cover Cap

*These part #s are not available to purchase separately. They must be purchased as the Seat Cover Assembly Bolt Package, Order # NBP1032

Carton Breakdown

Samoan 21'x41' Oval 52"

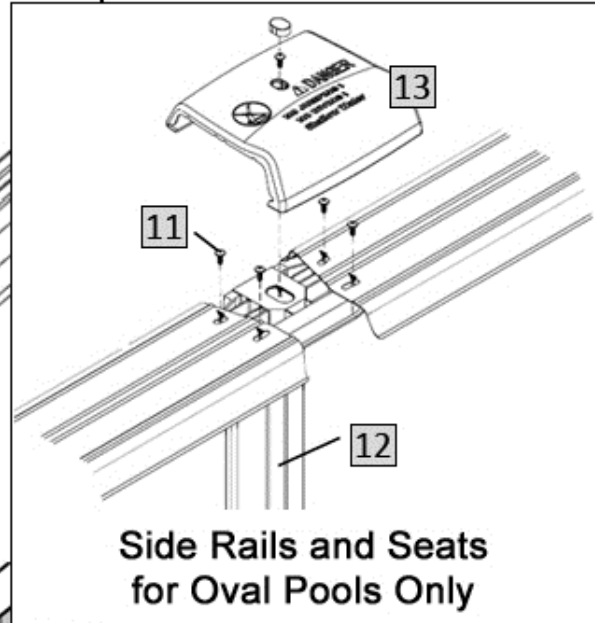
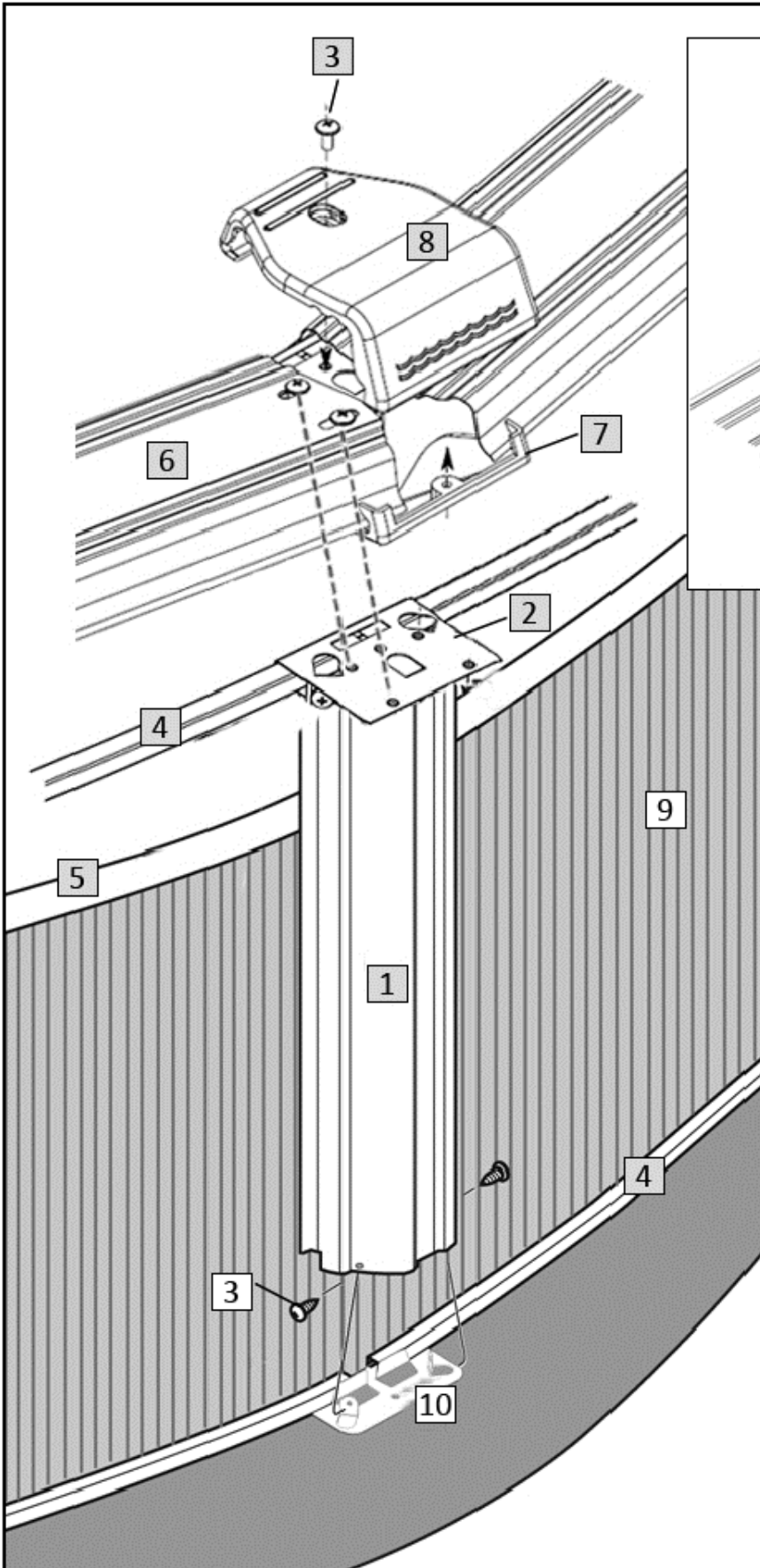
NB1651

Key #	Qty	Item #	Mfg Part #	Part Description	
FRAME CARTON # 412152-RG11-EX-A					
<input type="checkbox"/>	12	8	NBP1006	3314	Side Vertical
<input type="checkbox"/>	14	8	NBP1209	4106	Brace
<input type="checkbox"/>	15	8	NBP1210	5239	Horizontal Support
<input type="checkbox"/>	17	12	NBP1016	7285	Middle Strap L=1287mm (50-5/8+)
<input type="checkbox"/>	17	8	NBP1012	7224	End Strap L=1400mm (55-1/8+)
<input type="checkbox"/>	18	8	NBP1011	6254	Pressure Plate L=680mm (26-3/4+)
<input type="checkbox"/>	---	1	-----	-----	Braced Oval Pool Instructions
Braced Oval Frame Bolt Package (Part # 0104 / Order # NBP1000) QTY 4					
<input type="checkbox"/>	11	13	NBP1000	0923*	M8 x 20 Hex Head Bolt
<input type="checkbox"/>	11	13	NBP1000	0423*	10.5mm x 21mm x 2.0mm Plain Washer
<input type="checkbox"/>	11	13	NBP1000	0623*	M8 Nut
<input type="checkbox"/>	11	8	NBP1000	0341*	#12 Sheet Metal Screw
Strap Bolt Package (Part # 0105 / Order # NBP1001) QTY 2					
<input type="checkbox"/>	11	22	NBP1001	0623*	M8 Nut
<input type="checkbox"/>	11	22	NBP1001	0923*	M8 x 20 Hex Head Bolt
Strap Bolt Package (Part # 0106 / Order # NBP1002) QTY 3					
<input type="checkbox"/>	11	27	NBP1002	0623*	M8 Nut
<input type="checkbox"/>	11	27	NBP1002	0923*	M8 x 20 Hex Head Bolt
WALL CARTON # 412152-SNS-W					
<input type="checkbox"/>	5	25	NL107	8100	Plastic Edging
<input type="checkbox"/>	9	1	PC5117	52+Wall	Sunset Grey Wall
Wall Joint Bolt Package (Part # 0113 / Order # NBP1021)					
<input type="checkbox"/>	3	26	NBP1021	0513*	¼+x ½+Truss Head Screw
<input type="checkbox"/>	3	51	NBP1021	0411*	¼+Reinforcing Washer
<input type="checkbox"/>	3	26	NBP1021	0611*	¼+Nut

*These part #s are not available to purchase separately. They must be purchased as part of corresponding Bolt Package.

Samoaan 21'x41' Oval 52"

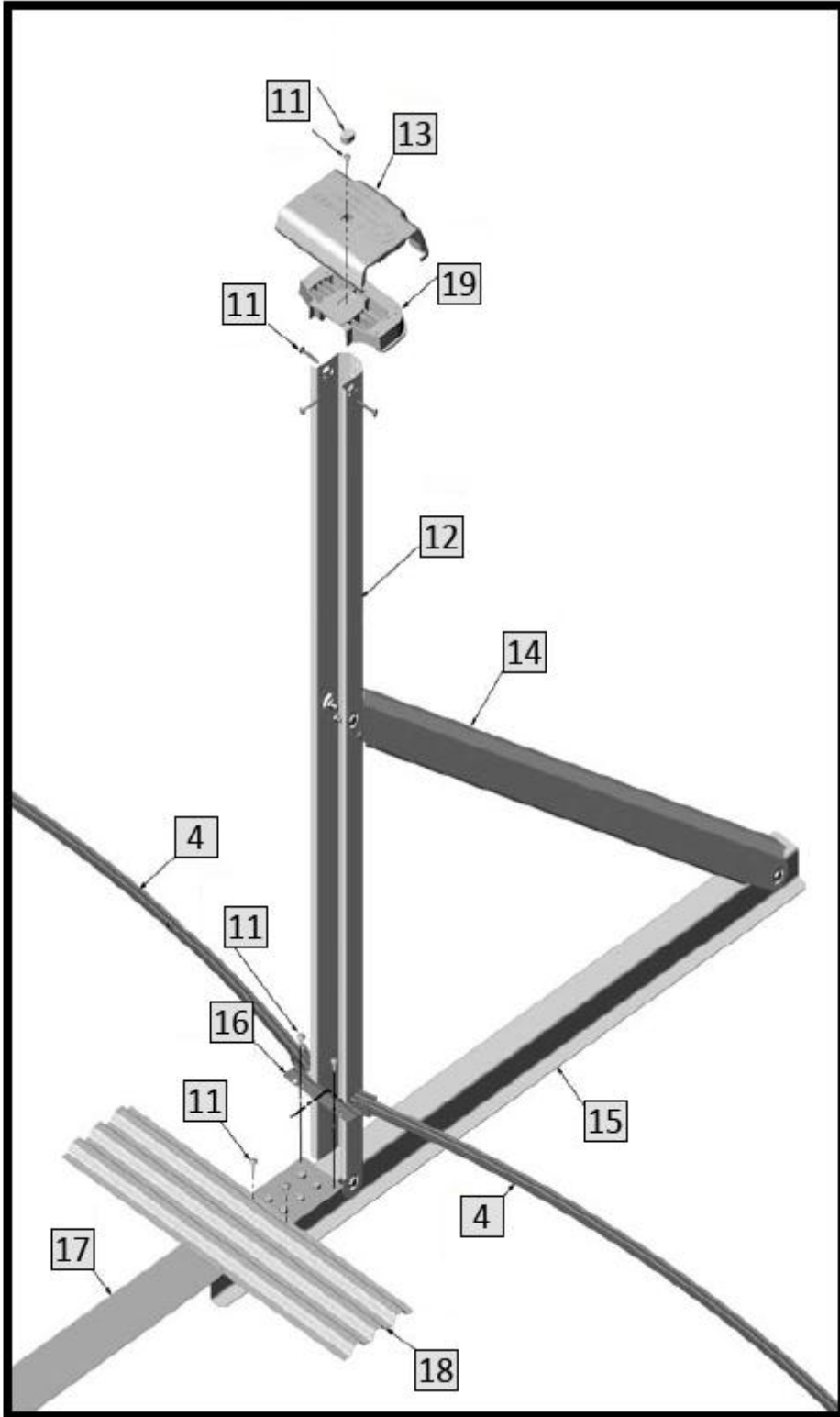
NB1651



Key #	Part Description	Item #
1	8in Vertical	NBP1045
2	Resin Upper Joint	NBP1061
3	Seat Cover Hardware	NBP1032
3	Wall Joint Hardware	NBP1021
4	5/8+Rail	NBP1056
5	Plastic Edging	NL107
6	8in Top Seat	NBP1044
7	8in Seat Cover Brckt.	NBP1047
8	8in Seat Cover	NBP1046
9	Wall	PC5117
10	Resin Lower Joint	NBP1062
11	Braced Oval Frame Bolt Hardware	NBP1000
12	8in Side Vertical	NBP1006
13	8in Side Seat Cover	NBP1048

Samoaan 21'x41' Oval 52"

NB1651



Key #	Part Description	Item #
4	5/8+Rail	NBP1056
11	Braced Oval Frame Bolt Hardware	NBP1000
11	Strap Bolt Hrdwr.	NBP1001
11	Strap Bolt Hrdwr.	NBP1002
12	8in Side Vertical	NBP1006
13	8in Side Seat Cover	NBP1048
14	Brace	NBP1209
15	Horizontal Support	NBP1210
16	Side Lower Rail Joint	NBP1070
17	Middle Strap	NBP1016
17	End Strap	NBP1012
18	Pressure Plate	NBP1011
19	Resin Side Upper Joint	NBP1004