



Manufactured by:
 Backyard Discovery
 3305 Airport Drive, Pittsburg, KS 66762
 800-856-4445

Basepoint Business Centre: Rivermead Drive, Westlea, Swindon SN5 7EX Phone: 0800-118-2476
 J.P. Coenstraat 7, The Bridge, The Hague, 2595 WP, Netherlands Phone: 08005678990

ROCKPORT STEEL GRILL GAZEBO

MODEL # : 2306011



Please visit www.backyarddiscovery.com
 For the most up to date assembly manual, to register your product, or to order replacement parts *Para obtener instrucciones en español, visite* www.backyarddiscovery.com



EASY STEP-BY-STEP
 3D INTERACTIVE INSTRUCTIONS
 DOWNLOAD THE FREE APP



INSTALLATION SERVICES AVAILABLE!
 See inside for details

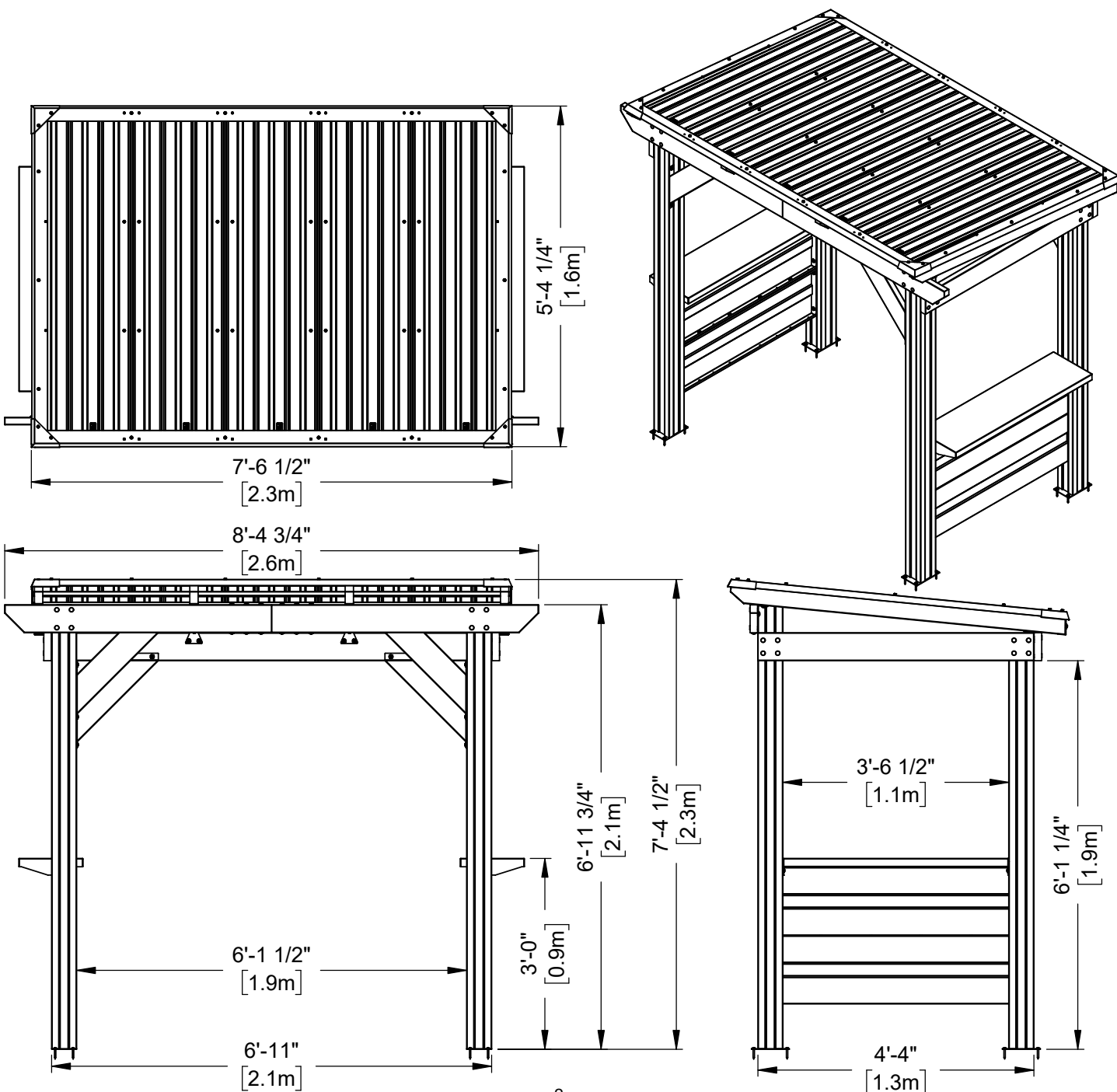
OWNER'S MANUAL - BASIC SETUP DIMENSIONS & ASSEMBLY NOTES

It is critically important that you start with square and level footings, concrete pad or deck to attach your structure

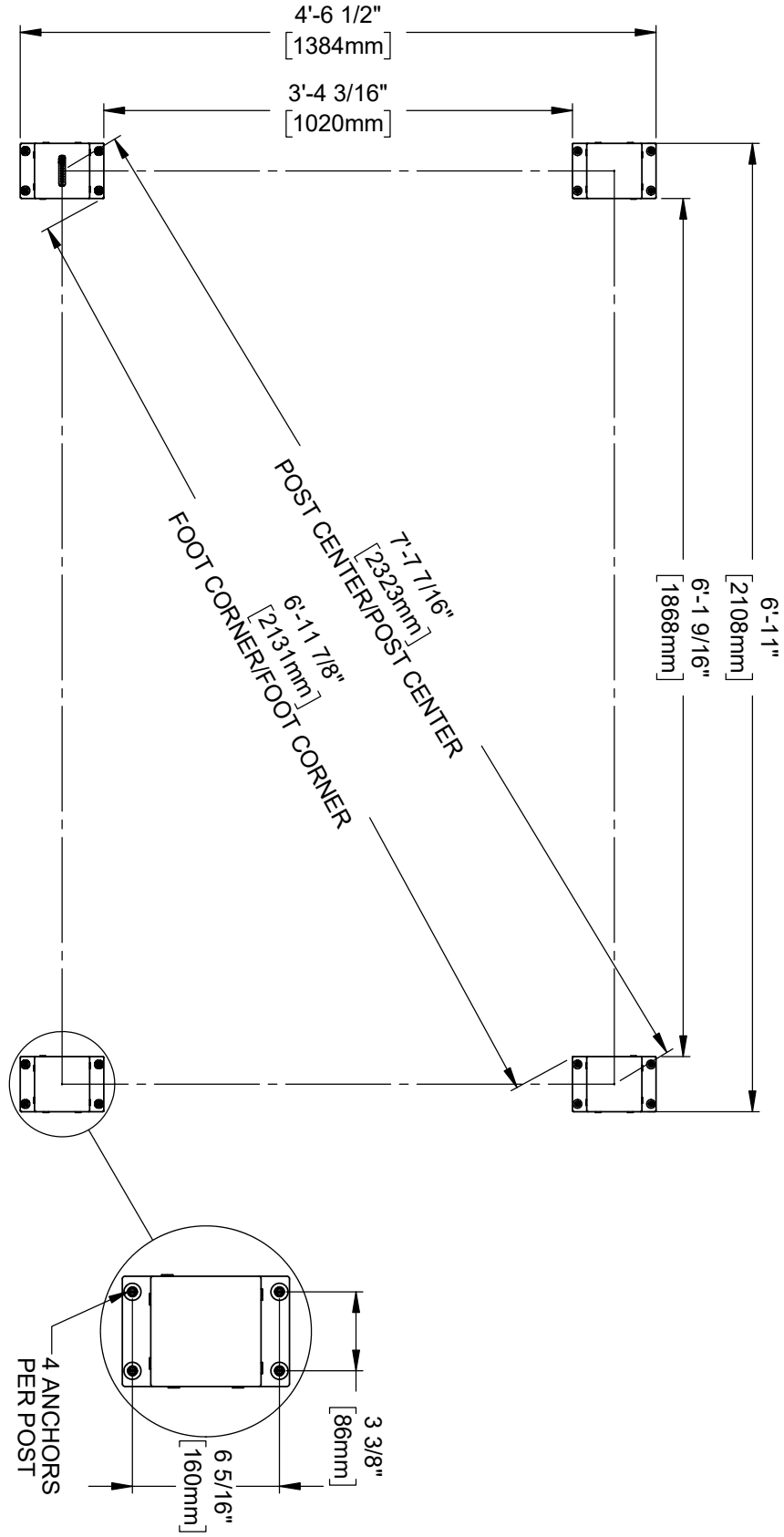
- Pay close attention to the items needed for each step. Make sure you are using the correct hardware for each step. Using incorrect hardware may result in improper assembly
- Remember to double check for underground utilities and overhead electrical lines

Post mounts are provided with your structure which allows you to permanently install your structure to a pre-existing or new wood or concrete surface. See Anchor Instructions for further details and recommendations.

- The hardware to attach the post mounts to the structure is included.
- The hardware to mount the structure permanently to a concrete surface is included.
- The hardware to mount the structure permanently to a wood deck is NOT included and will need to be purchased separately. You must ensure there is ample structural support under the deck before permanently attaching.



OWNER'S MANUAL - ANCHORING LAYOUT



OWNER'S MANUAL - PARTS IDENTIFICATION

METAL COMPONENTS (NOT TO SCALE)



A1 POST FRONT - A4M01627
(x1) 4 3/4"x7 3/16"x83 13/16" (120x182x2130)



A2 POST FRONT - A4M01628
(x1) 4 3/4"x7 3/16"x83 13/16" (120x182x2130)



B1 POST REAR - A4M01629
(x1) 4 3/4"x7 3/16"x78 9/16" (120x182x1996)



B2 POST REAR - A4M01630
(x1) 4 3/4"x7 3/16"x78 9/16" (120x182x1996)



B3 SIDE BEAM - A4M01633
(x2) 1 7/16"x5 1/4"x52 1/16" (36x134x1322)



B4 BACK BEAM - A4M01634
(x1) 1 7/16"x5 1/4"x85 15/16" (36x134x2183)



C1 FRONT BEAM - A4M01631
(x1) 1 7/16"x5 1/4"x50 5/16" (36x134x1278)



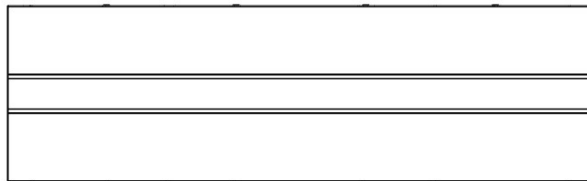
C2 FRONT BEAM - A4M01632
(x1) 1 7/16"x5 1/4"x50 5/16" (36x134x1278)



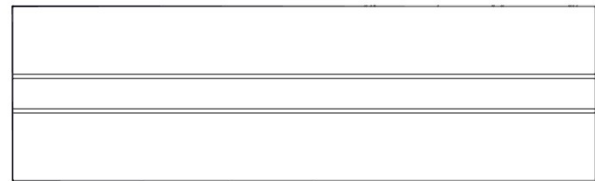
F1 JOIST - A4M01638
(x2) 1 9/16"x3 1/8"x63 11/16" (40x80x1617)



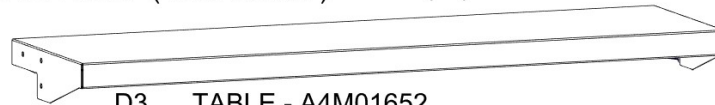
F2 OUTSIDE JOIST - A4M01640
(x2) 1 9/16"x3 1/8"x63 11/16" (40x80x1617)



D1 PANEL - A4M01642
(x2) 1 9/16"x12 7/8"x42 13/16" (40x326x1087)



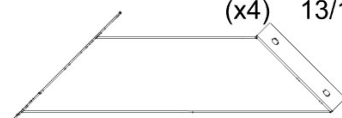
D2 PANEL - A4M01643
(x2) 1 9/16"x12 7/8"x42 13/16" (40x326x1087)



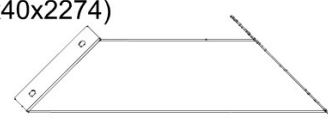
D3 TABLE - A4M01652
(x2) 3 1/8"x12 1/16"x42 7/16" (80x307x1078)



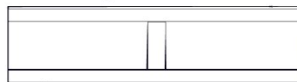
E1 PURLIN - A4M01639
(x4) 13/16"x1 9/16"x89 1/2" (20x40x2274)



C4 CORBEL - A4M01637
(x2) 1 7/16"x7 7/8"x23 1/2" (36x200x597)



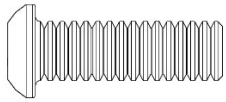
C3 CORBEL - A4M01636
(x2) 1 7/16"x7 7/8"x23 1/2" (36x200x597)



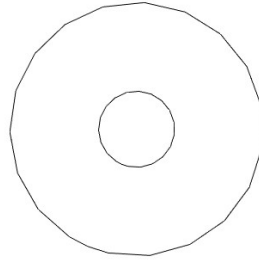
J1 FRONT SPLICE BRACKET - A4M01635
(x1) 1 5/16"x5 3/16"x15 3/4" (33x131x400)

OWNER'S MANUAL - PARTS IDENTIFICATION

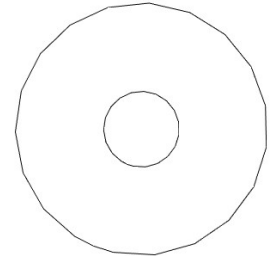
HARDWARE COMPONENTS (NOT TO SCALE)



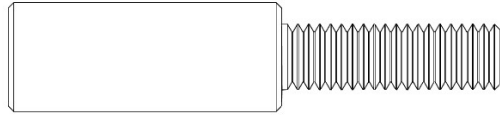
H101101 TORX PAN HEAD
(94) 1/4-20x3/4



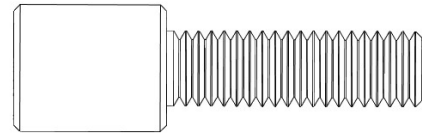
H101053 STEEL WASHER
(94) 6x20



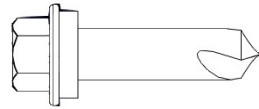
H101054 SEALANT WASHER
(94)



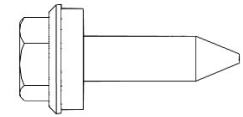
H101103 TORX SOCKET SCREW
(32) 1/4-20



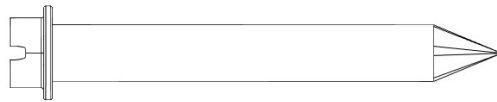
H101132 TORX SOCKET SCREW SHORT
(16) 1/4-20



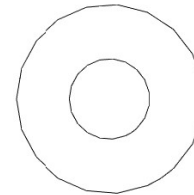
H101116 SCREW TAPPING
(22) 1/4x1 BLK



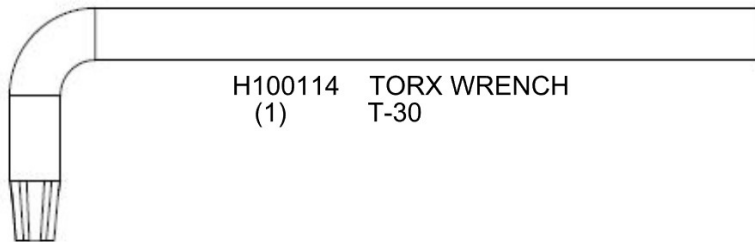
H101117 SCREW WOODGRIP
(40) 10x3/4 BLK



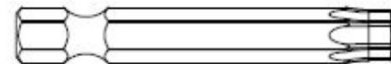
H100120 CONCRETE ANCHOR
(16) 1/4x2



H100630 FLAT WASHER BLK
(16) 8x19



H100114 TORX WRENCH
(1) T-30



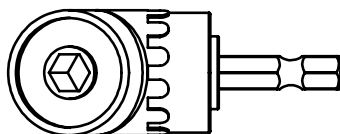
H100147 TORX BIT
(1) T-30



H101106 SOCKET DRIVER
(1) 10mm



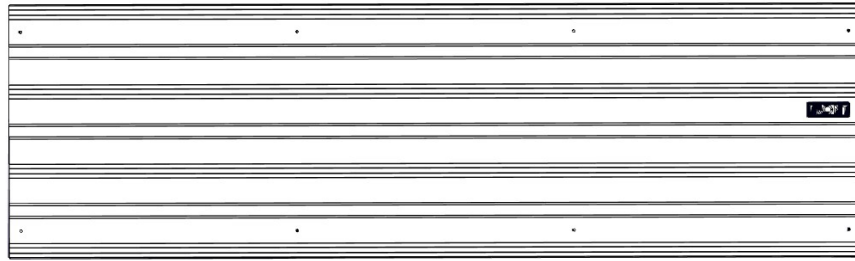
H101100 MAGNETIC DRIVER
(1)



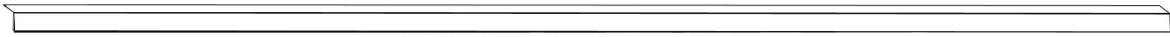
H101114 RIGHT ANGLE
(1) DRILL ADAPTER

OWNER'S MANUAL - PARTS IDENTIFICATION

ACCESSORY COMPONENTS (NOT TO SCALE)



A4M01649 29GA STEEL SHEETING
(x5)



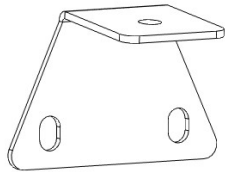
A4M01646 FRONT/BACK TRIM
(x2)



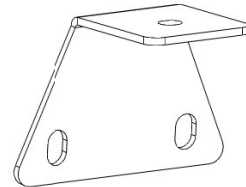
A4M01647 SIDE TRIM
(x2)



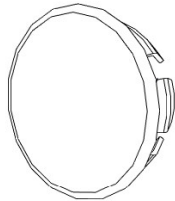
A4M01644 BACK ROOF ANGLE
(x1)



A4M01651 FRONT RAFTER BRACKET
(x4)



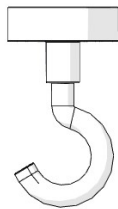
A4M01650 BACK RAFTER BRACKET
(x2)



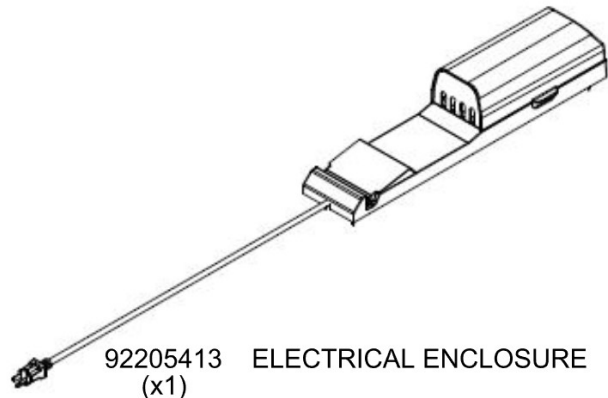
A4M01352 HOLE COVER
(x32)



A4M01645 CORNER PROTECTOR
(x4)



A4M01807 MAGNETIC HOOK
(x4)



92205413 ELECTRICAL ENCLOSURE
(x1)

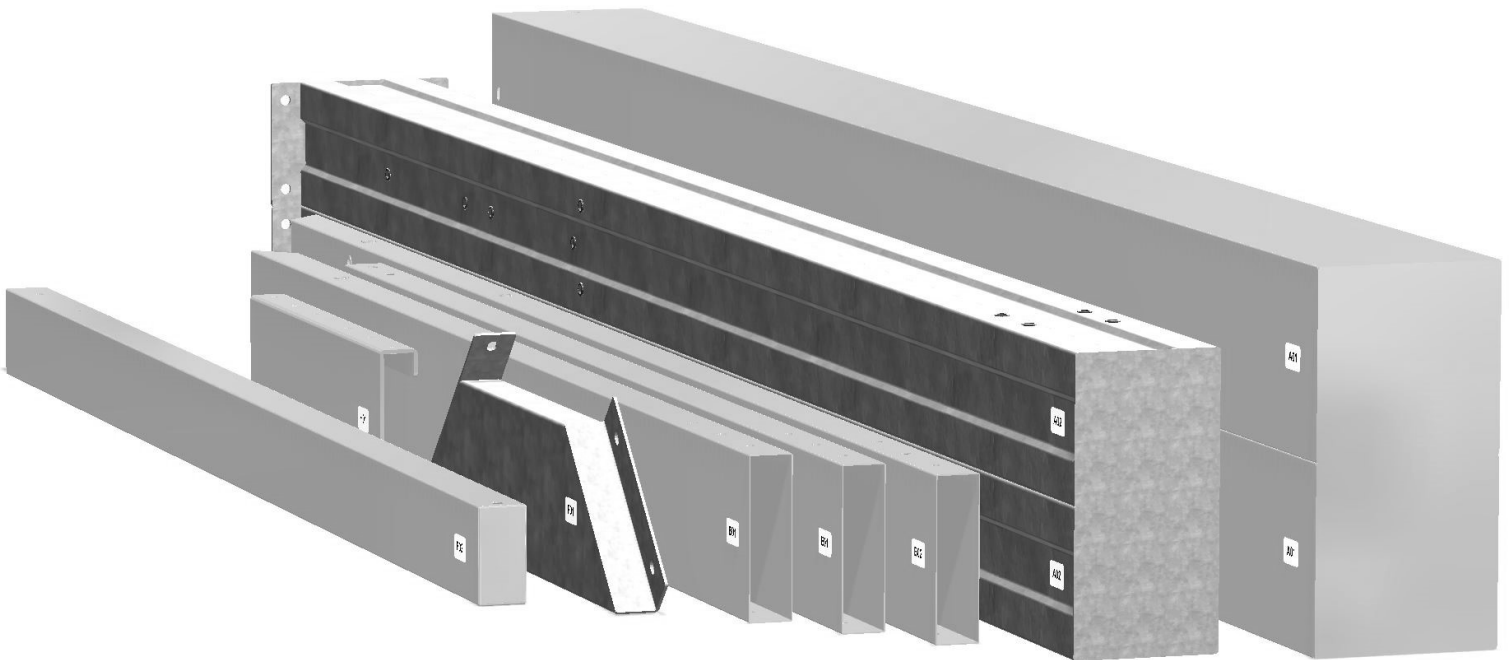
PRE-ASSEMBLY STEP 1 - SORTING PARTS

It is critical for ease of assembly that you take the time to sort and organize the parts and hardware.

METAL PARTS:

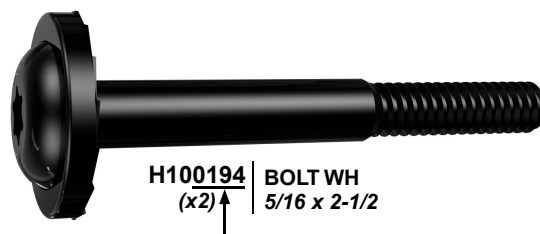
- Organize metal parts by the three-digit, alpha-numeric number stamped on each part (ex. P01).
- If there are multiple parts with the same stamped number, stack those pieces together.
- Stamps can be found on the flat surface of the parts or on the end of the parts.
- Allow yourself plenty of room - the parts can take up a significant amount of space.

NOTE: CARTONS ARE NOT ORGANIZED BY PART NUMBER.



HARDWARE PARTS:

- We recommend that you have a separate table to organize the hardware.
- Hardware bags are printed with a seven-digit, alpha-numeric part number.
- You can organize your hardware by part number or group by hardware type (i.e. bolts, nuts, etc.).
- During assembly you only need to reference the last four digits of the number.



PRE-ASSEMBLY STEP 2 - TOOLS REQUIRED



Cordless Drill or
Electric Drill



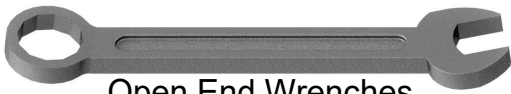
Drill Attachments:
Phillips Head



1/8", 3/16", 3/8" &
7/16" Drill Bits



Phillips Screw Driver



Open End Wrenches
1/2" & 9/16"



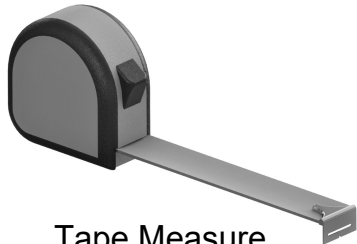
3/8" Drive Ratchet, 1/2" &
7/16" STD Sockets 1/2" & 7/16"
Deep Sockets



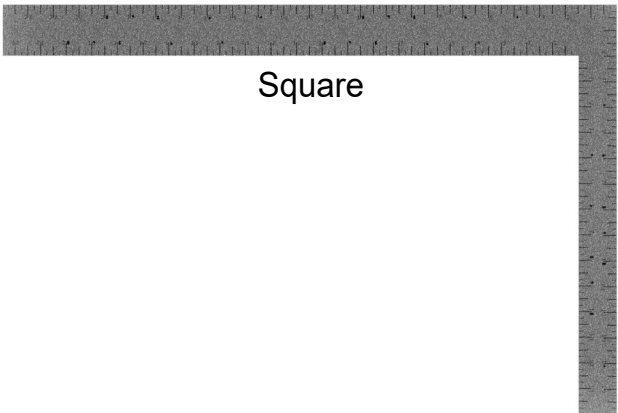
Claw Hammer



Rubber Mallet -
Optional



Tape Measure



Square




Level 24"

PRE-ASSEMBLY STEP 3 - CHOOSE YOUR ASSEMBLY METHOD

There are several types of assembly instructions available to you.


1. Printed Assembly Manual included with your set
2. BILT APP - 3D interactive instructions
3. Combination of the Printed Manual and BILT APP (Note: Step numbers can differ between the two methods)



BILT.

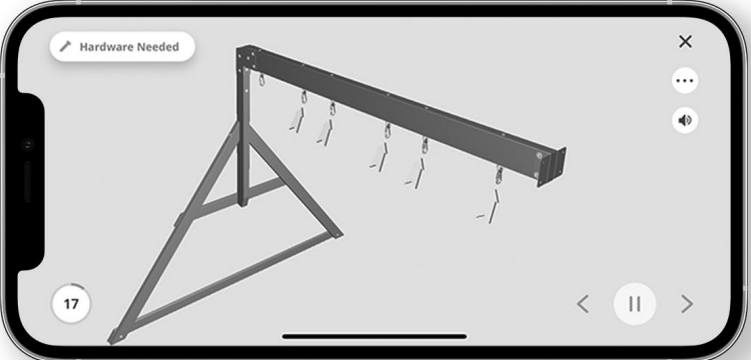
Scan for easy
3D instructions

Download the BILT app
before you begin



Download on the
App Store

GET IT ON
Google Play



Hardware Needed

17

< || >

The image shows a smartphone screen displaying a 3D assembly instruction. The screen features a 3D model of a metal frame with a horizontal beam and several hanging components. A 'Hardware Needed' button is visible in the top left corner of the app interface. The number '17' is shown in a circle in the bottom left corner, and navigation arrows and a pause button are in the bottom right corner.

STEP 4 - BEAM ASSEMBLY

QTY	PART NUMBER	DESCRIPTION
6	H101053	STEEL WASHER 6x20
6	H101054	SEALANT WASHER
6	H101101	TORX PAN HEAD 1/4-20x3/4"



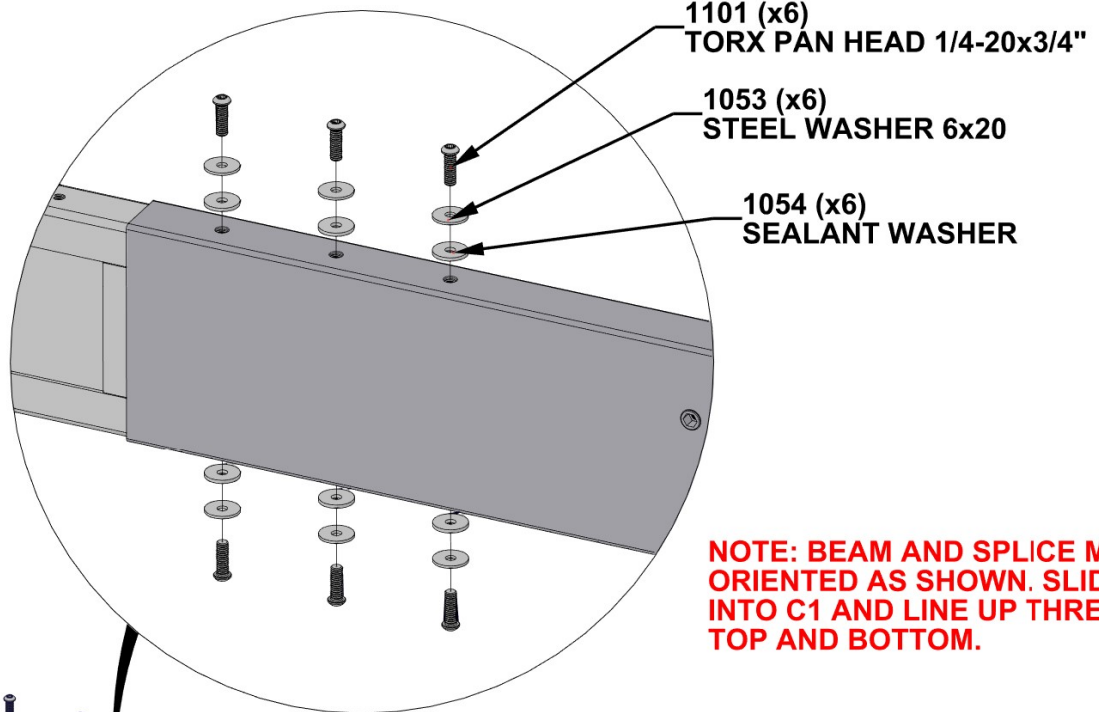
C1 FRONT BEAM - A4M01631
(x1) 1 7/16"x5 1/4"x50 5/16" (36x134x1278)



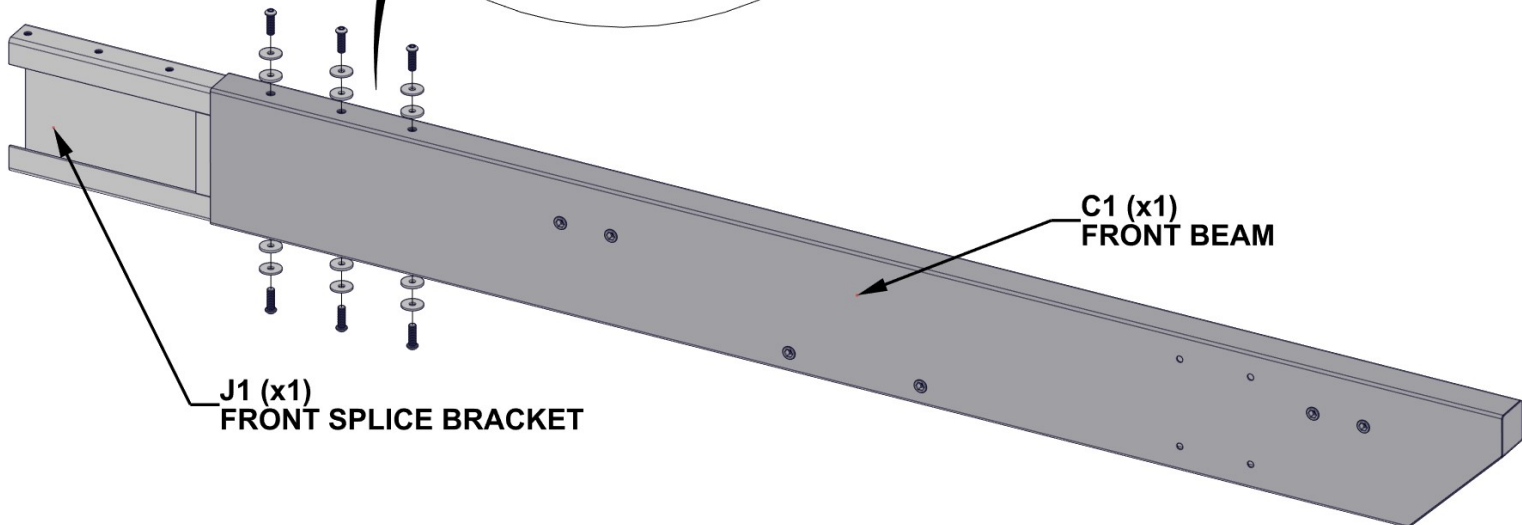
J1 FRONT SPLICE BRACKET - A4M01635
(x1) 1 5/16"x5 3/16"x15 3/4" (33x131x400)

FOR EASE OF ASSEMBLY, WE RECOMMEND USING SAW HORSES FOR STEPS 4 - 7.

DO NOT FULLY TIGHTEN BOLTS AT THIS STEP.



NOTE: BEAM AND SPLICE MUST BE ORIENTED AS SHOWN. SLIDE J1 INTO C1 AND LINE UP THREE HOLES TOP AND BOTTOM.



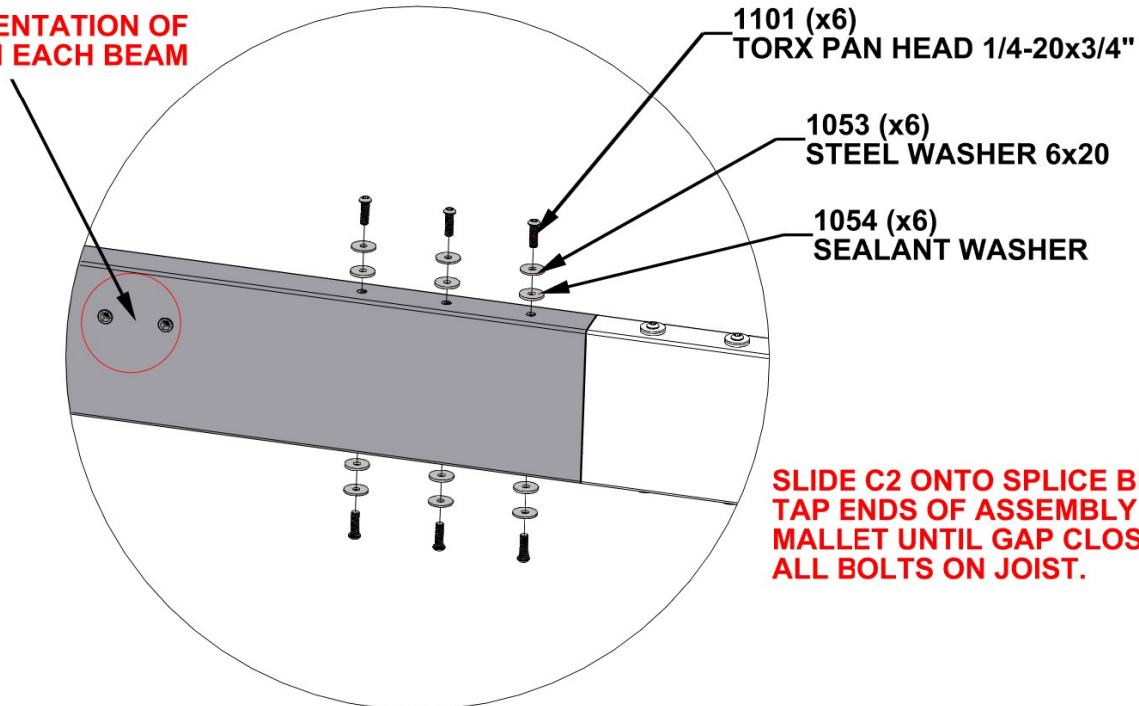
STEP 5 - BEAM ASSEMBLY

QTY	PART NUMBER	DESCRIPTION
6	H101053	STEEL WASHER 6x20
6	H101054	SEALANT WASHER
6	H101101	TORX PAN HEAD 1/4-20x3/4"

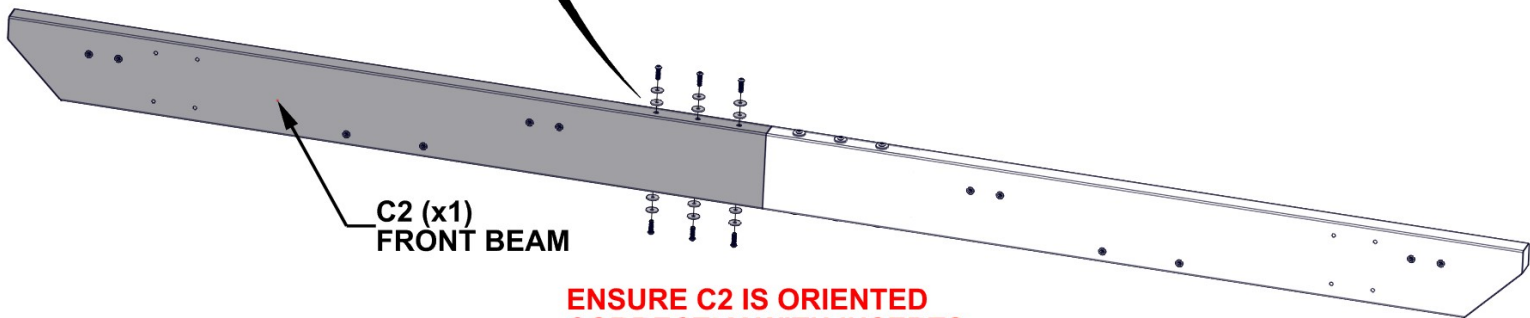


C2 FRONT BEAM - A4M01632
(x1) 1 7/16"x5 1/4"x50 5/16" (36x134x1278)

NOTE: ORIENTATION OF INSERTS IN EACH BEAM



SLIDE C2 ONTO SPLICE BRACKET. GENTLY TAP ENDS OF ASSEMBLY WITH RUBBER Mallet UNTIL GAP CLOSES, THEN TIGHTEN ALL BOLTS ON JOIST.



ENSURE C2 IS ORIENTED CORRECTLY WITH INSERTS ON SAME SIDE OF BEAM.

STEP 6 - UPRIGHT ASSEMBLY

QTY	PART NUMBER	DESCRIPTION
8	H101103	TORX SOCKET SCREW 1/4-20

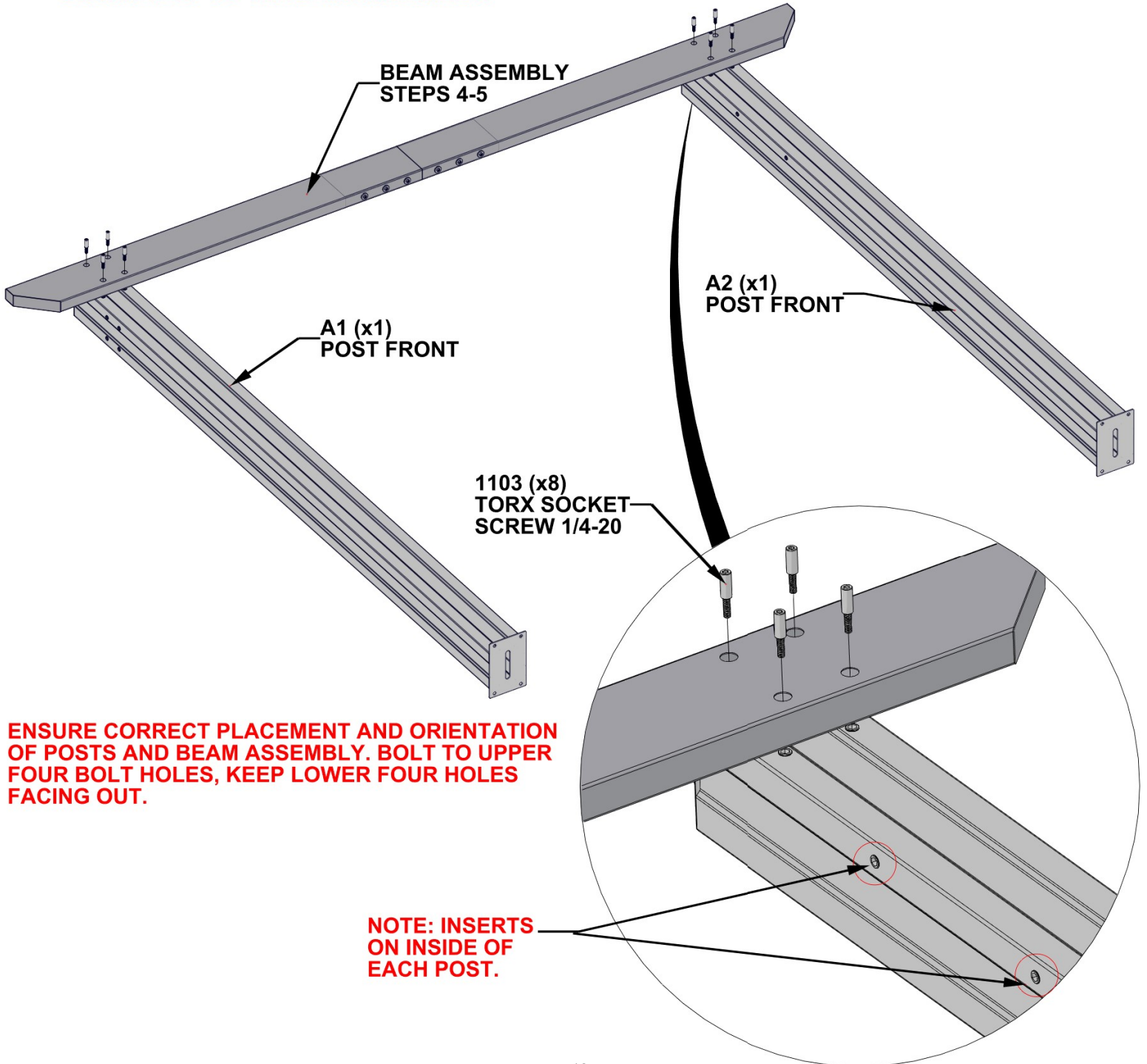


A1 POST FRONT - A4M01627
(x1) 4 3/4"x7 3/16"x83 13/16" (120x182x2130)



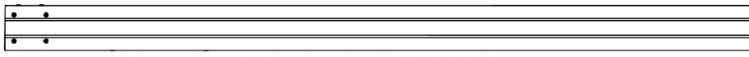
A2 POST FRONT - A4M01628
(x1) 4 3/4"x7 3/16"x83 13/16" (120x182x2130)

DO NOT FULLY TIGHTEN HARDWARE UNTIL ALL BOLTS ARE ATTACHED AND POSTS ARE SQUARED UP TO THE BEAM ASSEMBLY.

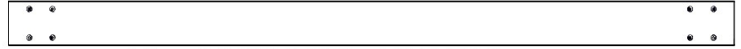


STEP 7 - UPRIGHT ASSEMBLY

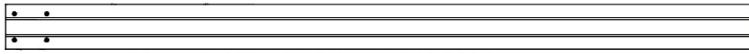
QTY	PART NUMBER	DESCRIPTION
8	H101103	TORX SOCKET SCREW 1/4-20



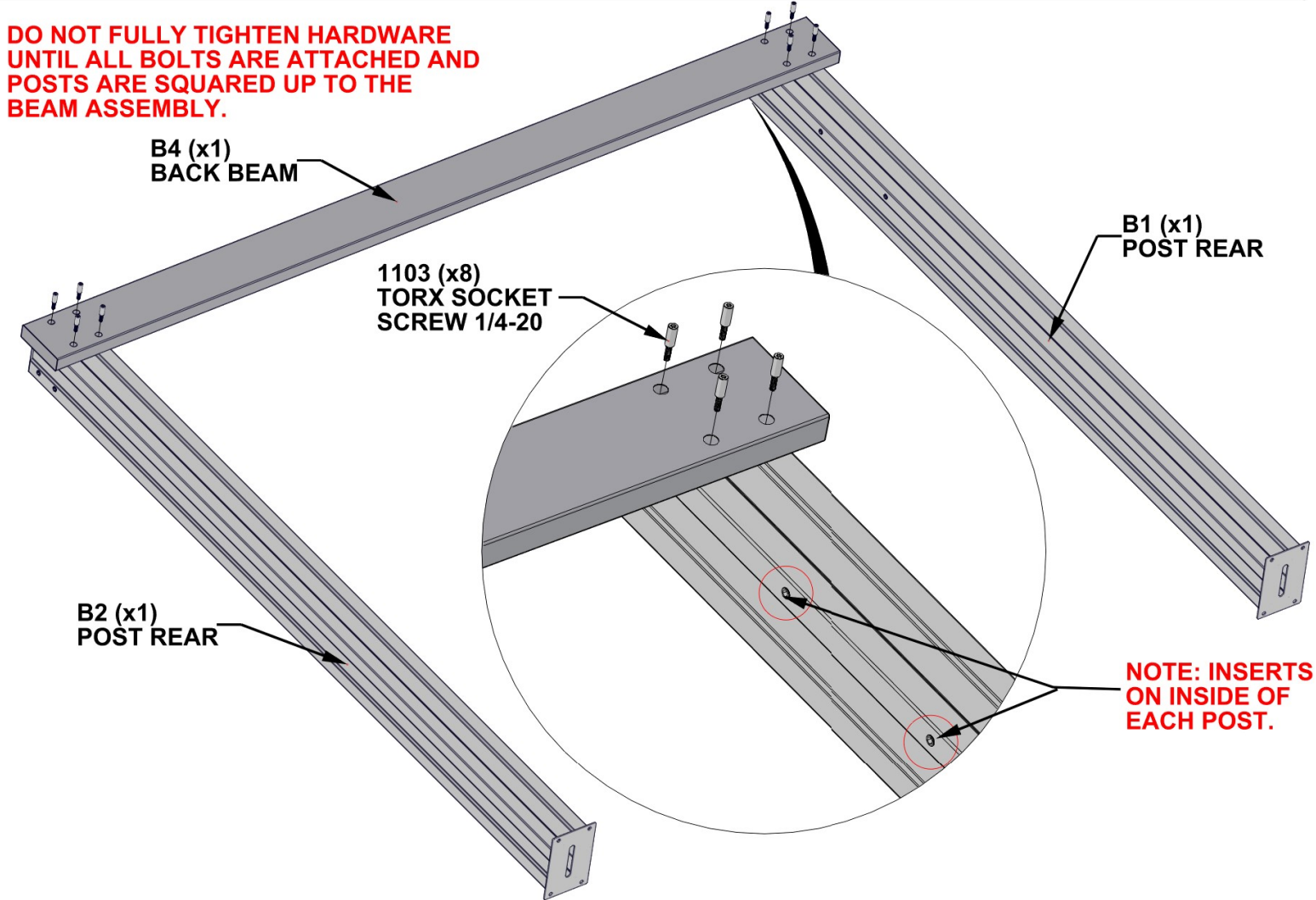
B1 POST REAR - A4M01629
(x1) 4 3/4"x7 3/16"x78 9/16" (120x182x1996)



B4 BACK BEAM - A4M01634
(x1) 1 7/16"x5 1/4"x85 15/16" (36x134x2183)

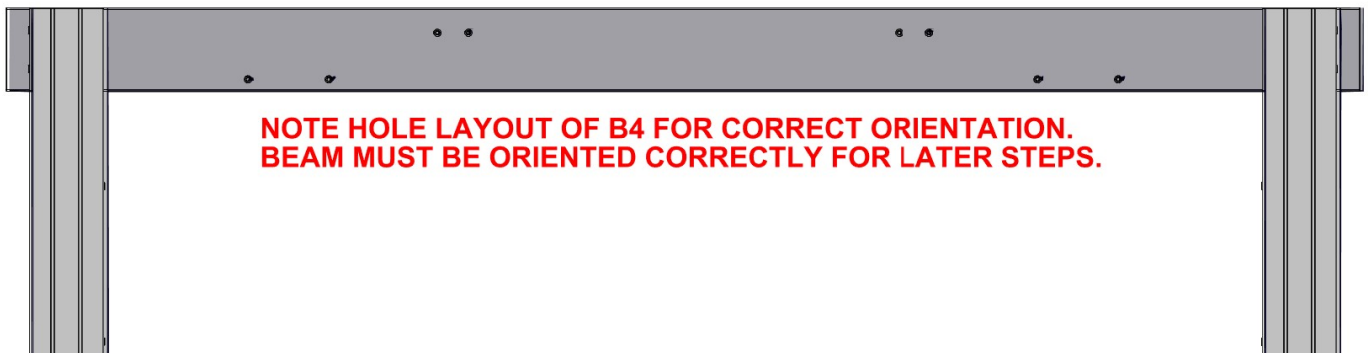


B2 POST REAR - A4M01630
(x1) 4 3/4"x7 3/16"x78 9/16" (120x182x1996)



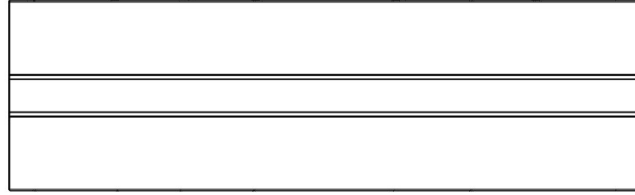
ENSURE CORRECT PLACEMENT AND ORIENTATION OF POSTS AND BEAM. FOUR HOLES SHOULD FACE OUT AND TWO HOLES SHOULD FACE IN ON POSTS.

INSIDE BACK VIEW



STEP 8 - GAZEBO ASSEMBLY

QTY	PART NUMBER	DESCRIPTION
8	H101053	STEEL WASHER 6x20
8	H101054	SEALANT WASHER
8	H101101	TORX PAN HEAD 1/4-20x3/4"

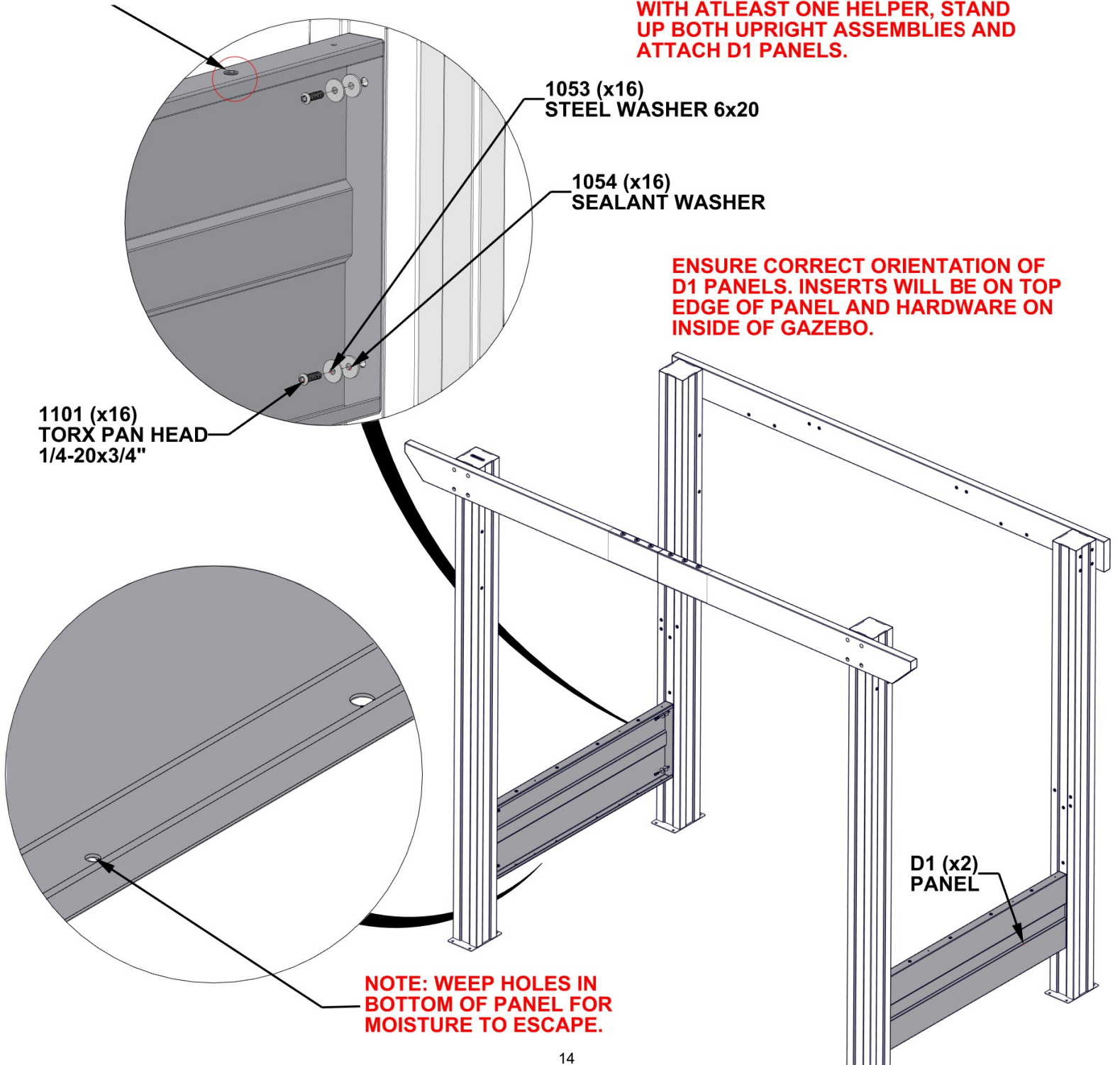


D1 PANEL - A4M01642
 (x2) 1 9/16"x12 7/8"x42 13/16" (40x326x1087)

DO NOT FULLY TIGHTEN BOLTS AT THIS STEP.

NOTE: INSERTS ON TOP EDGE OF PANEL.

WITH AT LEAST ONE HELPER, STAND UP BOTH UPRIGHT ASSEMBLIES AND ATTACH D1 PANELS.

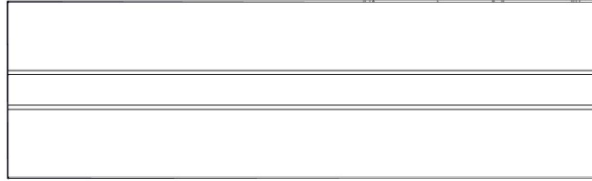


ENSURE CORRECT ORIENTATION OF D1 PANELS. INSERTS WILL BE ON TOP EDGE OF PANEL AND HARDWARE ON INSIDE OF GAZEBO.

NOTE: WEEP HOLES IN BOTTOM OF PANEL FOR MOISTURE TO ESCAPE.

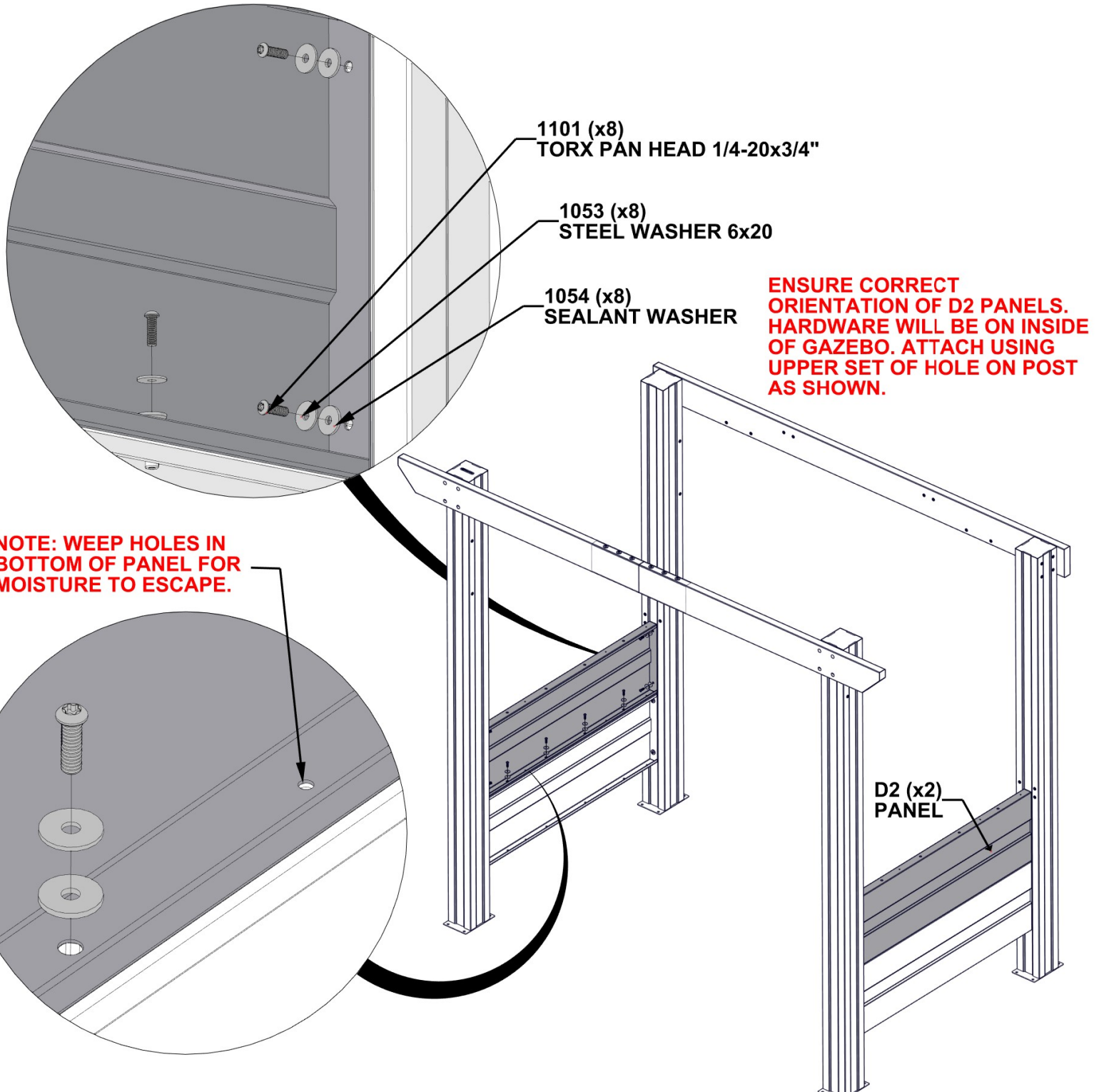
STEP 9 - GAZEBO ASSEMBLY

QTY	PART NUMBER	DESCRIPTION
16	H101053	STEEL WASHER 6x20
16	H101054	SEALANT WASHER
16	H101101	TORX PAN HEAD 1/4-20x3/4"



D2 PANEL - A4M01643
 (x2) 1 9/16"x12 7/8"x42 13/16" (40x326x1087)

DO NOT FULLY TIGHTEN BOLTS AT THIS STEP.



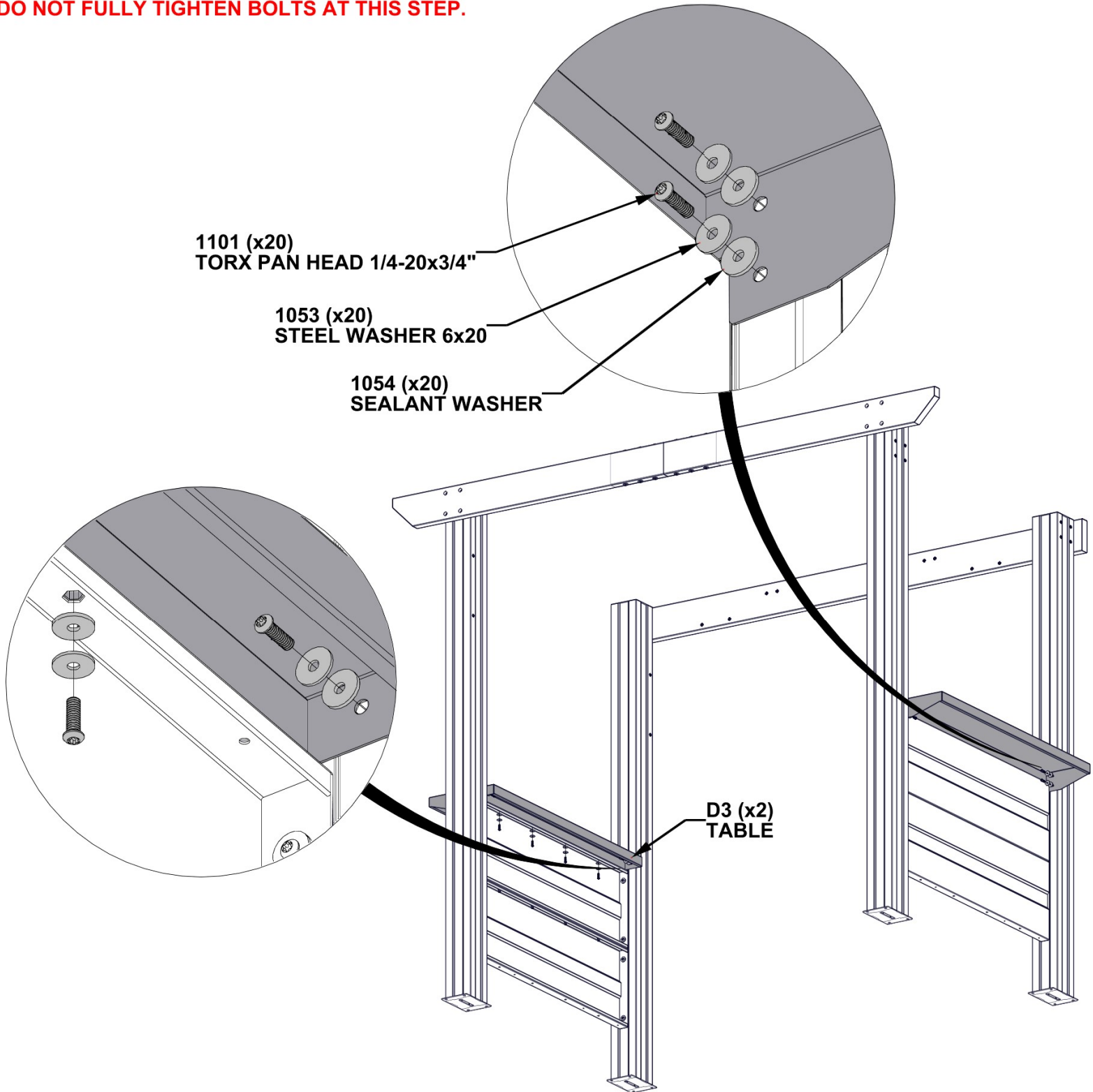
STEP 10 - GAZEBO ASSEMBLY

QTY	PART NUMBER	DESCRIPTION
20	H101053	STEEL WASHER 6x20
20	H101054	SEALANT WASHER
20	H101101	TORX PAN HEAD 1/4-20x3/4"



D3 TABLE - A4M01652
 (x2) 3 1/8"x12 1/16"x42 7/16" (80x307x1078)

DO NOT FULLY TIGHTEN BOLTS AT THIS STEP.



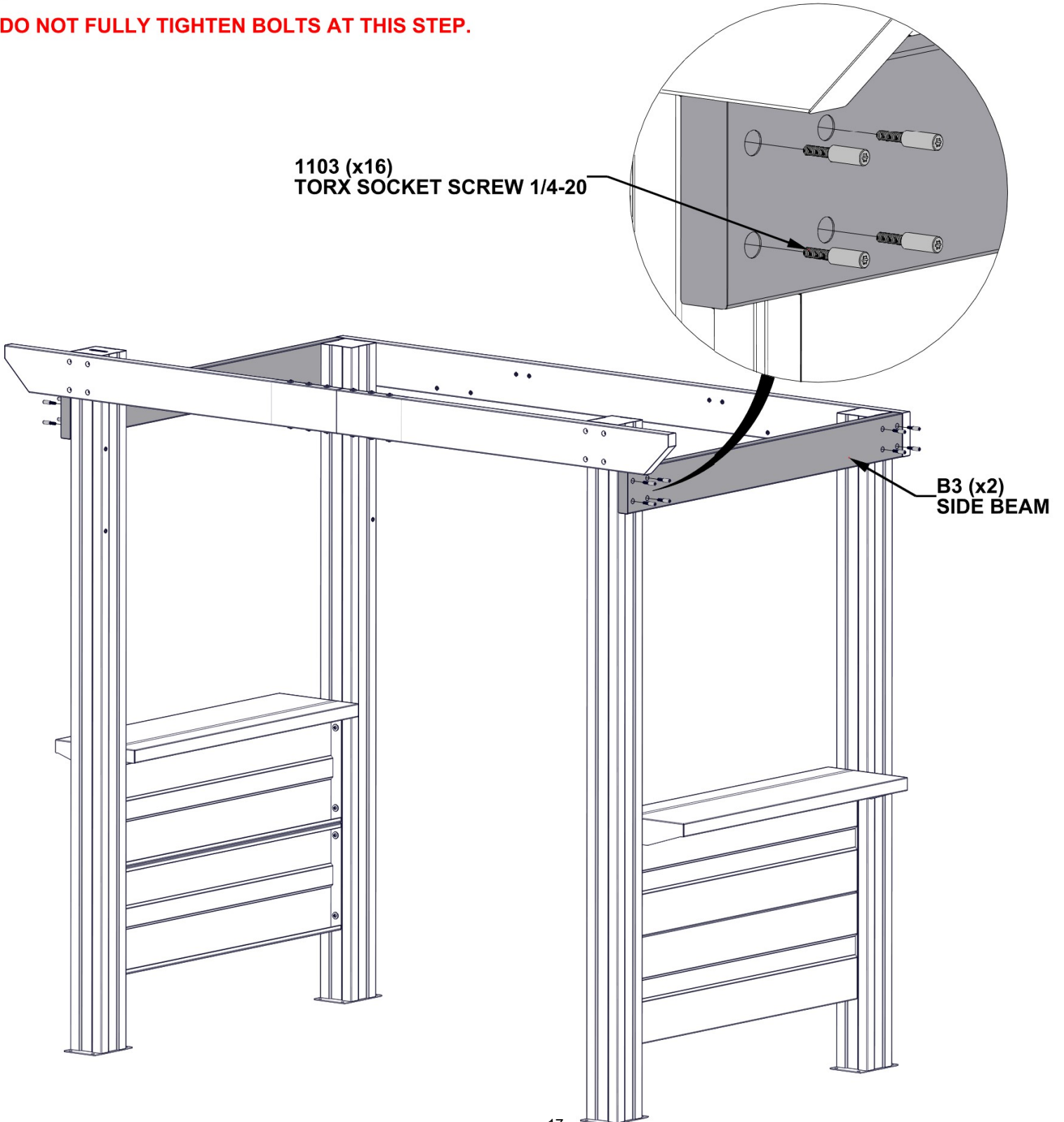
STEP 11 - GAZEBO ASSEMBLY

QTY	PART NUMBER	DESCRIPTION
16	H101103	TORX SOCKET SCREW 1/4-20



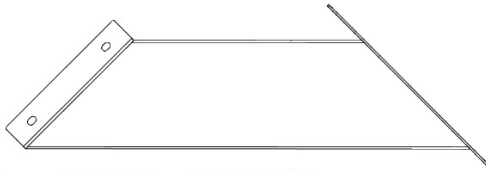
B3 SIDE BEAM - A4M01633
(x2) 1 7/16"x5 1/4"x52 1/16" (36x134x1322)

DO NOT FULLY TIGHTEN BOLTS AT THIS STEP.

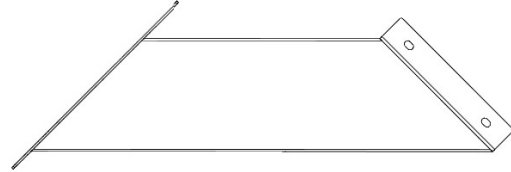


STEP 12 - GAZEBO ASSEMBLY

QTY	PART NUMBER	DESCRIPTION
16	H101053	STEEL WASHER 6x20
16	H101054	SEALANT WASHER
16	H101101	TORX PAN HEAD 1/4-20x3/4"

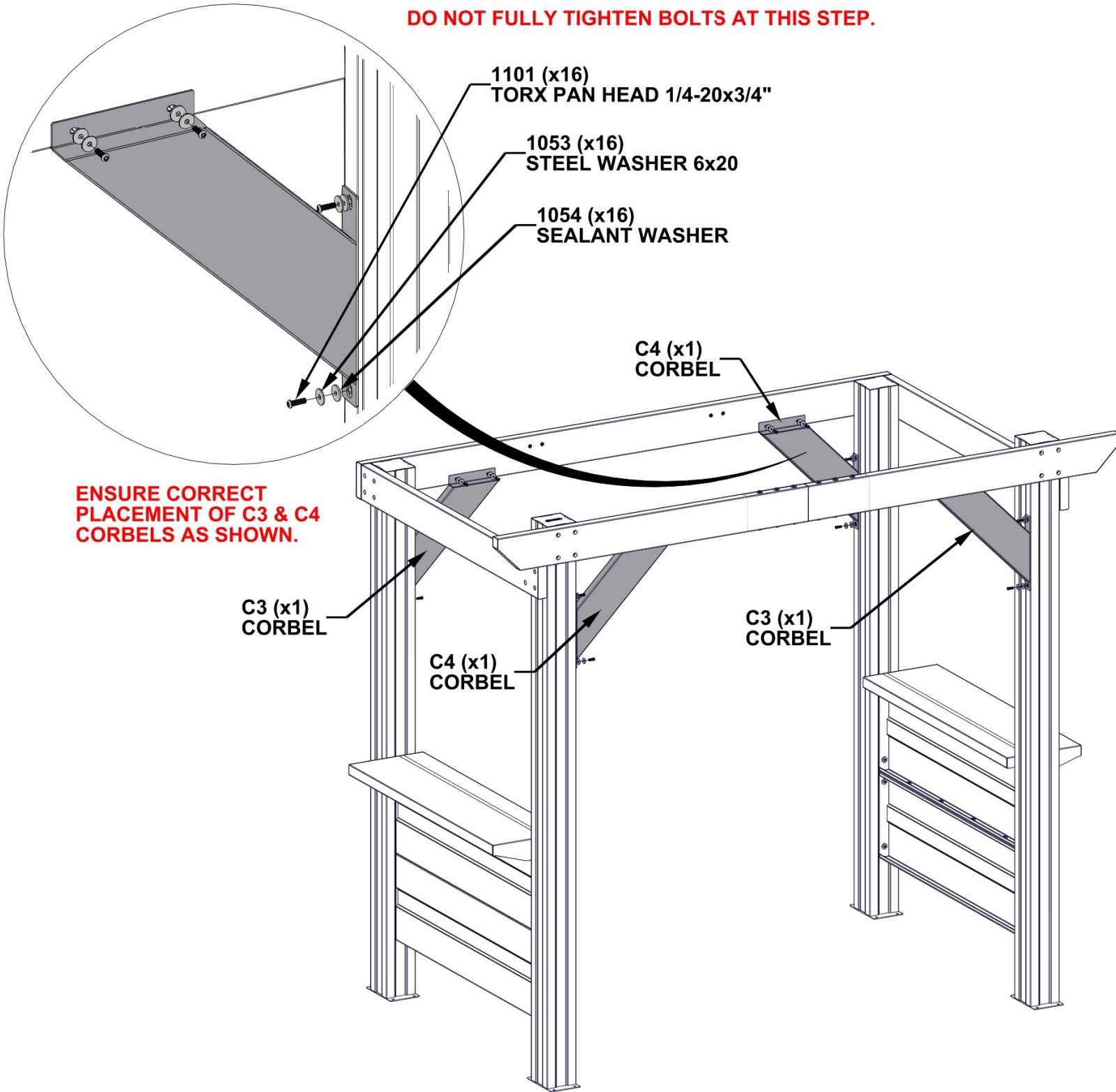


C3 CORBEL - A4M01636
(x2) 1 7/16"x7 7/8"x23 1/2" (36x200x597)



C4 CORBEL - A4M01637
(x2) 1 7/16"x7 7/8"x23 1/2" (36x200x597)

DO NOT FULLY TIGHTEN BOLTS AT THIS STEP.



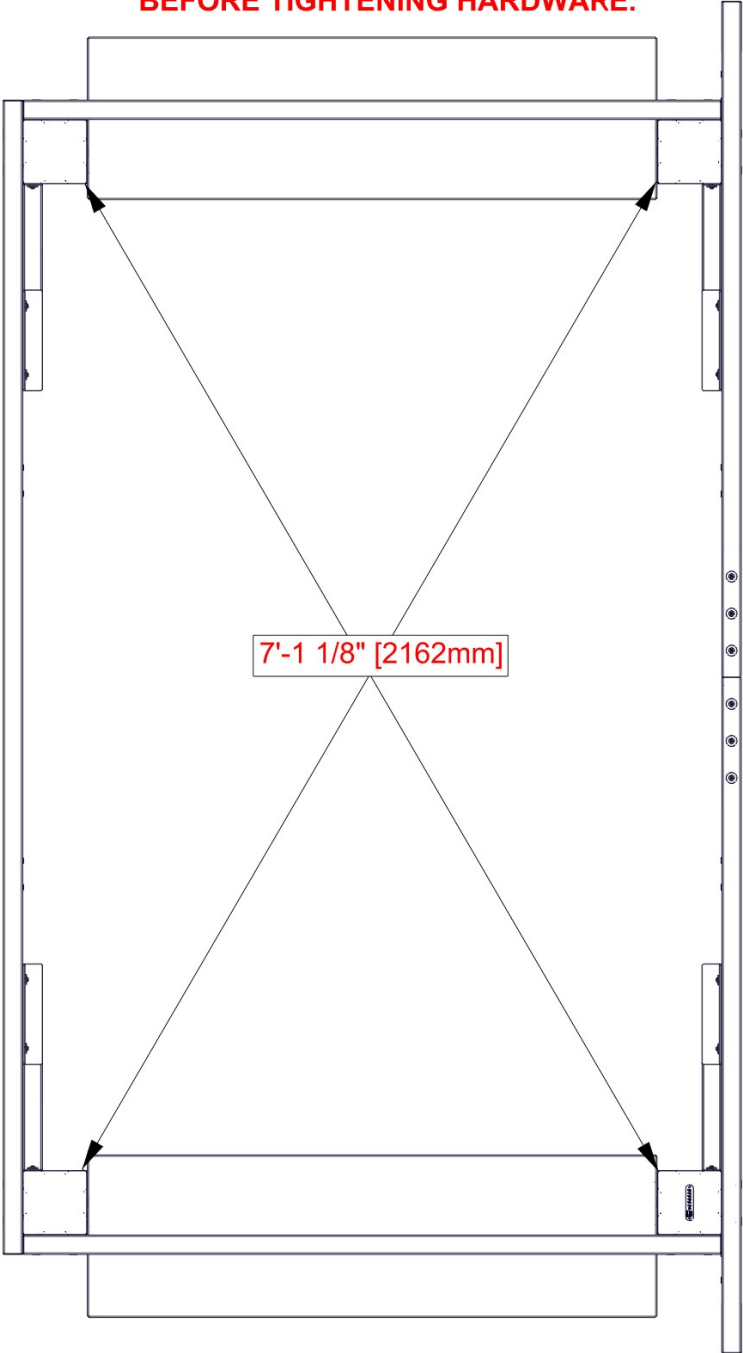
ENSURE CORRECT PLACEMENT OF C3 & C4 CORBELS AS SHOWN.

STEP 13 - SQUARE ASSEMBLY

**CRITICAL: SQUARE ASSEMBLY BEFORE PROCEEDING TO NEXT STEPS.
ONCE ASSEMBLY IS SQUARED, FULLY TIGHTEN ALL HARDWARE.**

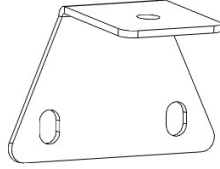
MEASUREMENTS TAKEN FROM INSIDE POST CORNER TO INSIDE POST CORNER.

**NOTE: LEVEL TABLES AS NEEDED
BEFORE TIGHTENING HARDWARE.**

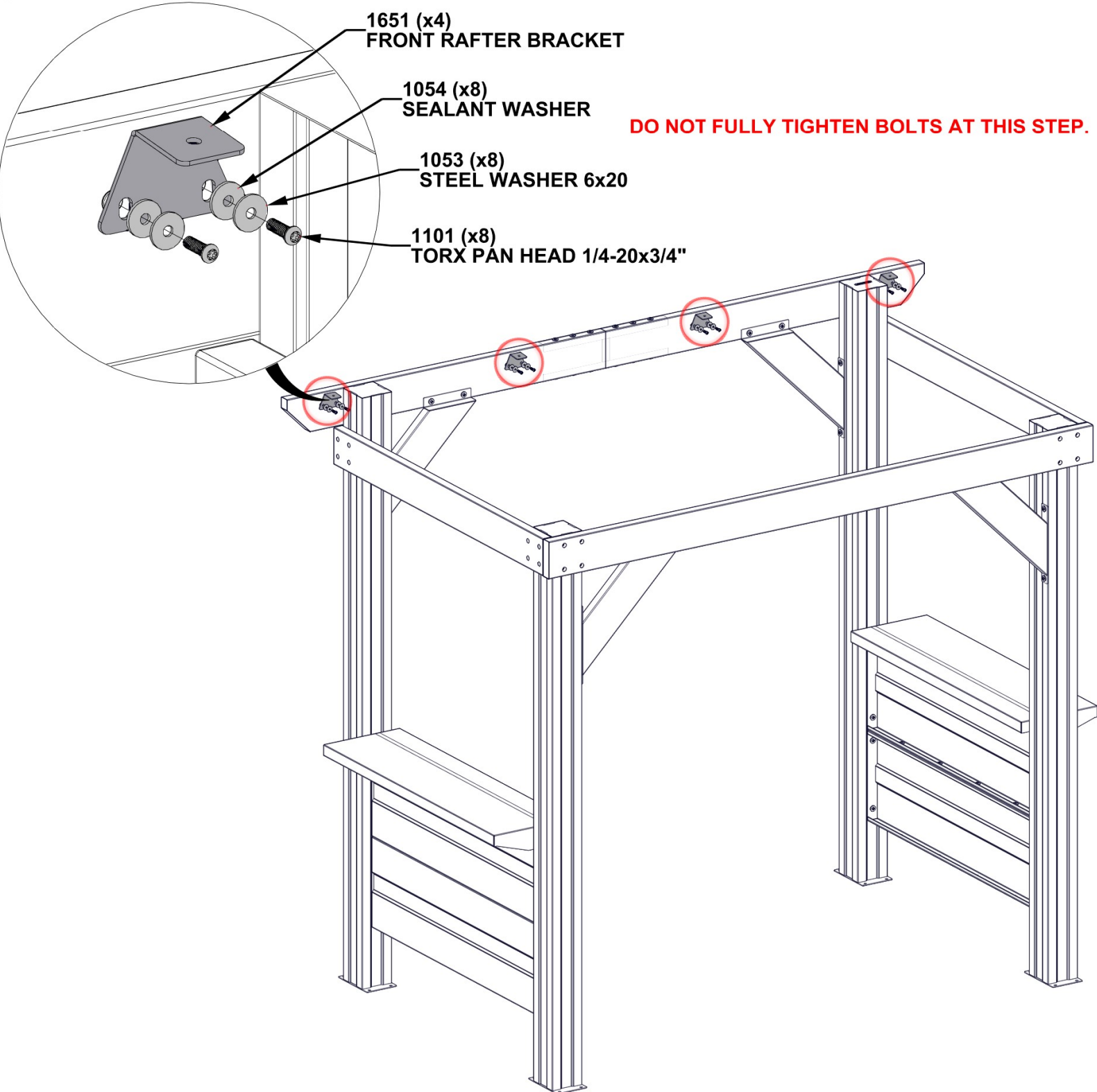


STEP 14 - GAZEBO ASSEMBLY

QTY	PART NUMBER	DESCRIPTION
8	H101053	STEEL WASHER 6x20
8	H101054	SEALANT WASHER
8	H101101	TORX PAN HEAD 1/4-20x3/4"

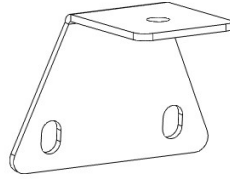


A4M01651 FRONT RAFTER BRACKET
(x4)

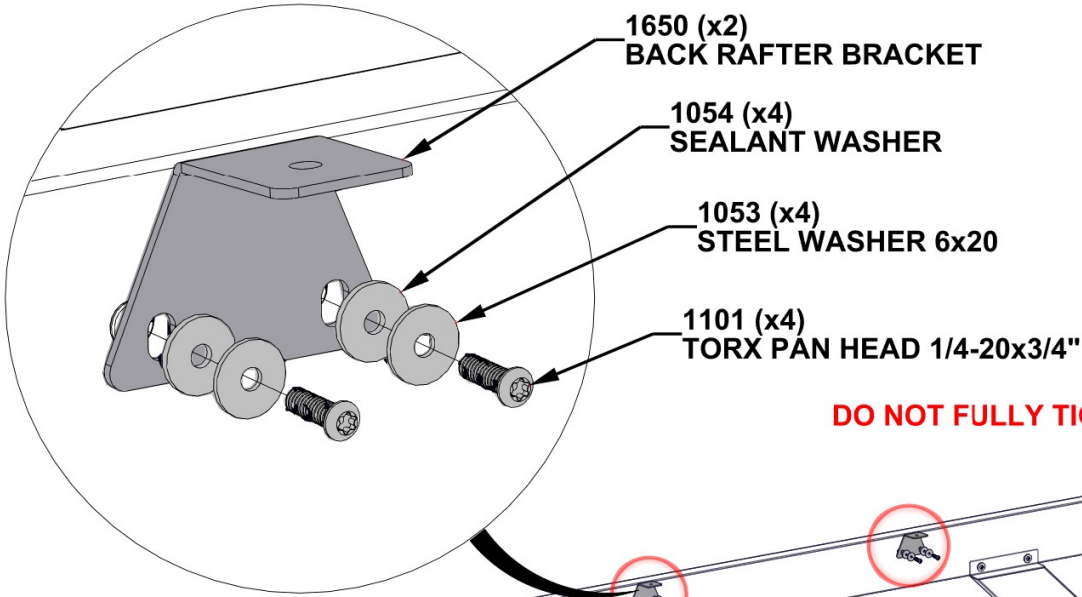


STEP 15 - GAZEBO ASSEMBLY

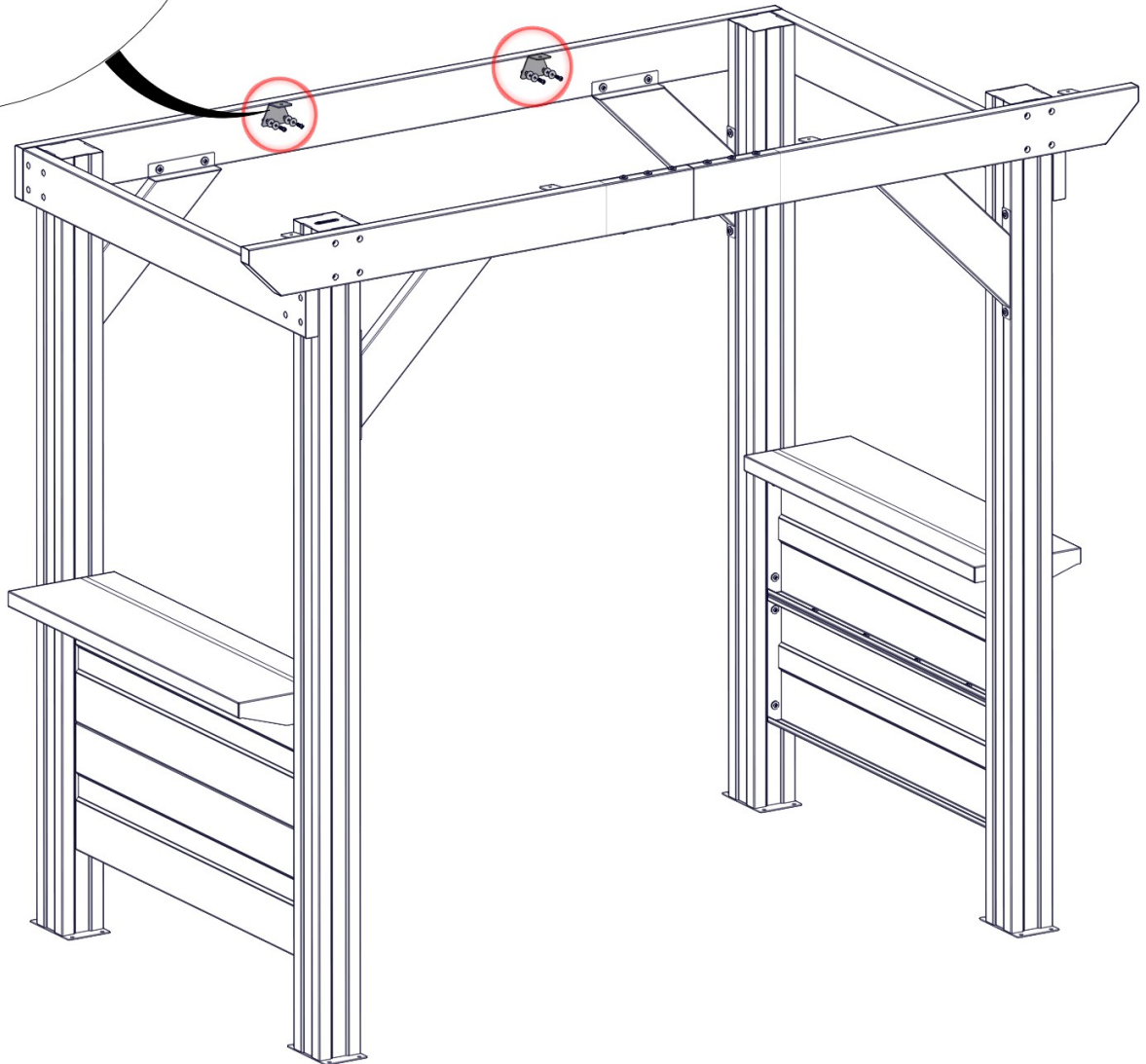
QTY	PART NUMBER	DESCRIPTION
4	H101053	STEEL WASHER 6x20
4	H101054	SEALANT WASHER
4	H101101	TORX PAN HEAD 1/4-20x3/4"



A4M01650 BACK RAFTER BRACKET
(x2)



DO NOT FULLY TIGHTEN BOLTS AT THIS STEP.



STEP 16 - ROOF PANEL ASSEMBLY

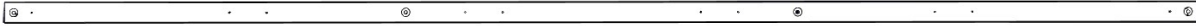
QTY	PART NUMBER	DESCRIPTION
16	H101132	TORX SOCKET SCREW SHORT 1/4-20



F1 JOIST - A4M01638
(x2) 1 9/16"x3 1/8"x63 11/16" (40x80x1617)

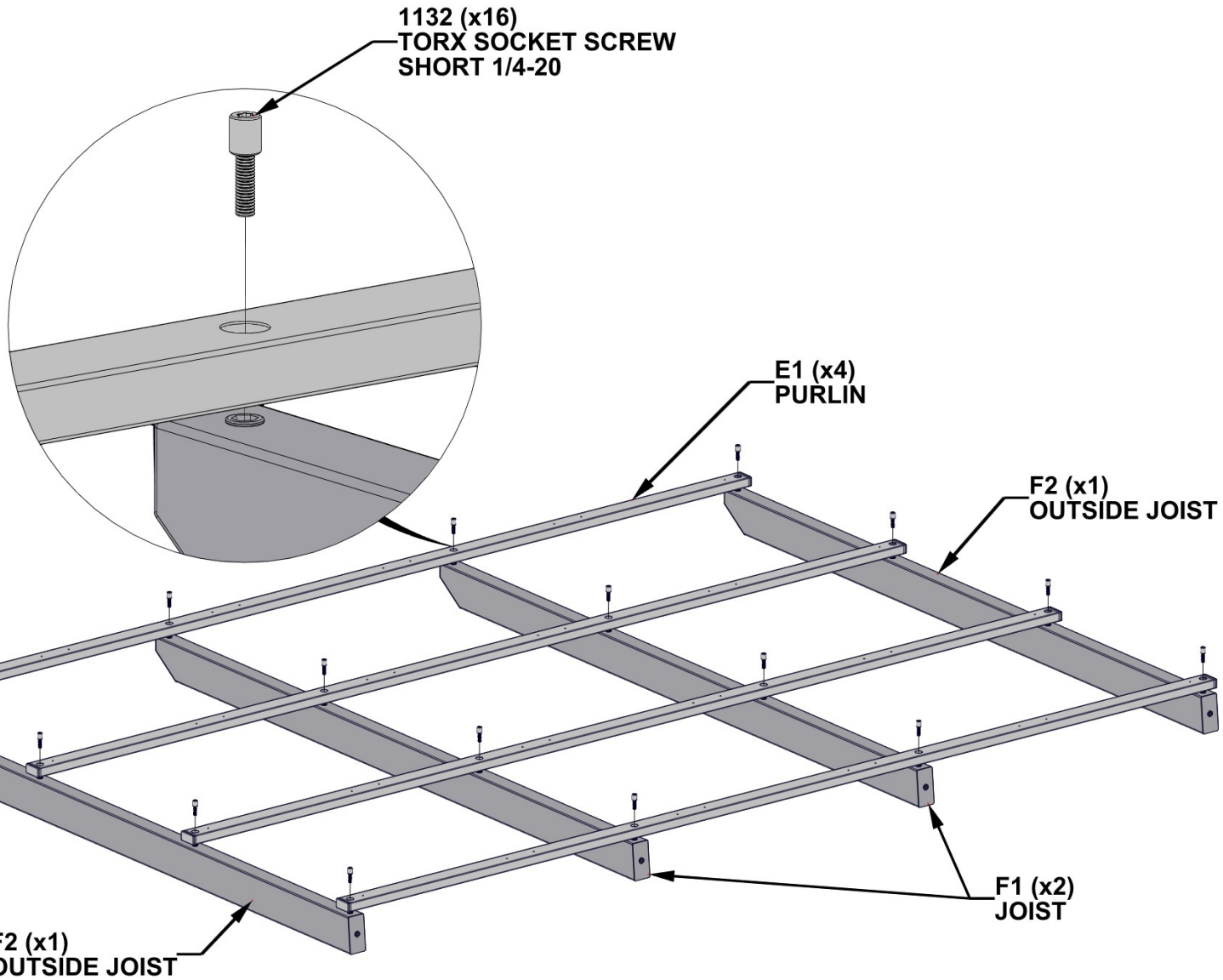


F2 OUTSIDE JOIST - A4M01640
(x2) 1 9/16"x3 1/8"x63 11/16" (40x80x1617)



E1 PURLIN - A4M01639
(x4) 13/16"x1 9/16"x89 1/2" (20x40x2274)

DO NOT FULLY TIGHTEN BOLTS AT THIS STEP.



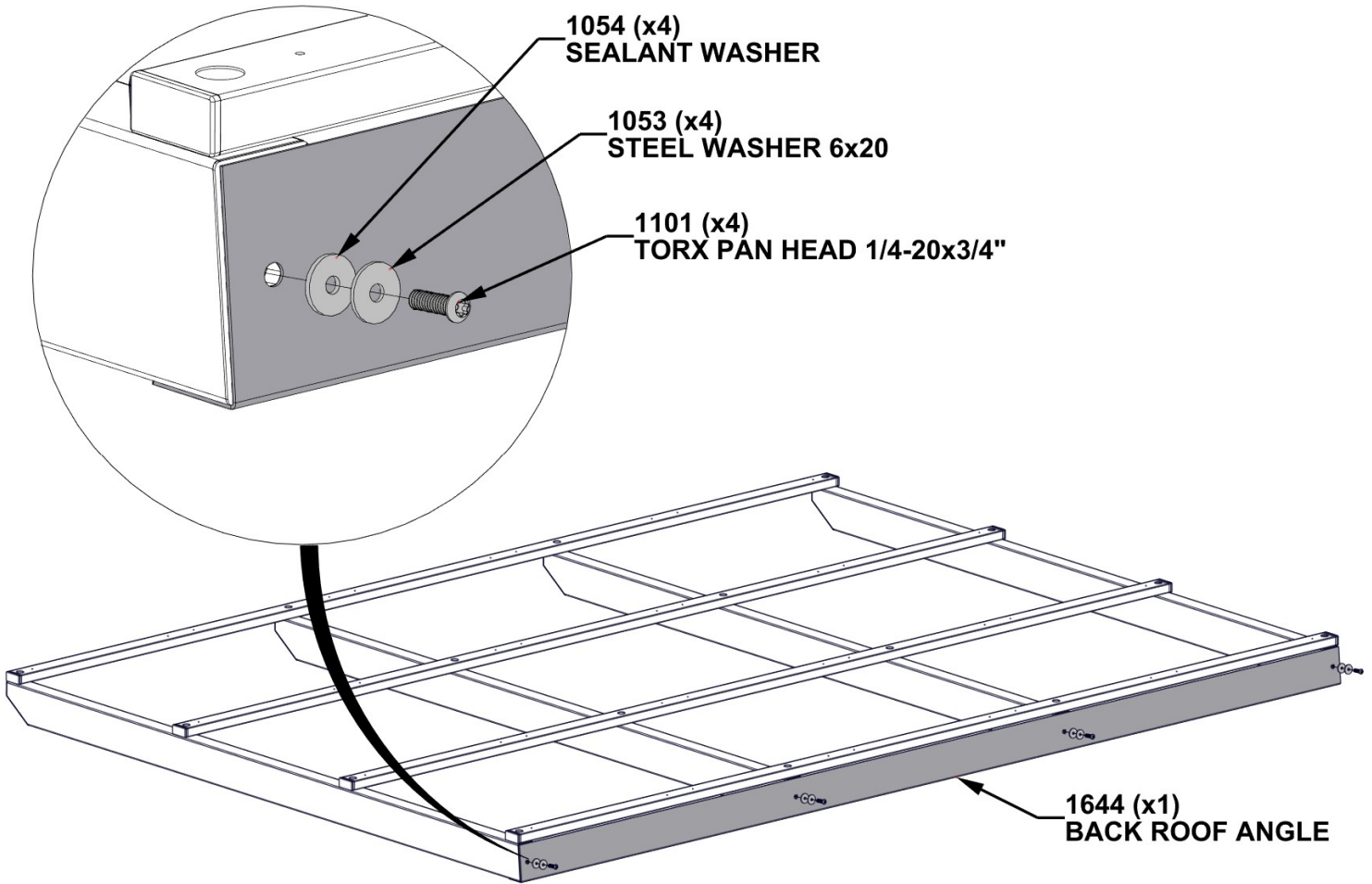
STEP 17A - ROOF PANEL ASSEMBLY

QTY	PART NUMBER	DESCRIPTION
4	H101053	STEEL WASHER 6x20
4	H101054	SEALANT WASHER
4	H101101	TORX PAN HEAD 1/4-20x3/4"



A4M01644 BACK ROOF ANGLE
(x1)

**DO NOT FULLY TIGHTEN BOLTS AT THIS STEP.
WEEP HOLES IN BOTTOM OF ROOF ANGLE ARE
FOR MOISTURE TO ESCAPE.**

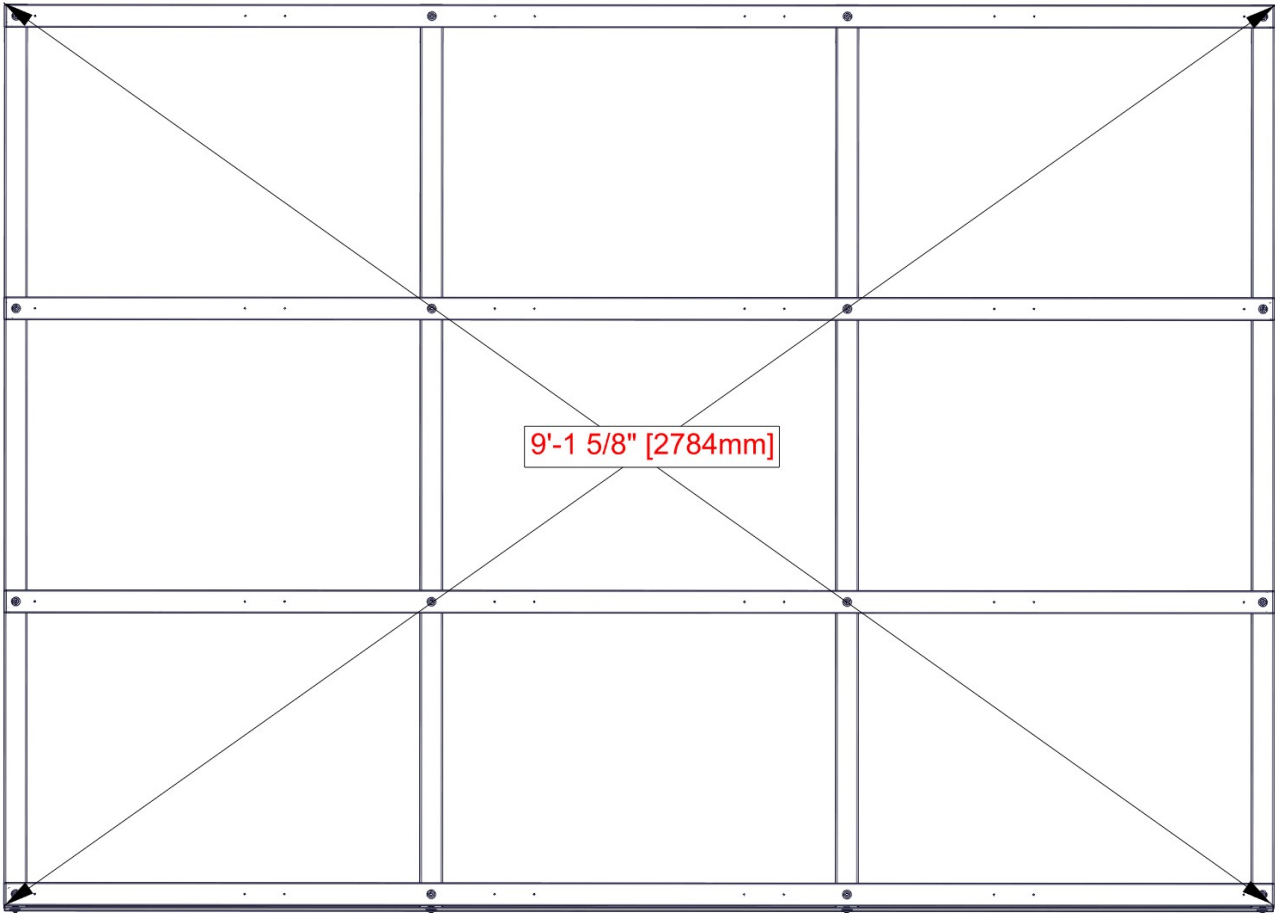


STEP 17B - ROOF PANEL ASSEMBLY

TIP: LOOSEN HARDWARE TO ADJUST FOR SQUARING IF NEEDED

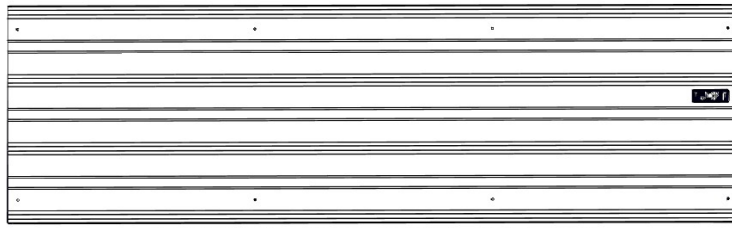
- CRITICAL:**
- SQUARE UNIT BEFORE PROCEEDING TO NEXT STEPS.
 - THE BELOW DIMENSIONS ARE CRITICAL TO THE FINAL ROOF ASSEMBLY.
 - MEASUREMENTS SHOULD BE HELD WITHIN +/- 1/4".
 - MEASUREMENTS OUTSIDE OF TOLERANCE WILL LEAD TO THE INABILITY TO ASSEMBLE THE ROOF.

ONCE ROOF PANEL IS SQUARED, FULLY TIGHTEN ALL BOLTS ON ROOF PANEL.

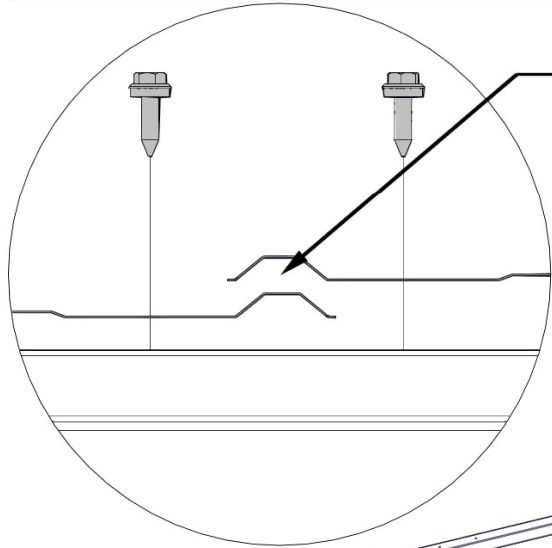


STEP 18 - ROOF PANEL ASSEMBLY

QTY	PART NUMBER	DESCRIPTION
16	H101117	SCREW WOODGRIP 10-16x3/4" BLK



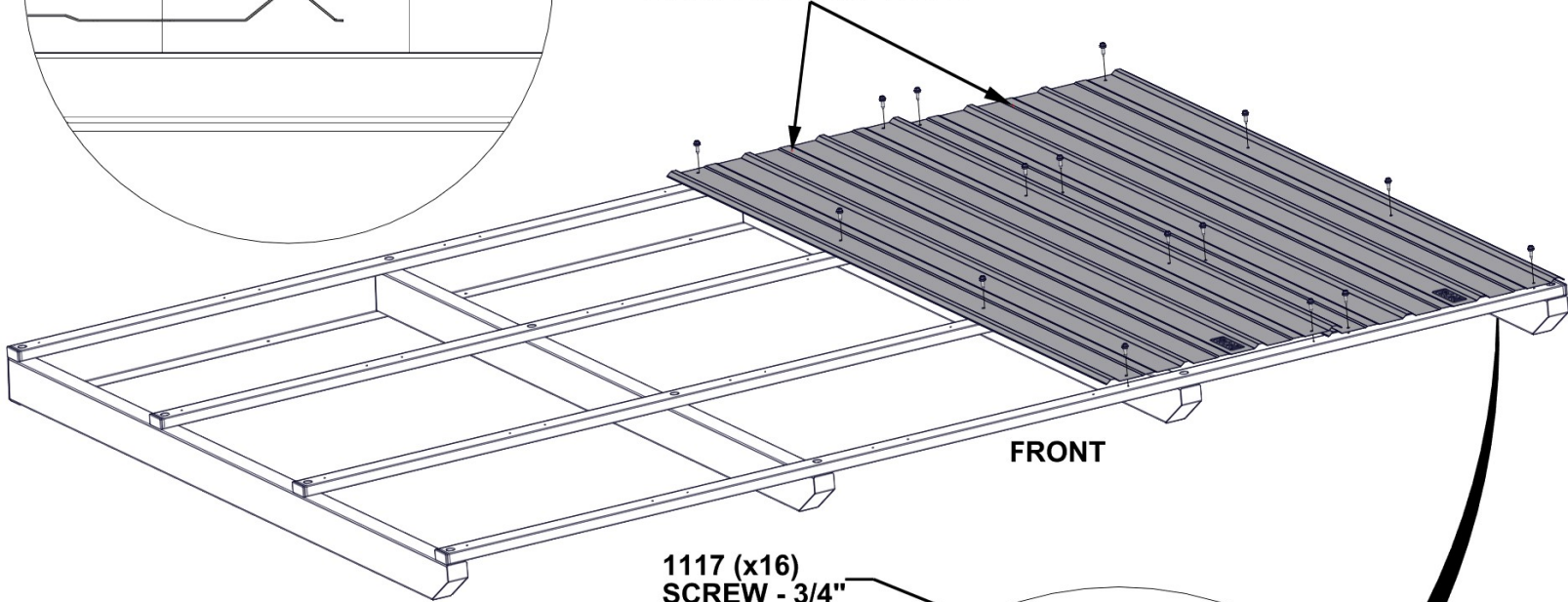
A4M01649 29GA STEEL SHEETING
(x2)



NOTE: RIB OVERLAP

ORIENT ROOF PANELS WITH "FRONT" STICKER TOWARDS THE FRONT SIDE OF THE ROOF ASSEMBLY AS SHOWN.

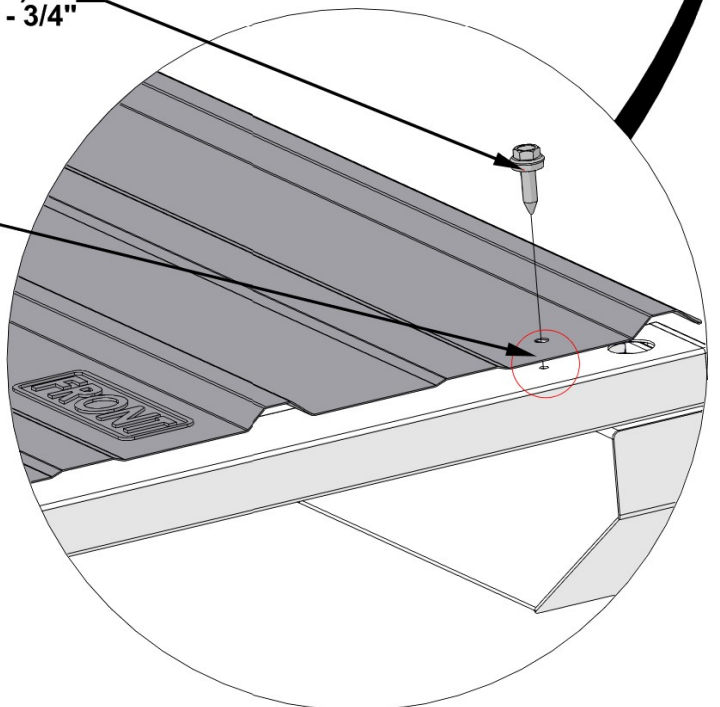
1649 (x2)
29GA STEEL SHEETING



FRONT

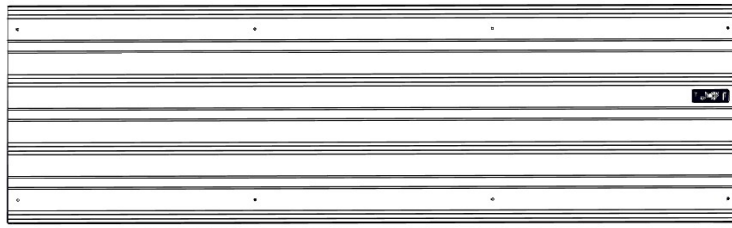
1117 (x16)
SCREW - 3/4"

LINE UP THE PILOT HOLES IN THE ROOF PANELS WITH THE PILOT HOLES IN THE E1 PURLINS.



STEP 19 - ROOF PANEL ASSEMBLY

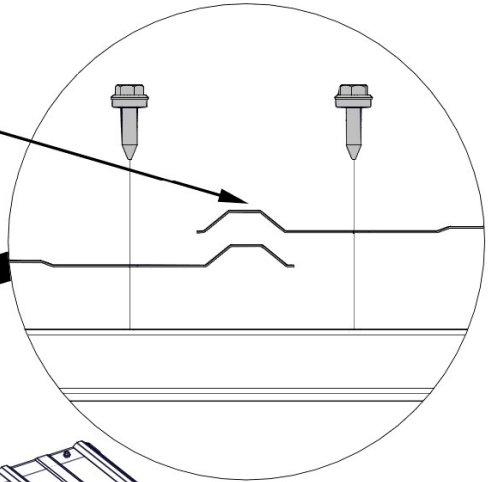
QTY	PART NUMBER	DESCRIPTION
24	H101117	SCREW WOODGRIP 10-16x3/4 BLK



A4M01649 29GA STEEL SHEETING
(x3)

ORIENT ROOF PANELS WITH "FRONT" STICKER TOWARDS THE FRONT SIDE OF THE ROOF ASSEMBLY AS SHOWN.

NOTE RIB OVERLAP

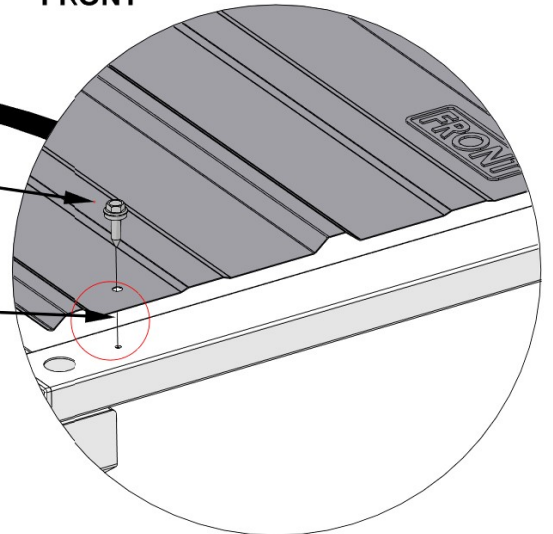


1649 (x3)
29GA STEEL SHEETING

FRONT

1117 (x24)
SCREW - 3/4"

LINE UP THE PILOT HOLES IN THE ROOF PANELS WITH THE PILOT HOLES IN THE E1 PURLINS.



STEP 20 - ROOF PANEL ASSEMBLY

QTY	PART NUMBER	DESCRIPTION
8	H101116	SCREW SELF TAPPING 1/4x1 BLK



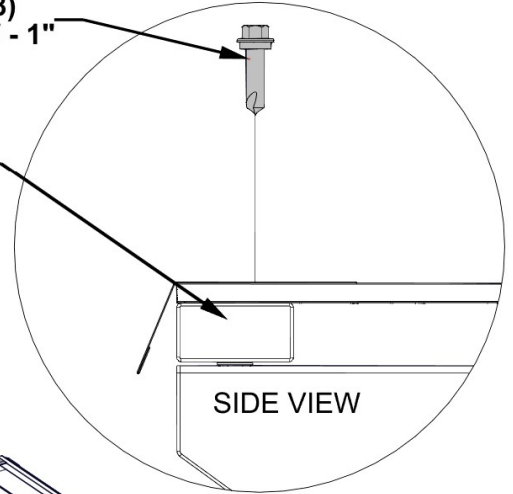
A4M01646 FRONT/BACK TRIM
(x2)

DUE TO MULTIPLE LAYERS OF METAL ON THE EDGE TRIM, IT IS RECOMMENDED THAT A 1/8" DRILL BIT IS USED TO CREATE STARTER HOLES.

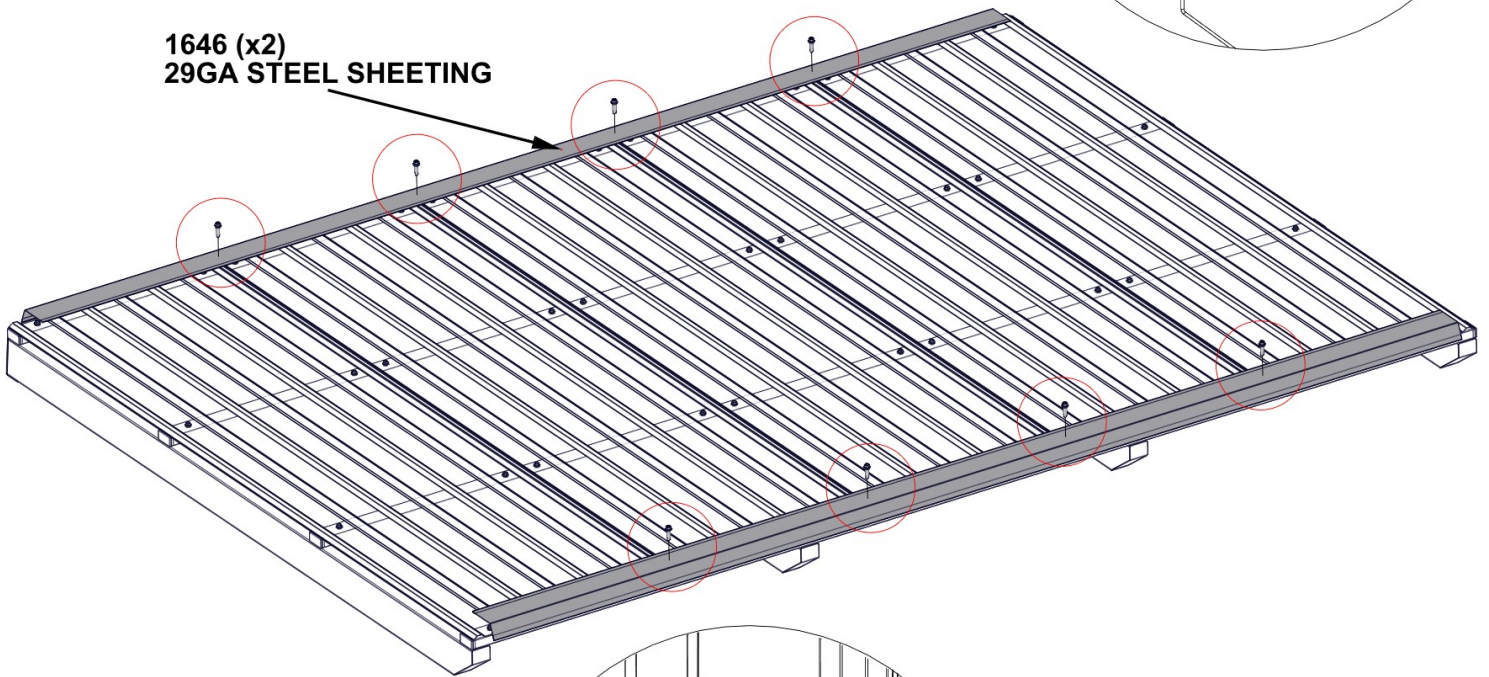
1116 (x8)
SCREW - 1"

NOTE: MAKE SURE SCREWS ARE ALIGNED WITH PURLINS

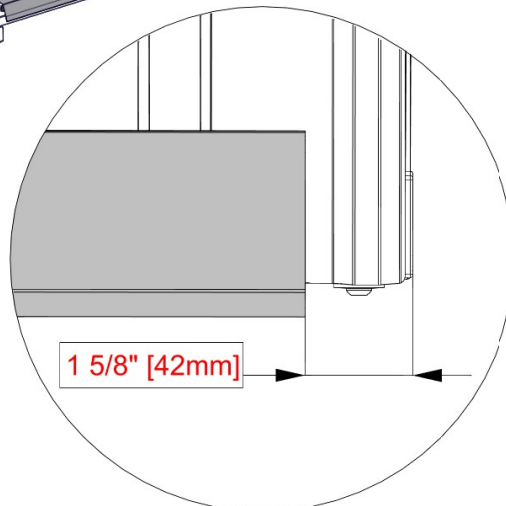
SCREWS GO THROUGH FRONT/BACK TRIM INTO THE TOP OF THE RIBS IN THE APPROXIMATE LOCATIONS SHOWN.



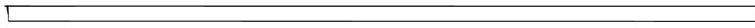
1646 (x2)
29GA STEEL SHEETING



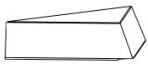
HOLD TRIM INSIDE OF ROOF PANEL MEASURING AS SHOWN FROM THE END OF E1. THIS WILL CENTER THE TRIM ON THE ROOF



STEP 21A - ROOF PANEL ASSEMBLY

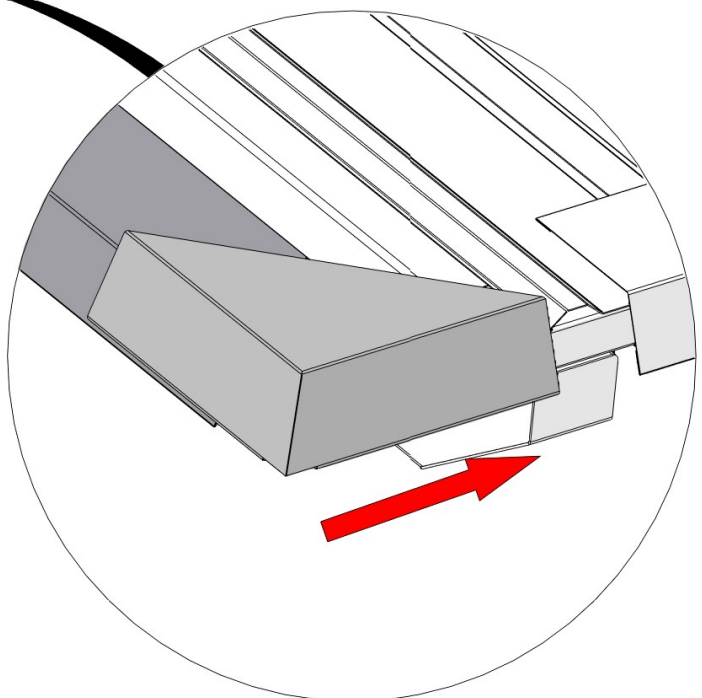
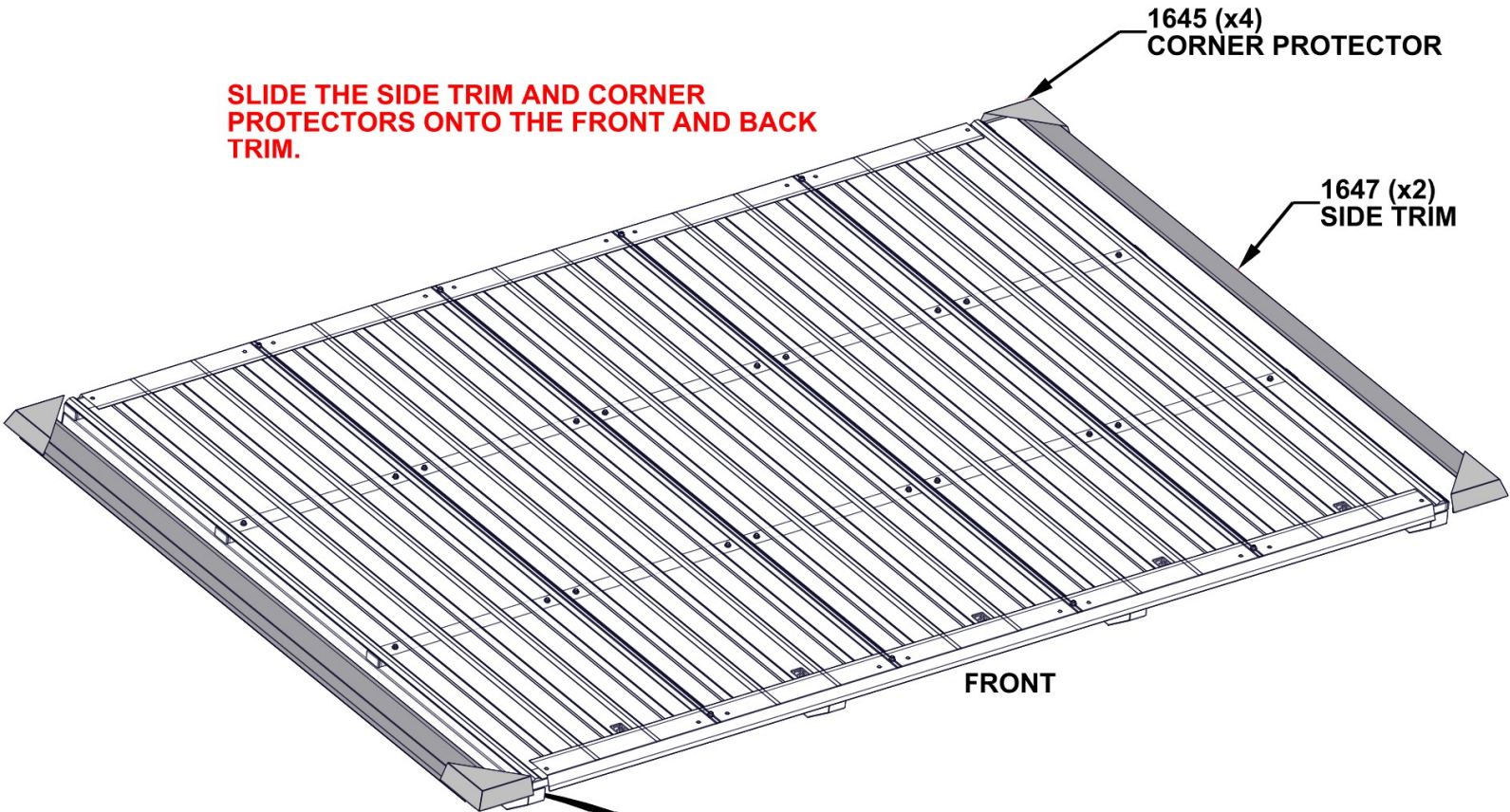


A4M01647 SIDE TRIM
(x2)



A4M01645 CORNER PROTECTOR
(x4)

SLIDE THE SIDE TRIM AND CORNER PROTECTORS ONTO THE FRONT AND BACK TRIM.

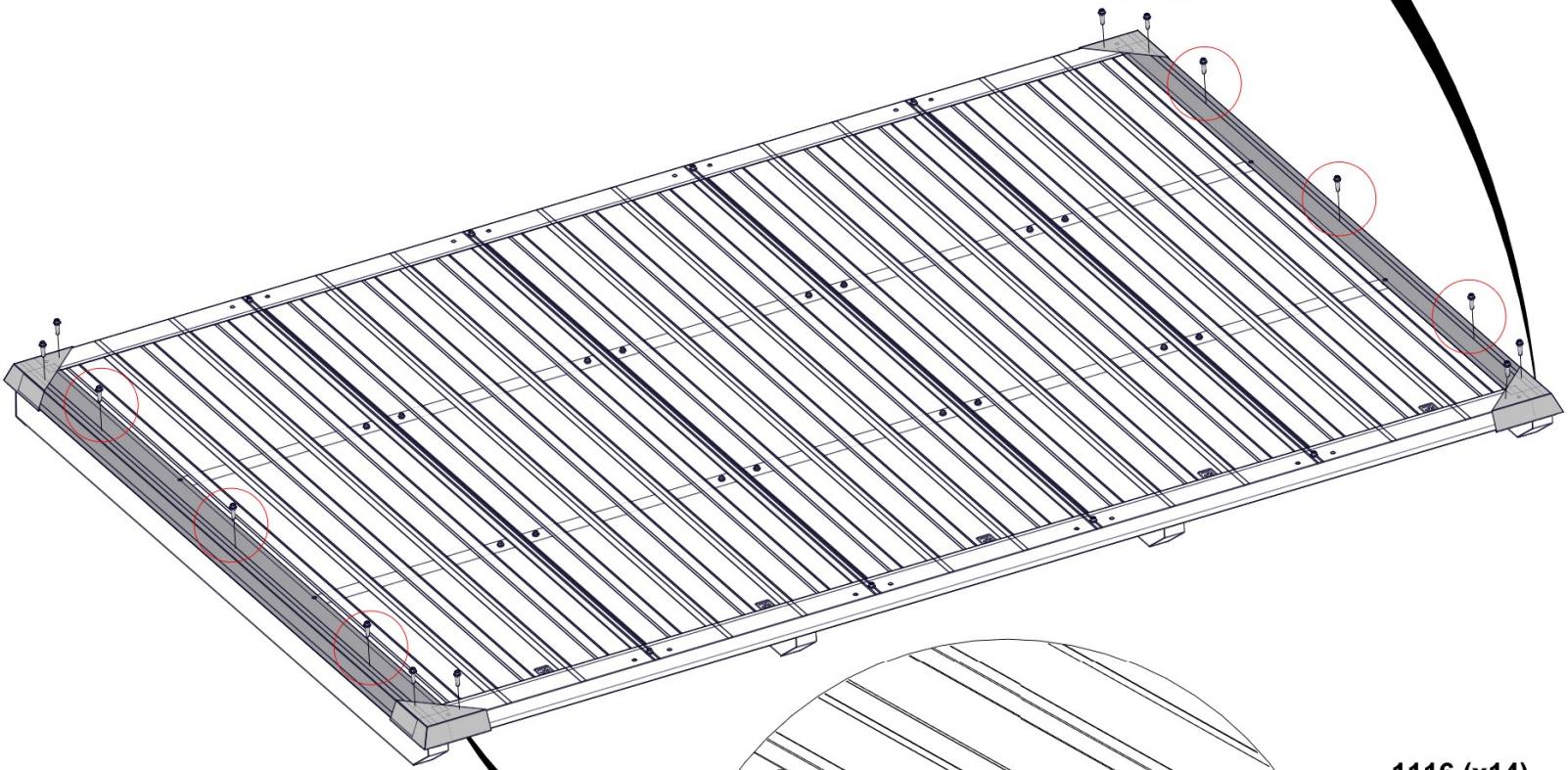
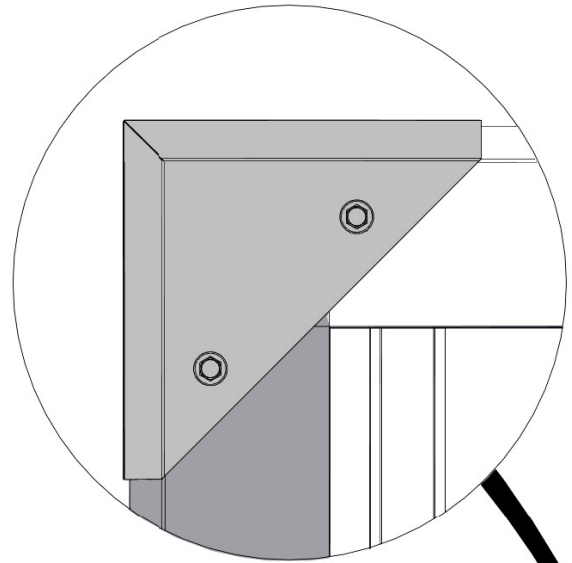


STEP 21B - ROOF PANEL ASSEMBLY

QTY	PART NUMBER	DESCRIPTION
14	H101116	SCREW SELF TAPPING 1/4x1 BLK

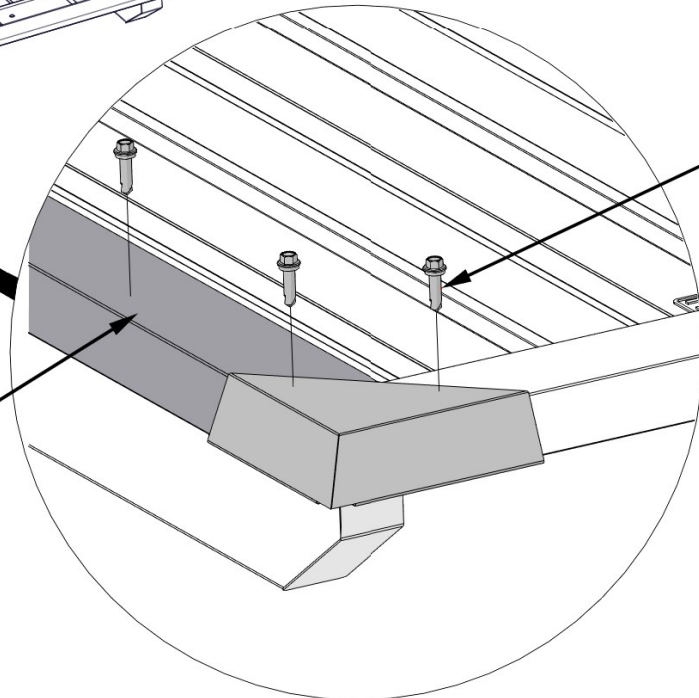
DUE TO MULTIPLE LAYERS OF METAL ON THE EDGE TRIM, IT IS RECOMMENDED THAT A 1/8" DRILL BIT IS USED TO CREATE STARTER

ENSURE THAT SCREWS ARE EVENLY SPACED OUT ON THE CORNER PROTECTORS AS SHOWN.



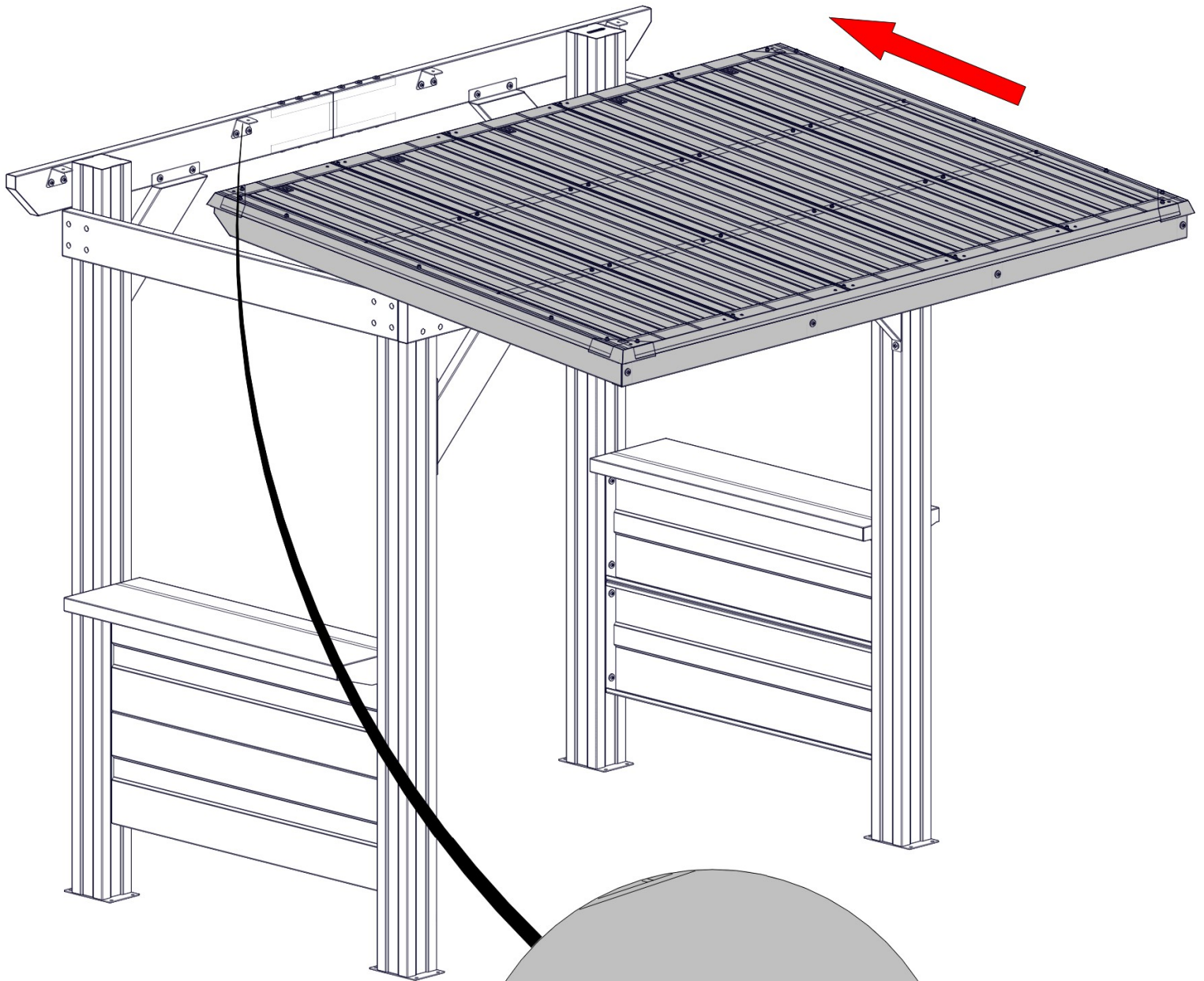
1116 (x14)
SCREW - 1"

ENSURE THAT SCREWS GO THROUGH THE TOP PORTION OF THE STEEL SHEETING RIB IN THE APPROXIMATE LOCATIONS SHOWN.

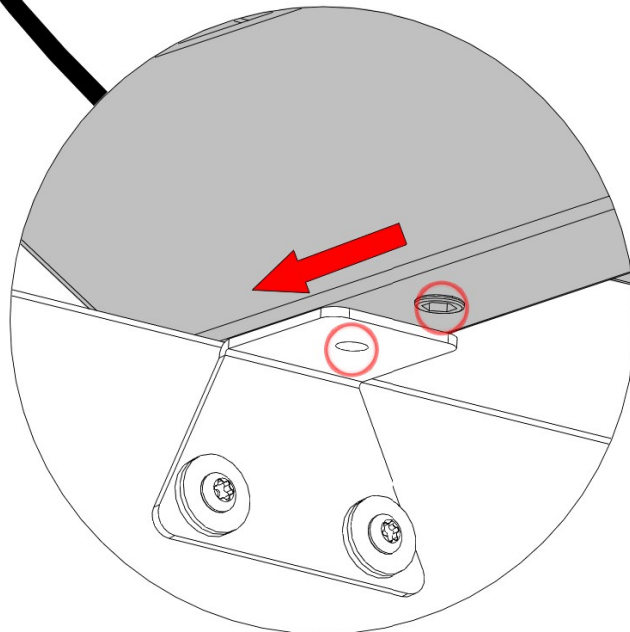


STEP 22A - ROOF PANEL ATTACHMENT

WITH AT LEAST ONE HELPER, LIFT UP THE ROOF PANEL AND SLIDE UP INTO PLACE FROM BACK OF GAZEBO.

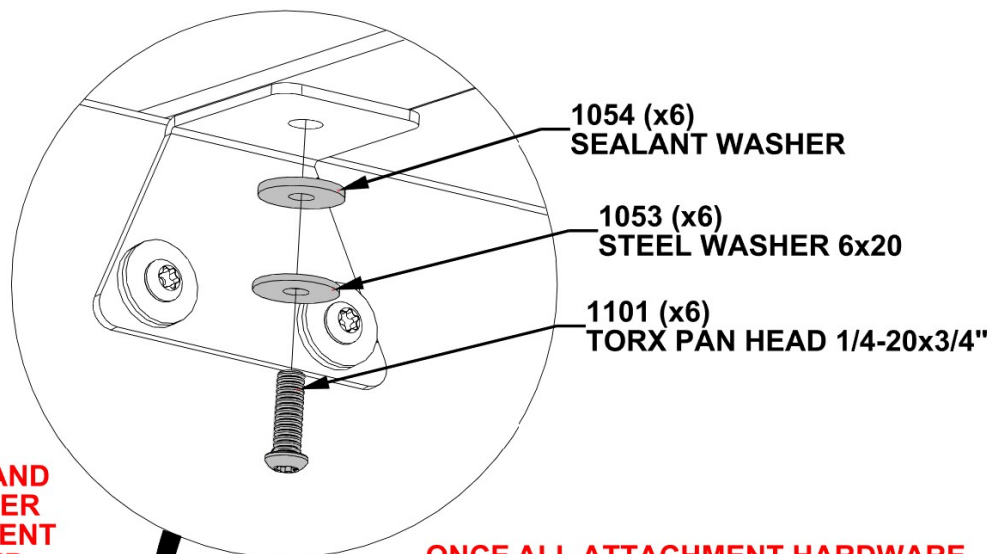


KEEP SLIDING THE ROOF PANEL INTO PLACE UNTIL THE INSERT IN THE JOIST LINES UP WITH THE HOLE IN THE RAFTER BRACKETS.



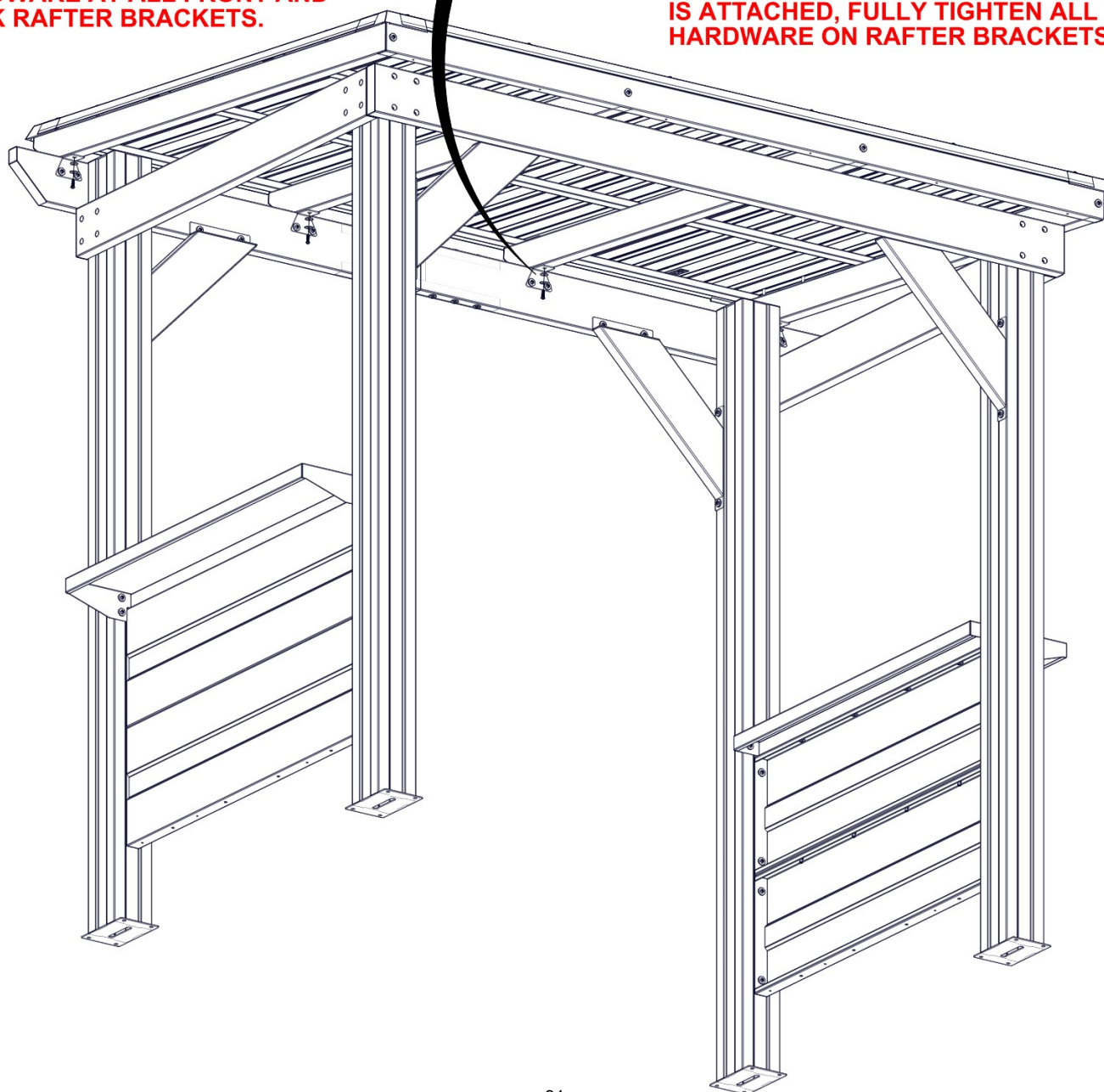
STEP 22B - ROOF PANEL ATTACHMENT

QTY	PART NUMBER	DESCRIPTION
6	H101053	STEEL WASHER 6x20
6	H101054	SEALANT WASHER
6	H101101	TORX PAN HEAD 1/4-20x3/4"



WITH ROOF PANEL IN PLACE AND INSERTS LINED UP WITH RAFTER BRACKETS, INSERT ATTACHMENT HARDWARE AT ALL FRONT AND BACK RAFTER BRACKETS.

ONCE ALL ATTACHMENT HARDWARE IS ATTACHED, FULLY TIGHTEN ALL HARDWARE ON RAFTER BRACKETS.

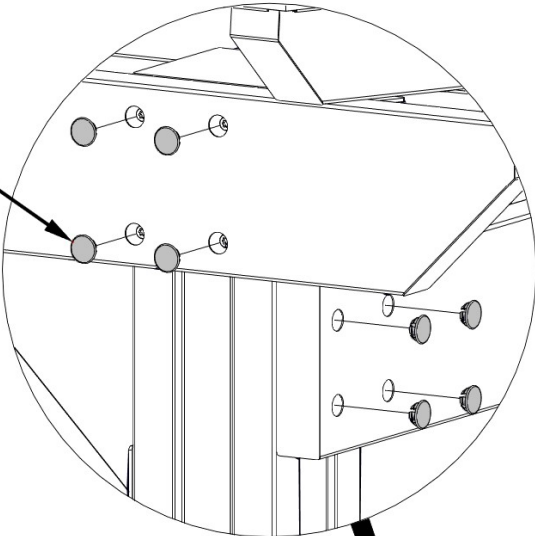


STEP 23 - GAZEBO ASSEMBLY

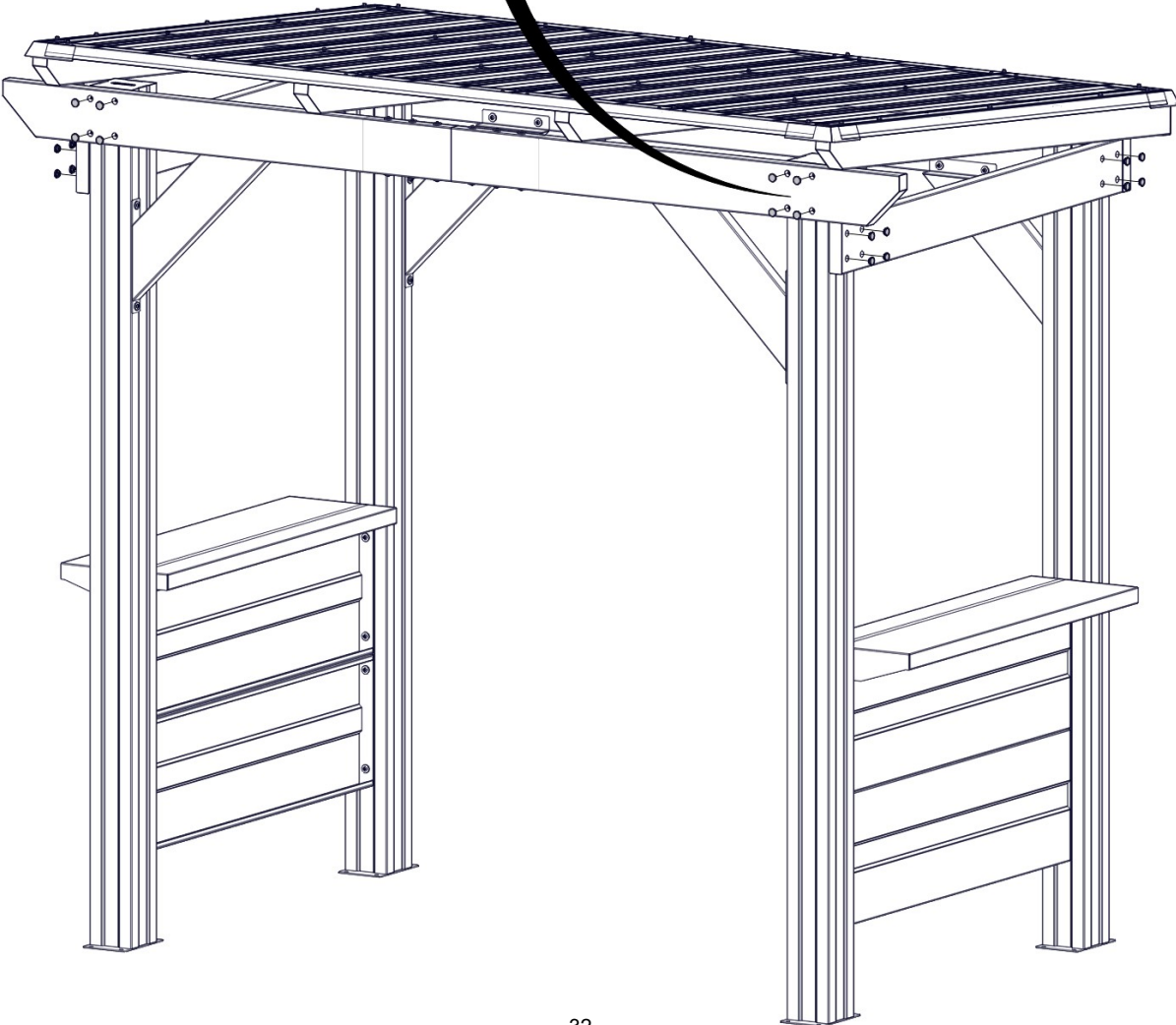


A4M01352 HOLE COVER
(x32)

1352 (x32)
HOLE COVER



**USE A SMALL PIECE OF WOOD TO TAP
HOLE COVERS IN WITH A RUBBER Mallet.**

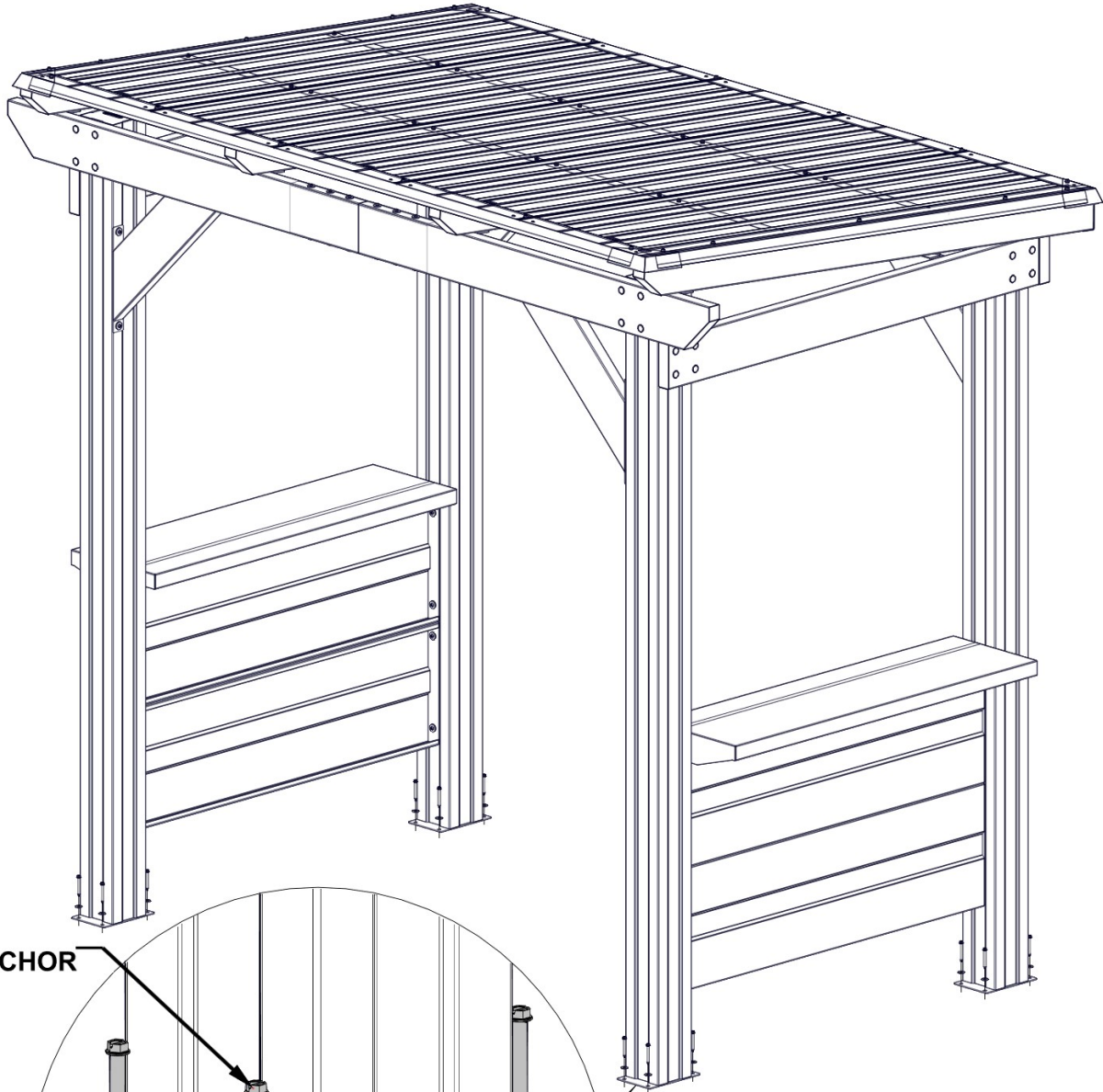


STEP 24 - GAZEBO ASSEMBLY

QTY	PART NUMBER	DESCRIPTION
16	H100120	CONCRETE ANCHOR 1/4"x2"
16	H100630	WASHER FLAT 8x19 BLK

MANUFACTURER RECOMMENDS INSTALLATION ON CONCRETE SURFACE OR CONCRETE POST PAD AS SHOWN BELOW.

FOR INSTALLATION ON WOOD DECK, YOU MUST ENSURE THERE IS AMPLE STRUCTURAL SUPPORT UNDER THE DECK. HARDWARE NOT INCLUDED FOR DECK ATTACHMENT.

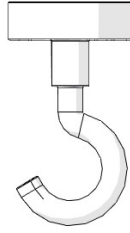


120 (x16)
CONCRETE ANCHOR

630 (x16)
WASHER - 8x19

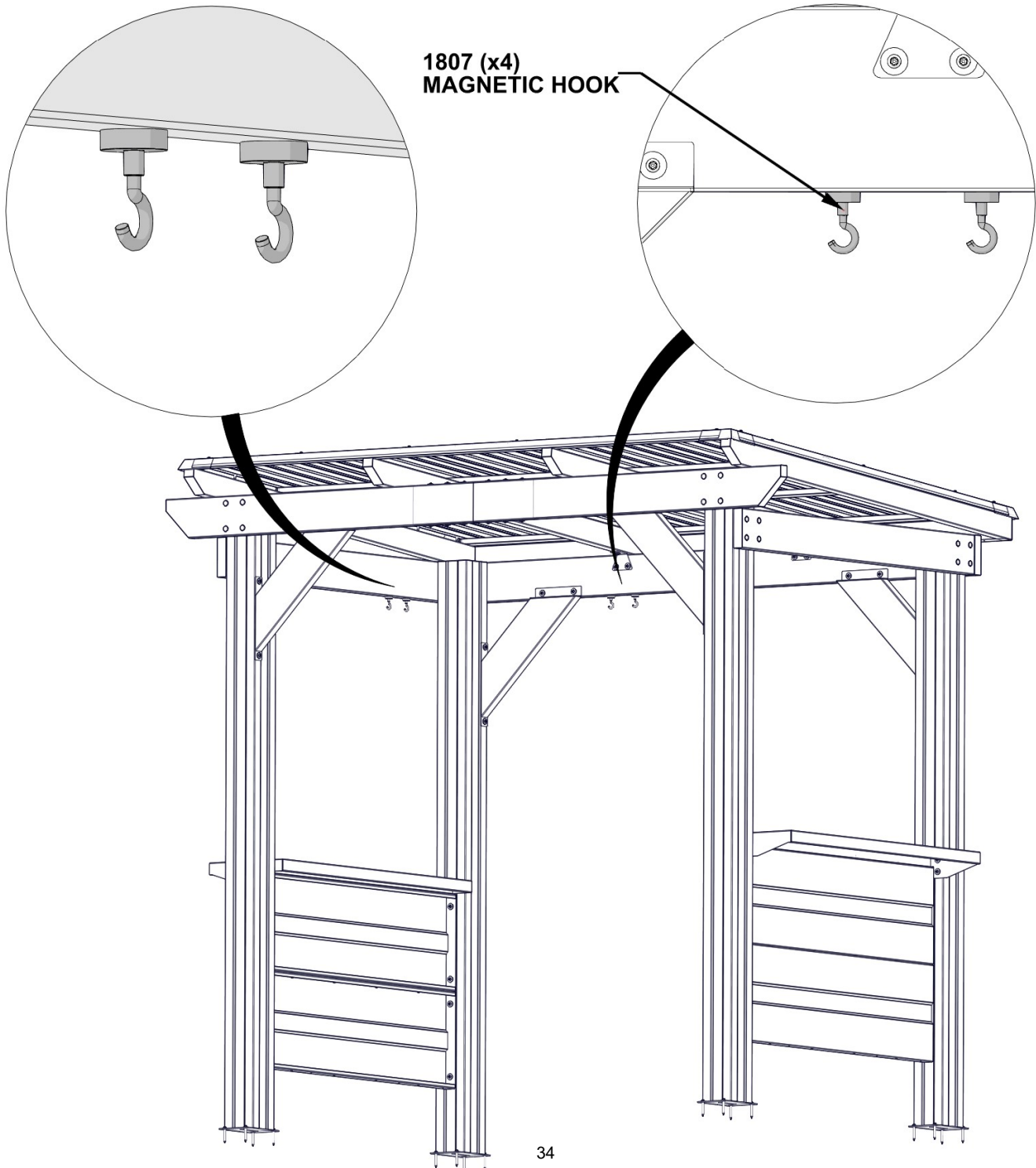
PRE-DRILL HOLES FOR CONCRETE ANCHORS USING A 3/16" CONCRETE DRILL BIT.

STEP 25 - GAZEBO ASSEMBLY

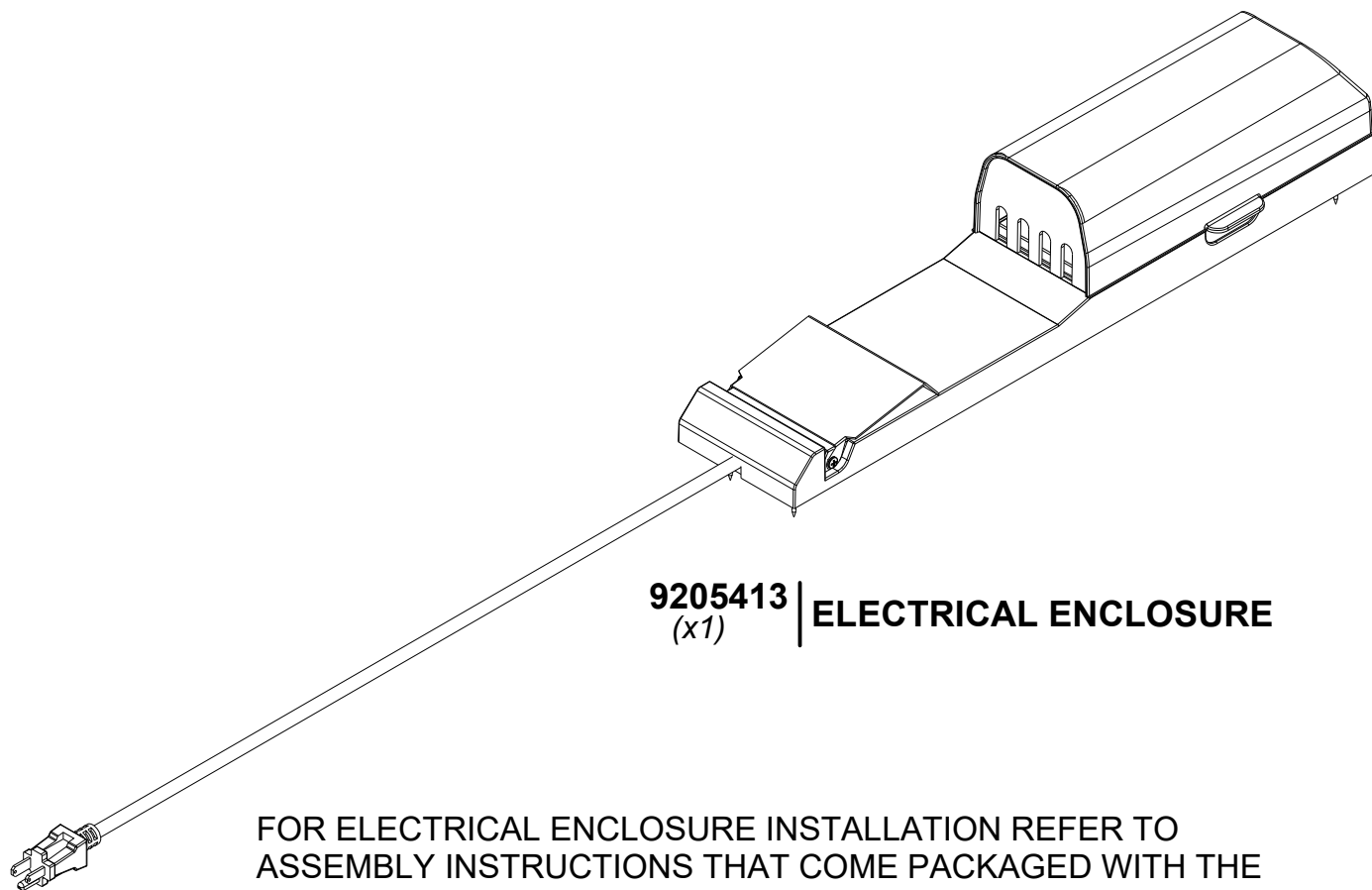


A4M01807 MAGNETIC HOOK
(x4)

MAGNETIC HOOKS CAN BE ATTACHED ON ANY METAL SURFACE ON THE GAZEBO. FOR MAXIMUM STRENGTH AND SUPPORT, IT IS RECOMMENDED TO ATTACH ON BOTTOM SIDE OF BACK OR SIDE BEAMS.



ELECTRICAL ENCLOSURE



9205413 | **ELECTRICAL ENCLOSURE**
(x1)

FOR ELECTRICAL ENCLOSURE INSTALLATION REFER TO ASSEMBLY INSTRUCTIONS THAT COME PACKAGED WITH THE ELECTRICAL ENCLOSURE KIT. INSTALL ON ANY POST THAT IS DESIRED. FOLLOW DIRECTIONS FOR PROPER INSTALLATION.