



# Mariposa® | K-1239

60" x 36" drop-in whirlpool bath

## Features

- 60"L x 36"W x 20"H
- Extra width enhances comfort
- Five adjustable ProFlex® whirlpool jets for bather comfort
- Innovative technology enables this pump to provide a strong, steady level of hydromassage
- Textured bottom surface



## Available Colors/Finishes

*Color tiles intended for reference only.*

- 0 White



1-800-4KOHLER (1-800-456-4537)  
Kohler Co. reserves the right to make revisions without notice to product specifications.  
For the most current specification sheet, go to [www.kohler.com](http://www.kohler.com) USA or [www.kohler.ca](http://www.kohler.ca) Canada.  
5-12-2026 18:15 - US-CA

THE BOLD LOOK  
OF **KOHLER**®

## Codes/Standards

ASME A112.19.7/CSA B45.10  
CSA B45.5/IAPMO Z124  
ASTM E162  
ASTM E662  
UL 1795  
UL Listed

## Technical Information

*All product dimensions are nominal.*

Drain Location:	Reversible
Drain Hole Diameter:	2-1/4" (57 mm)
Minimum Flat for Door:	1-15/16" (49 mm)
Basin Area, Bottom:	46" x 24" (1168 mm x 610 mm)
Basin Area, Top:	54" x 27" (1372 mm x 686 mm)
Water Depth:	14" (356 mm)
Water Capacity:	63 gal (238.5 L)
Minimum Floor Load:	44 lbs/ft <sup>2</sup>
Weight:	105 lbs (47.6 kg)
Cutout:	Drop-in, 58" x 34" (1473 mm x 864 mm)

## Material

- Acrylic

## Recommended Products/Accessories

- K-1601 Bath/whirlpool footstap, removable
- K-23726 Drain treatment
- K-23732 Tub & shower cleaner
- K-7213 Cable bath drain with PVC tubing
- K-7214 Cable bath drain, less PVC tubing
- K-706000-D3 Sliding bath door, 62" H x 56-5/8 - 59-5/8" W, with 1/4" thick Frosted glass
- K-706000-L 62" H sliding bath door with 1/4"-thick glass
- K-706003-L Sliding bath door, 62" H x 56-5/8 - 59-5/8" W, with 3/8" thick Crystal Clear glass
- K-706004-D3 Sliding bath door, 62" H x 56-5/8 - 59-5/8" W, with 1/4" thick Frosted glass
- K-706004-L Sliding bath door, 62" H x 56-5/8 - 59-5/8" W, with 1/4" thick Crystal Clear glass
- K-706007-L Sliding bath door, 62" H x 56-5/8 - 59-5/8" W, with 3/8" thick Crystal Clear glass
- K-7265 Brass toe tap bath drain
- K-7259 Brass toe tap bath drain

## Required Products/Accessories

- K-T37392 Rotary-turn bath drain trim
  - K-T37391 Rotary-turn bath drain trim
- or
- K-78439 45" cable bath drain
  - K-37385 Rough-in cable drain, PVC, 45" cable, less horizontal tube
- or
- K-78438 30" cable bath drain
  - K-37383 Rough-in cable bath drain, PVC, 30" cable with tubing



---

## Required Electrical Service

One dedicated circuit required, protected with Class A Ground-Fault Circuit-Interrupter (GFCI). Outside North America, this device may be known as a Residual Current Device (RCD).

Pump: 120 V, 15 A, 60 Hz

## Electrical Component Ratings

Pump: 120 V, 7.5 A, 60 Hz

Number of Speeds: Single

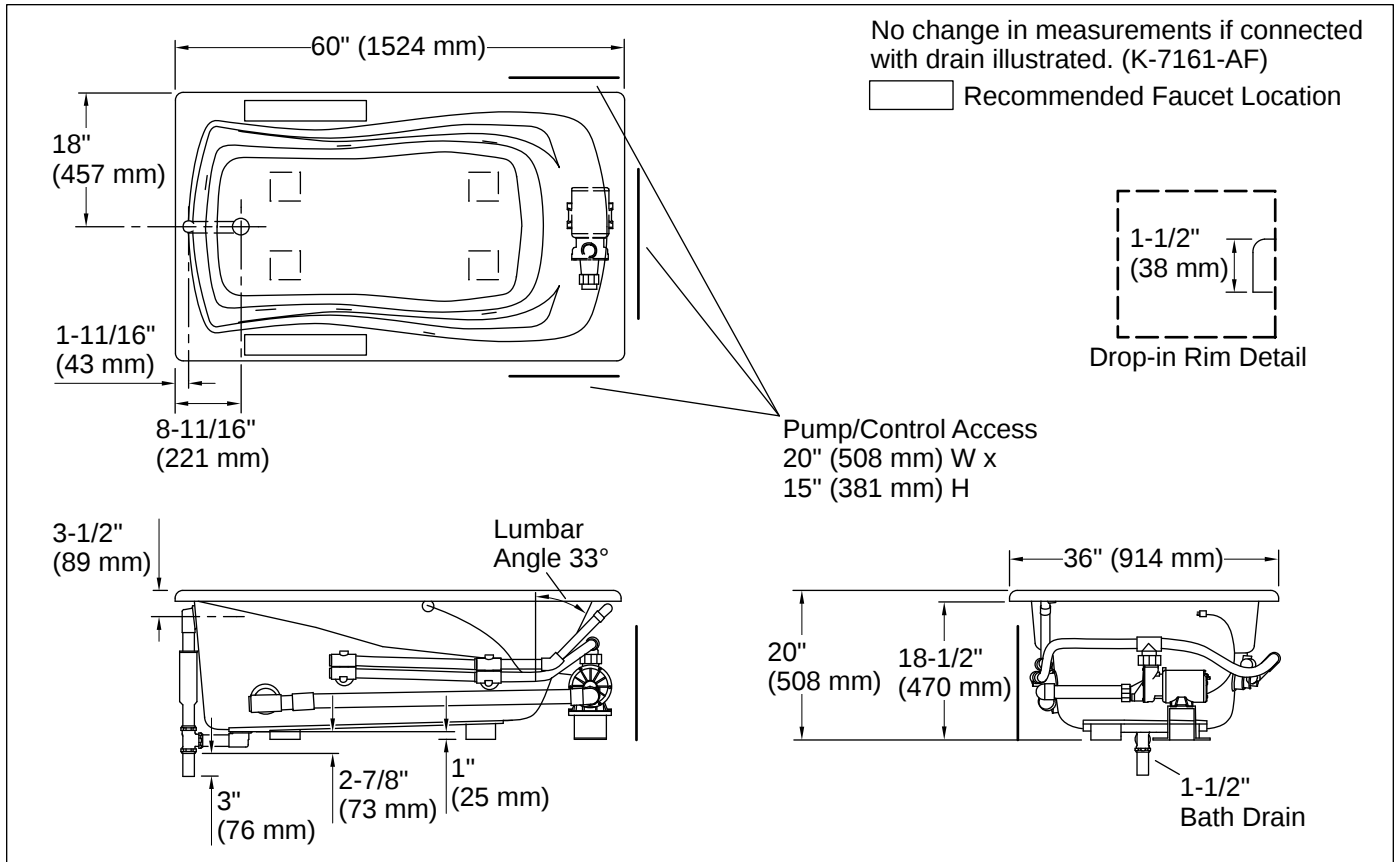
---

## Warranty

*See website for detailed warranty information.*

KOHLER® Plastic Baths and Shower Bases Lifetime Limited  
Warranty|KOHLER® Hydrotherapy Components Five-Year Limited  
Warranty





## Installation

- Alcove

## Installation Notes

*Install this product according to the installation instructions.*

Measure your actual product for rough-in details.

The hot water supply should be 70% of the capacity of the bath or greater. Installations will vary.

If installing a rim-mount faucet, make sure there is no interference above or below the deck before drilling any holes.

