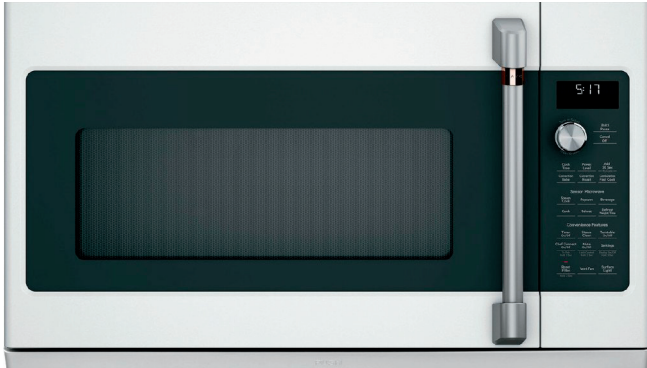


CAFE™ 2.2 Cu. Ft. Over-the-Range Sensor Microwave Oven with Extended Reach Ventilation

CAFE

CVME22S0ZSS



FEATURES & BENEFITS

Extended Reach Ventilation – A discreet slide-out vent extends when needed to double smoke and odor capture, then tucks away for a beautifully streamlined appearance

Create a streamlined cooking experience - Simplify your cooking steps by using Chef Connect to automatically activate vents and surface lights when a range element is turned on, as well as sync your microwave and range clocks

A simple and smart addition to your culinary repertoire – Fresh vegetables and rice are perfectly prepared with a steam cook button that simplifies the entire process

Say goodbye to guesswork – Enjoy consistently delicious results with sensor cooking controls that automatically adjust the time and power

Brighten up the room – Illuminate the entire cooking surface with crisp, clear LED cooktop lighting that can also save on energy costs

Sparkling clean with just a wipe – Focus on the food and forget the mess knowing that the easy-clean interior with steam clean lets you swiftly wipe away spills and splatters

Like a breath of fresh air – Keep your kitchen ready for guests with a three-speed, 400-CFM venting system that removes smoke, grease, odors and moisture

A subtle reminder for filter replacement – Keep your kitchen smelling fresh and clean with an upfront charcoal filter with indicator light that lets you know when the filter needs to be replaced

Cook your way with just one touch of a button – Enjoy the convenience of one touch cooking with My Cycle, a custom cycle that remembers the exact time and temperature settings of your favorite foods

More room for more food – Entertaining unexpected guests is easy with the 2.2 cu. ft. capacity that helps prepare a large amount of food quickly

Create a look that matches your personal style – Select any combination of premium finishes and hardware options to create a stunning look customized to any owner's taste

APPEARANCE

Case Color	Gray
Color Appearance	Stainless Steel
Door Color	Stainless Steel
Smooth Steel Door	Yes, with Hidden Hinge
Handle	Stainless Steel Appearance
Oven Door Features	Oven Window

FEATURES

Cooking Technology	Microwave
Electronic Digital Display with Clock	Yes (LED)
Microwave Watts (IEC-705)	1000W
Power Levels	10
Turntable	Glass
Turntable Size	14.2 in
Microwave Sensor Cooking Controls	Popcorn; Reheat; Cook (5 Foods); Beverage; Steam Cook; Defrost: Weight/Time
Control Features	Start/Pause; Clear/Off; Power; Add 30 Seconds; Cook Time; Steam Clean; Chef Connect; Timer On/Off; Turntable On/Off; Mute On/Off; Settings; Vent Fan; Surface Light; My Cycle
Microwave Oven Interior	Easy Clean Coated
Control Type	Dial; Electronic Touch
Cooking Modes	Microwave
Style	Over-The-Range
Cooktop Lighting	LED; High/Low/Off
Exhaust Fan	4-Speed; 400-CFM
Interior Oven Light	Halogen
Multi-Language Capability	English/Spanish
Turntable On / Off	Yes

CAPACITY

Total Capacity (cubic feet)	2.2 cu ft
Vent CFM	400

ECONOMICAL/QUIET

Venting Type	Externally Vented
--------------	-------------------

TECHNICAL DETAILS

Electrical Input - 120V Watts	1700
Input Volts/Hertz	120/60

ACCESSORIES

Optional Side Filler Panel Kit	JX36BSS
Recirculating Charcoal Filter Kit	WB06X10807 (included)

WEIGHTS & DIMENSIONS

Approximate Shipping Weight	74 lb
Cavity (W x H x D)	21-15/16 x 11-5/8 x 14-9/16 in
Net Weight	64 lb
Overall Depth	15-9/16 in, 17-15/16 in (including handle)
Overall Height	16-5/16 in
Overall Width	29-7/8 in
Cabinet Width	30 in

WARRANTY

Parts Warranty	Limited 1-Year Entire Appliance Limited 5-Year Magnetron
Labor Warranty	Limited 1-Year Entire Appliance
Warranty Notes	See Written Warranty for Full Details

CAFÉ™ 2.2 Cu. Ft. Over-the-Range Sensor Microwave Oven with Extended Reach Ventilation



CVME22S0ZSS

DIMENSIONS AND INSTALLATION INFORMATION (IN INCHES)

Note: Requires 120V grounded outlet. Electrical receptacle must be located in cabinet above microwave oven. No additional wiring, venting or cabinet rebuilding necessary in many cases. Complete detailed, easy-to-follow installation instructions and convenient full-size templates are packed with the microwave oven.

Important Information: When installing the microwave oven over a range, allow minimum of 2" from bottom of microwave oven to top of range backguard to allow for removal of light covers.

Ventilation Options: The microwave ovens are designed for adaptation to the following three types of ventilation:
 – Outside exhaust (vertical – as shown)
 – Outside exhaust (horizontal)
 – Recirculating (non-vented ductless – see Filter Kit drawing)

Installation Information: This information is not intended to be used for installing unit described. Before installing, consult installation instructions packed with product/kit for current dimensional data.

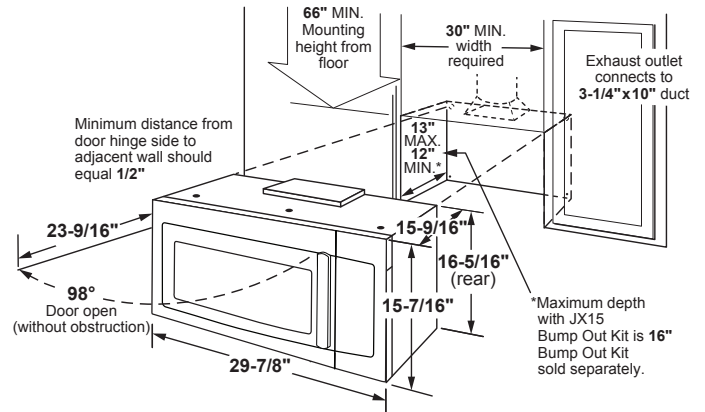
Hood Exhaust Duct: Outside ventilation requires a HOOD EXHAUST DUCT. Read the following carefully.

Exhaust Connection: The hood exhaust has been designed to mate with a standard 3-1/4" x 10" rectangular duct. If a round duct is required, a rectangular-to-round transition adaptor must be used. Do not use less than a 6" diameter duct.

Rear Exhaust: If a rear or horizontal exhaust is to be used, care should be taken to align exhaust with space between studs, or wall should be prepared at the time it is constructed by leaving enough space between the wall studs to accommodate exhaust.

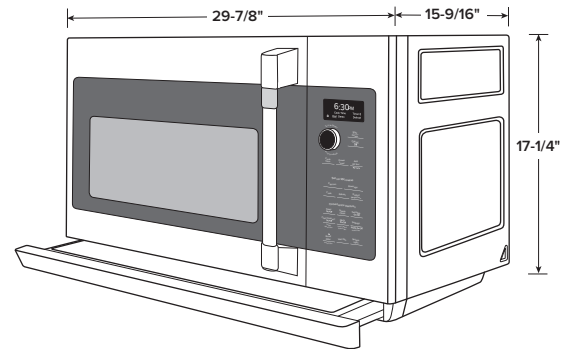
Maximum Duct Length: For satisfactory air movement, the total duct length of 3-1/4" x 10" rectangular or 6" diameter round duct should not exceed 140 equivalent feet.

Elbows, Transitions, Wall and Roof Caps, etc., present additional resistance to airflow and are equivalent to a section of straight duct which is longer than their actual physical size. When calculating the total duct length, add the equivalent length of all transitions and adaptors plus the lengths of all straight duct sections. The chart to the right shows the approximate feet of equivalent length of some typical ducts.



DUCT EQUIVALENT FEET

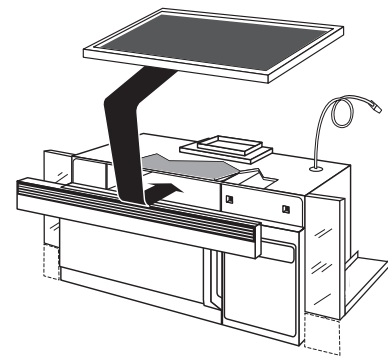
DUCT	EQUIVALENT FEET
A. Rectangular-To-round Transition Adaptor	5 ft.
B. Wall Cap	40 ft.
C. 90° Elbow	10 ft.
D. 45° Elbow	5 ft.
E. 90° Elbow	25 ft.
F. 45° Elbow	5 ft.
G. Roof Cap	24 ft.



OPTIONAL ACCESSORIES (AVAILABLE AT ADDITIONAL COST)

Filler Panel Kits JX36BSS

When replacing a 36" range hood, this kit fills in the additional width to provide a custom built-in appearance. For installation between cabinets only; not for end-of-cabinet installation. Each kit contains two 3"-wide filler panels.



ADDITIONAL ACCESSORIES



CXOTRHKPMBZ
Brushed Bronze
1 handle



CXOTRHKPMSS
Brushed Stainless
1 handle



CXOTRHKPMBT
Brushed Black
1 handle



CXOTRHKPMCU
Brushed Copper
1 handle



CXOTRHKPMCG
Brushed Brass
1 handle



CXOTRHKPMFB
Flat Black
1 handle