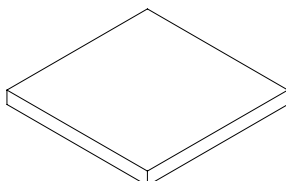
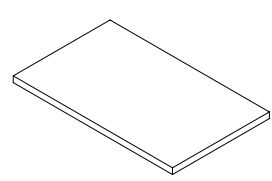
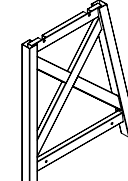
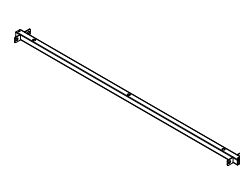
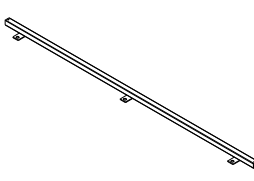
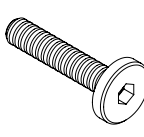
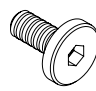
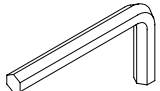
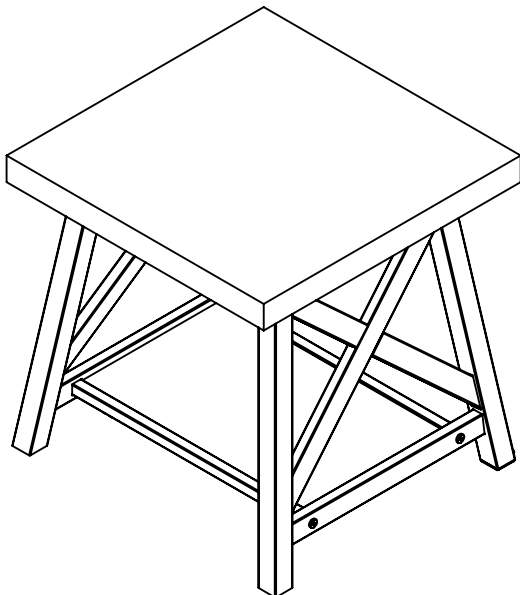


ASSEMBLY INSTRUCTION

END TABLE WITH SHELF

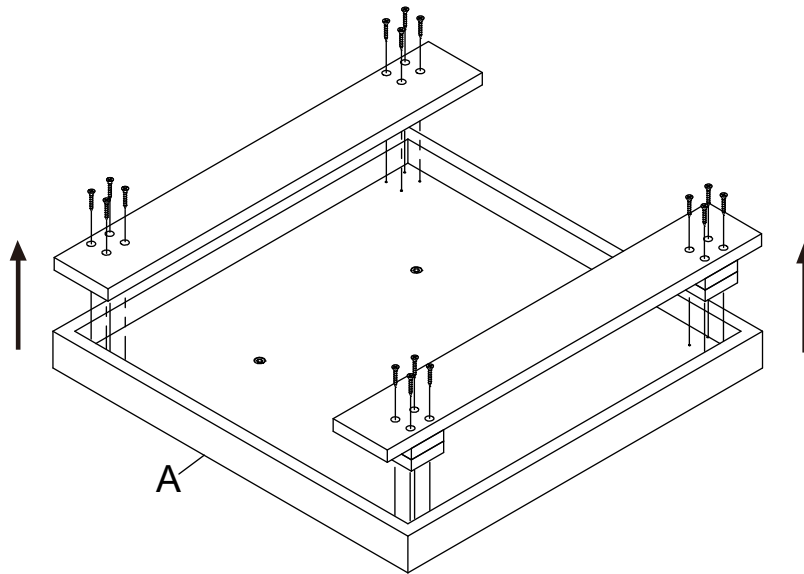
A Top Panel	B Lower Shelf	C Side Frames	D Upper Cross Bars
			
1PC	1PC	2PCS	2PCS
E Lower Cross Bars	F Bolts 1/4"x1-1/4"xØ15	G Bolts 1/4"x5/8"xØ15	H Allen Wrench 1/4"
			
2PCS	4PCS	20PCS	1PC



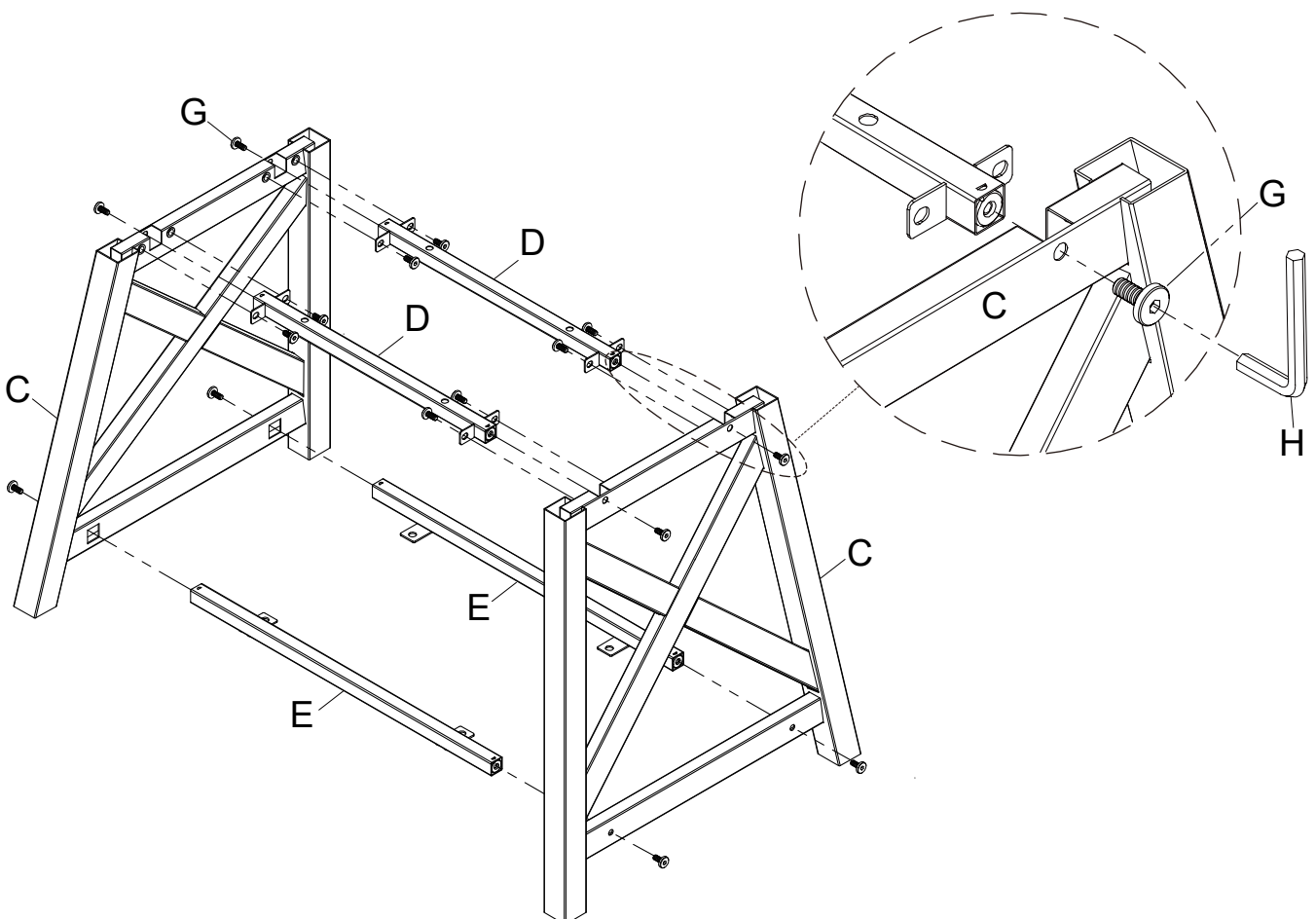
This page lists all the contents included in the box. Please take the time to identify the hardware as well as the individual components to this product. As you unpack and prepare for assembly, place the contents on a carpeted or padded area to protect them from damage.

***Do not tighten screws & bolts until the entire unit is completely assembled.

- 1 Use the Philips Screwdriver (not provided) to loosen the screws and remove the MDF boards from the Top Panel (A).

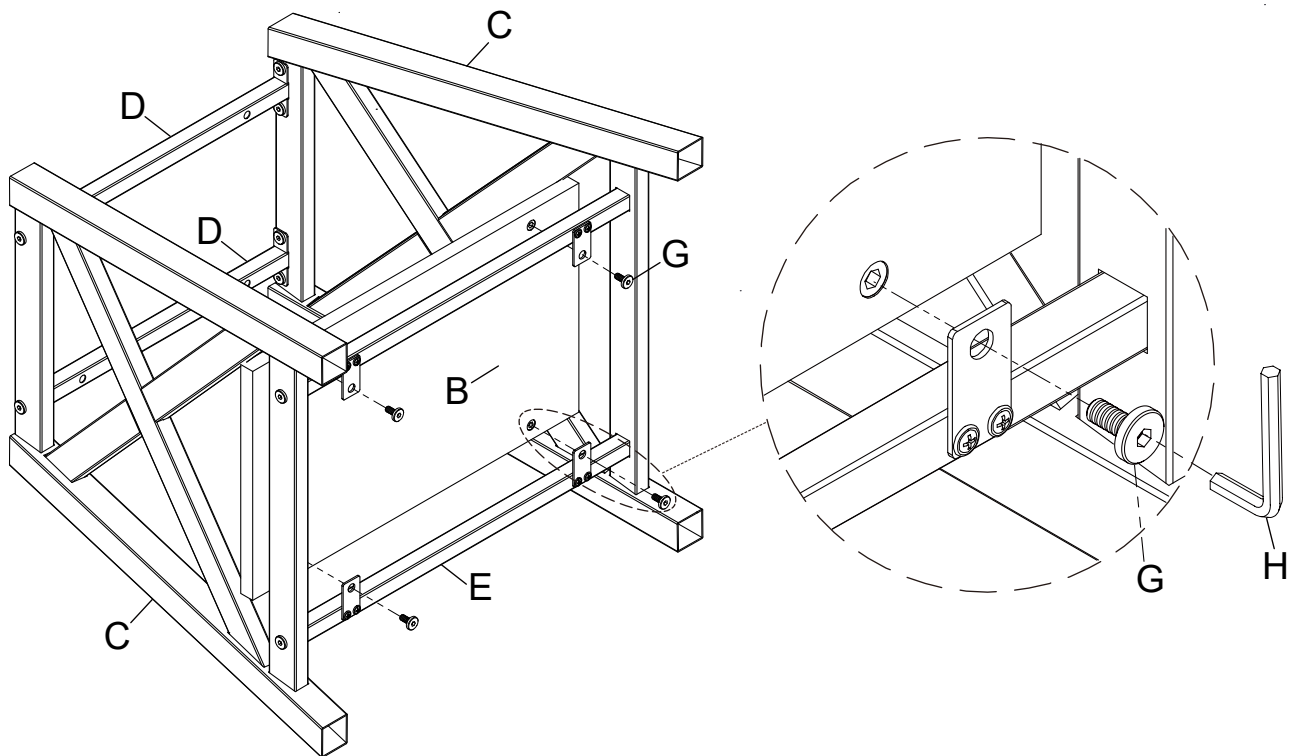


- 2 Attach both Side Frames (C) to Upper Cross Bars (D) and Lower Cross Bars (E) using Bolts (G) and Allen Wrench (H) as shown.

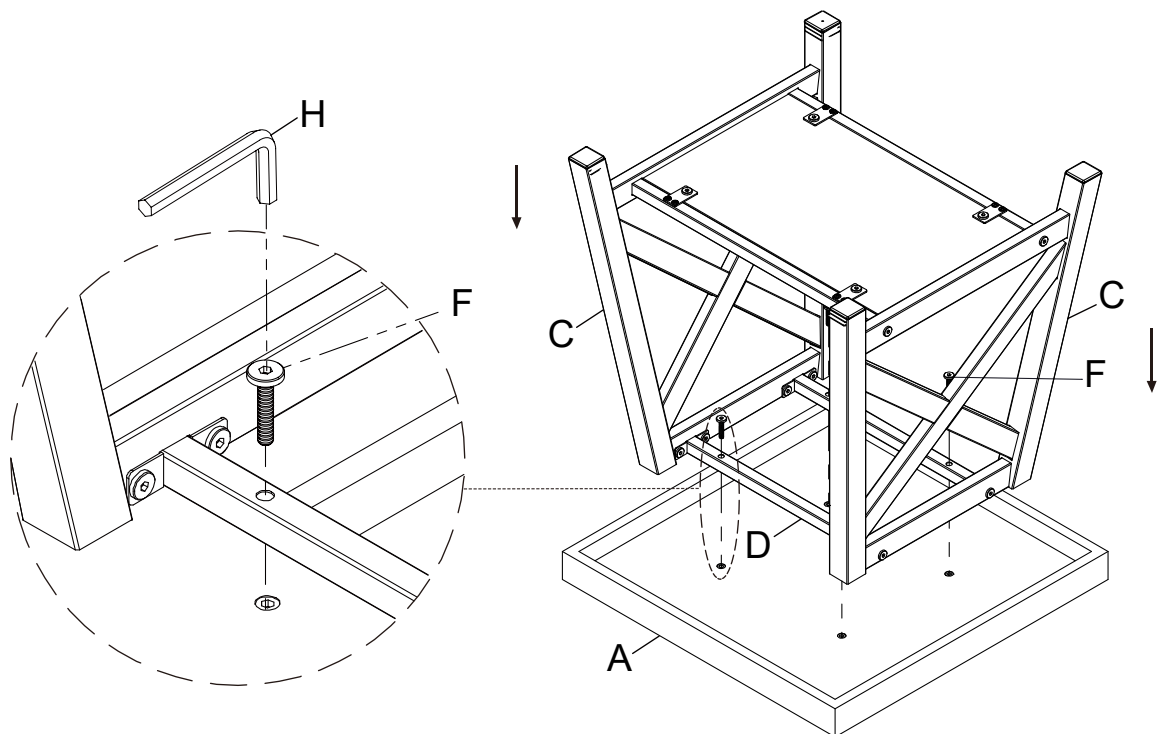


3

Attach Lower Shelf (B) to Lower Cross Bars (E) using Bolts (G) and Allen Wrench (H).

**4**

Attach Top Panel (A) to Upper Cross Bars (D) using Bolts (F) with Allen Wrench (H).



Cleaning & Care

Treat surface with care. Surface is resistant to scratches but is not scratch resistant. Clean surfaces with a dry or damp soft cloth. Do not use abrasive cleaners. Hardware may loosen over time. Periodically check that all connections are tight.