

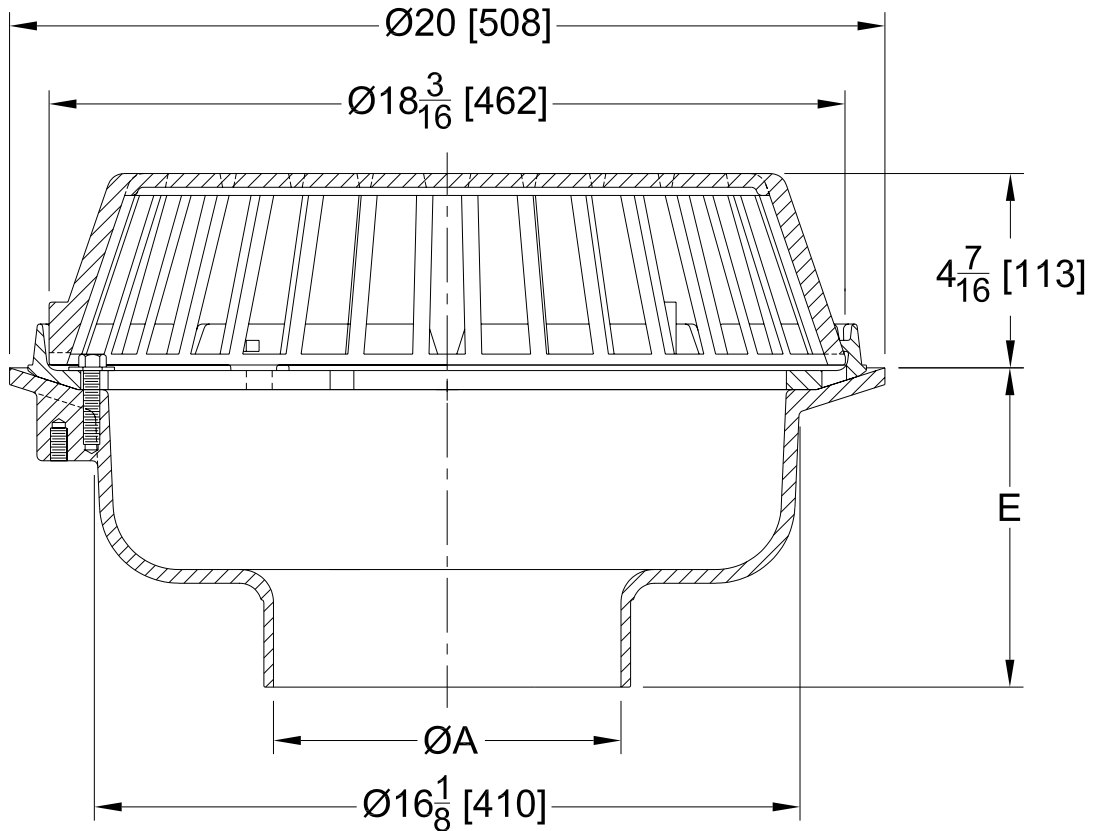


Z101
HIGH CAPACITY 20 [508] DIAMETER MAIN ROOF
DRAIN LOW SILHOUETTE DOME

SPECIFICATION SHEET

TAG _____

Design and Dimensional Data (inches and [mm]) are Subject to Manufacturing Tolerances and Change Without Notice



A - Pipe Size In. [mm]	Approx. Wt. Lbs. [kg]	Dome Open Area Sq. In. [cm ²]
8 [203]	73 [33]	216 [1394]
10 [245]	74 [34]	
12 [305]	75 [34]	

ENGINEERING SPECIFICATION: ZURN Z101
 20" [508mm] Diameter roof drain. Dura-Coated cast iron body with combination membrane flashing clamp/gravel guard and low silhouette dome.

PIPE SIZE

3, 4, 6 [51, 76, 152]
 10 [254]

(Specify size) **OUTLET**

____ NH No-Hub
 ____ IC Inside-Caulk

'E' BODY HT. DIM.

7-5/16 [185]
 9-9/16 [243]

PREFIXES

____ Z D.C.C.I. Body with Cast Iron Dome*

SUFFIXES

____-AR	Acid Resistant Epoxy Coated	____-W2	[51] Internal Water Dam
____-C	Underdeck Clamp	____-W3	3 [76] Internal Water Dam
____-DP	Top-Set® Roof Deck Plate (Replaces both the -C and -R)	____-W4	4 [102] Internal Water Dam
____-E	Static Extension 1 [25] thru 4 [102] (Specify Height)	____-89	2 [51] High External Water Dam
____-EB	Top-Set® Adjustable Extension Assembly		
____-G	Galvanized Cast Iron		
____-R	Roof Sump Receiver		

* Regularly furnished unless otherwise specified.

⚠ WARNING: Cancer and Reproductive Harm - www.P65Warnings.ca.gov

⚠ ADVERTENCIA: Cáncer y daño reproductivo - www.P65Warnings.ca.gov

⚠ AVERTISSEMENT: Cancer et effets néfastes sur la reproduction - www.P65Warnings.ca.gov

Zurn Water, LLC | Specification Drainage Operation
 1801 Pittsburgh Avenue, Erie, PA 16502, Ph. 855.663.9876

In Canada | Zurn Water, LLC
 7900 Goreway Drive, Unit 10, Brampton, Ontario L6T 5W6, Ph. 877.892.5216

www.zurn.com

Rev. J
 Date: 03/25/26
 C.N. No. 147651
 Patent zurn.com/patents
 Prod. | Dwg. No. Z101

Page 1 of 1