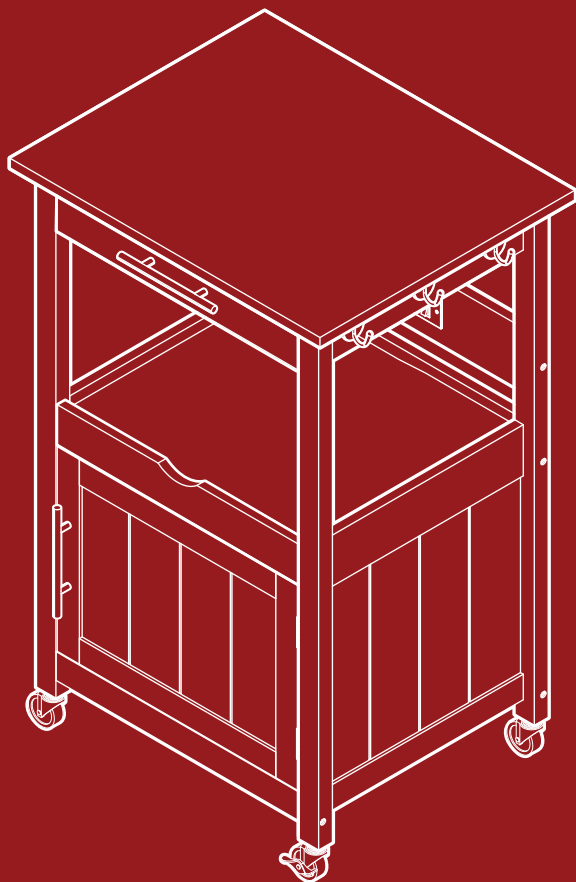




BEST CHOICE  
PRODUCTS



# INSTRUCTION MANUAL

---

Kitchen Island Cart



**BEST CHOICE  
PRODUCTS**

---

As shoppers, we're always trying to find the perfect balance between quality & value. At BCP, we believe we've achieved that. Our diverse catalog of everyday essentials is tailored especially to our customers & guaranteed to hit that sweet spot of high quality & low price.

— Always. —



44 LBS  
TOP BOARD  
CAPACITY



11 LBS  
DRAWER  
CAPACITY



33 LBS  
SHELF (EACH)  
CAPACITY



33 LBS  
BOTTOM BOARD  
CAPACITY



2 PERSON  
ASSEMBLY



UP TO 90 MIN.  
ASSEMBLY

## TOOLS REQUIRED



FLAT HEAD  
SCREWDRIVER



ALLEN WRENCH  
(PROVIDED)



SMALL WRENCH  
(PROVIDED)



POWER DRILL  
(OPTIONAL)

## ! NOTICE

Please retain these instructions for future reference.

- Please do not exceed the weight limitations of this item.
- Do not stand on or use any part of this item as a step ladder.
- Firmly secure all bolts, screws, and knobs before use.
- Reconfirm that all bolts, screws, and knobs are secure every 90 days.
- Do not use or store this item in the proximity of open flame or flammable/combustible chemicals.
- If any parts are missing, broken, damaged, or worn, stop using this item until repairs are made and/or factory replacement parts are installed.
- Do not use this item in a way inconsistent with the manufacturer's instructions as this could void the product warranty.
- Do not immerse this appliance in water, rinse under tap, spray with water, or keep in wet/humid areas.
- Do not use this product in an excessively humid or dusty environment.
- Keep product away from direct sunlight and other sources of heat (stove, heater, etc.).
- This product is intended for residential use only.

## ⚠ WARNING

- To reduce the risk of electric shock:
  - Do not exceed rating/maximum load: 15a 125v 60 hz 1800w.
  - For indoors use & in dry locations only.
  - Do not plug into another relocatable power tap.
- To prevent cord damage and tripping hazard:
  - Do not step or roll over cord.
  - Avoid extending cord over areas of foot traffic.

## HARDWARE

**A** M6 x 35mm  
CAM BOLT



12 PCS

**B**  $\Phi 15$  x 9.5mm  
CAM LOCK



12 PCS

**C**  $\Phi 8$  x 30mm  
DOWEL



28 PCS

**D**  $\Phi 4$  x 35mm  
SCREW



4 PCS

**E** HANDLE



2 PCS

**F** M4 x 16mm  
SCREW



4 PCS

**G** HINGE



2 PCS

**H**  $\Phi 3$  x 12mm  
SCREW



22 PCS

**I** METAL PLATE  
& SCREW



1 SET

**J** MAGNETIC  
FLASHING



1 PC

**K**  $\Phi 3$  x 14mm  
SCREW



2 PCS

**L**  $\Phi 3$  x 25mm  
SCREW



8 PCS

**M**  $\Phi 5$  x 50mm  
SCREW



8 PCS

**N** 320mm  
DRAWER  
RUNNER



2 PCS

**O** 278mm  
DRAWER  
RUNNER



2 PCS

**P** LOCKING  
CASTER



2 PCS

**Q** CASTER



2 PCS

**R** SIDE HOOK



3 PCS

**S**  $\Phi 3$  x 12mm  
SCREW



6 PCS

**T** POWER STRIP



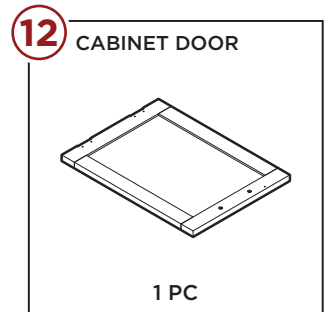
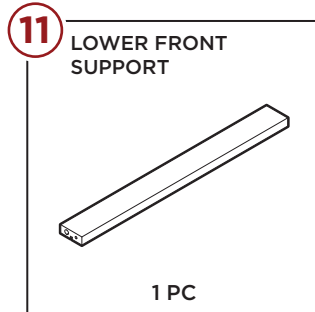
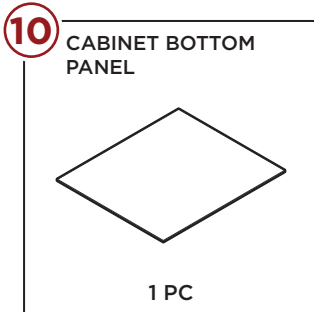
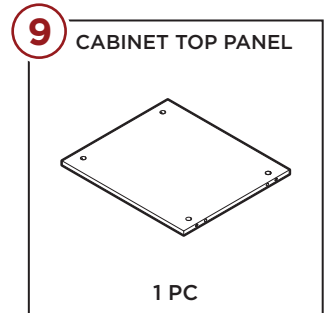
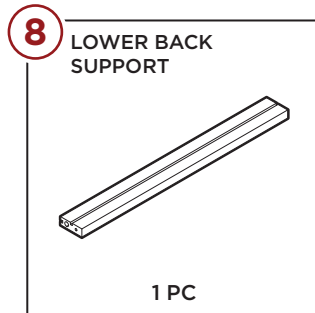
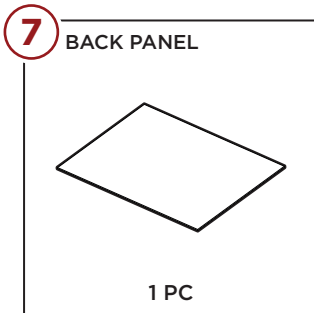
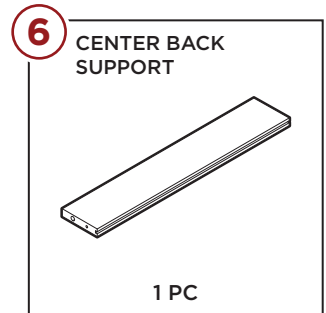
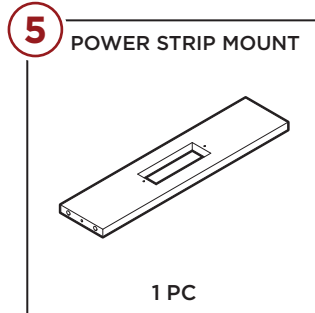
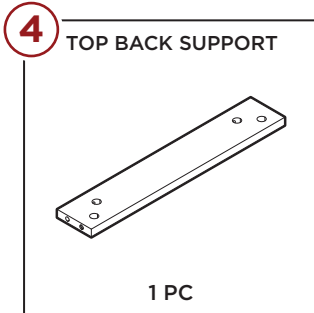
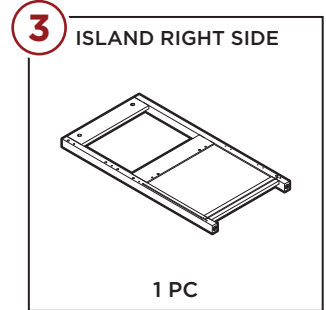
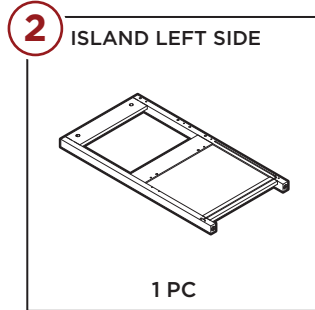
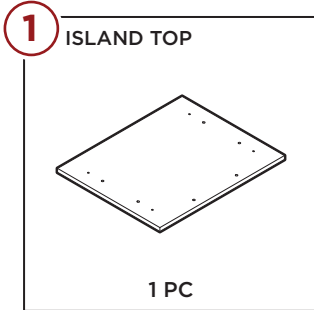
1 PC

**U**  $\Phi 4$  x 10mm  
SCREW

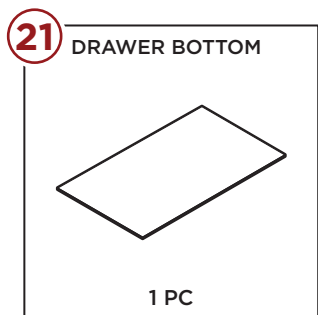
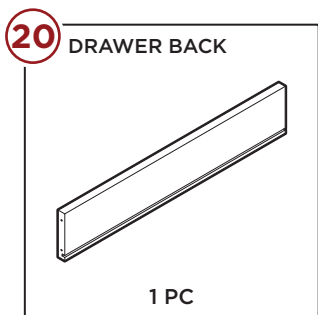
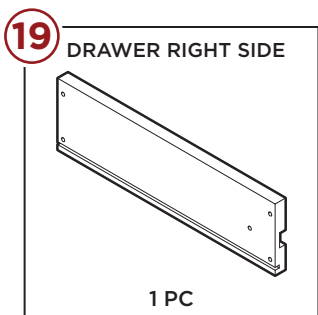
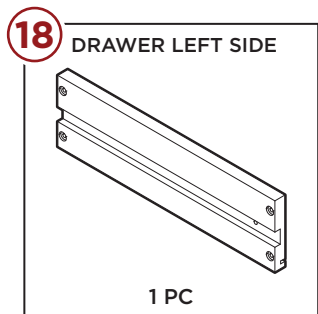
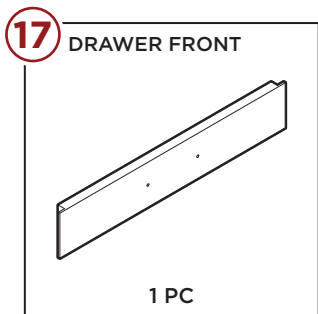
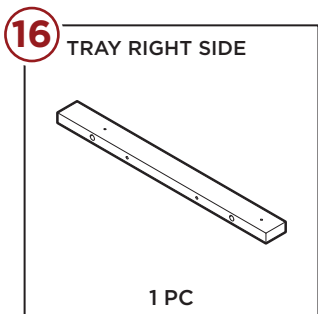
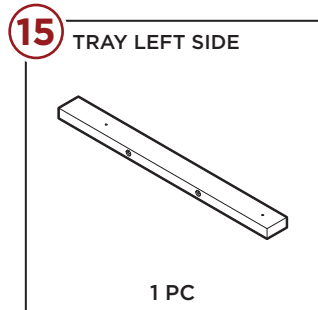
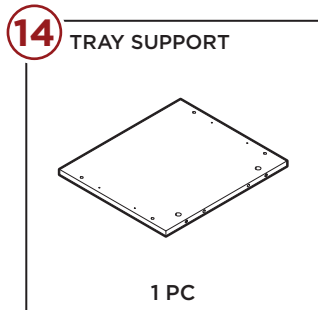
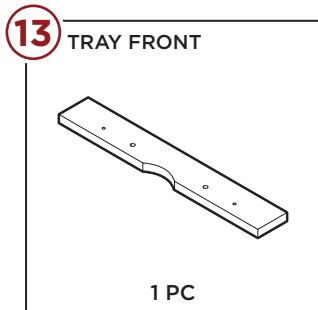


2 PCS

# PARTS



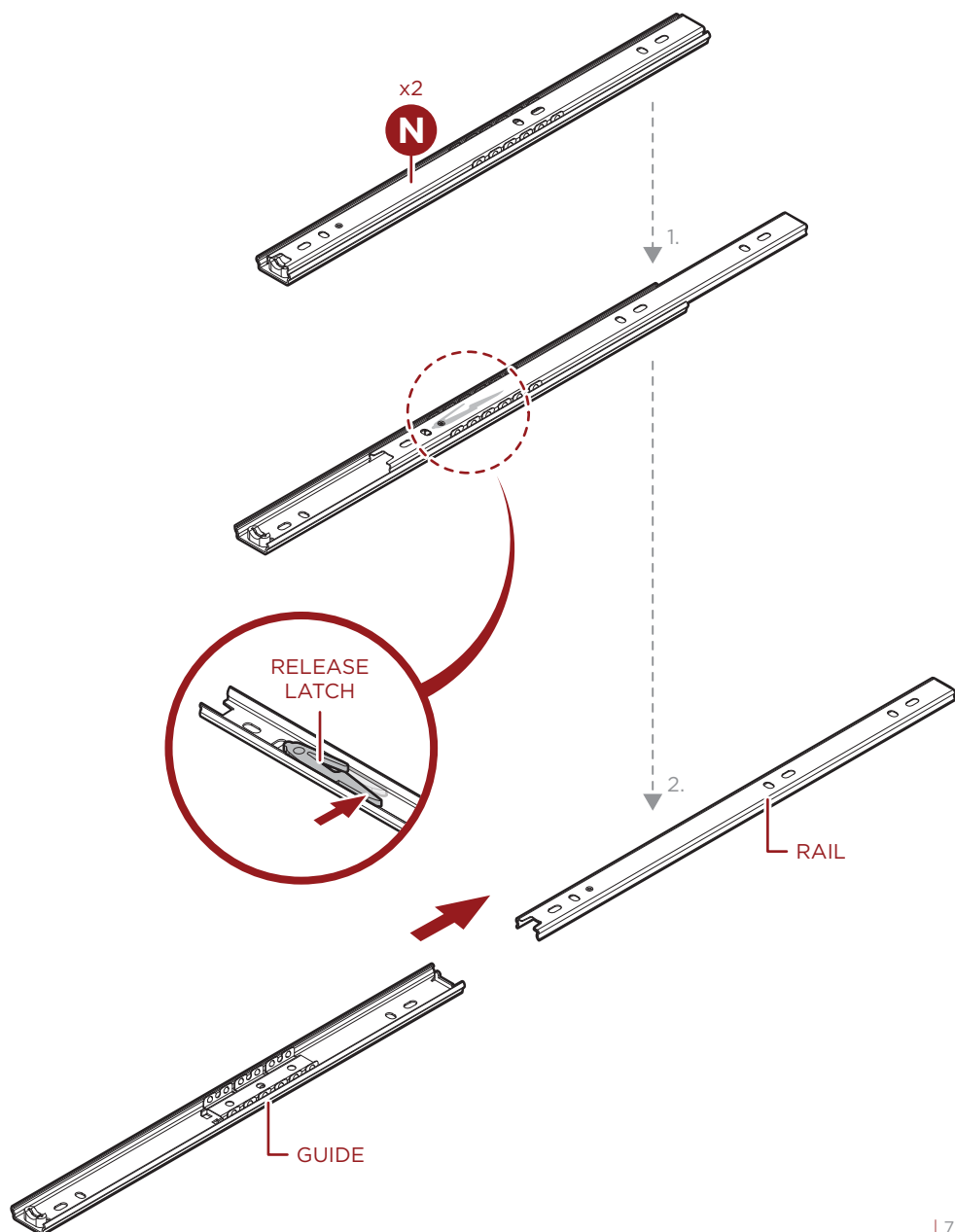
## PARTS



## PRODUCT ASSEMBLY

1

On one **part N drawer runner**, locate and press down on the release latch, then separate the guide section from the rail section. Repeat on a second runner, then set the four sections aside.



## PRODUCT ASSEMBLY

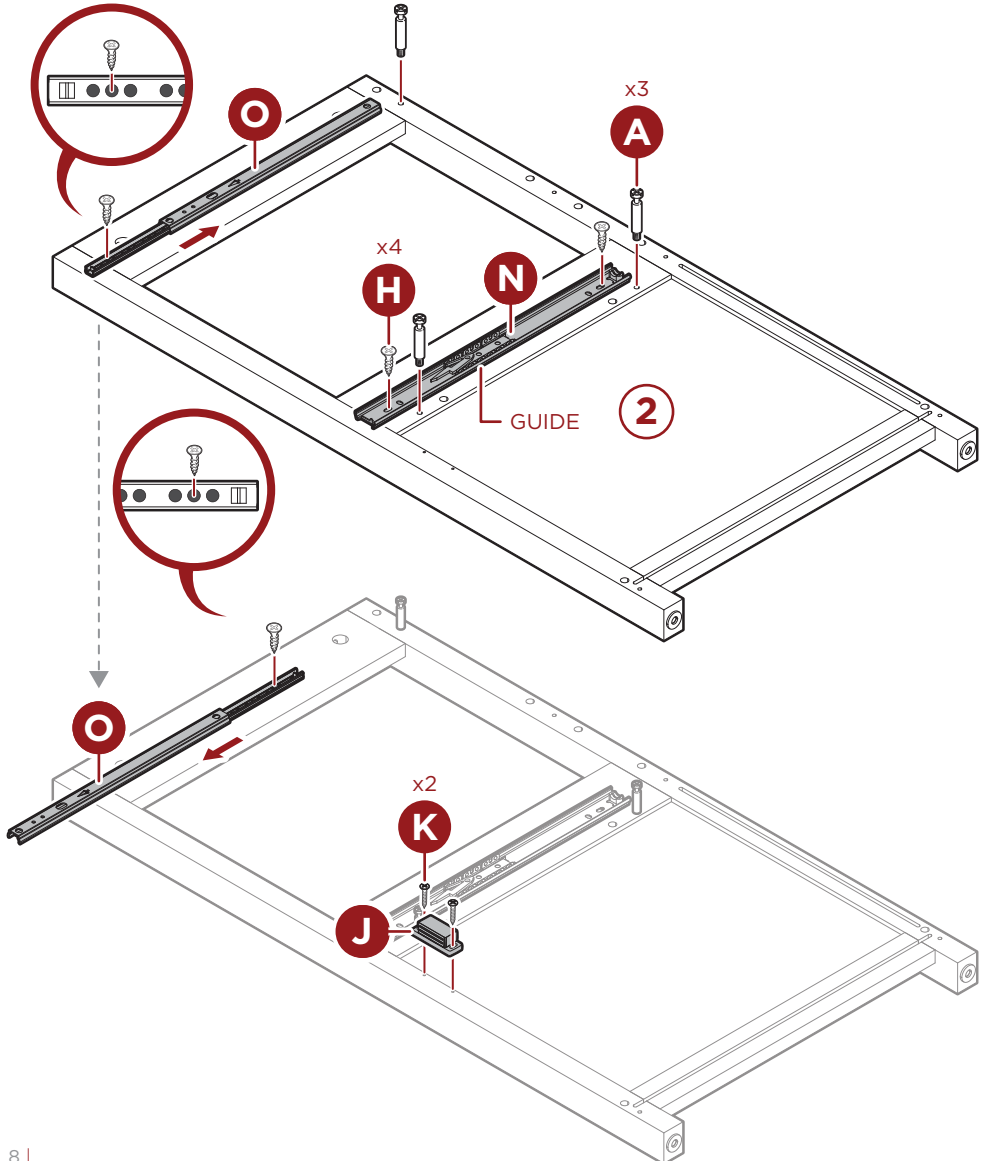
2

Locate one **part O** drawer runner and attach it to the **part 2** island left side with two **part H** screws. Slide the rail section left or right to reveal the fastener holes if necessary.

Attach the guide section of the one **part N** drawer runner to the **part 2** island left side with two **part H** screws.

Insert three **part A** cam bolts into the **part 2** island left side, then attach one **part J** magnetic flashing with two **part K** screws.

**NOTE:** Make sure the magnetic flashing is faced away from the side panel interior.





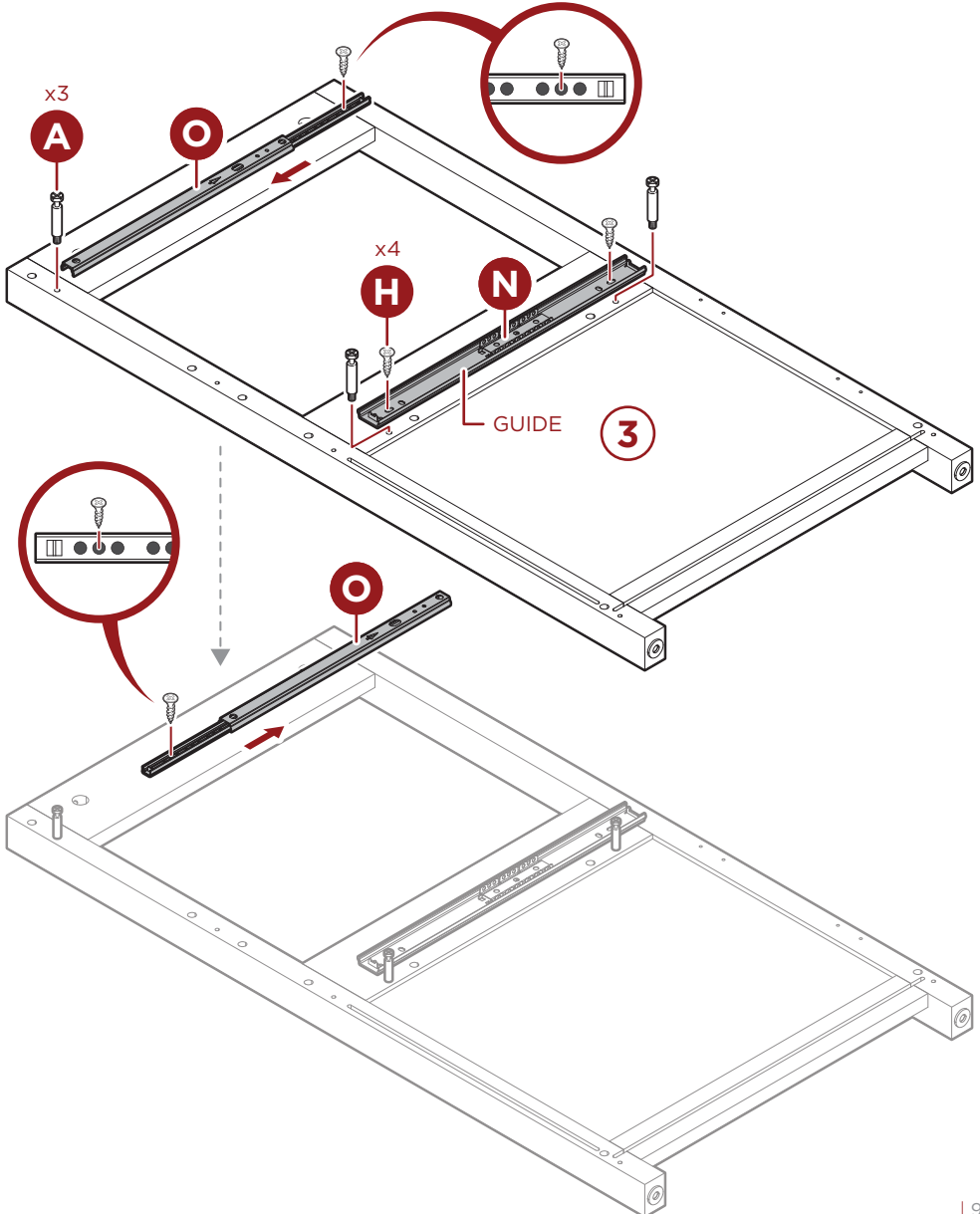
## PRODUCT ASSEMBLY

3

Locate one **part O** drawer runner and attach it to the **part 3 island right side** with two **part H** screws. Slide the rail section left or right to reveal the fastener holes if necessary.

Attach the guide section of the one **part N** drawer runner to the **part 3 island right side** with two **part H** screws.

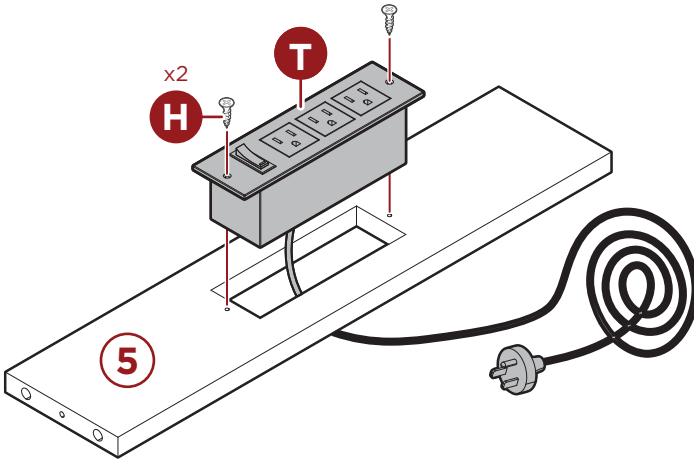
Insert three **part A** cam bolts into the **part 3 island right side**.



## PRODUCT ASSEMBLY

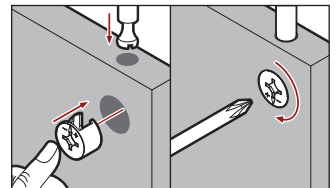
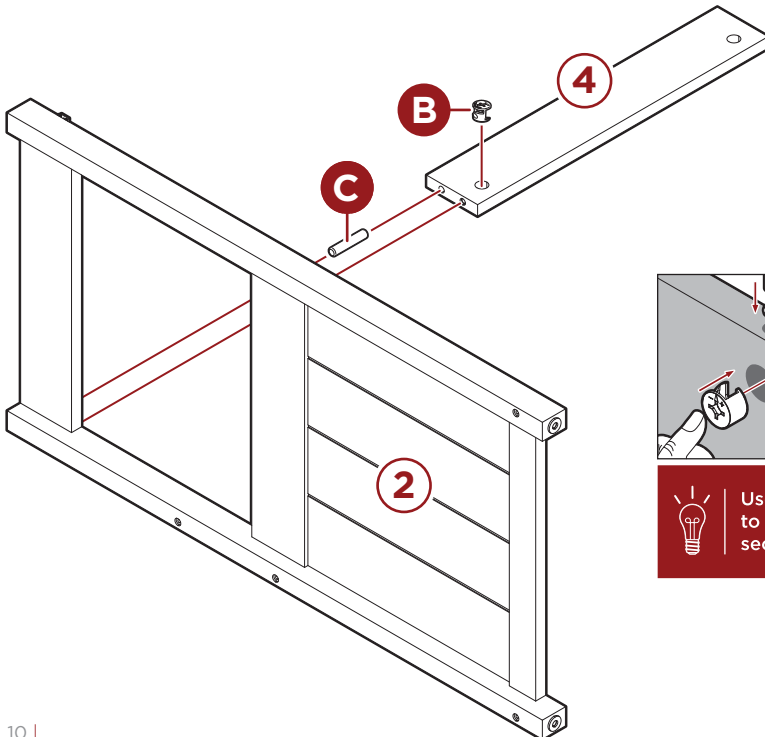
4

Insert the **part T power strip** into the receiver hole on the **part 5 power strip mount**, then secure with two **part H screws**.



5

Insert one **part B cam lock** and one **part C dowel** into the **part 4 top back support**, then attach it to the **part 2 island left side assembly**, turn the cam locks to secure.



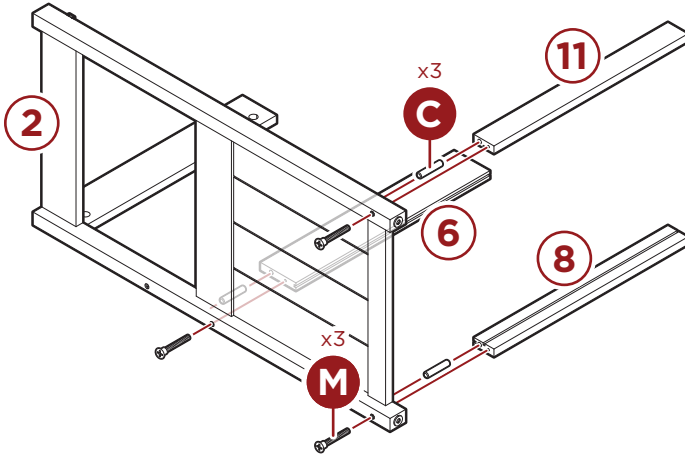
Use a screwdriver to turn the cam lock to secure the cam bolt.

## PRODUCT ASSEMBLY

6

Insert one **part C** dowel each into the **part 6** center back support, **part 8** lower back support, and **part 11** lower front support, three dowels total.

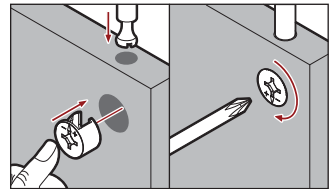
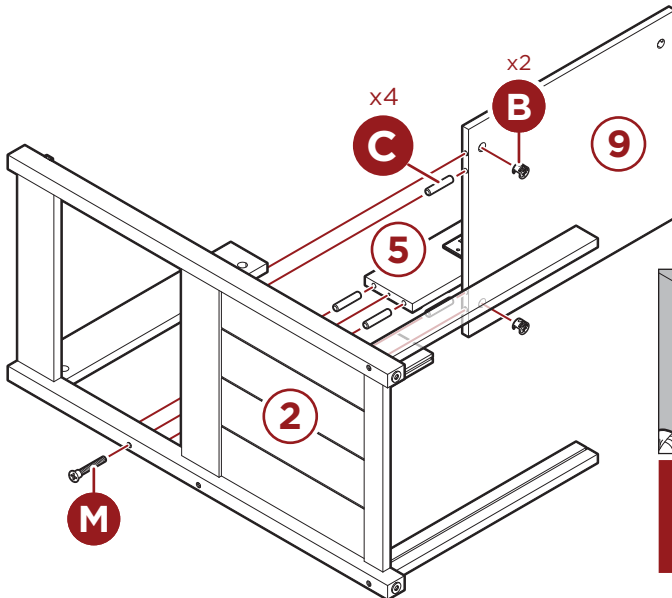
Attach the support panels to the **part 2** island left side assembly with three **part M** screws, one screw per support.



7

Insert two **part C** dowels into the **part 5** power strip mount, then attach it to the **part 2** island left side assembly with one **part M** screw.

Insert two **part B** cam locks and two **part C** dowels into the **part 9** cabinet top panel, then attach it to the **part 2** island left side assembly, turn the cam locks to secure.



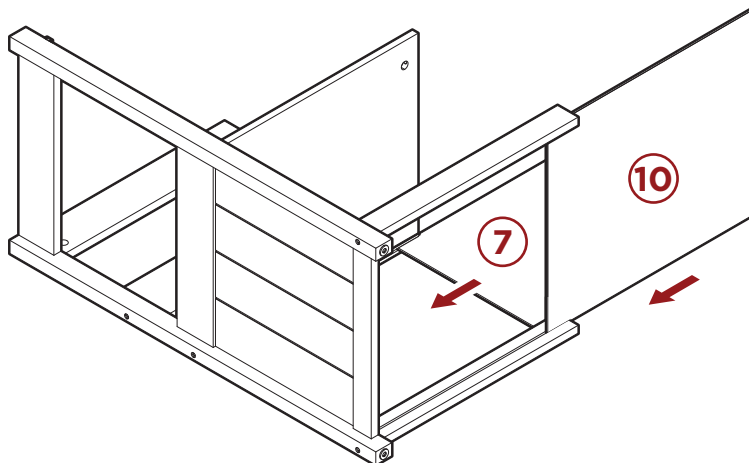
Use a screwdriver to turn the cam lock to secure the cam bolt.

## PRODUCT ASSEMBLY

8

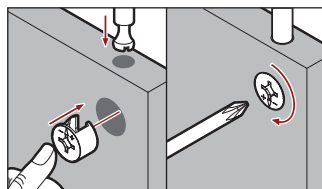
Slide the **part 7 back panel** into the grooves between the **part 6** and **8 back supports**.

Slide the **part 10 bottom panel** into the grooves between the **part 8 lower back support** and **part 11 front support**.

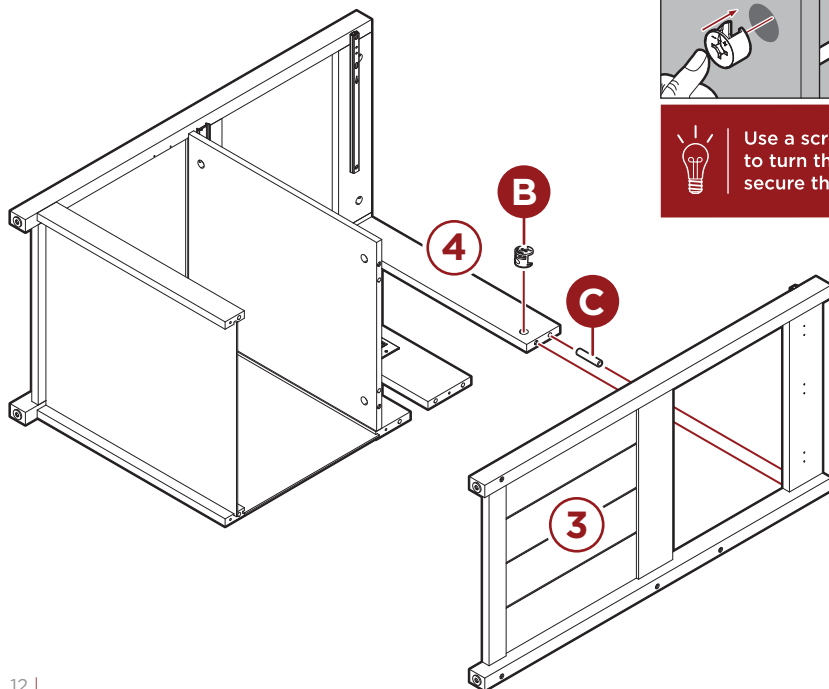


9

Insert one **part B cam lock** and one **part C dowel** into the **part 4 top back support**, then attach it to the **part 3 island right side assembly**, turn the cam locks to secure.



Use a screwdriver to turn the cam lock to secure the cam bolt.

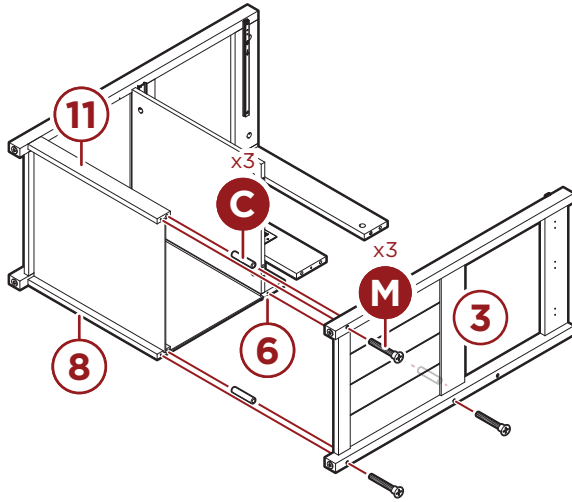


## PRODUCT ASSEMBLY

10

Insert one **part C** dowel each into the **part 6** center back support, **part 8** lower back support, and **part 11** lower front support, three dowels total.

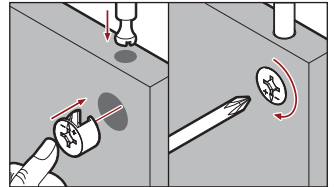
Attach the support panels to the **part 3** island right side assembly with three **part M** screws, one screw per support.



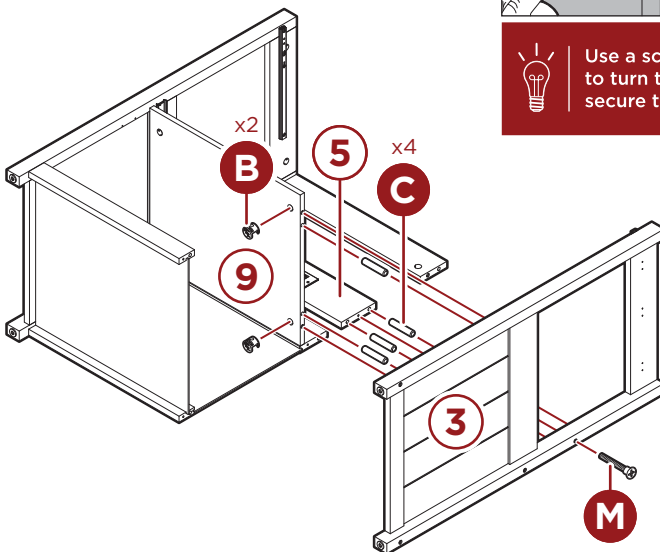
11

Insert two **part C** dowels into the **part 5** power strip mount, then attach it to the **part 3** island right side assembly with one **part M** screw.

Insert two **part B** cam locks and two **part C** dowels into the **part 9** cabinet top panel, then attach it to the **part 3** island right side assembly, turn the cam locks to secure.



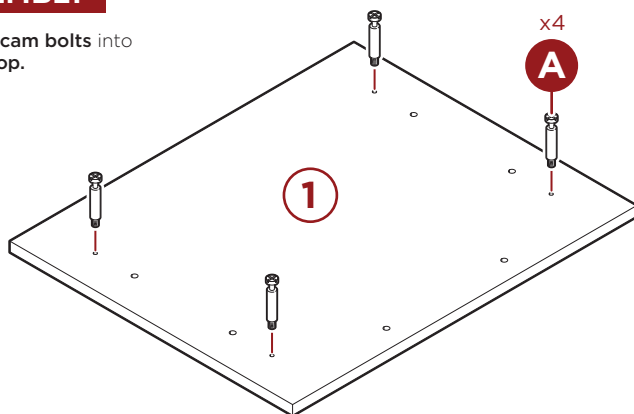
Use a screwdriver to turn the cam lock to secure the cam bolt.



## PRODUCT ASSEMBLY

12

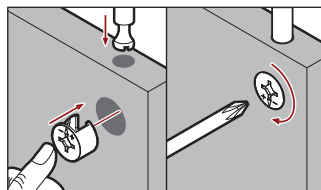
Insert four **part A** cam bolts into the **part 1** island top.



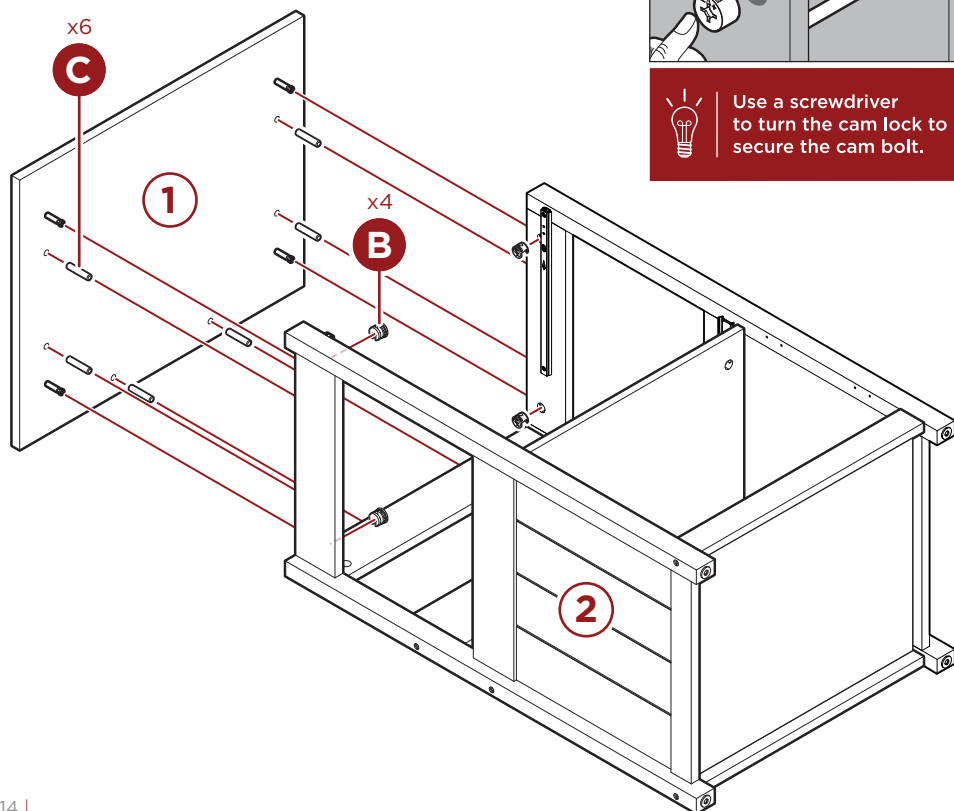
13

Insert two **part B** cam locks and two **part C** dowels each into the **part 2** island left side and **part 3** island right side, four locks and dowels total.

Attach the **part 1** island top, then turn the camlocks to secure.



Use a screwdriver to turn the cam lock to secure the cam bolt.



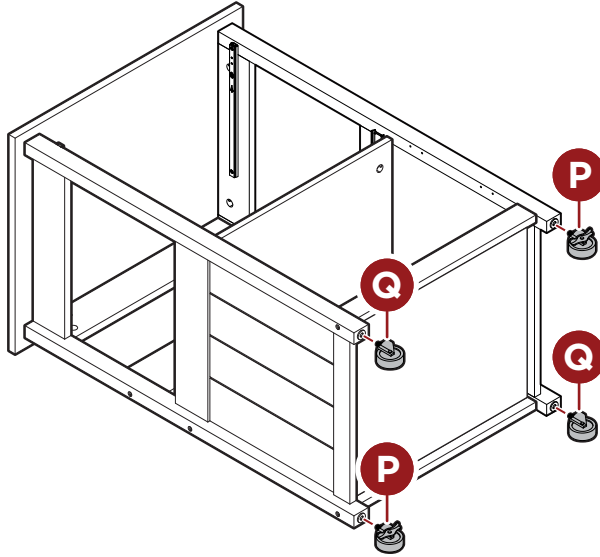
## PRODUCT ASSEMBLY

14

Use the included wrench to attach one **part P locking caster** and one **part Q caster** to the bottom of the **part 2 island left side**.

Repeat to attach one **part P locking caster** and one **part Q caster** to the bottom of the of the **part 3 island right side**.

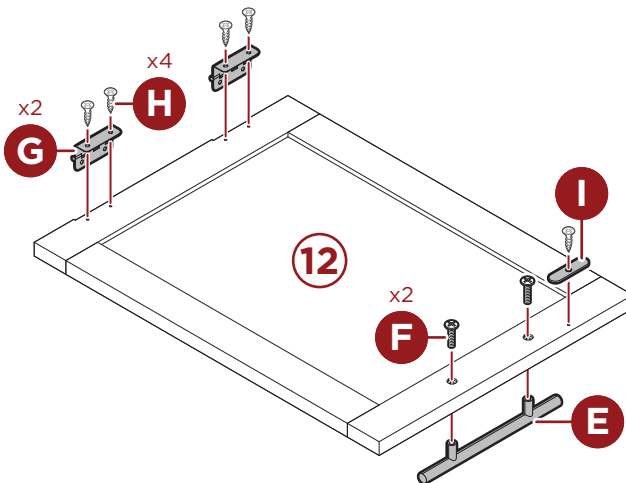
**NOTE:** When installing, make sure the **part P locking casters** installed in perpendicular corners.



15

Attach two **part G hinges** to the **part 12 cabinet door** with four **part H screws**, two screws per hinge.

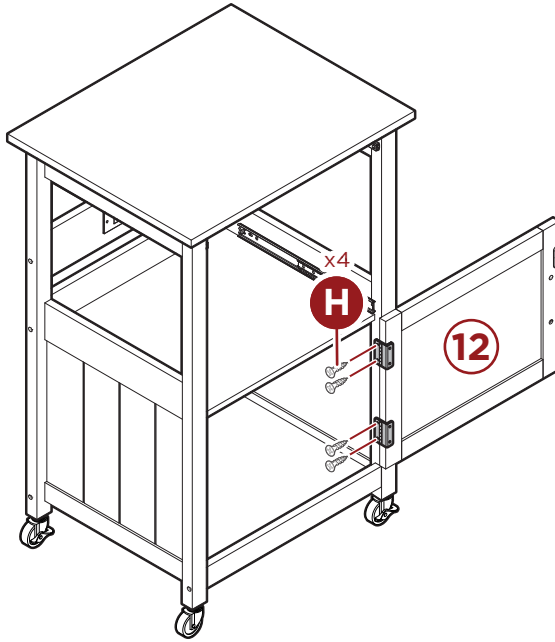
Attach the **part I metal plate** to the **part 12 cabinet door** with the included screw, then attach one **part E handle** with two **part F screws**.



## PRODUCT ASSEMBLY

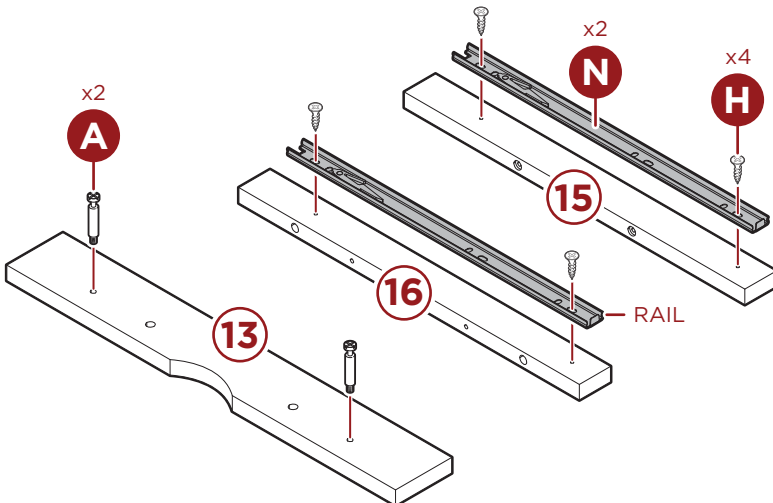
16

Attach the **part 12 cabinet door** to the **part 3 island right side** by securing the **part G hinges** with four **part H screws**, two screws per hinge.



17

Locate the two rail sections of **part N drawer runners** (see step 1) then attach one each to the **part 15 tray left side** and **part 16 tray right side** with four **part H screws**, two screws per side. Insert two **part A cam bolts** into the **part 13 tray front**.

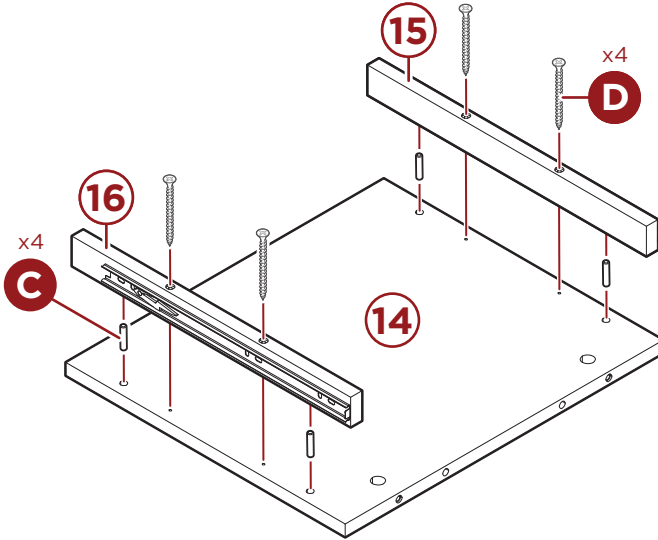




## PRODUCT ASSEMBLY

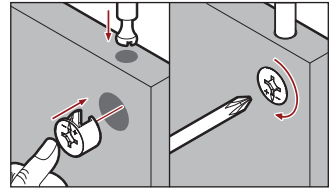
18

Insert two **part C** dowels each into the **part 15** and **16** tray sides, then attach them to the **part 14** tray support with four **part D** screws.

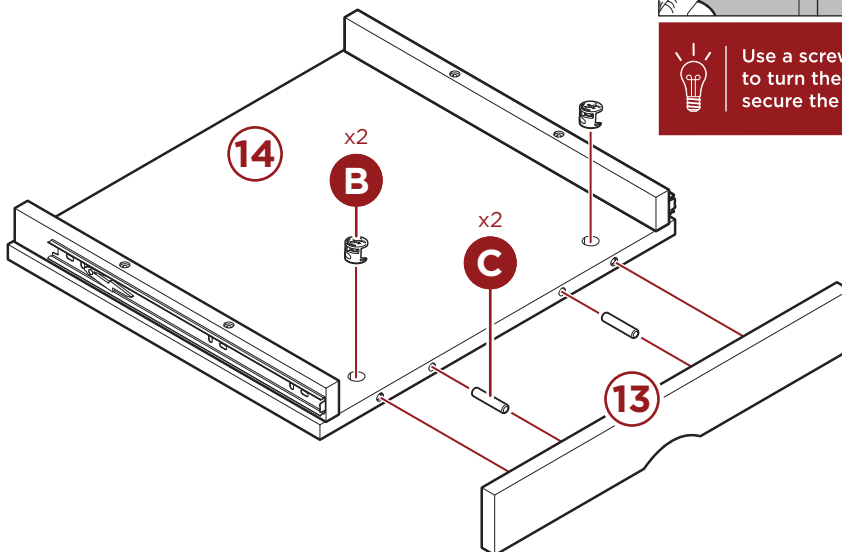


19

Insert two **part B** cam locks and two **part C** dowels into the **part 14** tray bottom, then attach the **part 13** tray front. Turn the cam locks to secure.



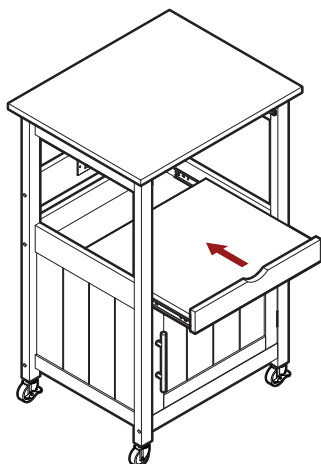
Use a screwdriver to turn the cam lock to secure the cam bolt.



## PRODUCT ASSEMBLY

20

Slide the tray assembly into its designated space along the guide sections of the part N drawer runners.

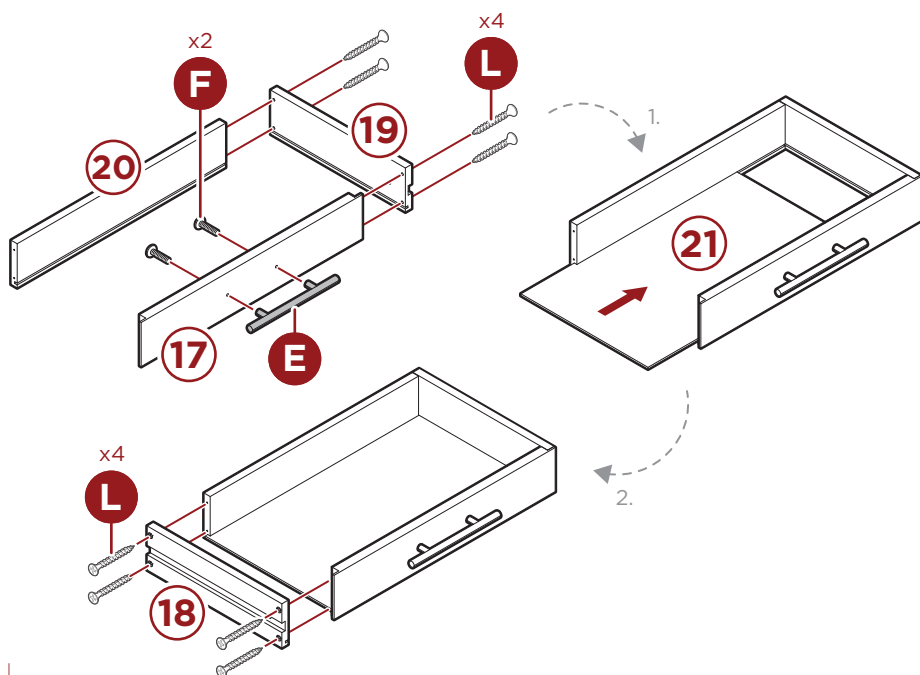


21

Attach one part E handle to the part 17 drawer front with two part F screws.

Attach the part 19 drawer right side to the part 17 drawer front and part 20 drawer back with four part L screws.

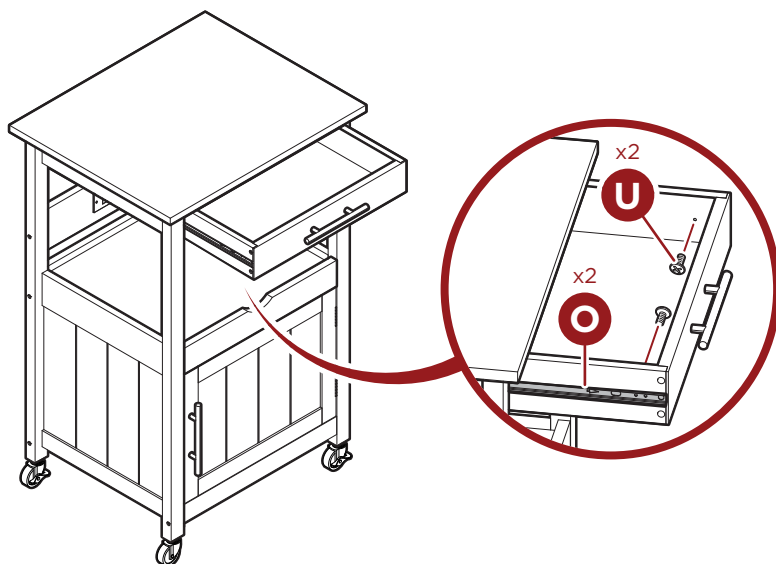
Slide the part 21 drawer bottom between the drawer front and back, then attach the part 18 drawer left side with four part L screws.



## PRODUCT ASSEMBLY

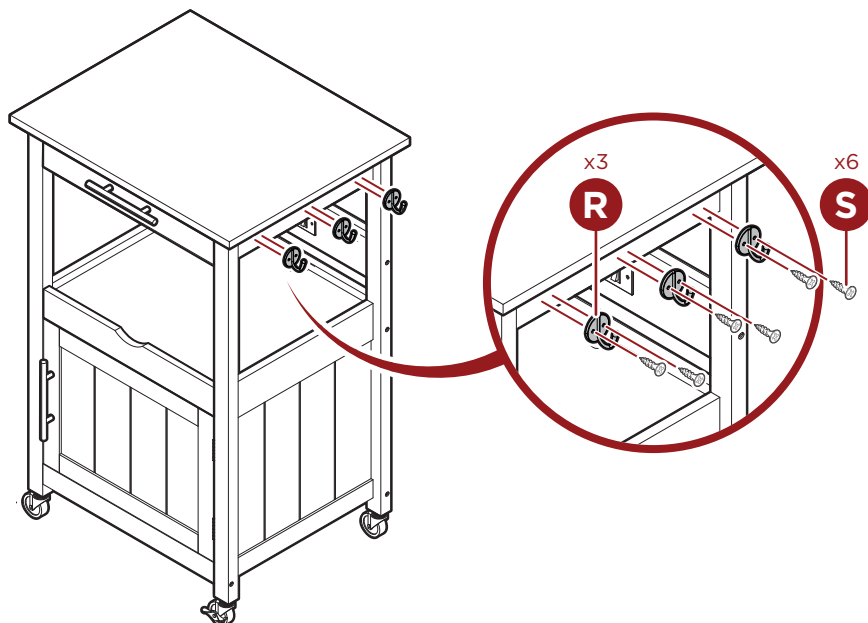
22

Slide the drawer assembly into its designated space, then insert two **part U** screws on the **part 18** and **19** drawer sides to secure the **part O** drawer runners.



23

Attach three **part R** side hooks to the **part 3** island right side with six **part S** screws, two screws per hook.





# HELP CENTER



Question about your product? We're here to help. Visit us at:

[help.bestchoiceproducts.com](http://help.bestchoiceproducts.com)



Chat Support



Product Inquiry



Orders FAQ



Product Assembly



Returns & Refunds

## PRODUCT WARRANTY INFORMATION

All items can be returned for any reason within 60 days of the receipt and will receive a full refund as long as the item is returned in its original product packaging and all accessories from its original shipment are included. All returned items will receive a full refund back to the original payment method. All returned items will not be charged a re-stocking fee.

All returned items require an RA (Return Authorization) number, which can only be provided by a Best Choice Products Customer Service Representative when the return request is submitted. Items received without an RA may not be accepted or may increase your return processing time. Once an item has been received by Best Choice Products, refunds or replacements will be processed within 5 business days.

All returns must be shipped back to the Best Choice Products Return Center at the customer's expense. If the reason for return is a result of an error by Best Choice Products then Best Choice Products will provide a pre-paid shipping label via email. Boxes for return shipping will not be provided by Best Choice Products, and is the customer's responsibility to either use the original shipping boxes or purchase new boxes.

Pictures may be required for some returns to ensure an item is not damaged prior to its return. Items returned are not considered undamaged until they are received by Best Choice Products and verified as such. All damages to items are the customer's responsibility until the item has been received by and acknowledged by Best Choice Products as undamaged.

© Best Choice Products, Inc. All rights reserved. Distributed by Best Choice Products, Inc. Tustin, CA 92780

## WARNING

Manufacturer and seller expressly disclaim any and all liability for personal injury, property damage or loss, whether direct, indirect, or incidental, resulting from the incorrect attachment, improper use, inadequate maintenance, unapproved modification, or neglect of this product.