

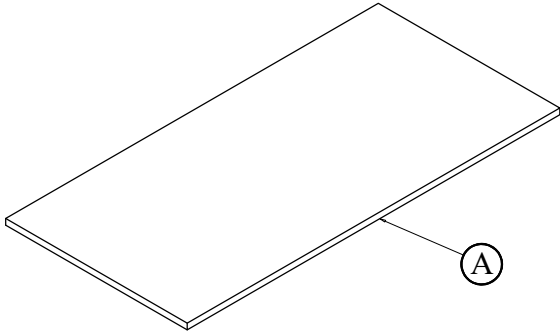
TANNER DINING TABLE ASSEMBLY INSTRUCTIONS



PARTS PACKING CONFIGURATIONS

A. TOP

1 PC

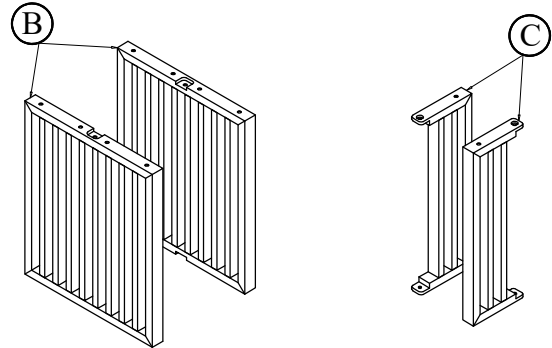


B. OUTER LEG

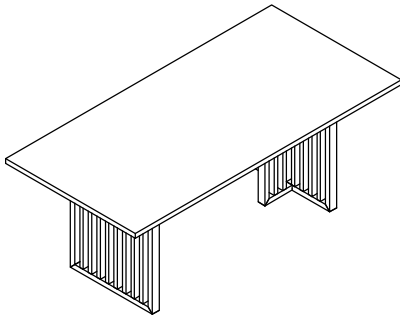
2 PCS

C. INNER LEG

2 PCS



FULLY ASSEMBLED



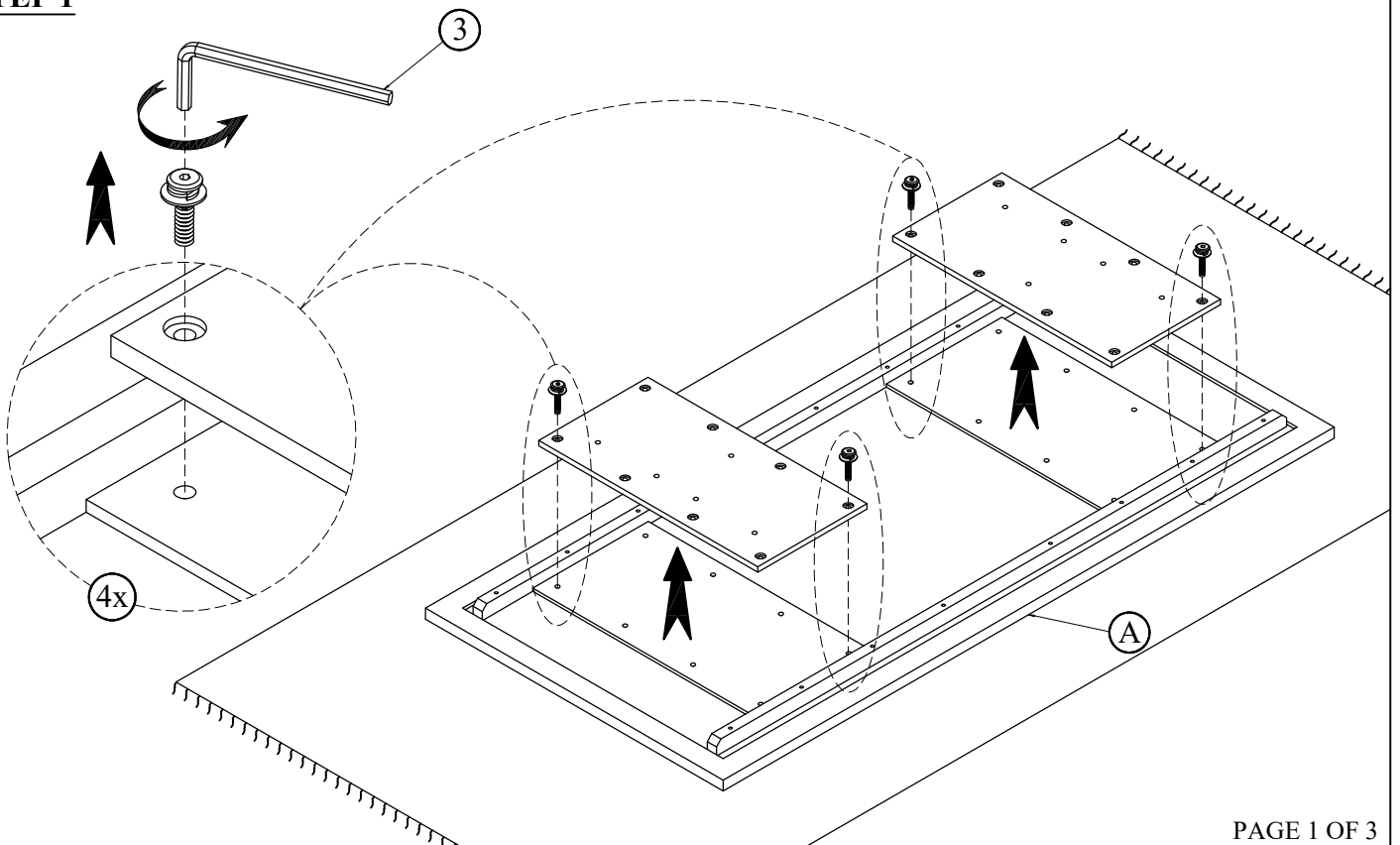
HARDWARE KIT PACKED IN BOX

NO.	DESCRIPTION	IMAGE	QTY
1	ALLEN BOLT (5/16"x20mm) and FLAT WASHER (5/16")		4 SETS
2	ALLEN BOLT (5/16"x30mm) with SPRING WASHER (5/16") and FLAT WASHER (5/16")		26 SETS
3	ALLEN KEY		1 PC

EXTRA HARDWARE MAY BE INCLUDED

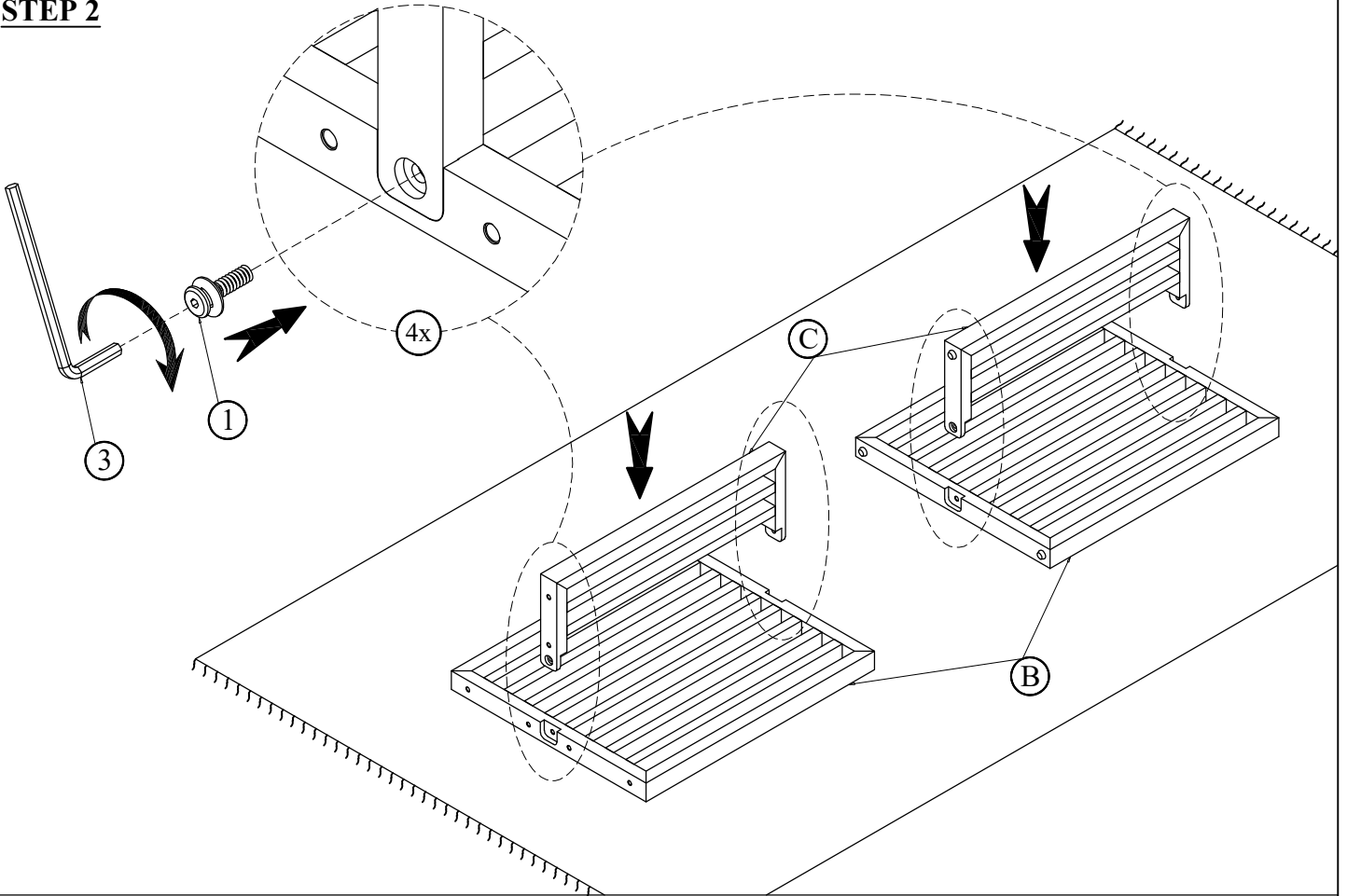


STEP 1

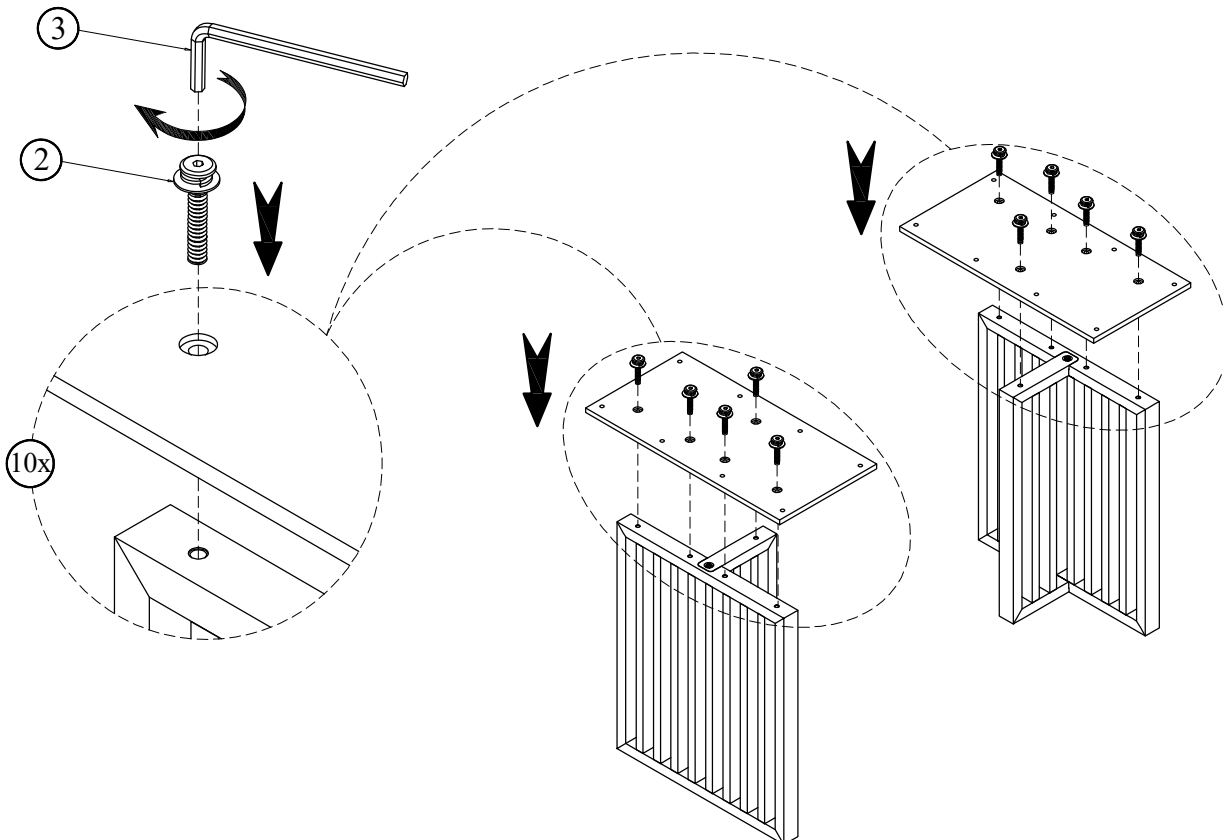


TANNER DINING TABLE ASSEMBLY INSTRUCTIONS

STEP 2

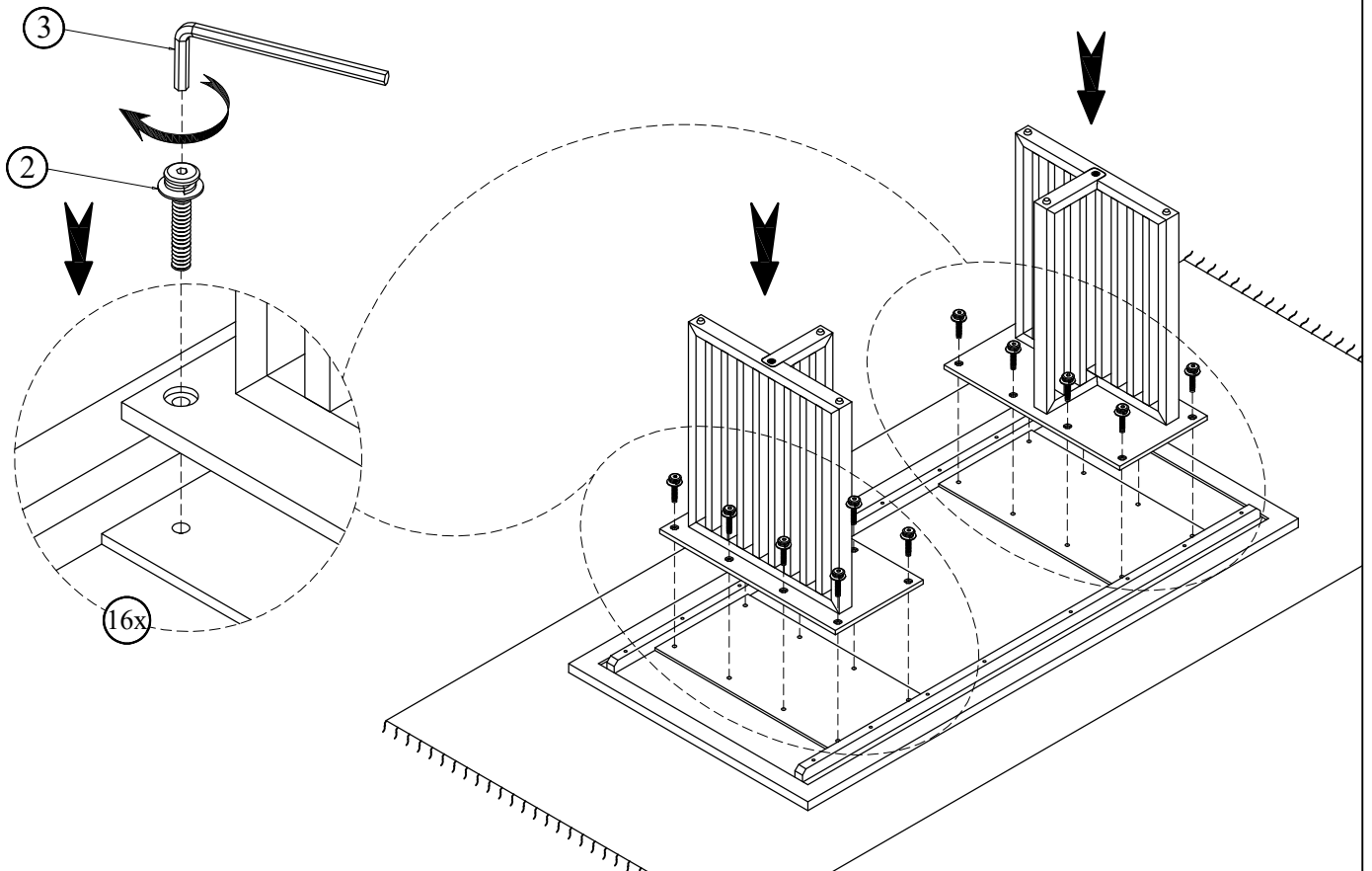


STEP 3

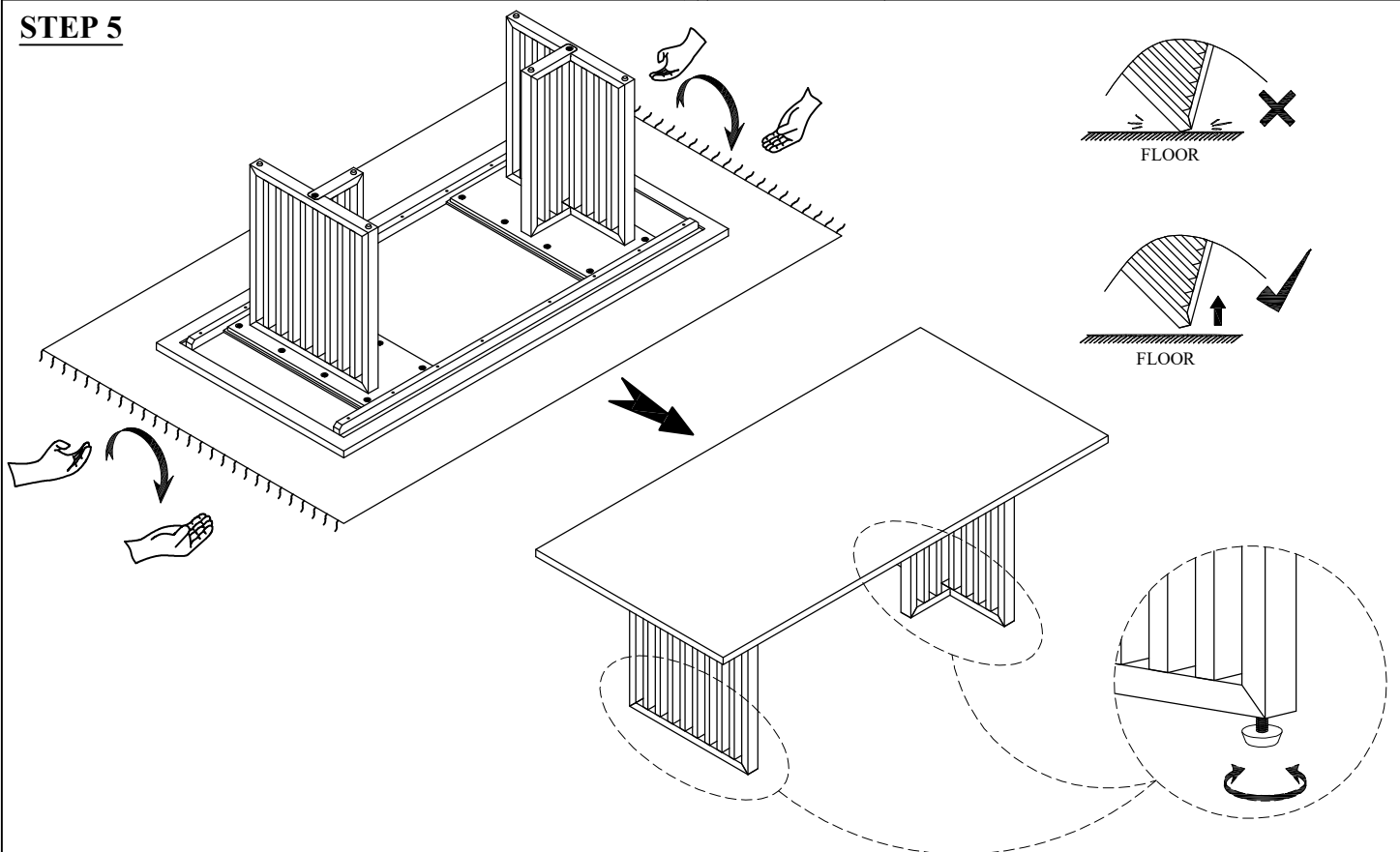


TANNER DINING TABLE ASSEMBLY INSTRUCTIONS

STEP 4



STEP 5



ASSEMBLY COMPLETE