



INDEX PAGE for 6" Wide Grates / Covers

↕ Click on "Item ID" to go to grate page, "Back to Index" will return you to this page.

P6-AWG	Aluminum Wire Grate	P6-PDE-USA	Perforated Decorative Grate, Ductile Iron
P6-BCD	Circular Decorative, Bronze Grate	P6-PG	Fabricated Perforated Grate, Galvanized Steel
P6-BDC	Slotted Grate, Black Acid Resistant Epoxy Coated Ductile Iron	P6-PGR	Fabricated Perforated Grate, Galvanized Steel
P6-BDD	Diagonal Decorative, Bronze Grate	P6-PPC	Perforated Grate, Vinylester
P6-BDE	Slotted Grate, Black Acid Resistant Epoxy Coated Ductile Iron	P6-PS	Fabricated Perforated Grate, Stainless Steel
P6-BDE-USA	Slotted Grate, Black Acid Resistant Epoxy Coated Ductile Iron	P6-PSR	Fabricated Perforated Grate, Stainless Steel
P6-BG	Slotted Bar Grate, Galvanized Ductile Iron	P6-RFGC	Reinforced Slotted Grate, Galvanized Steel
P6-BZ	Bronze Decorative Grate	P6-RFSC	Reinforced Slotted Grate, Stainless Steel
P6-DBG	Slotted Bar Grate, Dura-Coated Ductile Iron	P6-RPGC	Reinforced Perforated Grate, Galvanized Steel
P6-DC	Solid Cover, Dura-Coated Ductile Iron	P6-RPGRC	Reinforced Perforated Grate, Galvanized Steel
P6-DCD	Circular Decorative Grate, Ductile Iron	P6-RPSC	Reinforced Perforated Grate, Stainless Steel
P6-DCE-USA	Solid Cover, Dura-Coated Ductile Iron	P6-RPSRC	Reinforced Perforated Grate, Stainless Steel
P6-DDD	Diagonal Decorative Grate, Ductile Iron	P6-SBG	Cast Bar Grate, Stainless Steel
P6-DGC	Slotted Grate, Ductile Iron	P6-SC	Fabricated Stainless Steel Solid Cover
P6-DGC-USA	Slotted Grate, Ductile Iron	P6-SCD	Circular Decorative Grate, Stainless Steel
P6-DGE	Slotted Grate, Ductile Iron	P6-SDD	Diagonal Decorative Grate, Stainless Steel
P6-DGE-USA	Slotted Grate, Ductile Iron	P6-SMG	Stainless Steel Mesh Screen Grate
P6-DGF	Slotted Grate, Ductile Iron	P6-SOG	Stainless Steel Ornamental Grate
P6-DGF-USA	Slotted Grate, Ductile Iron	P6-SWGB	Stainless Steel Wire Grate
P6-DOG	Ornamental Grate, Ductile Iron	P6-SWGB-AS	Anti-Slip Stainless Steel Wire Grate
P6-DTW	Decorative Tidal Wave Grate, Ductile Iron	P886-FGF	Frame and Grate, Ductile Iron
P6-FG	Fabricated Slotted Grate, Galvanized Steel	P886-FGF-USA	Frame and Grate, Ductile Iron
P6-FS	Fabricated Slotted Grate, Stainless Steel	P886-GFG	Frame and Grate, Galvanized Ductile Iron
P6-GDC	Slotted Grate, Galvanized Ductile Iron	P886-GFG-USA	Frame and Grate, Galvanized Ductile Iron
P6-GDC-USA	Slotted Grate, Galvanized Ductile Iron	P886-HDD	Fixed, Ductile Iron Grate
P6-GDE	Slotted Grate, Galvanized Ductile Iron	P886-HR	Removable, Ductile Iron Frame and Grate
P6-GDE-USA	Slotted Grate, Galvanized Ductile Iron	P886-PVS	Paver Slot Grate, Fabricated Steel
P6-GDF	Slotted Grate, Galvanized Ductile Iron	P886-PVSG	Paver Slot Grate, Fabricated Galvanized Steel
P6-GDF-USA	Slotted Grate, Galvanized Ductile Iron	P886-PVSS	Paver Slot Grate, Fabricated Stainless Steel
P6-GG	Slotted Grate, Vinylester Fiberglass		
P6-GHPD	Heel-Proof Slotted Grate, Galvanized Ductile Iron		
P6-GHPDE	Heel-Proof Slotted Grate, Galvanized Ductile Iron		
P6-GHPDE-USA	Heel-Proof Slotted Grate, Galvanized Ductile Iron		
P6-GMG	Galvanized Mesh Screen Grate		
P6-HPB	Heel-Proof Slotted Grate, Bronze		
P6-HPD	Heel-Proof Slotted Grate, Ductile Iron		
P6-HPDE	Heel-Proof Slotted Grate, Ductile Iron		
P6-HPDE-USA	Heel-Proof Slotted Grate, Ductile Iron		
P6-HPP	Heel-Proof Slotted Grate, HDPE		
P6-HPS	Heel-Proof Slotted Grate, Stainless Steel		
P6-HPSBG	Slotted Grate, Stainless Steel		
P6-LD	Longitudinal Slotted Grate, Ductile Iron		
P6-NBZ-USA	Nickel Bronze Decorative Grate		

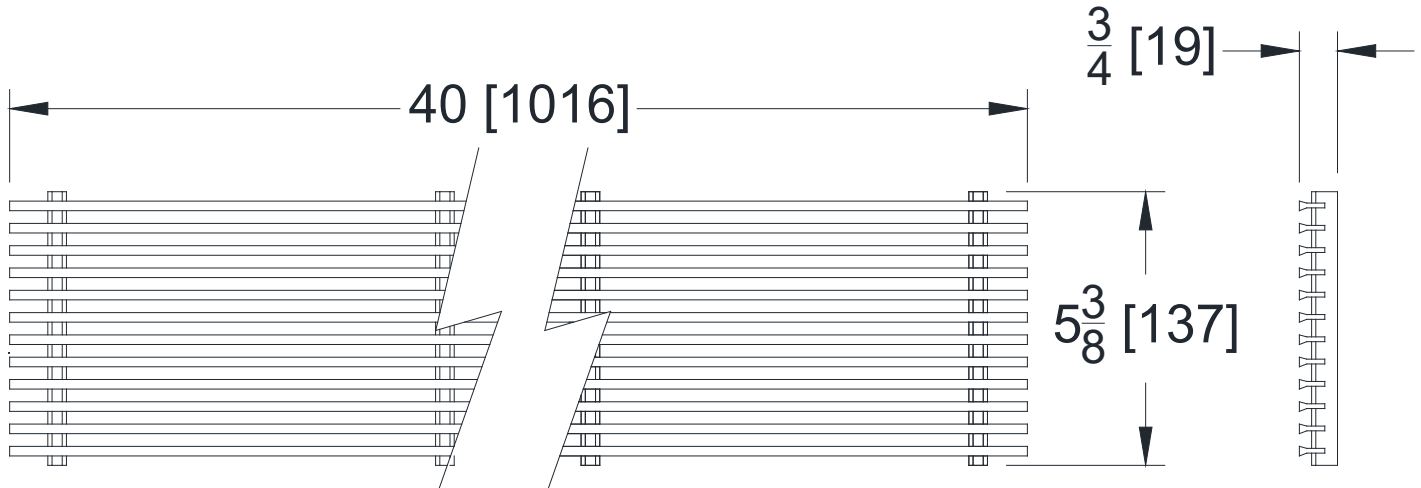


P6-AWG
6 [152] WIDE DOMESTIC GRATE

Design and Dimensional Data (inches and [mm]) are Subject to Manufacturing Tolerances and Change Without Notice

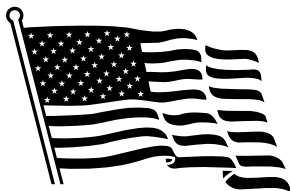
[Back to Index](#)

Please Check ✓	Item No.	Part Number	Item I.D.
___	1	94081	P6-AWG



ENGINEERING SPECIFICATION: ZURN P6-AWG

40" [1016mm] X 5-3/8" [137mm] Aluminum wire grate, weighing .9 lbs per linear foot [1.3kg./m]. The grate has an open area of 37.5 in² per linear foot [794cm²/m], DIN rating of A, ANSI rating of Light-Duty, ADA Compliant, Aluminum members conform to ASTM specification 6061 u-chips conform to ASTM specification 5052.



MADE IN THE USA

AWG - Wire Grate	
Material:	Aluminum
DIN Rating:	Class A
Weight:	.9 lbs/ft [1.3 kg/m]
Open Area:	37.5 in ² /ft [794 cm ² /m]
ANSI Rating:	Light-Duty
Application:	Decorative Heel-Proof
Slot Width/Hole Size:	1/4" [6.4 mm]
ADA:	Yes
H-20:	No
FAA:	No

⚠ WARNING: Cancer and Reproductive Harm - www.P65Warnings.ca.gov

⚠ ADVERTENCIA: Cáncer y daño reproductivo - www.P65Warnings.ca.gov

⚠ AVERTISSEMENT: Cancer et effets néfastes sur la reproduction - www.P65Warnings.ca.gov

Zurn Industries, LLC | Specification Drainage Operation
1801 Pittsburgh Avenue, Erie, PA 16502, Ph. 855.663.9876

In Canada | Zurn Industries Limited
7900 Goreway Drive, Unit 10, Brampton, Ontario L6T 5W6, Ph. 877.892.5216

www.zurn.com

Rev. AV
Date: 05/20/25
C.N. No. 146570
Patent zurn.com/patents
Prod. | Dwg. No. FT641

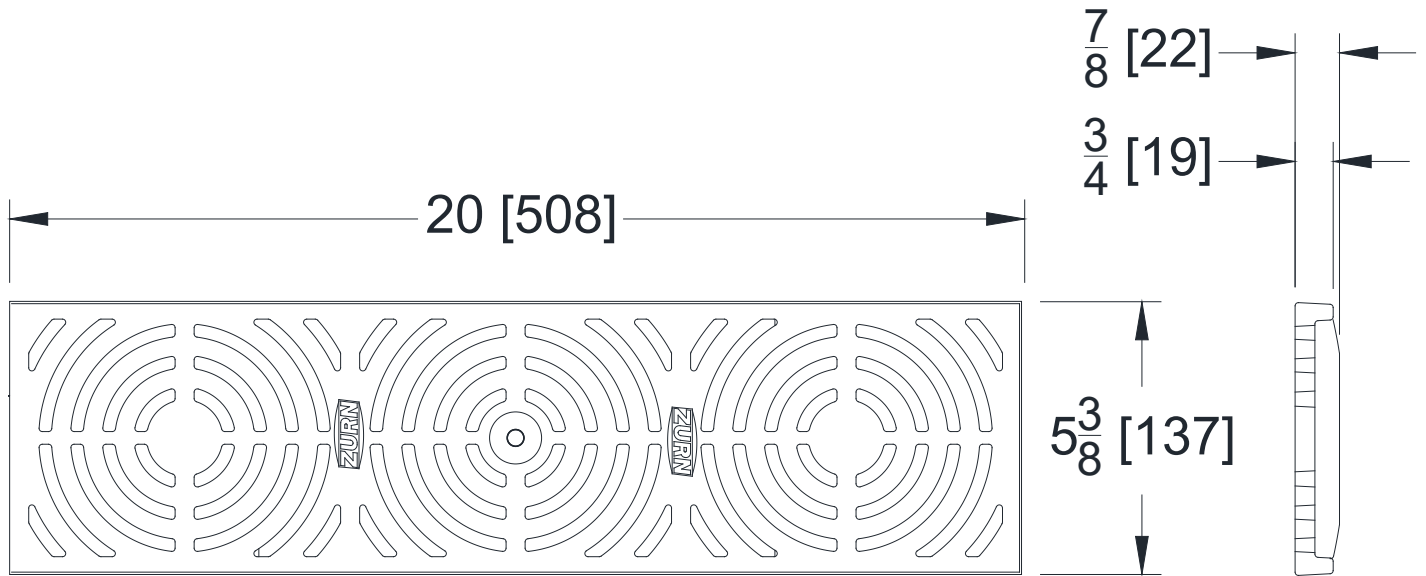


P6-BCD
6 [152] WIDE DECORATIVE GRATE

Design and Dimensional Data (inches and [mm]) are Subject to Manufacturing Tolerances and Change Without Notice

[Back to Index](#)

Please Check ✓	Item No.	Part Number	Item I.D.
—	2	64255	P6-BCD



ENGINEERING SPECIFICATION: ZURN P6-BCD

20" [508mm] X 5-3/8" [137mm] Bronze circular decorative grate, weighing 7.8 lbs per linear foot [11.5kg/m]. The grate has an open area of 17.6 in² per linear foot [372cm²/m]. The grate conforms to DIN rating of A, ANSI rating of Light-Duty, ADA compliant and ASTM B584 Copper Alloy NO. C844.

BCD - Circular Decorative	
Material:	Bronze
DIN Rating:	Class A
Weight:	7.8 lbs/ft [11.5 kg/m]
Open Area:	17.6 in ² /ft [372 cm ² /m]
ANSI Rating:	Light-Duty
Application:	Decorative Heel-Proof
Slot Width/Hole Size:	1/4" [6.4 mm]
ADA:	Yes
H-20:	No
FAA:	No

⚠ WARNING: Cancer and Reproductive Harm - www.P65Warnings.ca.gov

⚠ ADVERTENCIA: Cáncer y daño reproductivo - www.P65Warnings.ca.gov

⚠ AVERTISSEMENT: Cancer et effets néfastes sur la reproduction - www.P65Warnings.ca.gov

Zurn Industries, LLC | Specification Drainage Operation
1801 Pittsburgh Avenue, Erie, PA 16502, Ph. 855.663.9876

In Canada | Zurn Industries Limited
7900 Goreway Drive, Unit 10, Brampton, Ontario L6T 5W6, Ph. 877.892.5216

www.zurn.com

Rev. AV
Date: 05/20/25
C.N. No. 146570
Patent zurn.com/patents
Prod. | Dwg. No. FT641

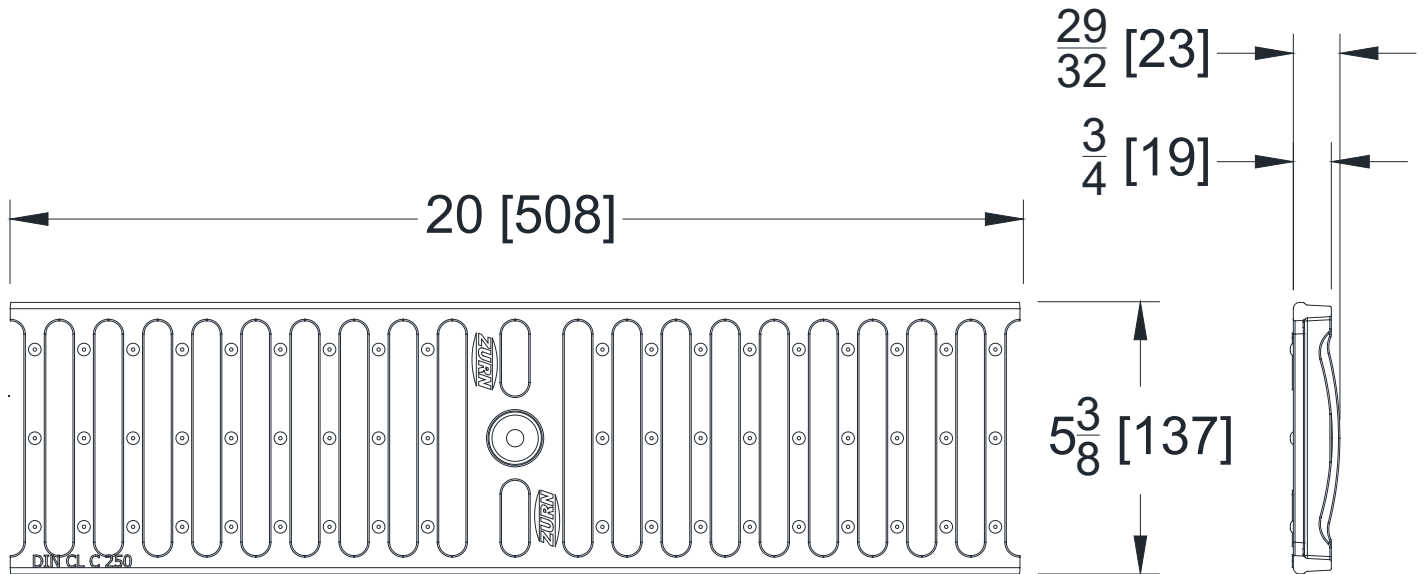


P6-BDC
6 [152] WIDE GRATE

Design and Dimensional Data (inches and [mm]) are Subject to Manufacturing Tolerances and Change Without Notice

[Back to Index](#)

Please Check ✓	Item No.	Part Number	Item I.D.
—	3	94472	P6-BDC



ENGINEERING SPECIFICATION: ZURN P6-BCD

20" [508mm] X 5-3/8" [137mm] Black acid resistant epoxy coated Ductile Iron slotted grate weighing 4.5 lbs per linear foot [6.5kg/m]. The grate has an open area of 28.2 in² per linear foot [594cm²/m]. Grate conforms to DIN rating of C, ANSI rating of Heavy-Duty, H-20 load rated and ASTM A536 Grade 80-55-06.

BDC - Black Acid Resistant Ductile	
Material:	Ductile Iron
DIN Rating:	Class C
Weight:	4.5 lbs/ft [6.5 kg/m]
Open Area:	28.2 in ² /ft [594 cm ² /m]
ANSI Rating:	Heavy-Duty
Application:	Dynamic Loads
Slot Width/Hole Size:	1/2" [12.7 mm]
ADA:	No
H-20:	Yes
FAA:	No

⚠ WARNING: Cancer and Reproductive Harm - www.P65Warnings.ca.gov

⚠ ADVERTENCIA: Cáncer y daño reproductivo - www.P65Warnings.ca.gov

⚠ AVERTISSEMENT: Cancer et effets néfastes sur la reproduction - www.P65Warnings.ca.gov

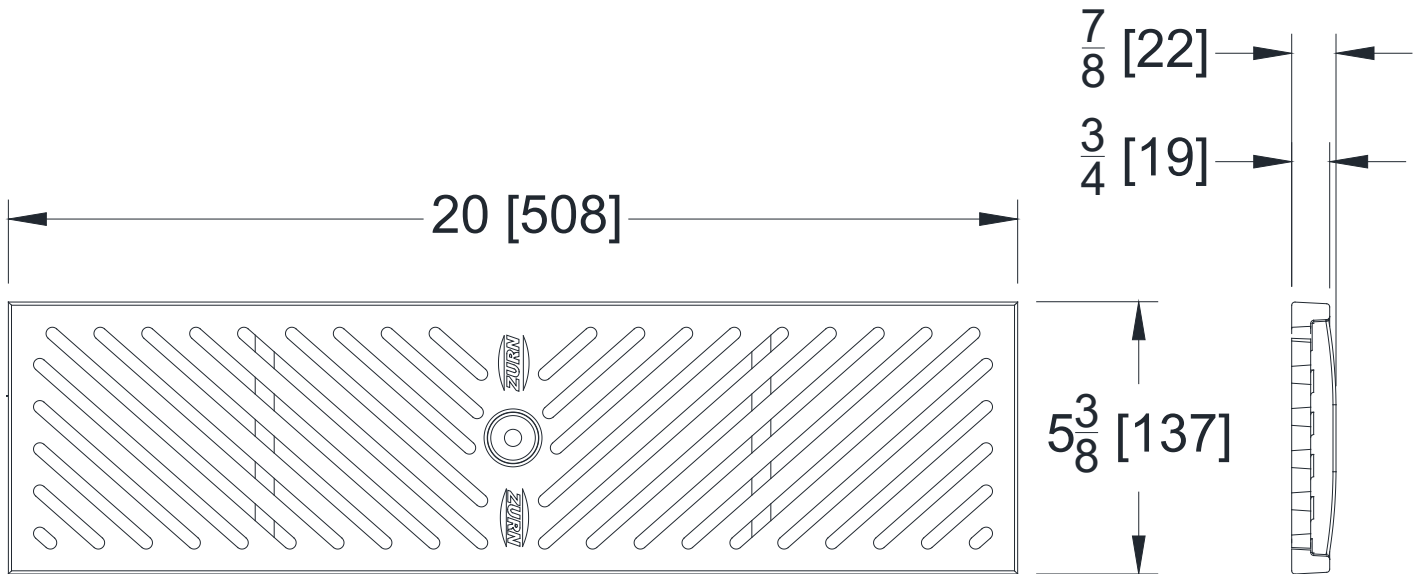


P6-BDD
6 [152] WIDE DECORATIVE GRATE

Design and Dimensional Data (inches and [mm]) are Subject to Manufacturing Tolerances and Change Without Notice

[Back to Index](#)

Please Check ✓	Item No.	Part Number	Item I.D.
—	4	67506	P6-BDD



ENGINEERING SPECIFICATION: ZURN P6-BDD

20" [508mm] X 5-3/8" [137mm] Bronze diagonal decorative grate, weighing 6.9 lbs per linear foot [10.2kg/m]. The grate has an open area of 17.9 in² per linear foot [377cm²/m]. Grate conforms to DIN rating of A, ANSI rating of Light-Duty, ADA compliant and ASTM B584 Copper Alloy NO. C844.

BDD - Diagonal Decorative	
Material:	Bronze
DIN Rating:	Class A
Weight:	6.9 lbs/ft [10.2 kg/m]
Open Area:	17.9 in ² /ft [377 cm ² /m]
ANSI Rating:	Light-Duty
Application:	Heel-Proof, Pedestrian
Slot Width/Hole Size:	1/4" [6.4mm]
ADA:	Yes
H-20:	No
FAA:	No

⚠ WARNING: Cancer and Reproductive Harm - www.P65Warnings.ca.gov

⚠ ADVERTENCIA: Cáncer y daño reproductivo - www.P65Warnings.ca.gov

⚠ AVERTISSEMENT: Cancer et effets néfastes sur la reproduction - www.P65Warnings.ca.gov

Zurn Industries, LLC | Specification Drainage Operation
1801 Pittsburgh Avenue, Erie, PA 16502, Ph. 855.663.9876

In Canada | Zurn Industries Limited
7900 Goreway Drive, Unit 10, Brampton, Ontario L6T 5W6, Ph. 877.892.5216

www.zurn.com

Rev. AV
Date: 05/20/25
C.N. No. 146570
Patent zurn.com/patents
Prod. | Dwg. No. FT641

Page 5 of 73

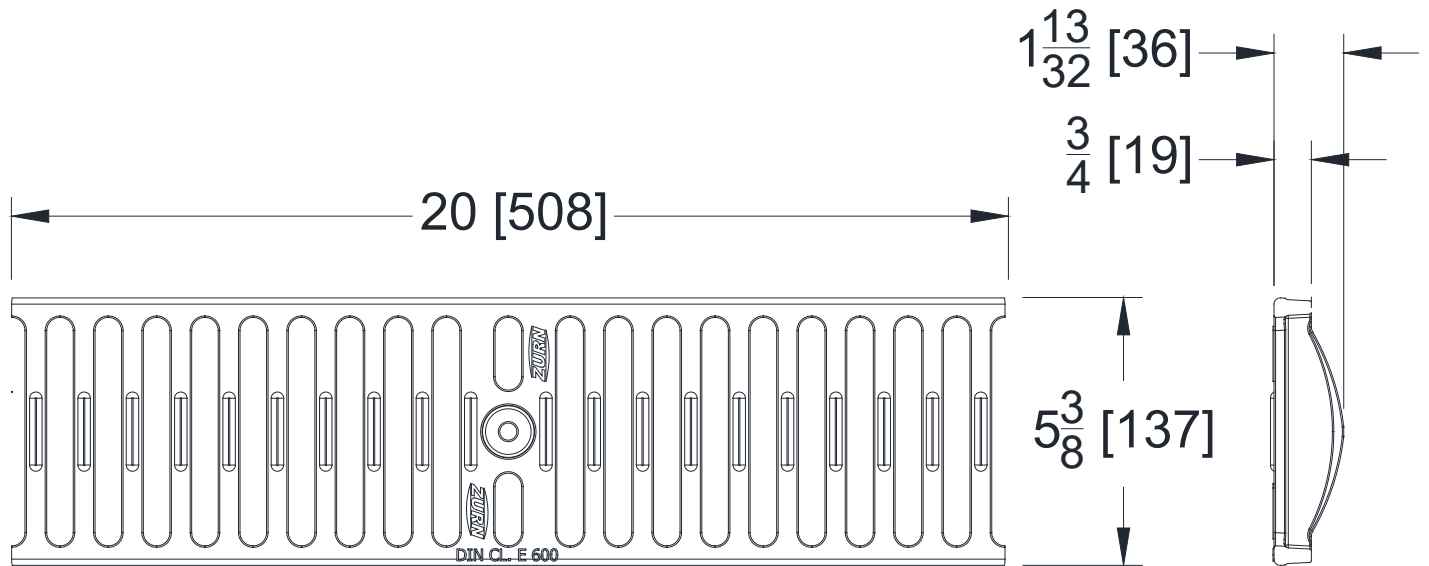


P6-BDE
6 [152] WIDE GRATE

Design and Dimensional Data (inches and [mm]) are Subject to Manufacturing Tolerances and Change Without Notice

[Back to Index](#)

Please Check ✓	Item No.	Part Number	Item I.D.
—	5	94473	P6-BDE



ENGINEERING SPECIFICATION: ZURN P6-BDE

20" [508mm] X 5-3/8" [137mm] Black acid resistant epoxy coated Ductile Iron slotted grate weighing 6.4 lbs per linear foot [9.5kg/m]. The grate has an open area of 28.2 in² per linear foot [594cm²/m]. Grate conforms to DIN rating of E, ANSI rating of Special-Duty, H-20 load rated, FAA load rated and ASTM A536 Grade 80-55-06.

BDE - Black Acid Resistant Ductile	
Material:	Ductile Iron
DIN Rating:	Class E
Weight:	6.4 lbs/ft [9.5 kg/m]
Open Area:	28.2 in ² /ft [594 cm ² /m]
ANSI Rating:	Special-Duty
Application:	Dynamic Loads
Slot Width/Hole Size:	1/2" [12.7 mm]
ADA:	No
H-20:	Yes
FAA:	Yes

⚠ WARNING: Cancer and Reproductive Harm - www.P65Warnings.ca.gov

⚠ ADVERTENCIA: Cáncer y daño reproductivo - www.P65Warnings.ca.gov

⚠ AVERTISSEMENT: Cancer et effets néfastes sur la reproduction - www.P65Warnings.ca.gov

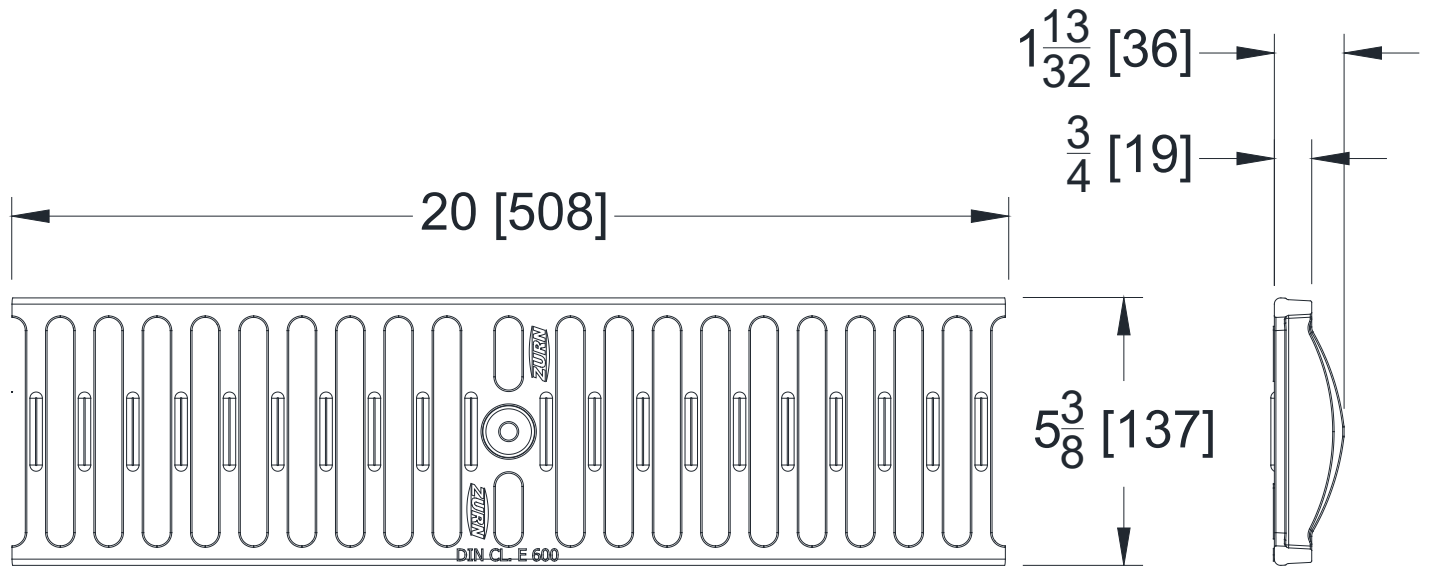


P6-BDE-USA
6 [152] WIDE DOMESTIC GRATE

Design and Dimensional Data (inches and [mm]) are Subject to Manufacturing Tolerances and Change Without Notice

[Back to Index](#)

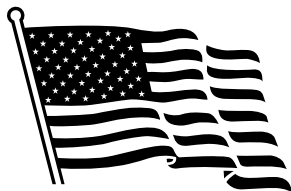
Please Check ✓	Item No.	Part Number	Item I.D.
—	6	94473	P6-BDE-USA



ENGINEERING SPECIFICATION: ZURN P6-BDE-USA

20" [508mm] X 5-3/8" [137mm] Black acid resistant epoxy coated Ductile Iron slotted grate weighing 6.4lbs per linear foot [9.5kg/m]. The grate has an open area of 28.2 in² per linear foot [594cm²/m]. Grate conforms to DIN rating of E, ANSI rating of Special-Duty, H-20 load rated, FAA load rated and ASTM A536 Grade 80-55-06.

BDE-USA - Black Acid Resistant	
Material:	Ductile Iron
DIN Rating:	Class E
Weight:	6.4 lbs/ft [9.5 kg/m]
Open Area:	28.2 in ² /ft [594 cm ² /m]
ANSI Rating:	Special-Duty
Application:	Dynamic Loads
Slot Width/Hole Size:	1/4" [6.4mm]
ADA:	No
H-20:	Yes
FAA:	Yes



MADE IN THE USA

⚠ WARNING: Cancer and Reproductive Harm - www.P65Warnings.ca.gov

⚠ ADVERTENCIA: Cáncer y daño reproductivo - www.P65Warnings.ca.gov

⚠ AVERTISSEMENT: Cancer et effets néfastes sur la reproduction - www.P65Warnings.ca.gov

Zurn Industries, LLC | Specification Drainage Operation
1801 Pittsburgh Avenue, Erie, PA 16502, Ph. 855.663.9876

In Canada | Zurn Industries Limited
7900 Goreway Drive, Unit 10, Brampton, Ontario L6T 5W6, Ph. 877.892.5216

www.zurn.com

Rev. AV
Date: 05/20/25
C.N. No. 146570
Patent zurn.com/patents
Prod. | Dwg. No. FT641

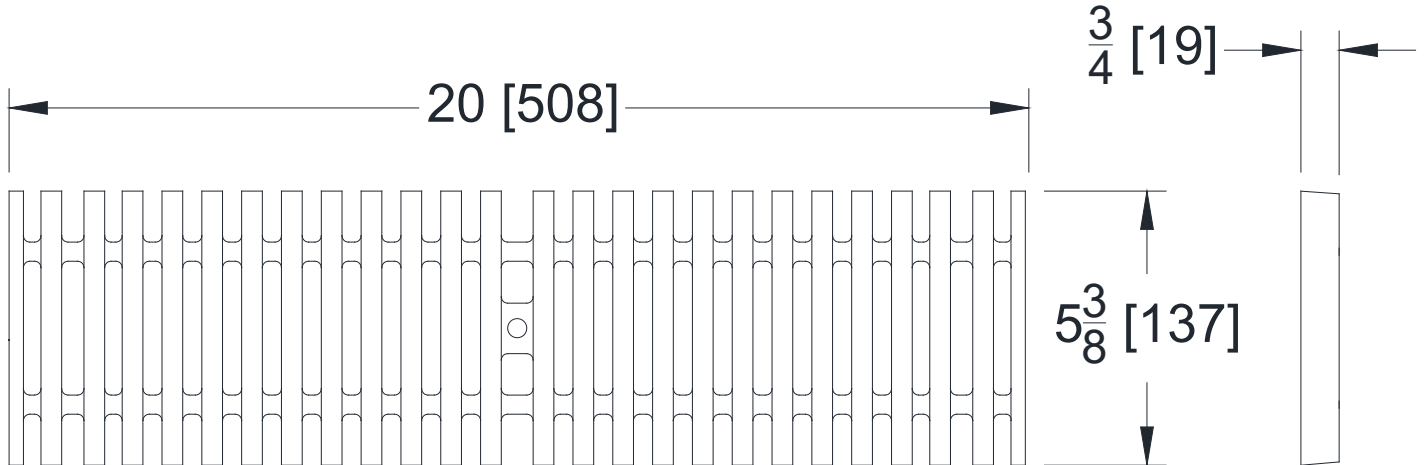


P6-BG
6 [152] WIDE GRATE

Design and Dimensional Data (inches and [mm]) are Subject to Manufacturing Tolerances and Change Without Notice

[Back to Index](#)

Please Check ✓	Item No.	Part Number	Item I.D.
—	7	61025	P6-BG



ENGINEERING SPECIFICATION: ZURN P6-BG

20" [508mm] X 5-3/8" [137mm] Galvanized ductile Iron slotted bar grate weighing 5.7 lbs per linear foot [8.5kg/m]. The grate has an open area of 23.9 in² per linear foot [505cm²/m]. Grate conforms to DIN rating of C, ANSI rating of Heavy-Duty, ADA compliant*, H-20 load rated, ASTM A536 Grade 80-55-06. Galvanized (hot dip) conforms to ASTM A123.

BG - Slotted Bar Grate	
Material:	Galvanized Ductile Iron
DIN Rating:	Class C
Weight:	5.7 lbs/ft [8.5 kg/m]
Open Area:	23.9 in ² /ft [505 cm ² /m]
ANSI Rating:	Heavy-Duty
Application:	Vehicle Traffic
Slot Width/Hole Size:	19/64" [7.5 mm]
ADA:	Yes*
H-20:	Yes
FAA:	No

* Elongated openings must be placed perpendicular to the dominant direction of travel.

⚠ WARNING: Cancer and Reproductive Harm - www.P65Warnings.ca.gov

⚠ ADVERTENCIA: Cáncer y daño reproductivo - www.P65Warnings.ca.gov

⚠ AVERTISSEMENT: Cancer et effets néfastes sur la reproduction - www.P65Warnings.ca.gov

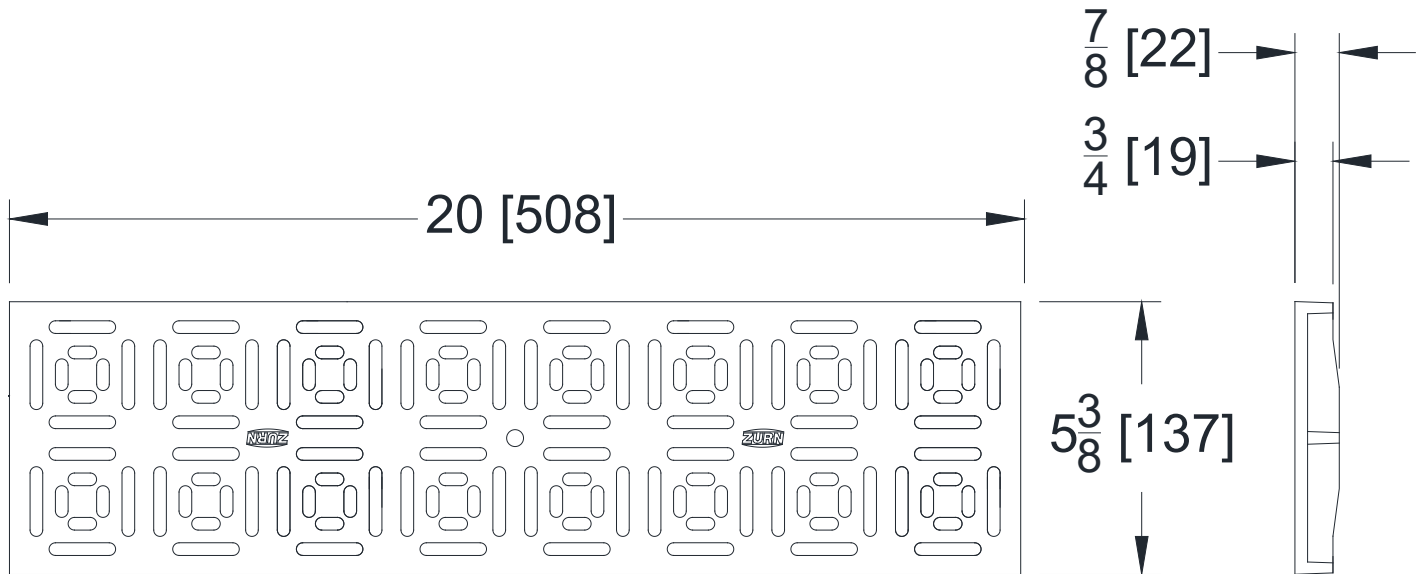


P6-BZ
6 [152] WIDE DOMESTIC DECORATIVE GRATE

Design and Dimensional Data (inches and [mm]) are Subject to Manufacturing Tolerances and Change Without Notice

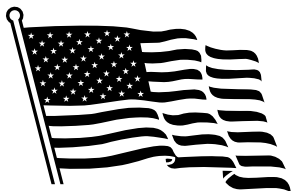
[Back to Index](#)

Please Check ✓	Item No.	Part Number	Item I.D.
—	8	64054	P6-BZ



ENGINEERING SPECIFICATION: ZURN P6-BZ

20" [508mm] X 5-3/8" [137mm] Bronze decorative grate weighing 6.2 lbs per linear foot [9.2kg/m]. The grate has an open area of 16.9 in² per linear foot [357cm²/m]. Grate conforms to DIN rating of A, ANSI rating of Light-Duty, ADA compliant, ASTM B584 Copper Alloy NO. C844.



MADE IN THE USA

BZ - Bronze Decorative	
Material:	Bronze
DIN Rating:	Class A
Weight:	6.2 lbs/ft [9.2 kg/m]
Open Area:	16.9 in ² /ft [357 cm ² /m]
ANSI Rating:	Light-Duty
Application:	Decorative Heel-Proof Pedestrian
Slot Width/Hole Size:	1/4" [6.4mm]
ADA:	Yes
H-20:	No
FAA:	No

⚠ WARNING: Cancer and Reproductive Harm - www.P65Warnings.ca.gov

⚠ ADVERTENCIA: Cáncer y daño reproductivo - www.P65Warnings.ca.gov

⚠ AVERTISSEMENT: Cancer et effets néfastes sur la reproduction - www.P65Warnings.ca.gov

Zurn Industries, LLC | Specification Drainage Operation
1801 Pittsburgh Avenue, Erie, PA 16502, Ph. 855.663.9876

In Canada | Zurn Industries Limited
7900 Goreway Drive, Unit 10, Brampton, Ontario L6T 5W6, Ph. 877.892.5216

www.zurn.com

Rev. AV
Date: 05/20/25
C.N. No. 146570
Patent zurn.com/patents
Prod. | Dwg. No. FT641

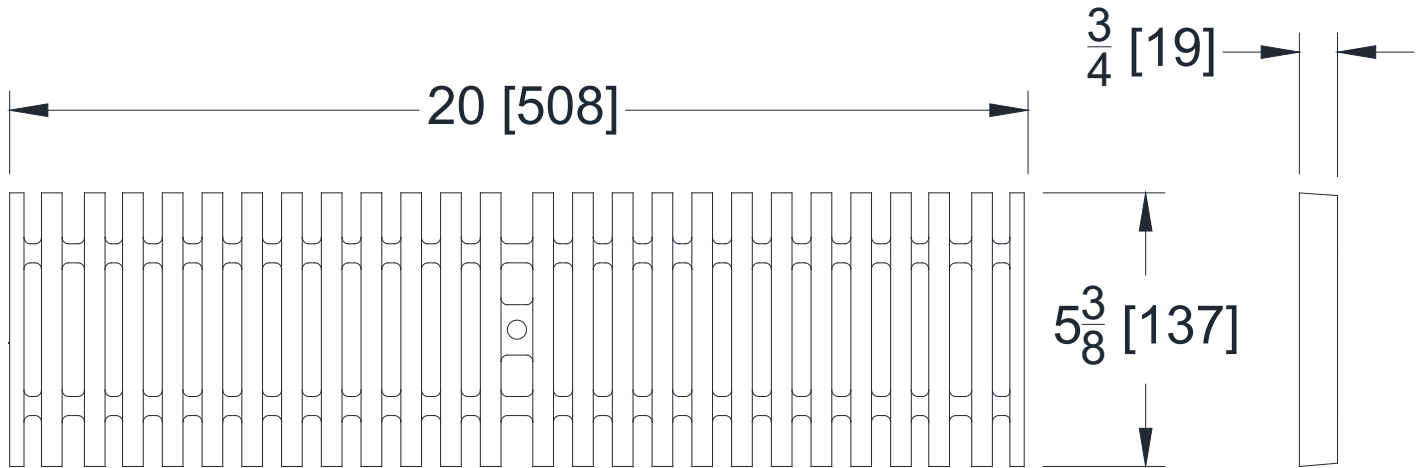


P6-DBG
6 [152] WIDE GRATE

Design and Dimensional Data (inches and [mm]) are Subject to Manufacturing Tolerances and Change Without Notice

[Back to Index](#)

Please Check ✓	Item No.	Part Number	Item I.D.
—	9	61025	P6-DBG



ENGINEERING SPECIFICATION: ZURN P6-DBG

20" [508mm] X 5-3/8" [137mm] Ductile Iron slotted bar Dura-coated grate weighing 5.7 lbs per linear foot [8.5kg/m]. The grate has an open area of 23.9 in² per linear foot [505cm²/m]. Grate conforms to DIN rating of C, ANSI rating of Heavy-Duty, ADA compliant*, H-20 load rated and ASTM A536 Grade 80-55-06.

DBG - Dura-Coated Bar Grate	
Material:	Ductile Iron
DIN Rating:	Class C
Weight:	5.7 lbs/ft [8.5 kg/m]
Open Area:	23.9 in ² /ft [505 cm ² /m]
ANSI Rating:	Heavy-Duty
Application:	Vehicle Traffic
Slot Width/Hole Size:	19/64" [7.5 mm]
ADA:	Yes*
H-20:	Yes
FAA:	No

* Elongated openings must be placed perpendicular to the dominant direction of travel.

⚠ WARNING: Cancer and Reproductive Harm - www.P65Warnings.ca.gov

⚠ ADVERTENCIA: Cáncer y daño reproductivo - www.P65Warnings.ca.gov

⚠ AVERTISSEMENT: Cancer et effets néfastes sur la reproduction - www.P65Warnings.ca.gov

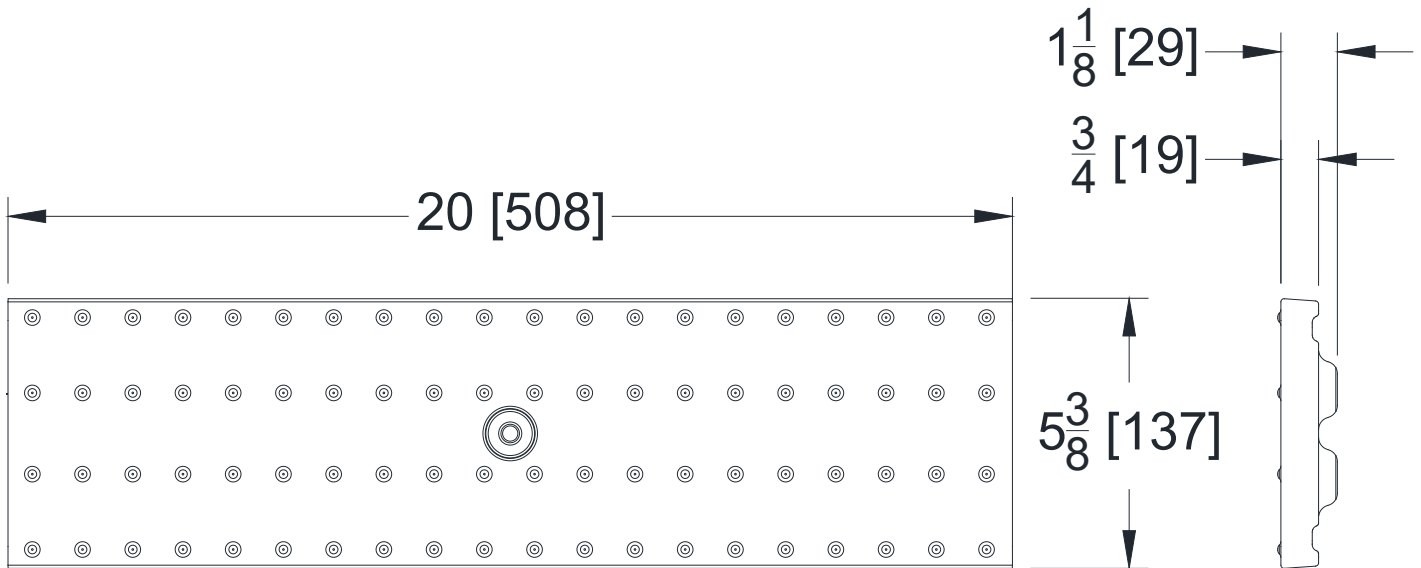


P6-DC
6 [152] WIDE COVER

Design and Dimensional Data (inches and [mm]) are Subject to Manufacturing Tolerances and Change Without Notice

[Back to Index](#)

Please Check ✓	Item No.	Part Number	Item I.D.
___	10	56780	P6-DC



ENGINEERING SPECIFICATION: ZURN P6-DC

20" [508mm] X 5-3/8" [137mm] Ductile Iron Dura-coated solid cover weighing 8 lbs per linear foot [11.8kg/m]. Grate conforms to DIN Rating of C, ANSI rating of Heavy-Duty, H-20 Load Rated, ADA compliant, and ASTM A536 Grade 80-55-06.

DC - Solid Cover	
Material:	Ductile Iron
DIN Rating:	Class C
Weight:	8 lbs/ft [11.8 kg/m]
Open Area:	N/A
ANSI Rating:	Heavy-Duty
Application:	Vehicle Traffic
Slot Width/Hole Size:	N/A
ADA:	Yes
H-20:	Yes
FAA:	No

⚠ WARNING: Cancer and Reproductive Harm - www.P65Warnings.ca.gov

⚠ ADVERTENCIA: Cáncer y daño reproductivo - www.P65Warnings.ca.gov

⚠ AVERTISSEMENT: Cancer et effets néfastes sur la reproduction - www.P65Warnings.ca.gov

Zurn Industries, LLC | Specification Drainage Operation
1801 Pittsburgh Avenue, Erie, PA 16502, Ph. 855.663.9876

In Canada | Zurn Industries Limited
7900 Goreway Drive, Unit 10, Brampton, Ontario L6T 5W6, Ph. 877.892.5216

www.zurn.com

Rev. AV
Date: 05/20/25
C.N. No. 146570
Patent zurn.com/patents
Prod. | Dwg. No. FT641

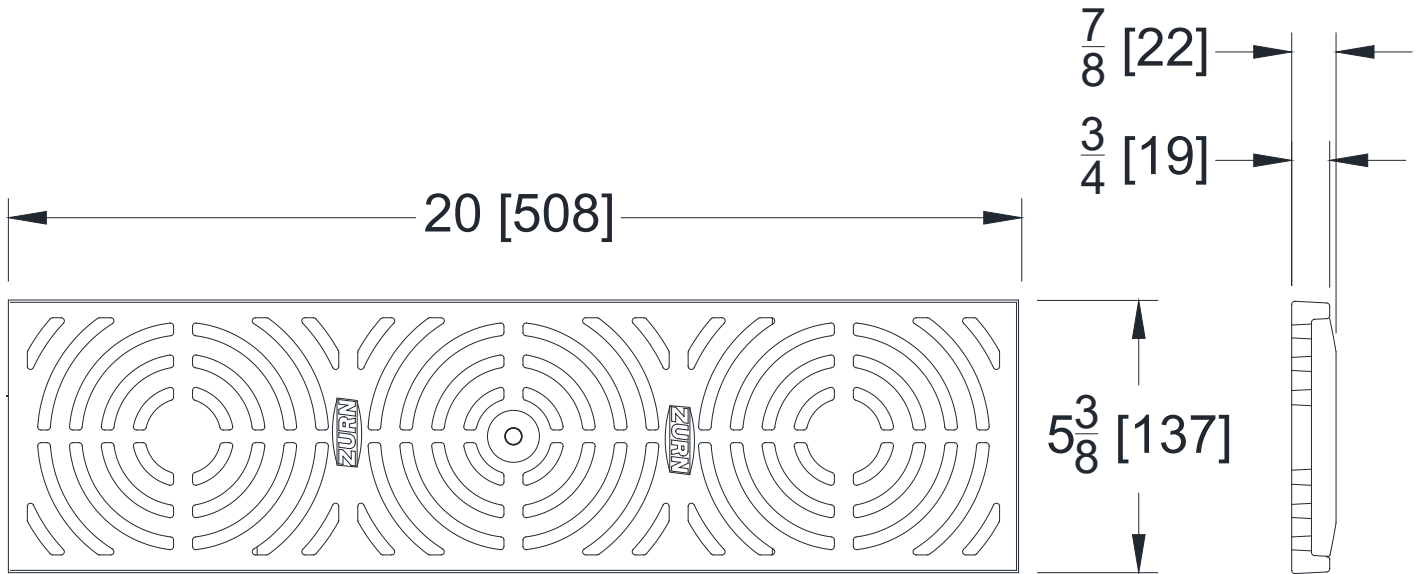


P6-DCD
6 [152] WIDE DECORATIVE GRATE

Design and Dimensional Data (inches and [mm]) are Subject to Manufacturing Tolerances and Change Without Notice

[Back to Index](#)

Please Check ✓	Item No.	Part Number	Item I.D.
—	11	64255	P6-DCD



ENGINEERING SPECIFICATION: ZURN P6-DCD

20" [508mm] X 5-3/8" [137mm] Ductile Iron circular decorative grate, weighing 6.3 lbs per linear foot [9.5kg/m]. The grate has an open area of 17.6 in² per linear foot [374cm²/m], DIN rating of C, ANSI rating of Heavy-Duty and ASTM A536 Grade 80-55-06.

DCD - Circular Decorative	
Material:	Ductile Iron
DIN Rating:	Class C
Weight:	6.3 lbs/ft [9.5 kg/m]
Open Area:	17.6 in ² /ft [372 cm ² /m]
ANSI Rating:	Heavy-Duty
Application:	Decorative Heel-Proof
Slot Width/Hole Size:	1/4" [6.4mm]
ADA:	Yes
H-20:	No
FAA:	No

⚠ WARNING: Cancer and Reproductive Harm - www.P65Warnings.ca.gov

⚠ ADVERTENCIA: Cáncer y daño reproductivo - www.P65Warnings.ca.gov

⚠ AVERTISSEMENT: Cancer et effets néfastes sur la reproduction - www.P65Warnings.ca.gov

Zurn Industries, LLC | Specification Drainage Operation
1801 Pittsburgh Avenue, Erie, PA 16502, Ph. 855.663.9876

In Canada | Zurn Industries Limited
7900 Goreway Drive, Unit 10, Brampton, Ontario L6T 5W6, Ph. 877.892.5216

www.zurn.com

Rev. AV
Date: 05/20/25
C.N. No. 146570
Patent zurn.com/patents
Prod. | Dwg. No. FT641

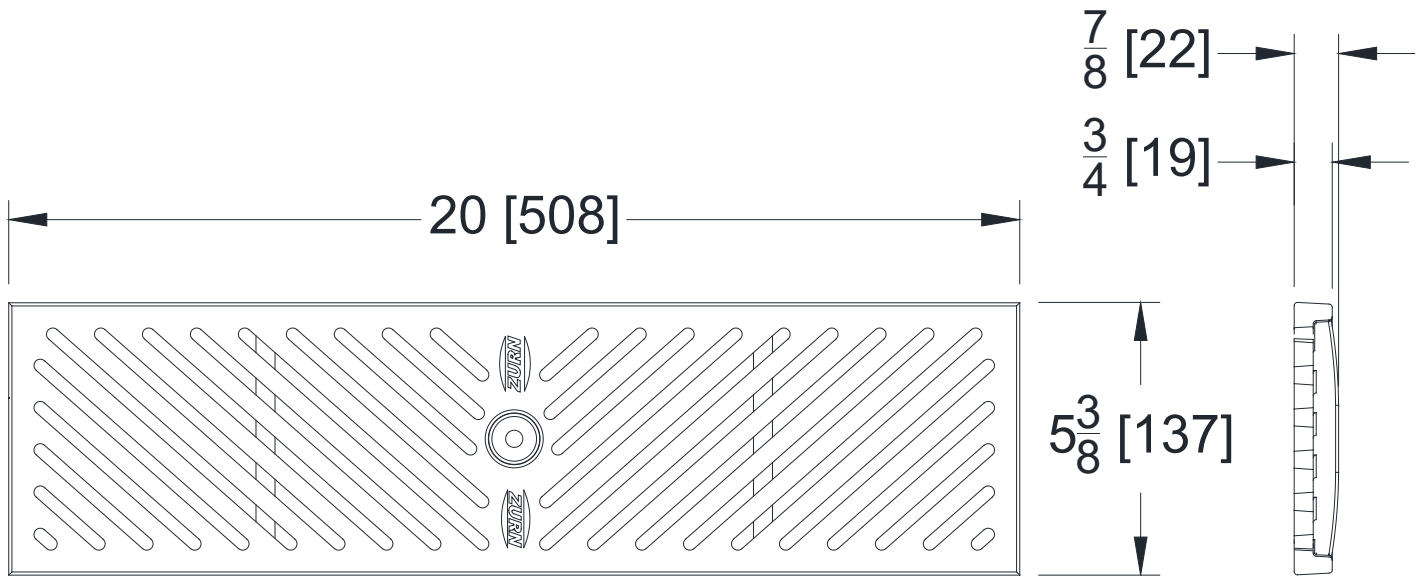


P6-DCE-USA
6 [152] WIDE DOMESTIC COVER

Design and Dimensional Data (inches and [mm]) are Subject to Manufacturing Tolerances and Change Without Notice

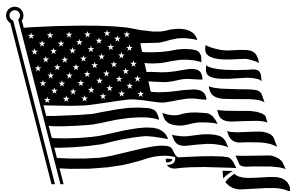
[Back to Index](#)

Please Check ✓	Item No.	Part Number	Item I.D.
—	12	84474	P6-DCE-USA



ENGINEERING SPECIFICATION: ZURN P6-DCE-USA

20" [508mm] X 5-3/8" [137mm] Ductile Iron Dura-coated solid cover, weighing 8.0 lbs per linear foot [11.8kg/m]. Grate conforms to DIN rating of E, ANSI rating of Special-Duty, is H-20 & FAA load rated, ADA compliant and ASTM A536 Grade 80-55-06.



MADE IN THE USA

DCE-USA - Solid Cover	
Material:	Ductile Iron
DIN Rating:	Class E
Weight:	8.0 lbs/ft [11.8 kg/m]
Open Area:	N/A
ANSI Rating:	Special-Duty
Application:	Dynamic Loads
Slot Width/Hole Size:	N/A
ADA:	Yes
H-20:	Yes
FAA:	Yes

⚠ WARNING: Cancer and Reproductive Harm - www.P65Warnings.ca.gov

⚠ ADVERTENCIA: Cáncer y daño reproductivo - www.P65Warnings.ca.gov

⚠ AVERTISSEMENT: Cancer et effets néfastes sur la reproduction - www.P65Warnings.ca.gov

Zurn Industries, LLC | Specification Drainage Operation
1801 Pittsburgh Avenue, Erie, PA 16502, Ph. 855.663.9876

In Canada | Zurn Industries Limited
7900 Goreway Drive, Unit 10, Brampton, Ontario L6T 5W6, Ph. 877.892.5216

www.zurn.com

Rev. AV
Date: 05/20/25
C.N. No. 146570
Patent zurn.com/patents
Prod. | Dwg. No. FT641

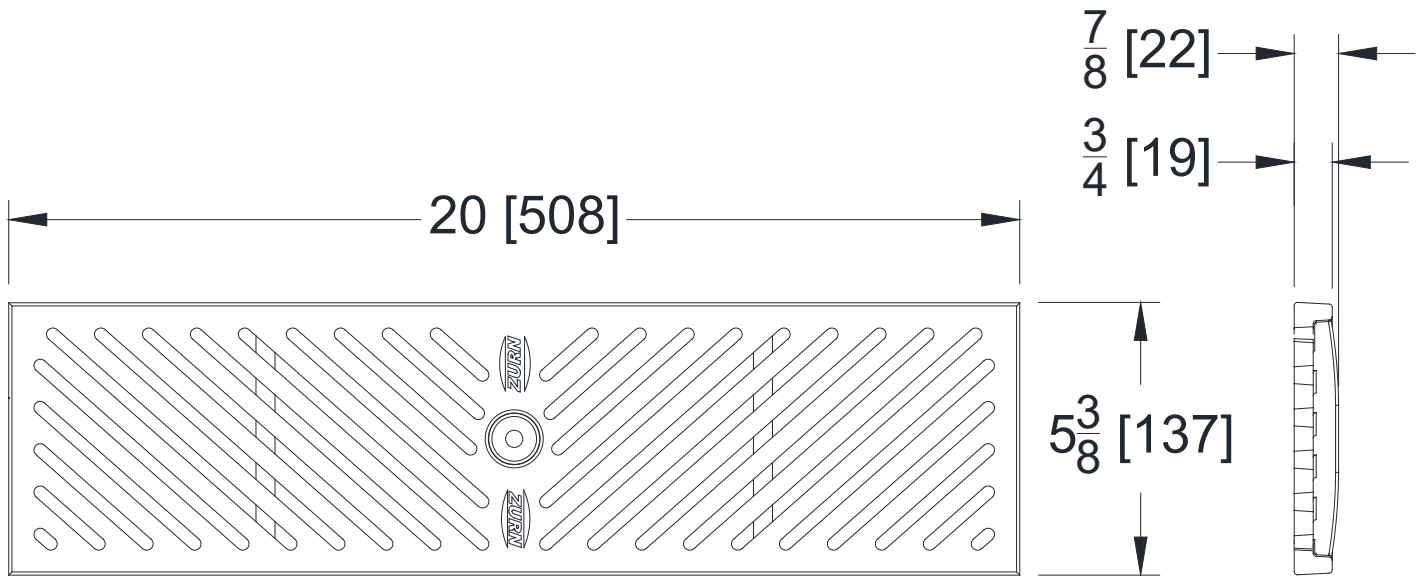


P6-DDD
6 [152] WIDE DECORATIVE GRATE

Design and Dimensional Data (inches and [mm]) are Subject to Manufacturing Tolerances and Change Without Notice

[Back to Index](#)

Please Check ✓	Item No.	Part Number	Item I.D.
—	13	67506	P6-DDD



ENGINEERING SPECIFICATION: ZURN P6-DDD

20" [508mm] X 5-3/8" [137mm] Ductile Iron diagonal decorative grate, weighing 5.5 lbs per linear foot [8.2kg/ m]. The grate has an open area of 17.9 in² per linear foot [377cm²/m]. Grate conforms to DIN rating of A, ANSI rating of Light-Duty, ADA compliant and ASTM A536 Grade 80-55-06.

DDD - Diagonal Decorative	
Material:	Ductile Iron
DIN Rating:	Class A
Weight:	5.5 lbs/ft [8.2 kg/m]
Open Area:	17.9 in ² /ft [377 cm ² /m]
ANSI Rating:	Light-Duty
Application:	Heel-Proof Pedestrian
Slot Width/Hole Size:	1/4" [6.4mm]
ADA:	Yes
H-20:	No
FAA:	No

⚠ WARNING: Cancer and Reproductive Harm - www.P65Warnings.ca.gov

⚠ ADVERTENCIA: Cáncer y daño reproductivo - www.P65Warnings.ca.gov

⚠ AVERTISSEMENT: Cancer et effets néfastes sur la reproduction - www.P65Warnings.ca.gov

Zurn Industries, LLC | Specification Drainage Operation
1801 Pittsburgh Avenue, Erie, PA 16502, Ph. 855.663.9876

In Canada | Zurn Industries Limited
7900 Goreway Drive, Unit 10, Brampton, Ontario L6T 5W6, Ph. 877.892.5216

www.zurn.com

Rev. AV
Date: 05/20/25
C.N. No. 146570
Patent zurn.com/patents
Prod. | Dwg. No. FT641

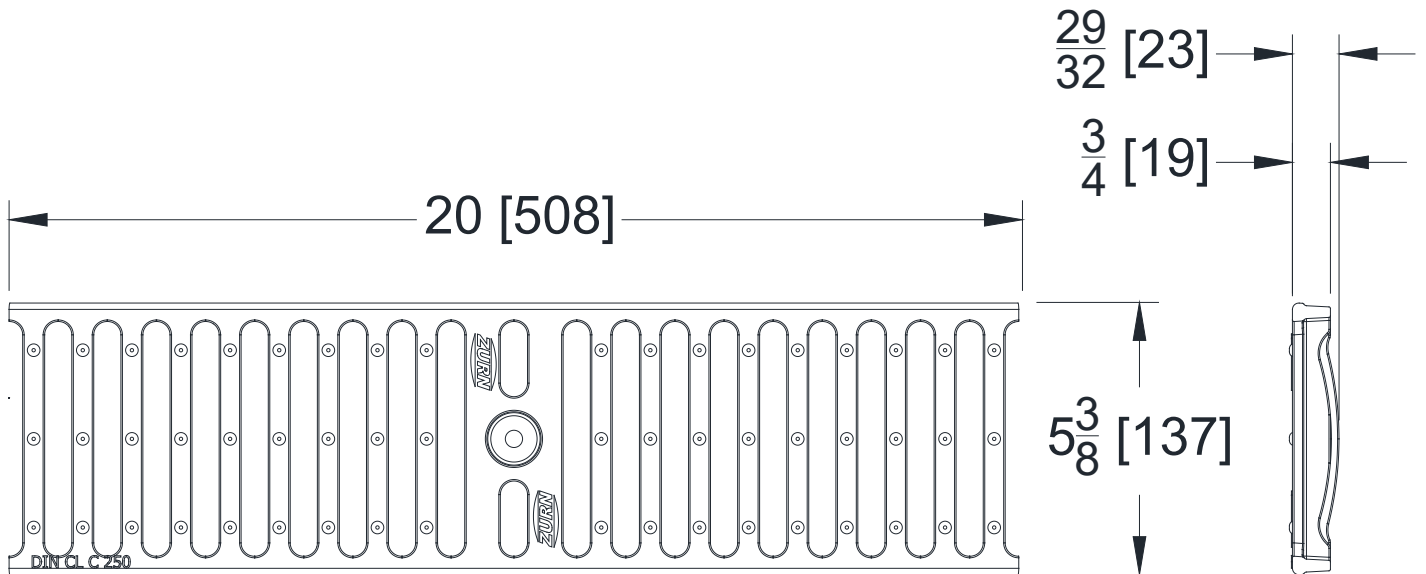


P6-DGC
6 [152] WIDE GRATE

Design and Dimensional Data (inches and [mm]) are Subject to Manufacturing Tolerances and Change Without Notice

[Back to Index](#)

Please Check ✓	Item No.	Part Number	Item I.D.
—	14	94472	P6-DGC



ENGINEERING SPECIFICATION: ZURN P6-DGC

20" [508mm] X 5-3/8" [137mm] Ductile Iron slotted grate weighing 4.5 lbs per linear foot [6.6kg/m]. The grate has an open area of 28.2 in² per linear foot [594cm²/m], DIN rating of C, ANSI rating of Heavy-Duty, H-20 load rated and ASTM A536 Grade 80-55-06.

DGC - Slotted Grate	
Material:	Ductile Iron
DIN Rating:	Class C
Weight:	4.5 lbs/ft [6.6 kg/m]
Open Area:	28.2 in ² /ft [594 cm ² /m]
ANSI Rating:	Heavy-Duty
Application:	Vehicle Traffic
Slot Width/Hole Size:	1/2" [12.7 mm]
ADA:	No
H-20:	Yes
FAA:	No

⚠ WARNING: Cancer and Reproductive Harm - www.P65Warnings.ca.gov

⚠ ADVERTENCIA: Cáncer y daño reproductivo - www.P65Warnings.ca.gov

⚠ AVERTISSEMENT: Cancer et effets néfastes sur la reproduction - www.P65Warnings.ca.gov

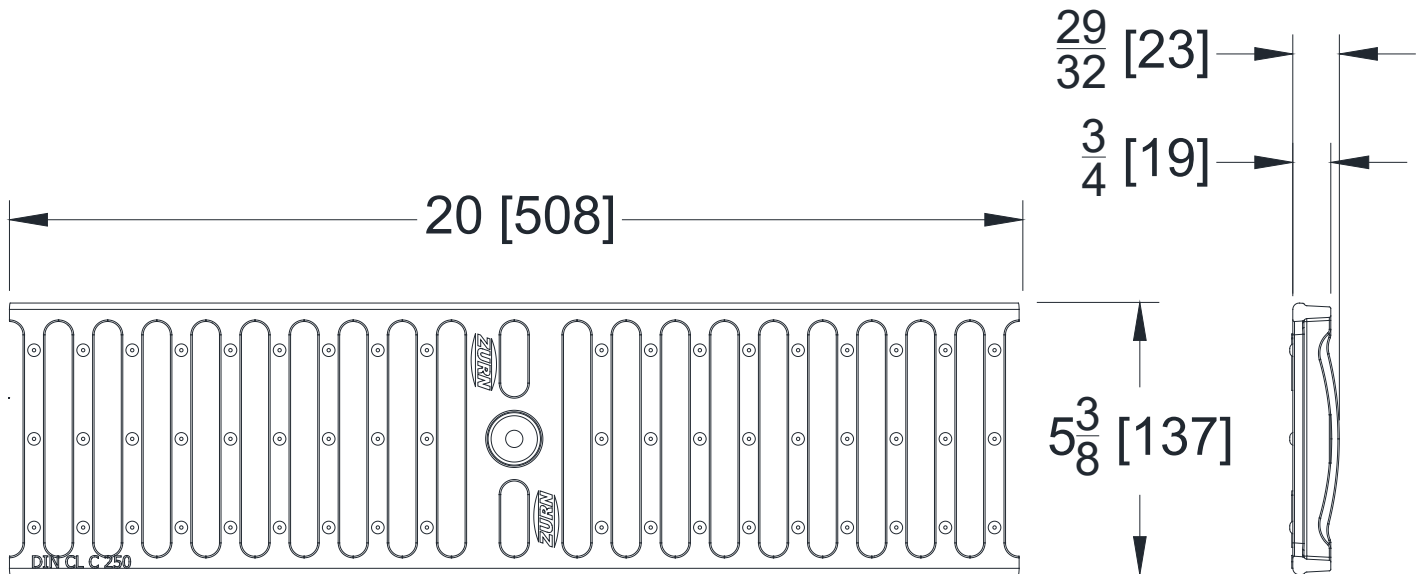


P6-DGC-USA
6 [152] WIDE DOMESTIC GRATE

Design and Dimensional Data (inches and [mm]) are Subject to Manufacturing Tolerances and Change Without Notice

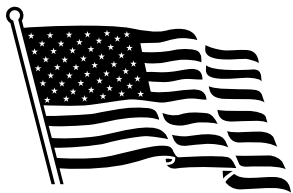
[Back to Index](#)

Please Check ✓	Item No.	Part Number	Item I.D.
—	15	94472	P6-DGC-USA



ENGINEERING SPECIFICATION: ZURN P6-DGC-USA

20" [508mm] X 5-3/8" [137mm] Ductile Iron slotted grate weighing 4.5 lbs per linear foot [6.6kg/m]. The grate has an open area of 28.2 in² per linear foot [594cm²/m]. Grate conforms to DIN rating of C, ANSI rating of Heavy-Duty, H-20 load rated and ASTM A536 Grade 80-55-06.



MADE IN THE USA

DGC-USA - Slotted Grate	
Material:	Ductile Iron
DIN Rating:	Class C
Weight:	4.5 lbs/ft [6.6 kg/m]
Open Area:	28.2 in ² /ft [594 cm ² /m]
ANSI Rating:	Light-Duty
Application:	Decorative Heel-Proof
Slot Width/Hole Size:	1/2" [12.7 mm]
ADA:	No
H-20:	Yes
FAA:	No

⚠ WARNING: Cancer and Reproductive Harm - www.P65Warnings.ca.gov

⚠ ADVERTENCIA: Cáncer y daño reproductivo - www.P65Warnings.ca.gov

⚠ AVERTISSEMENT: Cancer et effets néfastes sur la reproduction - www.P65Warnings.ca.gov

Zurn Industries, LLC | Specification Drainage Operation
1801 Pittsburgh Avenue, Erie, PA 16502, Ph. 855.663.9876

In Canada | Zurn Industries Limited
7900 Goreway Drive, Unit 10, Brampton, Ontario L6T 5W6, Ph. 877.892.5216

www.zurn.com

Rev. AV
Date: 05/20/25
C.N. No. 146570
Patent zurn.com/patents
Prod. | Dwg. No. FT641

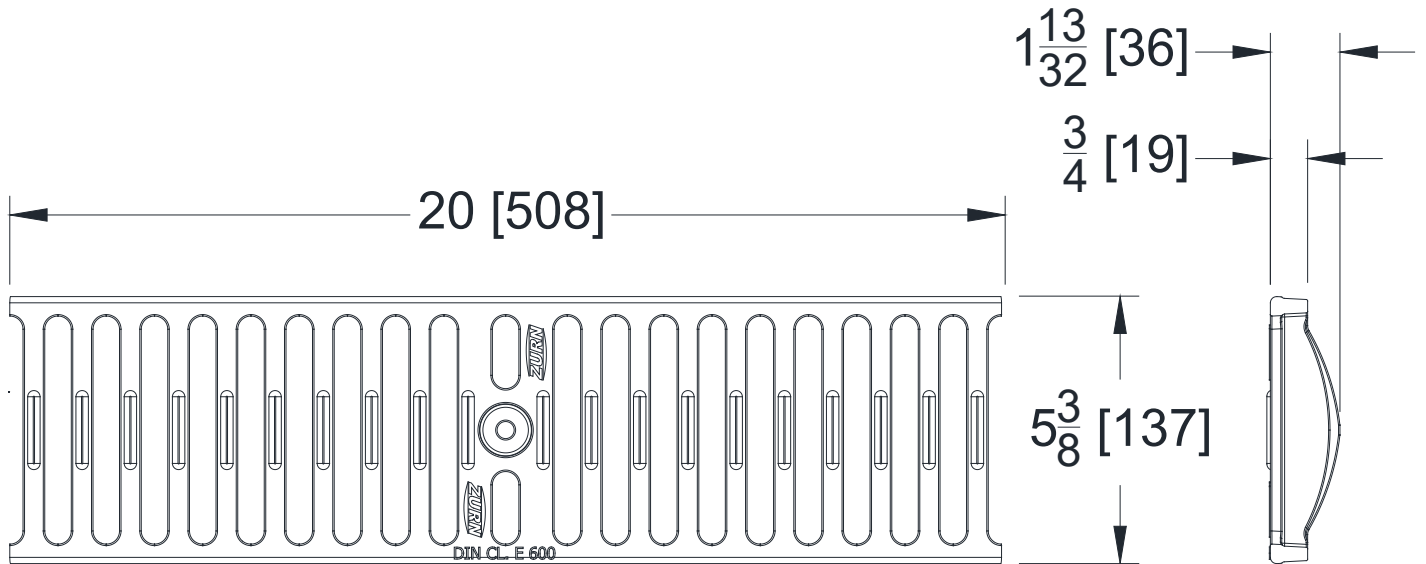


P6-BCD
6 [152] WIDE DECORATIVE GRATE

Design and Dimensional Data (inches and [mm]) are Subject to Manufacturing Tolerances and Change Without Notice

[Back to Index](#)

Please Check ✓	Item No.	Part Number	Item I.D.
—	16	94473	P6-DGE



ENGINEERING SPECIFICATION: ZURN P6-DGE

20" [508mm] X 5-3/8" [137mm] Ductile Iron slotted grate weighing 6.4 lbs per linear foot [9.5kg/m]. The grate has an open area of 28.2 in² per linear foot [594cm²/m]. Grate conforms to DIN rating of E, ANSI rating of Special-Duty, H-20 load rated, FAA load rated and ASTM A536 Grade 80-55-06.

DGE - Slotted Grate	
Material:	Ductile Iron
DIN Rating:	Class E
Weight:	6.4 lbs/ft [9.5 kg/m]
Open Area:	28.2 in ² /ft [594 cm ² /m]
ANSI Rating:	Special-Duty
Application:	Dynamic Loads
Slot Width/Hole Size:	1/2" [12.7 mm]
ADA:	No
H-20:	Yes
FAA:	Yes

⚠ WARNING: Cancer and Reproductive Harm - www.P65Warnings.ca.gov

⚠ ADVERTENCIA: Cáncer y daño reproductivo - www.P65Warnings.ca.gov

⚠ AVERTISSEMENT: Cancer et effets néfastes sur la reproduction - www.P65Warnings.ca.gov

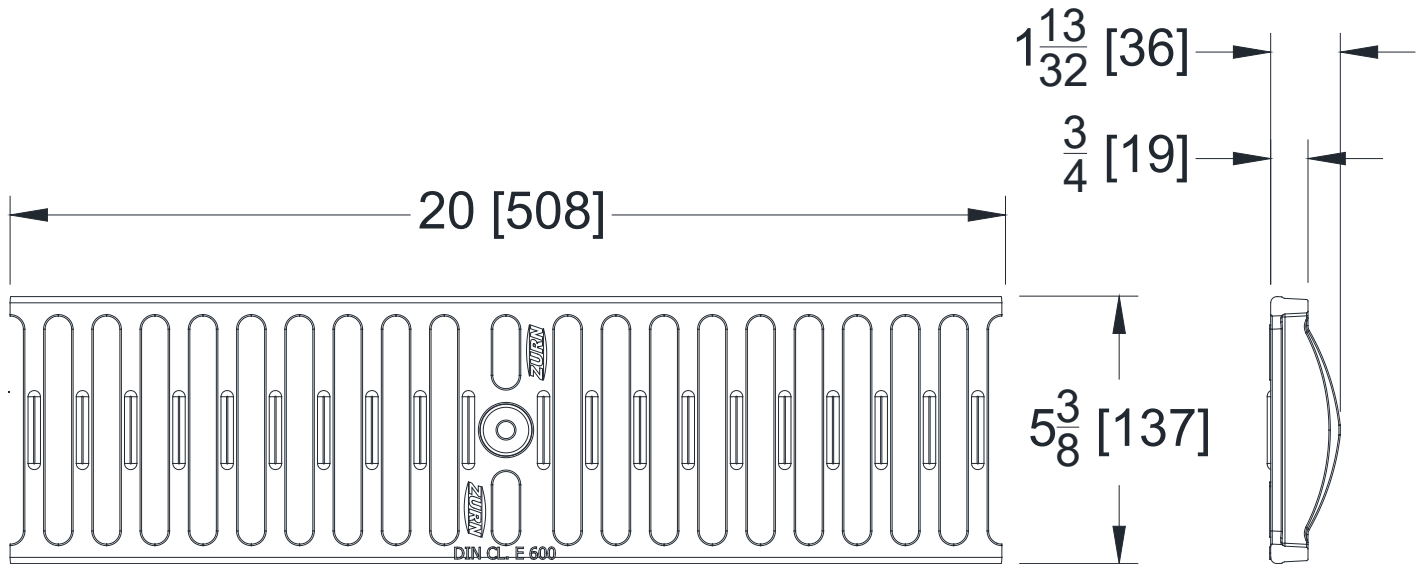


P6-DGE-USA
6 [152] WIDE DOMESTIC GRATE

Design and Dimensional Data (inches and [mm]) are Subject to Manufacturing Tolerances and Change Without Notice

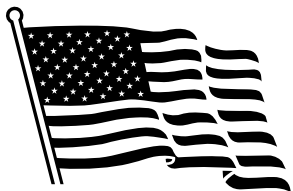
[Back to Index](#)

Please Check ✓	Item No.	Part Number	Item I.D.
—	17	94473	P6-DGE-USA



ENGINEERING SPECIFICATION: ZURN P6-DGE-USA

20" [508mm] X 5-3/8" [137mm] Ductile Iron slotted grate weighing 6.4 lbs per linear foot [9.5kg/m]. The grate has an open area of 28.2 in² per linear foot [594cm²/m]. Grate conforms to DIN rating of E, ANSI rating of Special-Duty, H-20 and FAA load rated. Grate conforms to ASTM A536 Grade 80-55-06.



MADE IN THE USA

DGE-USA - Slotted Grate	
Material:	Ductile Iron
DIN Rating:	Class E
Weight:	6.4 lbs/ft [9.5 kg/m]
Open Area:	28.2 in ² /ft [594 cm ² /m]
ANSI Rating:	Special-Duty
Application:	Dynamic Load
Slot Width/Hole Size:	1/2" [12.7 mm]
ADA:	No
H-20:	Yes
FAA:	Yes

⚠ WARNING: Cancer and Reproductive Harm - www.P65Warnings.ca.gov

⚠ ADVERTENCIA: Cáncer y daño reproductivo - www.P65Warnings.ca.gov

⚠ AVERTISSEMENT: Cancer et effets néfastes sur la reproduction - www.P65Warnings.ca.gov

Zurn Industries, LLC | Specification Drainage Operation
1801 Pittsburgh Avenue, Erie, PA 16502, Ph. 855.663.9876

In Canada | Zurn Industries Limited
7900 Goreway Drive, Unit 10, Brampton, Ontario L6T 5W6, Ph. 877.892.5216

www.zurn.com

Rev. AV
Date: 05/20/25
C.N. No. 146570
Patent zurn.com/patents
Prod. | Dwg. No. FT641

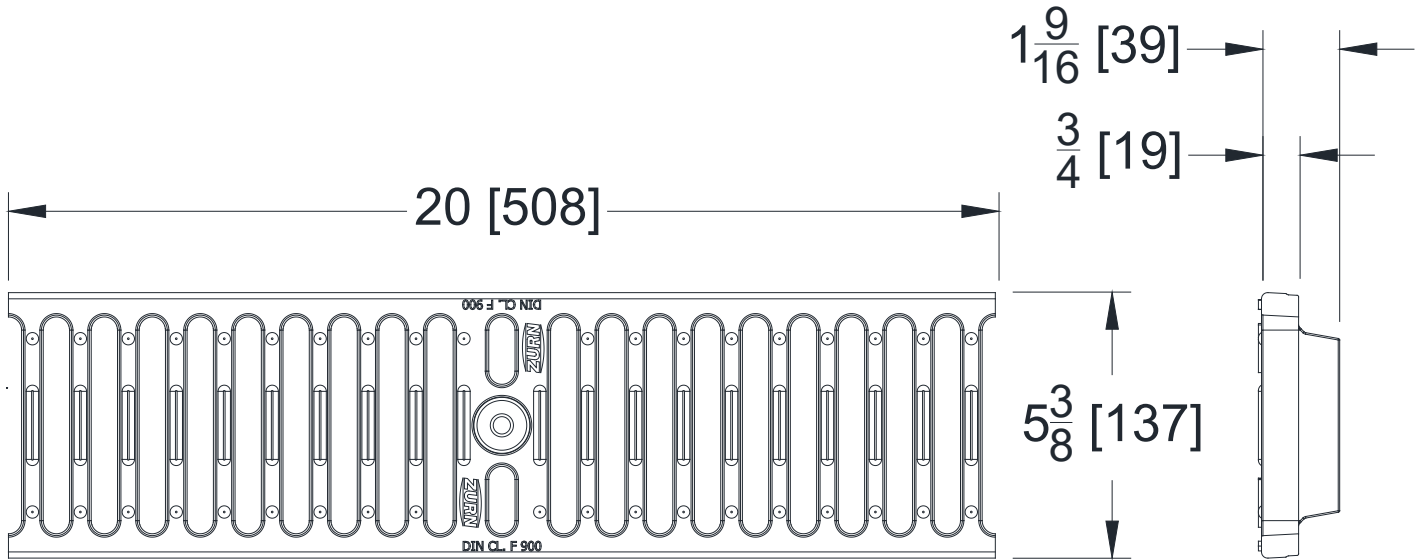


P6-DGF
6 [152] WIDE GRATE

Design and Dimensional Data (inches and [mm]) are Subject to Manufacturing Tolerances and Change Without Notice

[Back to Index](#)

Please Check ✓	Item No.	Part Number	Item I.D.
___	18	331657	P6-DGF



ENGINEERING SPECIFICATION: ZURN P6-DGF

20" [508mm] X 5-3/8" [137mm] Ductile Iron slotted grate weighing 9.4 lbs/ft [14.0 kg/m]. The grate has an open area of 31.0 in²/ft [656.2 cm²/m]. Grate conforms to DIN rating of F, ANSI rating of Special-Duty, H-20 load rated, FAA load rated and ASTM A536 Grade 80-55-06.

DGF - Slotted Grate	
Material:	Ductile Iron
DIN Rating:	Class F
Weight:	9.4 lbs/ft [14.0 kg/m]
Open Area:	31.0 in ² /ft [656 cm ² /m]
ANSI Rating:	Special-Duty
Application:	Dynamic Load
Slot Width/Hole Size:	1/2" [12.7 mm]
ADA:	No
H-20:	Yes
FAA:	Yes

- ⚠ WARNING:** Cancer and Reproductive Harm - www.P65Warnings.ca.gov
- ⚠ ADVERTENCIA:** Cáncer y daño reproductivo - www.P65Warnings.ca.gov
- ⚠ AVERTISSEMENT:** Cancer et effets néfastes sur la reproduction - www.P65Warnings.ca.gov

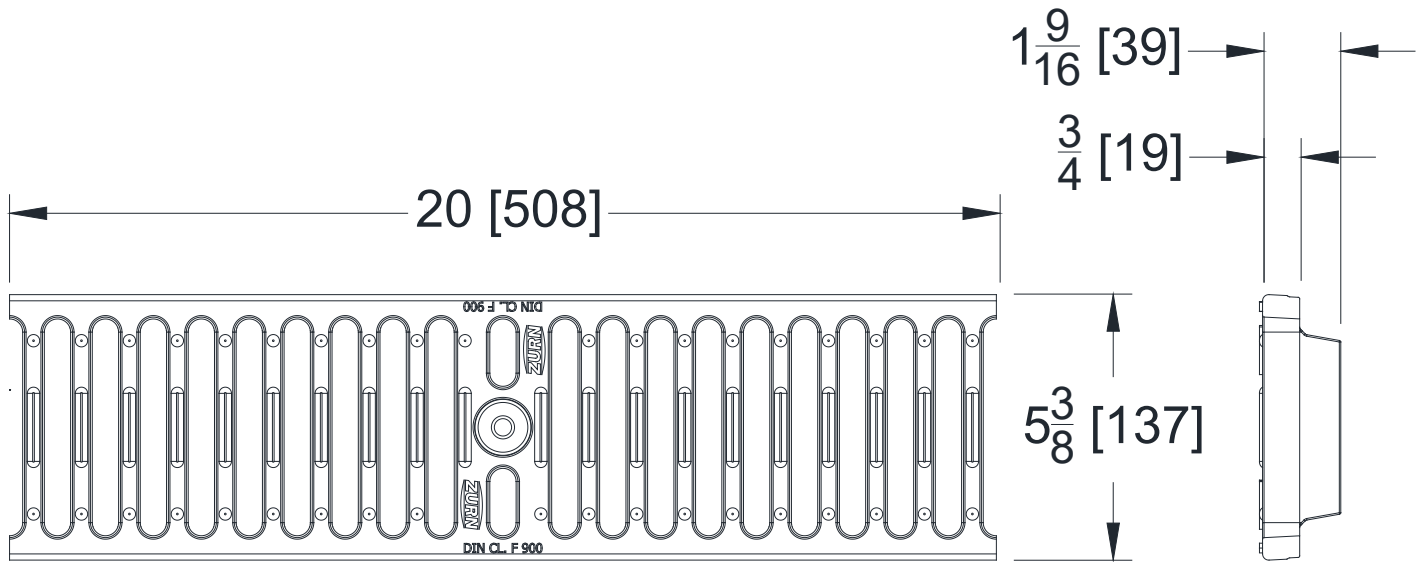


P6-DGF-USA
6 [152] WIDE DOMESTIC GRATE

Design and Dimensional Data (inches and [mm]) are Subject to Manufacturing Tolerances and Change Without Notice

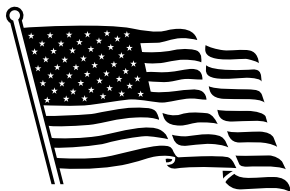
[Back to Index](#)

Please Check ✓	Item No.	Part Number	Item I.D.
___	19	331657	P6-DGF-USA



ENGINEERING SPECIFICATION: ZURN P6-DGF-USA

20" [508mm] X 5-3/8" [137mm] Ductile Iron slotted grate weighing 9.4 lbs/ft [14.0 kg/m]. The grate has an open area of 31.0 in²/ft [656.2 cm²/m]. Grate conforms to DIN rating of F, ANSI rating of Special-Duty, H-20 load rated, FAA load rated and ASTM A536 Grade 80-55-06.



MADE IN THE USA

DGF-USA Slotted Grate	
Material:	Ductile Iron
DIN Rating:	Class F
Weight:	9.4 lbs/ft [14.0 kg/m]
Open Area:	31.0 in ² /ft [656 cm ² /m]
ANSI Rating:	Special-Duty
Application:	Dynamic Load
Slot Width/Hole Size:	1/2" [12.7 mm]
ADA:	No
H-20:	Yes
FAA:	Yes

⚠ WARNING: Cancer and Reproductive Harm - www.P65Warnings.ca.gov

⚠ ADVERTENCIA: Cáncer y daño reproductivo - www.P65Warnings.ca.gov

⚠ AVERTISSEMENT: Cancer et effets néfastes sur la reproduction - www.P65Warnings.ca.gov

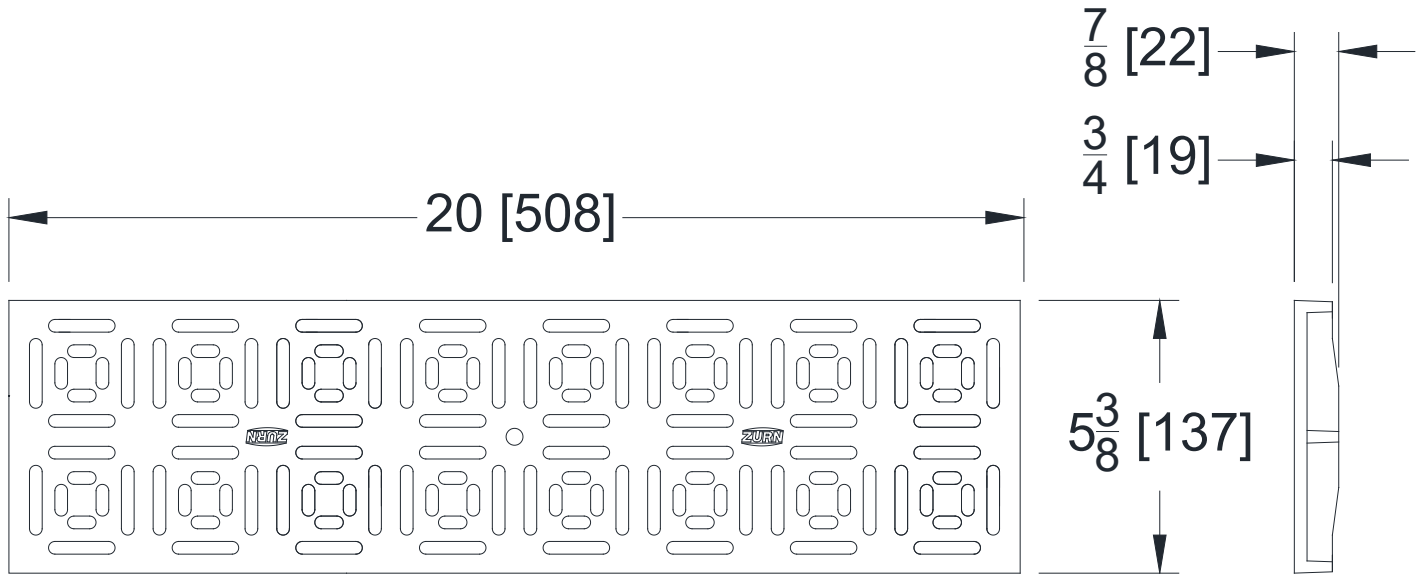


P6-DOG
6 [152] WIDE DECORATIVE GRATE

Design and Dimensional Data (inches and [mm]) are Subject to Manufacturing Tolerances and Change Without Notice

[Back to Index](#)

Please Check ✓	Item No.	Part Number	Item I.D.
___	20	64054	P6-DOG



ENGINEERING SPECIFICATION: ZURN P6-DOG

20" [508mm] X 5-3/8" [137mm] Ductile Iron ornamental grate weighing 4.9 lbs per linear foot [7.2kg/m]. The grate has an open area of 16.9 in² per linear foot [357cm²/m]. Grate conforms to DIN rating of B, ANSI rating of Medium-Duty, ADA compliant and ASTM A536 Grade 80-55-06.

DOG - Ornamental Grate	
Material:	Ductile Iron
DIN Rating:	Class B
Weight:	4.9 lbs/ft [7.2 kg/m]
Open Area:	16.9 in ² /ft [357 cm ² /m]
ANSI Rating:	Medium-Duty
Application:	Decorative Heel-Proof
Slot Width/Hole Size:	1/4" [6.4mm]
ADA:	Yes
H-20:	No
FAA:	No

⚠ WARNING: Cancer and Reproductive Harm - www.P65Warnings.ca.gov

⚠ ADVERTENCIA: Cáncer y daño reproductivo - www.P65Warnings.ca.gov

⚠ AVERTISSEMENT: Cancer et effets néfastes sur la reproduction - www.P65Warnings.ca.gov

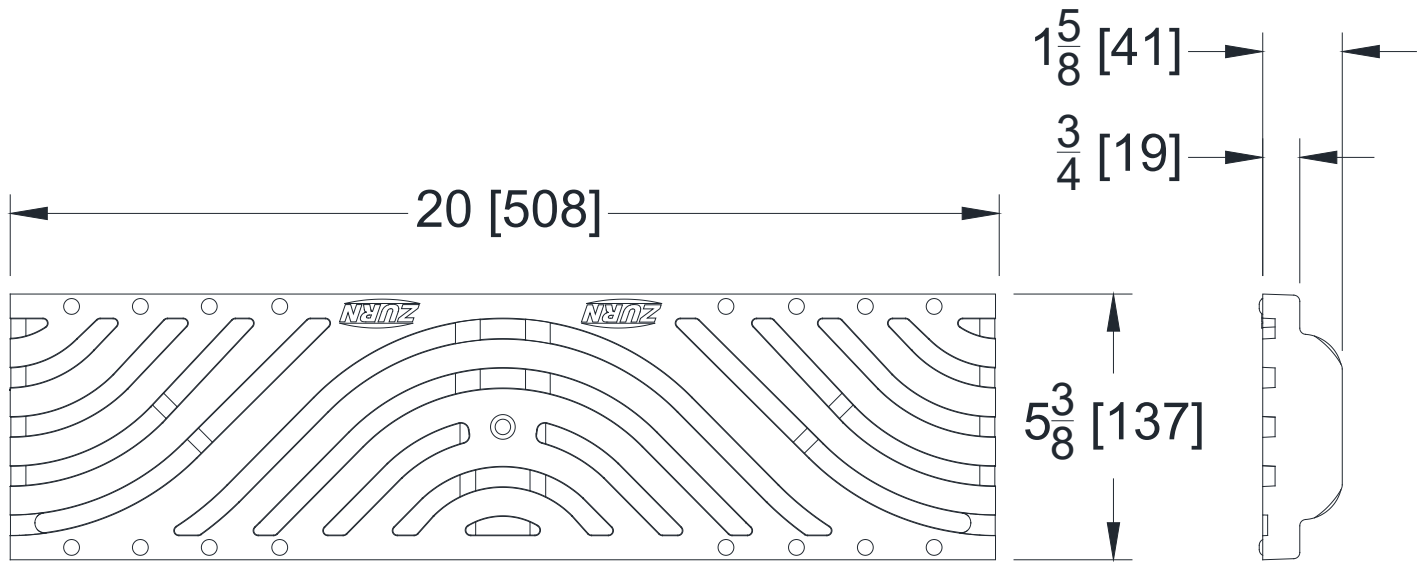


P6-DTW
6 [152] WIDE DECORATIVE GRATE

Design and Dimensional Data (inches and [mm]) are Subject to Manufacturing Tolerances and Change Without Notice

[Back to Index](#)

Please Check ✓	Item No.	Part Number	Item I.D.
—	21	94069	P6-DTW



ENGINEERING SPECIFICATION: ZURN P6-DTW

20" [508mm] X 5-3/8" [137mm] Ductile Iron decorative tidal wave grate weighing 8.1 lbs per linear foot [12.1kg/m]. The grate has an open area of 21.0 in² per linear foot [443cm²/m]. Grate conforms to DIN Rating of C, ANSI Rating of Heavy-Duty, ADA compliant, H20 load rated and ASTM A536 Grade 80-55-06.

DTW - Decorative Tidal Wave	
Material:	Ductile Iron
DIN Rating:	Class C
Weight:	8.1 lbs/ft [12.1 kg/m]
Open Area:	21.0 in ² /ft [443 cm ² /m]
ANSI Rating:	Heavy-Duty
Application:	Decorative
Slot Width/Hole Size:	13/32" [10 mm]
ADA:	Yes
H-20:	Yes
FAA:	No

⚠ WARNING: Cancer and Reproductive Harm - www.P65Warnings.ca.gov

⚠ ADVERTENCIA: Cáncer y daño reproductivo - www.P65Warnings.ca.gov

⚠ AVERTISSEMENT: Cancer et effets néfastes sur la reproduction - www.P65Warnings.ca.gov

Zurn Industries, LLC | Specification Drainage Operation
1801 Pittsburgh Avenue, Erie, PA 16502, Ph. 855.663.9876

In Canada | Zurn Industries Limited
7900 Goreway Drive, Unit 10, Brampton, Ontario L6T 5W6, Ph. 877.892.5216

www.zurn.com

Rev. AV
Date: 05/20/25
C.N. No. 146570
Patent zurn.com/patents
Prod. | Dwg. No. FT641

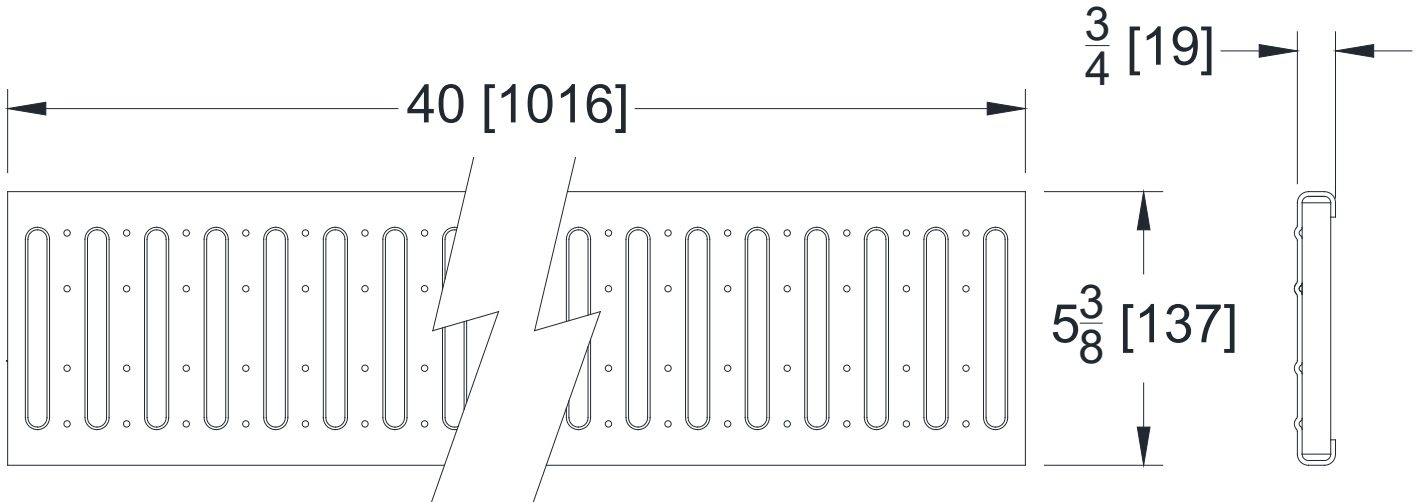


P6-FG
6 [152] WIDE DOMESTIC GRATE

Design and Dimensional Data (inches and [mm]) are Subject to Manufacturing Tolerances and Change Without Notice

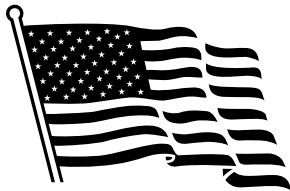
[Back to Index](#)

Please Check ✓	Item No.	Part Number	Item I.D.
—	22	64063	P6-FG



ENGINEERING SPECIFICATION: ZURN P6-FG

40" [1016mm] X 5-3/8" [137mm] Galvanized steel fabricated slotted grate weighing 1.7 lbs per linear foot [2.6kg/m]. The grate has an open area of 12.0 in² per linear foot [253cm²/m]. Grate conforms to DIN rating of A, ANSI rating of Light-Duty, and ADA compliant*. Galvanized skin conforms to ASTM A1011 or ASME A1008, Galvanizing conforms to ASTM A653, Galvanized Coating designation G60, and minimum spangle.



MADE IN THE USA

FG - Fabricated Slotted	
Material:	Galvanized Steel
DIN Rating:	Class A
Weight:	1.7 lbs/ft [2.6 kg/m]
Open Area:	12.0 in ² /ft [253 cm ² /m]
ANSI Rating:	Light-Duty
Application:	Pedestrian Traffic
Slot Width/Hole Size:	3/8" [9.5 mm]
ADA:	Yes*
H-20:	No
FAA:	No

* Elongated openings must be placed perpendicular to the dominant direction of travel.

⚠ WARNING: Cancer and Reproductive Harm - www.P65Warnings.ca.gov

⚠ ADVERTENCIA: Cáncer y daño reproductivo - www.P65Warnings.ca.gov

⚠ AVERTISSEMENT: Cancer et effets néfastes sur la reproduction - www.P65Warnings.ca.gov

Zurn Industries, LLC | Specification Drainage Operation
1801 Pittsburgh Avenue, Erie, PA 16502, Ph. 855.663.9876

In Canada | Zurn Industries Limited
7900 Goreway Drive, Unit 10, Brampton, Ontario L6T 5W6, Ph. 877.892.5216

www.zurn.com

Rev. AV
Date: 05/20/25
C.N. No. 146570
Patent zurn.com/patents
Prod. | Dwg. No. FT641

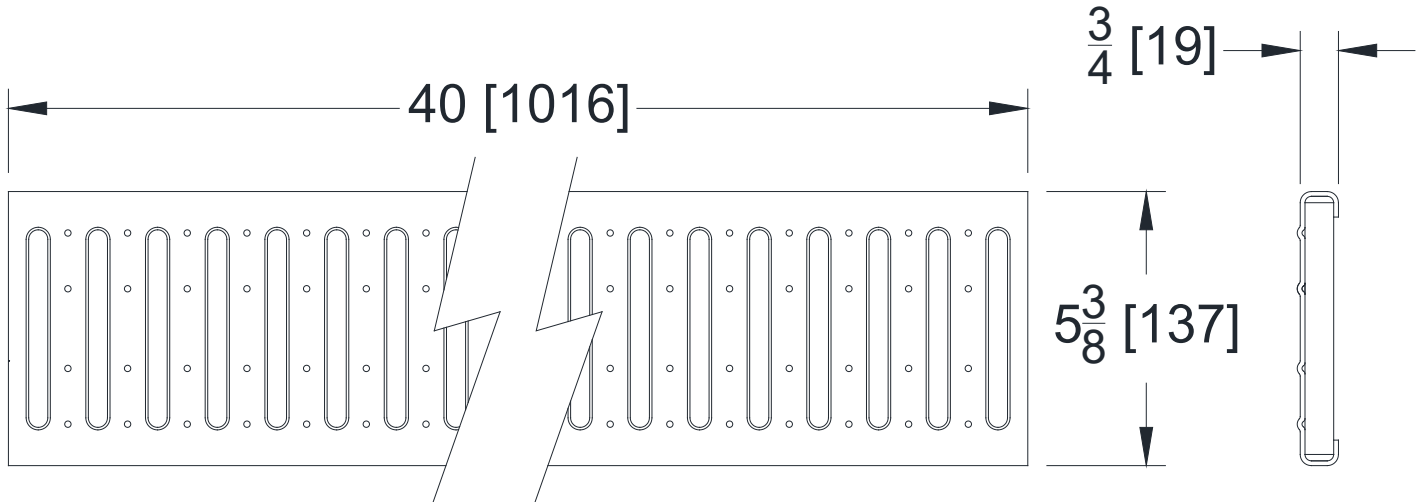


P6-FS
6 [152] WIDE DOMESTIC GRATE

Design and Dimensional Data (inches and [mm]) are Subject to Manufacturing Tolerances and Change Without Notice

[Back to Index](#)

Please Check ✓	Item No.	Part Number	Item I.D.
—	23	64063	P6-FS



ENGINEERING SPECIFICATION: ZURN P6-FS

40" [1016mm] X 5-3/8" [137mm] Stainless steel fabricated slotted grate weighing 1.7 lbs per linear foot [2.6kg/m]. The grate has an open area of 12.0 in² per linear foot [253cm²/m]. Grate conforms to DIN rating of A, ANSI rating of Light-Duty, ADA compliant* and ASTM A-240 TYPE 304 (316 by request).



FS - Slotted	
Material:	Type 304 Stainless Steel
DIN Rating:	Class A
Weight:	1.7 lbs/ft [2.6 kg/m]
Open Area:	12.0 in ² /ft [253 cm ² /m]
ANSI Rating:	Light-Duty
Application:	Pedestrian Traffic
Slot Width/Hole Size:	3/8" [9.5 mm]
ADA:	Yes*
H-20:	No
FAA:	No

* Elongated openings must be placed perpendicular to the dominant direction of travel.

⚠ WARNING: Cancer and Reproductive Harm - www.P65Warnings.ca.gov

⚠ ADVERTENCIA: Cáncer y daño reproductivo - www.P65Warnings.ca.gov

⚠ AVERTISSEMENT: Cancer et effets néfastes sur la reproduction - www.P65Warnings.ca.gov

Zurn Industries, LLC | Specification Drainage Operation
1801 Pittsburgh Avenue, Erie, PA 16502, Ph. 855.663.9876

In Canada | Zurn Industries Limited
7900 Goreway Drive, Unit 10, Brampton, Ontario L6T 5W6, Ph. 877.892.5216

www.zurn.com

Rev. AV
Date: 05/20/25
C.N. No. 146570
Patent zurn.com/patents
Prod. | Dwg. No. FT641

Page 24 of 73

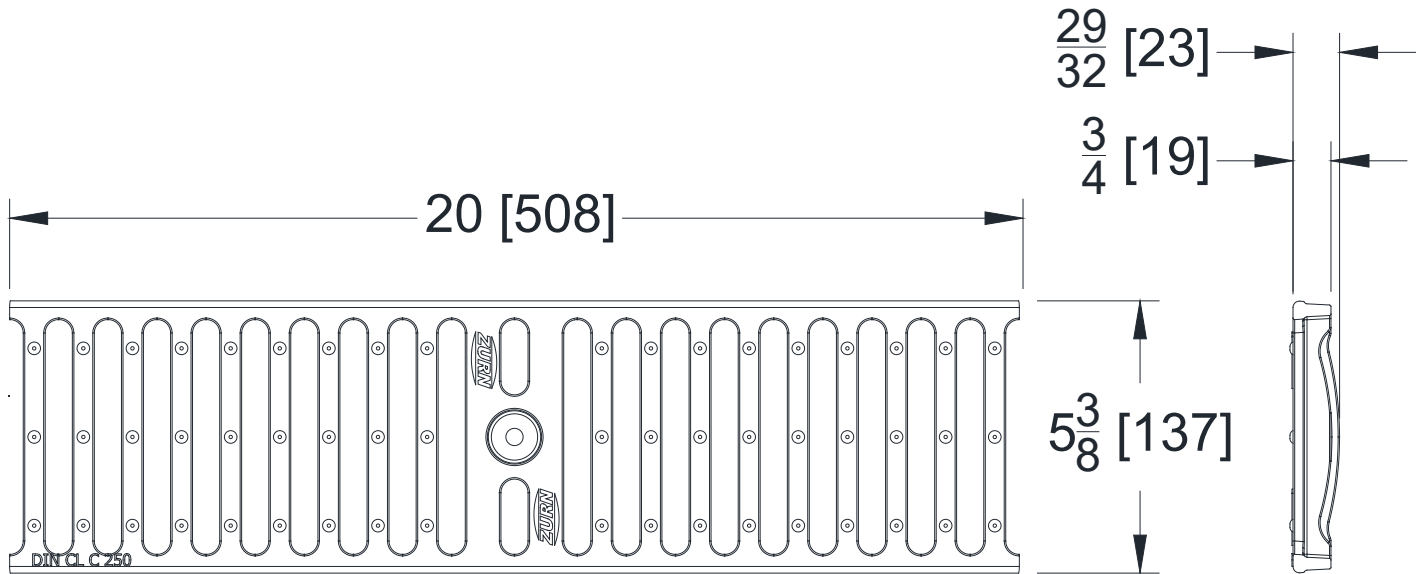


P6-GDC
6 [152] WIDE GRATE

Design and Dimensional Data (inches and [mm]) are Subject to Manufacturing Tolerances and Change Without Notice

[Back to Index](#)

Please Check ✓	Item No.	Part Number	Item I.D.
___	24	94472	P6-GDC



ENGINEERING SPECIFICATION: ZURN P6-GDC

20" [508mm] X 5-3/8" [137mm] Galvanized ductile Iron slotted grate weighing 4.5 lbs per linear foot [6.6kg/m]. The grate has an open area of 28.2 in² per linear foot [594cm²/m]. Grate conforms to DIN rating of C, ANSI rating of Heavy-Duty, H-20 load rating, and ASTM A536 Grade 80-55-06. Galvanized (hot dip) conforms to ASTM A123.

GDC - Slotted Grate	
Material:	Galvanized Ductile Iron
DIN Rating:	Class C
Weight:	4.5 lbs/ft [6.6 kg/m]
Open Area:	28.1 in ² /ft [594 cm ² /m]
ANSI Rating:	Heavy-Duty
Application:	Vehicle Traffic
Slot Width/Hole Size:	1/2" [12.7 mm]
ADA:	No
H-20:	Yes
FAA:	No

⚠ WARNING: Cancer and Reproductive Harm - www.P65Warnings.ca.gov

⚠ ADVERTENCIA: Cáncer y daño reproductivo - www.P65Warnings.ca.gov

⚠ AVERTISSEMENT: Cancer et effets néfastes sur la reproduction - www.P65Warnings.ca.gov

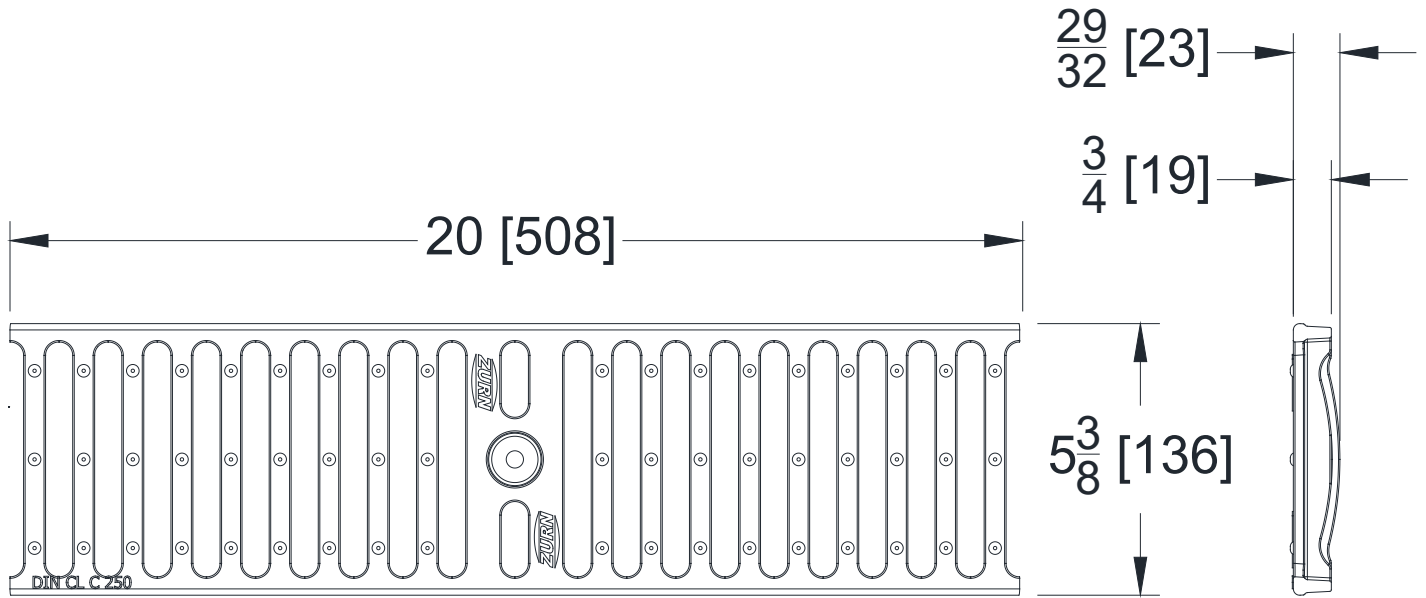


P6-GDC-USA
6 [152] WIDE DOMESTIC GRATE

Design and Dimensional Data (inches and [mm]) are Subject to Manufacturing Tolerances and Change Without Notice

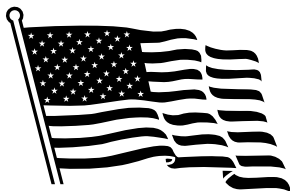
[Back to Index](#)

Please Check ✓	Item No.	Part Number	Item I.D.
—	25	94472	P6-GDC-USA



ENGINEERING SPECIFICATION: ZURN P6-GDC-USA

20" [508mm] X 5-3/8" [137mm] Galvanized ductile Iron slotted grate weighing 4.5 lbs per linear foot [6.6kg/m]. The grate has an open area of 28.2 in² per linear foot [594cm²/m]. Grate conforms to DIN rating of C, ANSI rating of Heavy-Duty, H-20 load rated and ASTM A536 Grade 80-55-06. Galvanized (hot dip) conforms to ASTM A123.



MADE IN THE USA

GDC-USA - Slotted Grate	
Material:	Galvanized Ductile Iron
DIN Rating:	Class C
Weight:	4.5 lbs/ft [6.6 kg/m]
Open Area:	28.1 in ² /ft [594 cm ² /m]
ANSI Rating:	Heavy-Duty
Application:	Vehicle Traffic
Slot Width/Hole Size:	1/2" [12.7 mm]
ADA:	No
H-20:	Yes
FAA:	No

⚠ WARNING: Cancer and Reproductive Harm - www.P65Warnings.ca.gov

⚠ ADVERTENCIA: Cáncer y daño reproductivo - www.P65Warnings.ca.gov

⚠ AVERTISSEMENT: Cancer et effets néfastes sur la reproduction - www.P65Warnings.ca.gov

Zurn Industries, LLC | Specification Drainage Operation
1801 Pittsburgh Avenue, Erie, PA 16502, Ph. 855.663.9876

In Canada | Zurn Industries Limited
7900 Goreway Drive, Unit 10, Brampton, Ontario L6T 5W6, Ph. 877.892.5216

www.zurn.com

Rev. AV
Date: 05/20/25
C.N. No. 146570
Patent zurn.com/patents
Prod. | Dwg. No. FT641

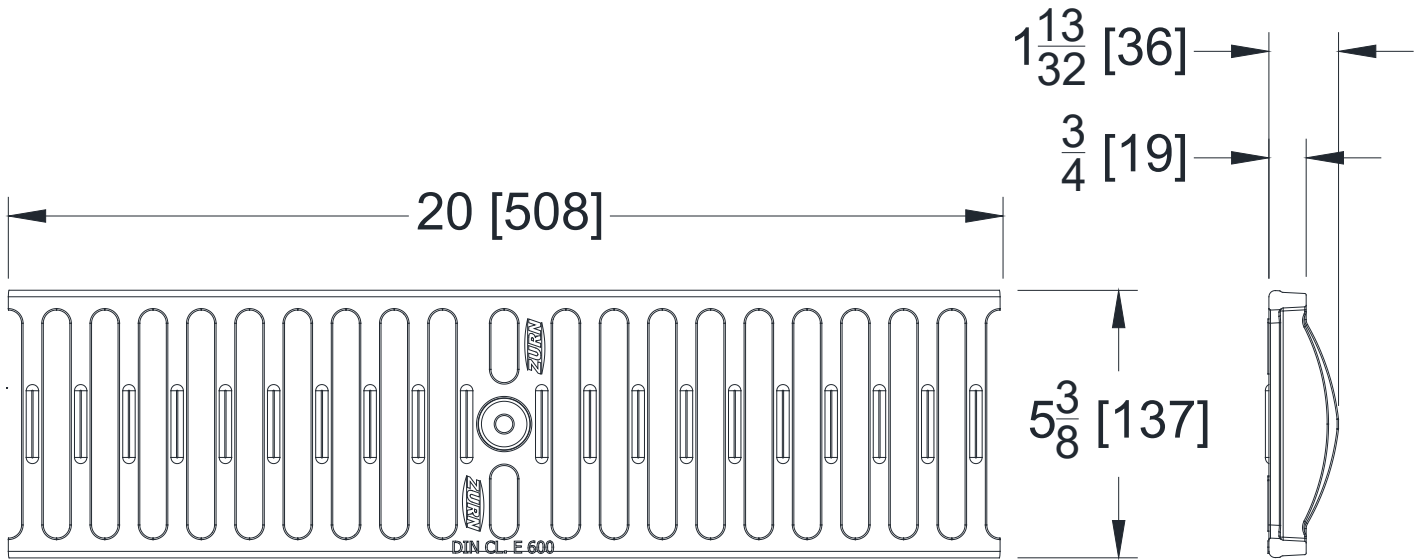


P6-GDE
6 [152] WIDE GRATE

Design and Dimensional Data (inches and [mm]) are Subject to Manufacturing Tolerances and Change Without Notice

[Back to Index](#)

Please Check ✓	Item No.	Part Number	Item I.D.
___	26	94473	P6-GDE



ENGINEERING SPECIFICATION: ZURN P6-GDE

20" [508mm] X 5-3/8" [137mm] Galvanized ductile Iron slotted grate weighing 6.4 lbs per linear foot [9.5kg/m]. The grate has an open area of 28.2 in² per linear foot [597cm²/m]. Grate conforms to DIN rating of E, ANSI rating of Special-Duty, H-20 and FAA load rated and ASTM A536 Grade 80-55-06. Galvanized (hot dip) conforms to ASTM A123.

GDE - Slotted Grate	
Material:	Galvanized Ductile Iron
DIN Rating:	Class E
Weight:	6.4 lbs/ft [9.5 kg/m]
Open Area:	28.2 in ² /ft [597 cm ² /m]
ANSI Rating:	Special-Duty
Application:	Dynamic Load
Slot Width/Hole Size:	1/2" [12.7 mm]
ADA:	No
H-20:	Yes
FAA:	Yes

⚠ WARNING: Cancer and Reproductive Harm - www.P65Warnings.ca.gov

⚠ ADVERTENCIA: Cáncer y daño reproductivo - www.P65Warnings.ca.gov

⚠ AVERTISSEMENT: Cancer et effets néfastes sur la reproduction - www.P65Warnings.ca.gov

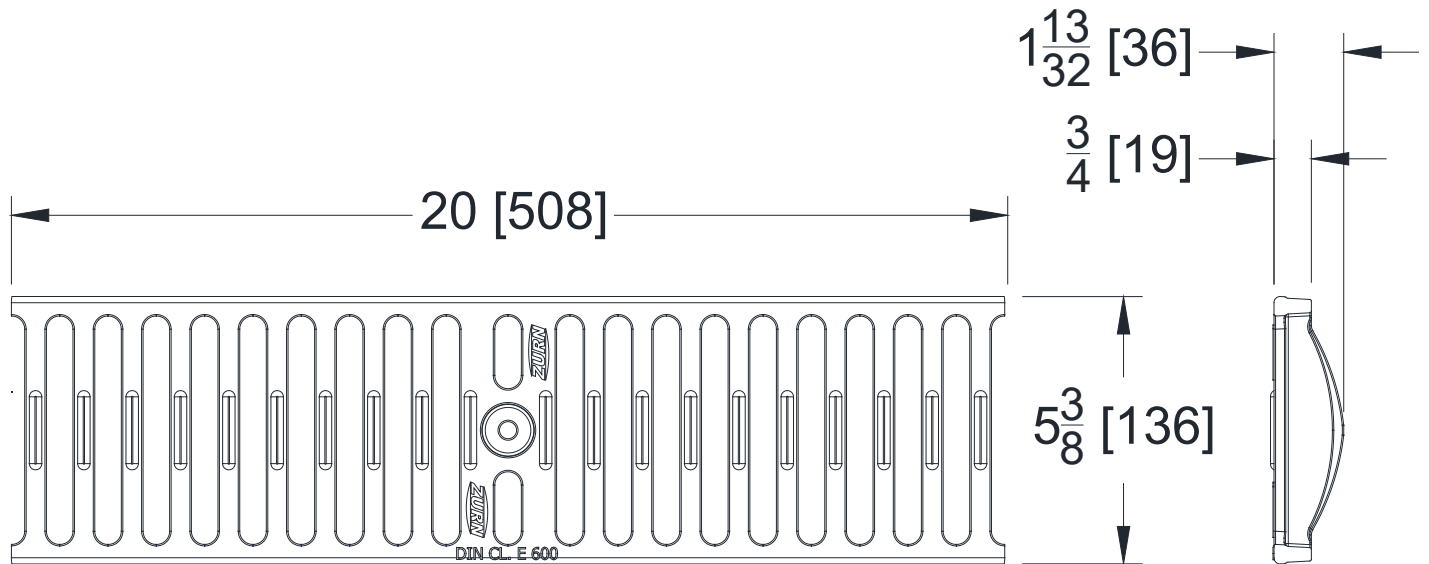


P6-GDE-USA
6 [152] WIDE DOMESTIC GRATE

Design and Dimensional Data (inches and [mm]) are Subject to Manufacturing Tolerances and Change Without Notice

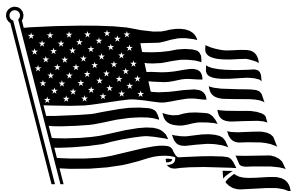
[Back to Index](#)

Please Check ✓	Item No.	Part Number	Item I.D.
—	27	94473	P6-GDE-USA



ENGINEERING SPECIFICATION: ZURN P6-GDE-USA

20" [508mm] X 5-3/8" [137mm] Galvanized ductile Iron slotted grate weighing 6.4 lbs per linear foot [9.5kg/m]. The grate has an open area of 28.2 in² per linear foot [597cm²/m]. Grate conforms to DIN rating of E, ANSI rating of Special-Duty, H-20 and FAA load rated, and ASTM A536 Grade 80-55-06. Galvanized (hot dip) conforms to ASTM A123.



MADE IN THE USA

GDE-USA - Slotted Grate	
Material:	Galvanized Ductile Iron
DIN Rating:	Class E
Weight:	6.4 lbs/ft [9.5 kg/m]
Open Area:	28.2 in ² /ft [597 cm ² /m]
ANSI Rating:	Special-Duty
Application:	Dynamic Load
Slot Width/Hole Size:	1/2" [12.7 mm]
ADA:	No
H-20:	Yes
FAA:	Yes

⚠ WARNING: Cancer and Reproductive Harm - www.P65Warnings.ca.gov

⚠ ADVERTENCIA: Cáncer y daño reproductivo - www.P65Warnings.ca.gov

⚠ AVERTISSEMENT: Cancer et effets néfastes sur la reproduction - www.P65Warnings.ca.gov

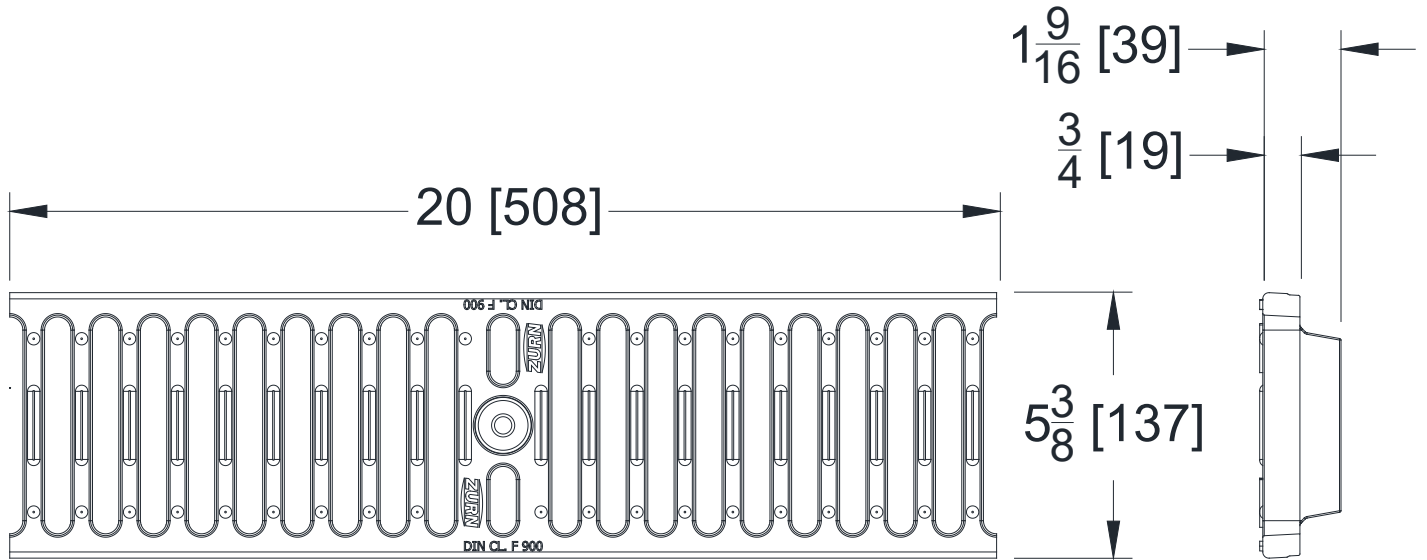


P6-GDF
6 [152] WIDE GRATE

Design and Dimensional Data (inches and [mm]) are Subject to Manufacturing Tolerances and Change Without Notice

[Back to Index](#)

Please Check ✓	Item No.	Part Number	Item I.D.
___	28	331657	P6-GDF



ENGINEERING SPECIFICATION: ZURN P6-GDF

20" [508mm] X 5-3/8" [137mm] Galvanized Ductile Iron slotted grate weighing 9.4 lbs/ft [14.0 kg/m]. The grate has an open area of 31.0 in²/ft [656.2 cm²/m]. Grate conforms to DIN rating of F, ANSI rating of Special-Duty, H-20 load rated, FAA load rated and ASTM A536 Grade 80-55-06. Galvanized (hot dip) conforms to ASTM A123.

GDF - Slotted Grate	
Material:	Galvanized Ductile Iron
DIN Rating:	Class F
Weight:	9.4 lbs/ft [14.0 kg/m]
Open Area:	31.0 in ² /ft [656 cm ² /m]
ANSI Rating:	Special-Duty
Application:	Dynamic Load
Slot Width/Hole Size:	1/2" [12.7 mm]
ADA:	No
H-20:	Yes
FAA:	Yes

- ⚠ WARNING:** Cancer and Reproductive Harm - www.P65Warnings.ca.gov
- ⚠ ADVERTENCIA:** Cáncer y daño reproductivo - www.P65Warnings.ca.gov
- ⚠ AVERTISSEMENT:** Cancer et effets néfastes sur la reproduction - www.P65Warnings.ca.gov

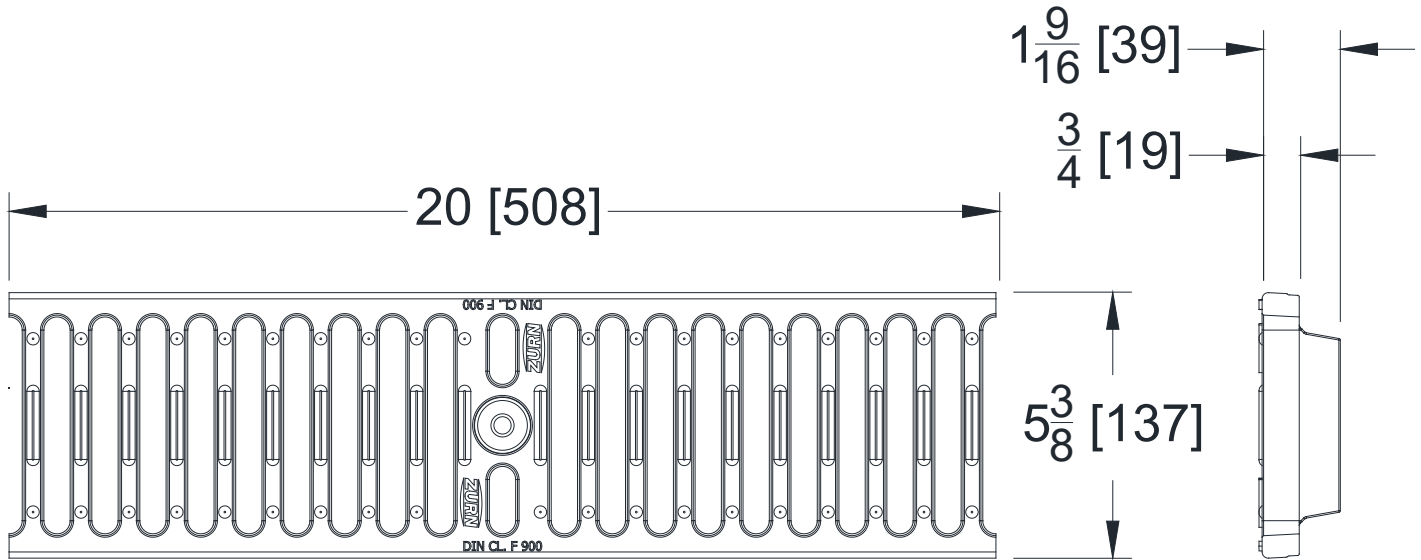


P6-GDF-USA
6 [152] WIDE DOMESTIC GRATE

Design and Dimensional Data (inches and [mm]) are Subject to Manufacturing Tolerances and Change Without Notice

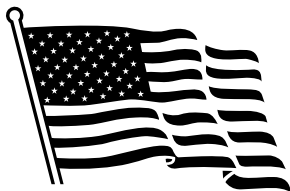
[Back to Index](#)

Please Check ✓	Item No.	Part Number	Item I.D.
___	29	331657	P6-GDF-USA



ENGINEERING SPECIFICATION: ZURN P6-GDF-USA

20" [508mm] X 5-3/8" [137mm] Galvanized Ductile Iron slotted grate weighing 9.4 lbs/ft [14.0 kg/m]. The grate has an open area of 31.0 in²/ft [656.2 cm²/m]. Grate conforms to DIN rating of F, ANSI rating of Special-Duty, H-20 load rated, FAA load rated and ASTM A536 Grade 80-55-06. Galvanized (hot dip) conforms to ASTM A123.



MADE IN THE USA

GDF-USA - Slotted Grate	
Material:	Galvanized Ductile Iron
DIN Rating:	Class F
Weight:	9.4 lbs/ft [14.0 kg/m]
Open Area:	31.0 in ² /ft [656 cm ² /m]
ANSI Rating:	Special-Duty
Application:	Dynamic Load
Slot Width/Hole Size:	1/2" [12.7 mm]
ADA:	No
H-20:	Yes
FAA:	Yes

⚠ WARNING: Cancer and Reproductive Harm - www.P65Warnings.ca.gov

⚠ ADVERTENCIA: Cáncer y daño reproductivo - www.P65Warnings.ca.gov

⚠ AVERTISSEMENT: Cancer et effets néfastes sur la reproduction - www.P65Warnings.ca.gov

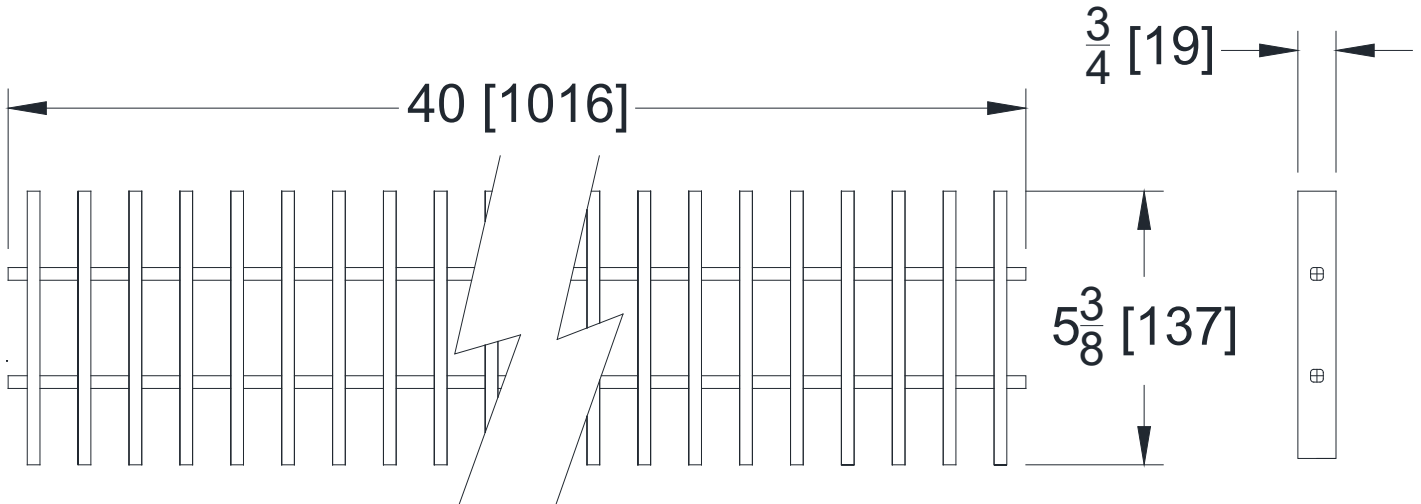


P6-GG
6 [152] WIDE GRATE

Design and Dimensional Data (inches and [mm]) are Subject to Manufacturing Tolerances and Change Without Notice

[Back to Index](#)

Please Check ✓	Item No.	Part Number	Item I.D.
—	30	56995	P6-GG



ENGINEERING SPECIFICATION: ZURN P6-GG

40" [1016mm] X 5-3/8" [137mm] Vinylester fiberglass slotted grate weighing .98 lbs per linear foot [1.4kg/m]. The grate has an open area of 41.6 in² per linear foot [879cm²/m]. Grate conforms to DIN rating of A, ANSI rating of Light-Duty, slip resistant surface and interplastic CORVE8300, or Reichhold DION or equivalent.

GG - Slotted Grate	
Material:	Vinylester Fiberglass
DIN Rating:	Class A
Weight:	.98 lbs/ft [1.4 kg/m]
Open Area:	41.6 in ² /ft [879 cm ² /m]
ANSI Rating:	Light-Duty
Application:	Chemical App. Pedestrian
Slot Width/Hole Size:	3/4" [19 mm]
ADA:	No
H-20:	No
FAA:	No

⚠ WARNING: Cancer and Reproductive Harm - www.P65Warnings.ca.gov

⚠ ADVERTENCIA: Cáncer y daño reproductivo - www.P65Warnings.ca.gov

⚠ AVERTISSEMENT: Cancer et effets néfastes sur la reproduction - www.P65Warnings.ca.gov

Zurn Industries, LLC | Specification Drainage Operation
1801 Pittsburgh Avenue, Erie, PA 16502, Ph. 855.663.9876

In Canada | Zurn Industries Limited
7900 Goreway Drive, Unit 10, Brampton, Ontario L6T 5W6, Ph. 877.892.5216

www.zurn.com

Rev. AV
Date: 05/20/25
C.N. No. 146570
Patent zurn.com/patents
Prod. | Dwg. No. FT641

Page 31 of 73

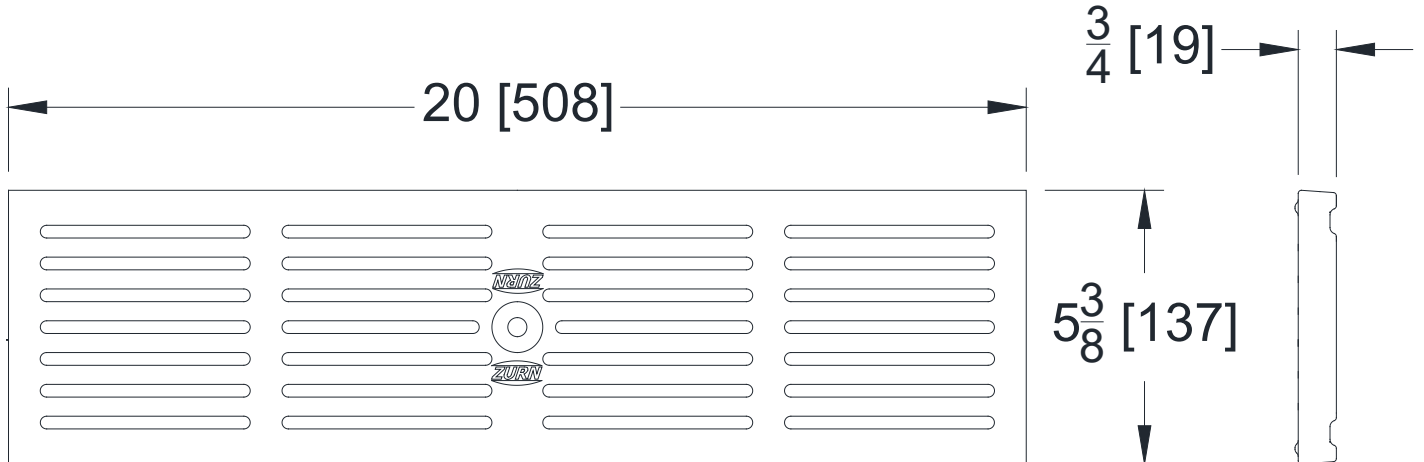


P6-GHPD
6 [152] WIDE GRATE

Design and Dimensional Data (inches and [mm]) are Subject to Manufacturing Tolerances and Change Without Notice

[Back to Index](#)

Please Check ✓	Item No.	Part Number	Item I.D.
___	31	58524	P6-GHPD



ENGINEERING SPECIFICATION: ZURN P6-GHPD

20" [508mm] X 5-3/8" [137mm] Galvanized ductile Iron heel-proof slotted grate weighing 6.3 lbs per linear foot [9.5kg/m]. The grate has an open area of 17.0 in² per linear foot [361cm²/m]. Grate conforms to DIN rating of B, ANSI rating of Medium-Duty, ADA compliant* and ASTM A536 Grade 80-55-06. Galvanized (hot dip) conforms to ASTM A123.

GHPD - Heel-Proof Slotted	
Material:	Galvanized Ductile Iron
DIN Rating:	Class B
Weight:	6.3 lbs/ft [9.5 kg/m]
Open Area:	17.0 in ² /ft [361 cm ² /m]
ANSI Rating:	Medium-Duty
Application:	Heel-Proof
Slot Width/Hole Size:	1/4" [6.4mm]
ADA:	Yes*
H-20:	No
FAA:	No

* Elongated openings must be placed perpendicular to the dominant direction of travel.

⚠ WARNING: Cancer and Reproductive Harm - www.P65Warnings.ca.gov

⚠ ADVERTENCIA: Cáncer y daño reproductivo - www.P65Warnings.ca.gov

⚠ AVERTISSEMENT: Cancer et effets néfastes sur la reproduction - www.P65Warnings.ca.gov

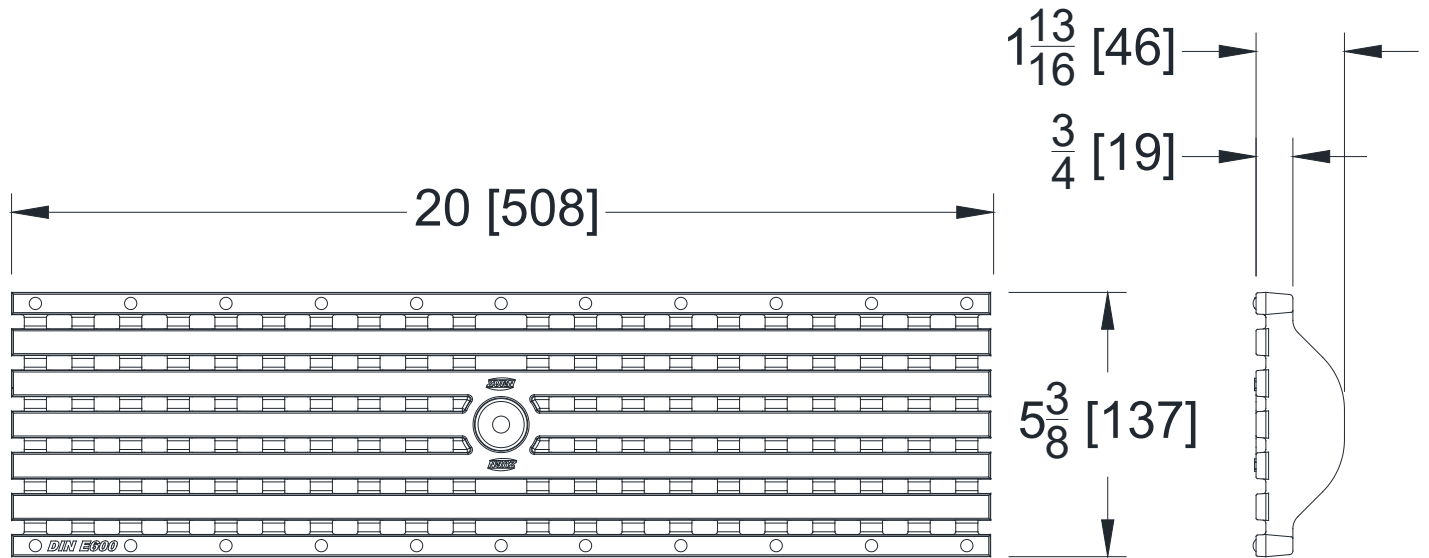


P6-GHPDE
6 [152] WIDE GRATE

Design and Dimensional Data (inches and [mm]) are Subject to Manufacturing Tolerances and Change Without Notice

[Back to Index](#)

Please Check ✓	Item No.	Part Number	Item I.D.
___	32	94454	P6-GHPDE



ENGINEERING SPECIFICATION: ZURN P6-GHPDE

20" [508mm] X 5-3/8" [137mm] Galvanized ductile Iron heel-proof slotted grate weighing 9.5 lbs per linear foot [14.1kg/m]. The grate has an open area of 10.9 in² per linear foot [235cm²/m]. Grate conforms to DIN rating of E, ANSI rating of Special-Duty, ADA compliant, H-20 and FAA load rated, and ASTM A536 Grade 80-55-06. Galvanized (hot dip) conforms to ASTM A123.

GHPDE - Heel-Proof Slotted	
Material:	Galvanized Ductile Iron
DIN Rating:	Class E
Weight:	9.5 lbs/ft [14.1 kg/m]
Open Area:	10.9 in ² /ft [235 cm ² /m]
ANSI Rating:	Special-Duty
Application:	Heel-Proof, Forklifts, Commercial Aircraft
Slot Width/Hole Size:	5/16" [8 mm]
ADA:	Yes
H-20:	Yes
FAA:	Yes

⚠ WARNING: Cancer and Reproductive Harm - www.P65Warnings.ca.gov

⚠ ADVERTENCIA: Cáncer y daño reproductivo - www.P65Warnings.ca.gov

⚠ AVERTISSEMENT: Cancer et effets néfastes sur la reproduction - www.P65Warnings.ca.gov

Zurn Industries, LLC | Specification Drainage Operation
1801 Pittsburgh Avenue, Erie, PA 16502, Ph. 855.663.9876

In Canada | Zurn Industries Limited
7900 Goreway Drive, Unit 10, Brampton, Ontario L6T 5W6, Ph. 877.892.5216

www.zurn.com

Rev. AV
Date: 05/20/25
C.N. No. 146570
Patent zurn.com/patents
Prod. | Dwg. No. FT641

Page 33 of 73

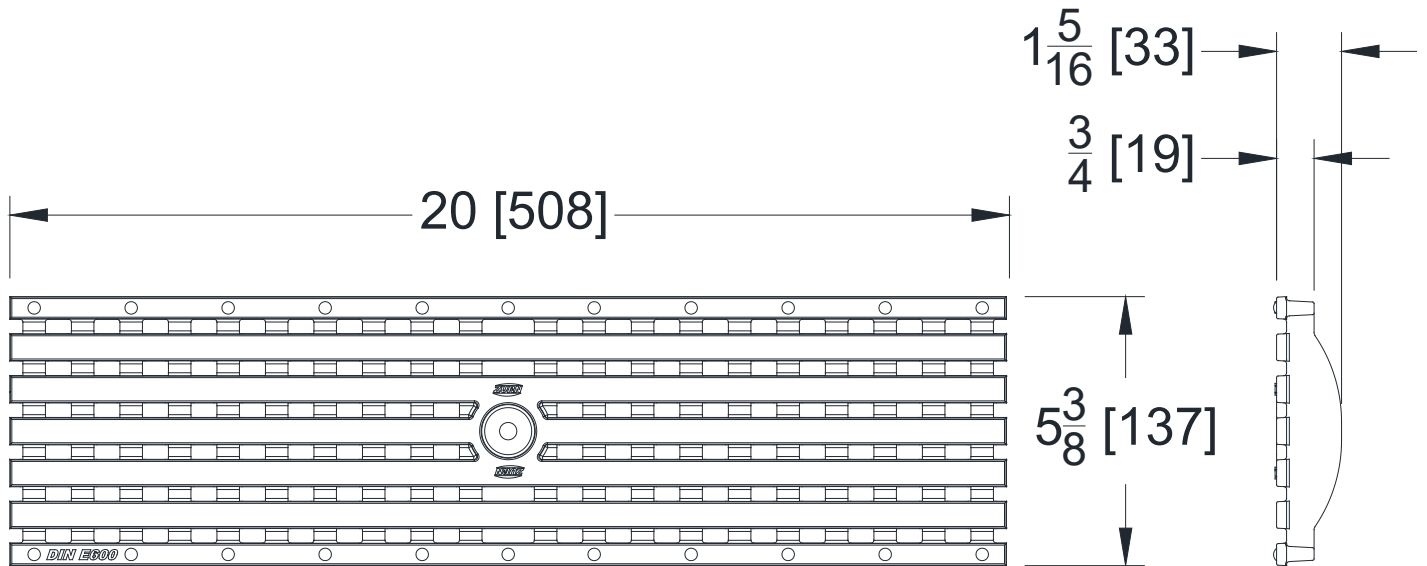


P6-GHPDE-USA
6 [152] WIDE DOMESTIC GRATE

Design and Dimensional Data (inches and [mm]) are Subject to Manufacturing Tolerances and Change Without Notice

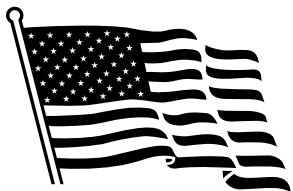
[Back to Index](#)

Please Check ✓	Item No.	Part Number	Item I.D.
___	33	94454	P6-GHPDE-USA



ENGINEERING SPECIFICATION: ZURN P6-GHPDE-USA

20" [508mm] X 5-3/8" [137mm] Galvanized ductile Iron heel-proof slotted grate weighing 9.5 lbs per linear foot [14.1kg/m]. The grate has an open area of 10.9in² per linear foot [235cm²/m]. Grate conforms to DIN rating of E, ANSI rating of Special-Duty, ADA compliant, H-20 and FAA load rated, and ASTM A536 Grade 80-55-06. Galvanized (hot dip) conforms to ASTM A123..



MADE IN THE USA

GHPDE-USA - Heel-Proof Slotted	
Material:	Galvanized Ductile Iron
DIN Rating:	Class E
Weight:	9.5 lbs/ft [14.1 kg/m]
Open Area:	10.9 in ² /ft [235 cm ² /m]
ANSI Rating:	Special-Duty
Application:	Heel-Proof, Forklift, Commercial Aircraft
Slot Width/Hole Size:	5/16" [8 mm]
ADA:	Yes
H-20:	Yes
FAA:	Yes

⚠ WARNING: Cancer and Reproductive Harm - www.P65Warnings.ca.gov

⚠ ADVERTENCIA: Cáncer y daño reproductivo - www.P65Warnings.ca.gov

⚠ AVERTISSEMENT: Cancer et effets néfastes sur la reproduction - www.P65Warnings.ca.gov



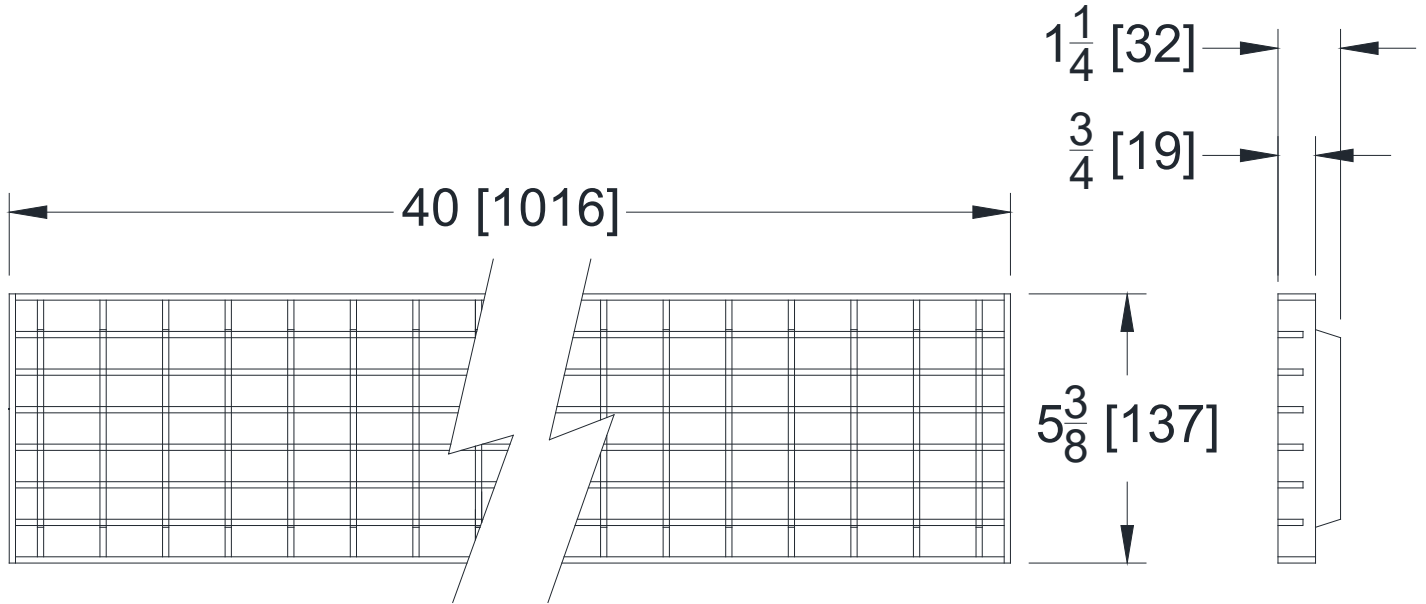
P6-GMG

6 [152] WIDE DECORATIVE GRATE

Design and Dimensional Data (inches and [mm]) are Subject to Manufacturing Tolerances and Change Without Notice

[Back to Index](#)

Please Check ✓	Item No.	Part Number	Item I.D.
___	34	64249	P6-GMG



ENGINEERING SPECIFICATION: ZURN P6-GMG

40" [1016mm] X 5-3/8" [137mm] Galvanized mesh screen grate weighing 3.8 lbs per linear foot [5.6kg/m]. The grate has an open area of 47.0 in² per linear foot [994cm²/m]. Grate conforms to DIN rating of B, ANSI rating of Medium-Duty and ASTM A27 Grade 70-36. Galvanizing conforms to ASTM specification A525-87.

GMG - Mesh Screen	
Material:	Galvanized Steel
DIN Rating:	Class B
Weight:	3.8 lbs/ft [5.6 kg/m]
Open Area:	47.0 in ² /ft [994 cm ² /m]
ANSI Rating:	Medium-Duty
Application:	Sidewalks, Light Traffic
Slot Width/Hole Size:	1-1/8" [28.6 mm]
ADA:	No
H-20:	No
FAA:	No

⚠ WARNING: Cancer and Reproductive Harm - www.P65Warnings.ca.gov

⚠ ADVERTENCIA: Cáncer y daño reproductivo - www.P65Warnings.ca.gov

⚠ AVERTISSEMENT: Cancer et effets néfastes sur la reproduction - www.P65Warnings.ca.gov

Zurn Industries, LLC | Specification Drainage Operation
1801 Pittsburgh Avenue, Erie, PA 16502, Ph. 855.663.9876

In Canada | Zurn Industries Limited
7900 Goreway Drive, Unit 10, Brampton, Ontario L6T 5W6, Ph. 877.892.5216

www.zurn.com

Rev. AV
Date: 05/20/25
C.N. No. 146570
Patent zurn.com/patents
Prod. | Dwg. No. FT641

Page 35 of 73

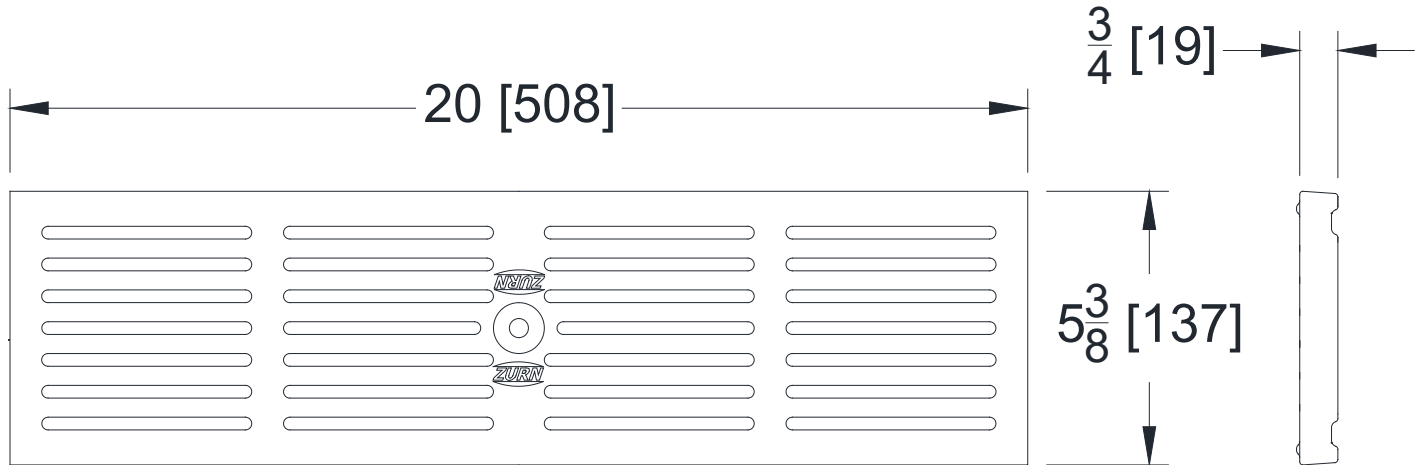


P6-HPB
6 [152] WIDE DECORATIVE GRATE

Design and Dimensional Data (inches and [mm]) are Subject to Manufacturing Tolerances and Change Without Notice

[Back to Index](#)

Please Check ✓	Item No.	Part Number	Item I.D.
___	35	58524	P6-HPB



ENGINEERING SPECIFICATION: ZURN P6-HPB

20" [508mm] X 5-3/8" [137mm] Ductile Iron heel-proof slotted grate weighing 6.3 lbs per linear foot [9.5kg/m]. The grate has an open area of 17.0 in² per linear foot [361cm²/m]. Grate conforms to DIN rating of B, ANSI rating of Medium-Duty, ADA compliant* and ASTM A536 Grade 80-55-06.

HPB - Heel-Proof Slotted	
Material:	Bronze
DIN Rating:	Class A
Weight:	7.8 lbs/ft [11.5 kg/m]
Open Area:	17.0 in ² /ft [361 cm ² /m]
ANSI Rating:	Light-Duty
Application:	Heel-roof, Pedestrian
Slot Width/Hole Size:	1/4" [6.4 mm]
ADA:	Yes*
H-20:	No
FAA:	No

* Elongated openings must be places perpendicular to the dominant direction of travel.

⚠ WARNING: Cancer and Reproductive Harm - www.P65Warnings.ca.gov

⚠ ADVERTENCIA: Cáncer y daño reproductivo - www.P65Warnings.ca.gov

⚠ AVERTISSEMENT: Cancer et effets néfastes sur la reproduction - www.P65Warnings.ca.gov

Zurn Industries, LLC | Specification Drainage Operation
1801 Pittsburgh Avenue, Erie, PA 16502, Ph. 855.663.9876

In Canada | Zurn Industries Limited
7900 Goreway Drive, Unit 10, Brampton, Ontario L6T 5W6, Ph. 877.892.5216

www.zurn.com

Rev. AV
Date: 05/20/25
C.N. No. 146570
Patent zurn.com/patents
Prod. | Dwg. No. FT641

Page 36 of 73

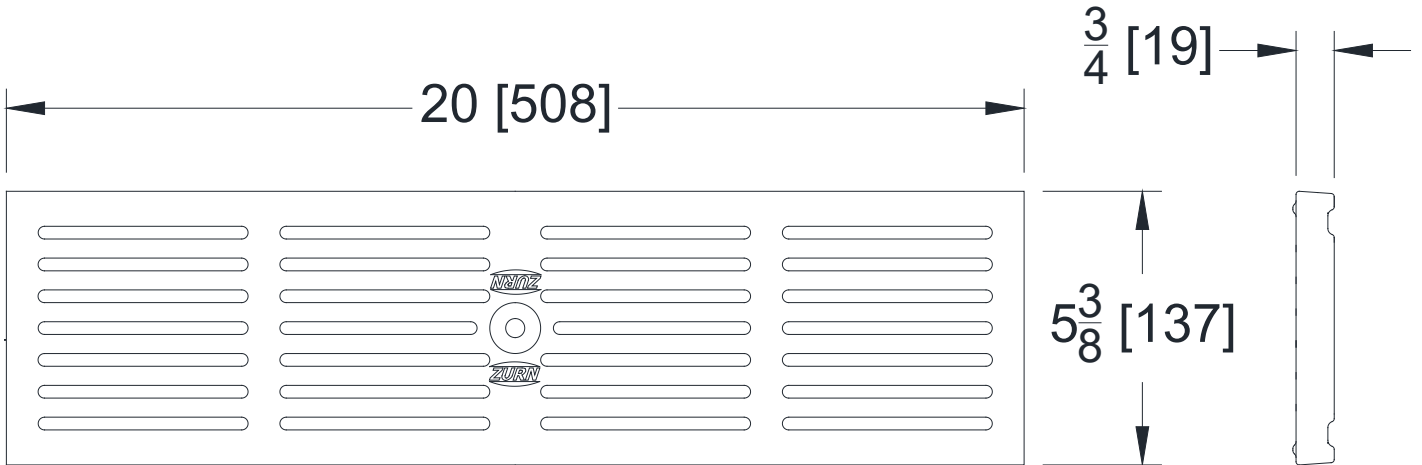


P6-HPD
6 [152] WIDE DECORATIVE GRATE

Design and Dimensional Data (inches and [mm]) are Subject to Manufacturing Tolerances and Change Without Notice

[Back to Index](#)

Please Check ✓	Item No.	Part Number	Item I.D.
___	36	58524	P6-HPD



ENGINEERING SPECIFICATION: ZURN P6-HPD

20" [508mm] X 5-3/8" [137mm] Ductile Iron heel-proof slotted grate weighing 6.3 lbs per linear foot [9.5kg/m]. The grate has an open area of 17.0 in² per linear foot [361cm²/m]. Grate conforms to DIN rating of B, ANSI rating of Medium-Duty, ADA compliant* and ASTM A536 Grade 80-55-06.

HPD - Heel-Proof Slotted	
Material:	Ductile Iron
DIN Rating:	Class B
Weight:	6.3 lbs/ft [9.5 kg/m]
Open Area:	17.0 in ² /ft [361 cm ² /m]
ANSI Rating:	Medium-Duty
Application:	Heel-Proof
Slot Width/Hole Size:	1/4" [6.4mm]
ADA:	Yes*
H-20:	No
FAA:	No

* Elongated openings must be placed perpendicular to the dominant direction of travel.

⚠ WARNING: Cancer and Reproductive Harm - www.P65Warnings.ca.gov

⚠ ADVERTENCIA: Cáncer y daño reproductivo - www.P65Warnings.ca.gov

⚠ AVERTISSEMENT: Cancer et effets néfastes sur la reproduction - www.P65Warnings.ca.gov

Zurn Industries, LLC | Specification Drainage Operation
1801 Pittsburgh Avenue, Erie, PA 16502, Ph. 855.663.9876

In Canada | Zurn Industries Limited
7900 Goreway Drive, Unit 10, Brampton, Ontario L6T 5W6, Ph. 877.892.5216

www.zurn.com

Rev. AV
Date: 05/20/25
C.N. No. 146570
Patent zurn.com/patents
Prod. | Dwg. No. FT641

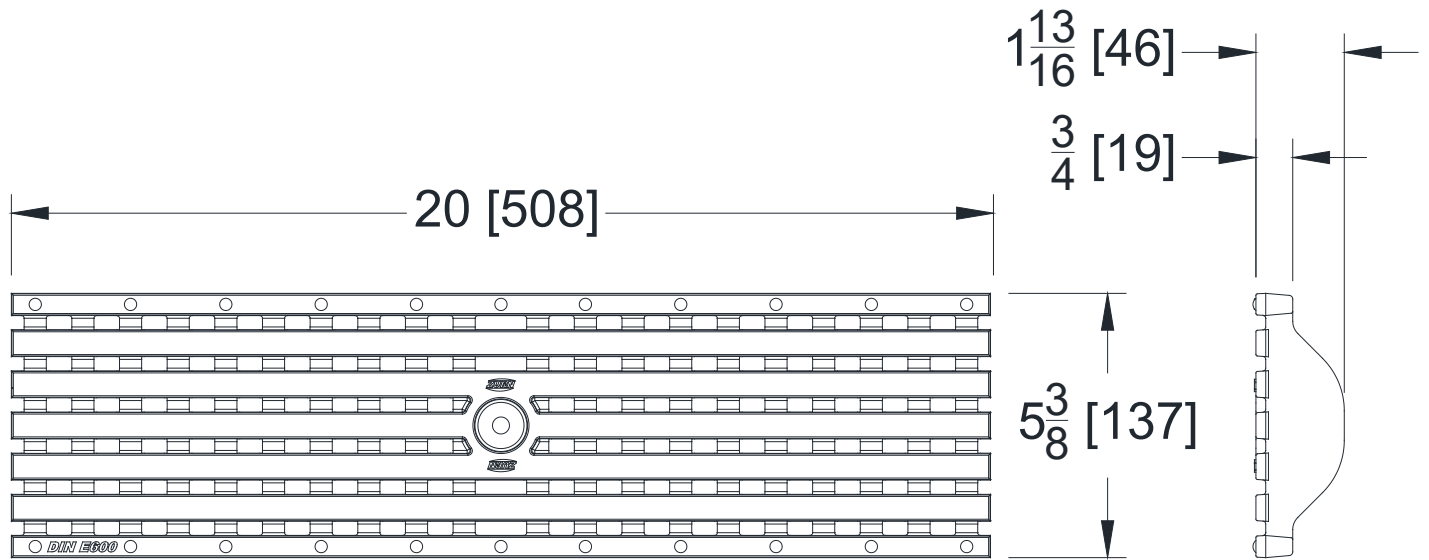


P6-HPDE
6 [152] WIDE GRATE

Design and Dimensional Data (inches and [mm]) are Subject to Manufacturing Tolerances and Change Without Notice

[Back to Index](#)

Please Check ✓	Item No.	Part Number	Item I.D.
___	37	94454	P6-HPDE



ENGINEERING SPECIFICATION: ZURN P6-HPDE

20" [508mm] X 5-3/8" [137mm] Ductile Iron heel-proof slotted grate weighing 9.5 lbs per linear foot [14.1kg/m]. The grate has an open area of 10.9 in² per linear foot [235cm²/m]. Grate conforms to DIN rating of E, ANSI rating of Special-Duty, ADA compliant, H-20 and FAA load rated, and ASTM A536 Grade 80-55-06.

HPDE - Heel-Proof Slotted	
Material:	Ductile Iron
DIN Rating:	Class E
Weight:	9.5 lbs/ft [14.1 kg/m]
Open Area:	10.9 in ² /ft [235 cm ² /m]
ANSI Rating:	Special-Duty
Application:	Heel-Proof, Forklifts, Commercial Aircraft
Slot Width/Hole Size:	5/16" [8 mm]
ADA:	Yes
H-20:	Yes
FAA:	Yes

⚠ WARNING: Cancer and Reproductive Harm - www.P65Warnings.ca.gov

⚠ ADVERTENCIA: Cáncer y daño reproductivo - www.P65Warnings.ca.gov

⚠ AVERTISSEMENT: Cancer et effets néfastes sur la reproduction - www.P65Warnings.ca.gov

Zurn Industries, LLC | Specification Drainage Operation
1801 Pittsburgh Avenue, Erie, PA 16502, Ph. 855.663.9876

In Canada | Zurn Industries Limited
7900 Goreway Drive, Unit 10, Brampton, Ontario L6T 5W6, Ph. 877.892.5216

www.zurn.com

Rev. AV
Date: 05/20/25
C.N. No. 146570
Patent zurn.com/patents
Prod. | Dwg. No. FT641

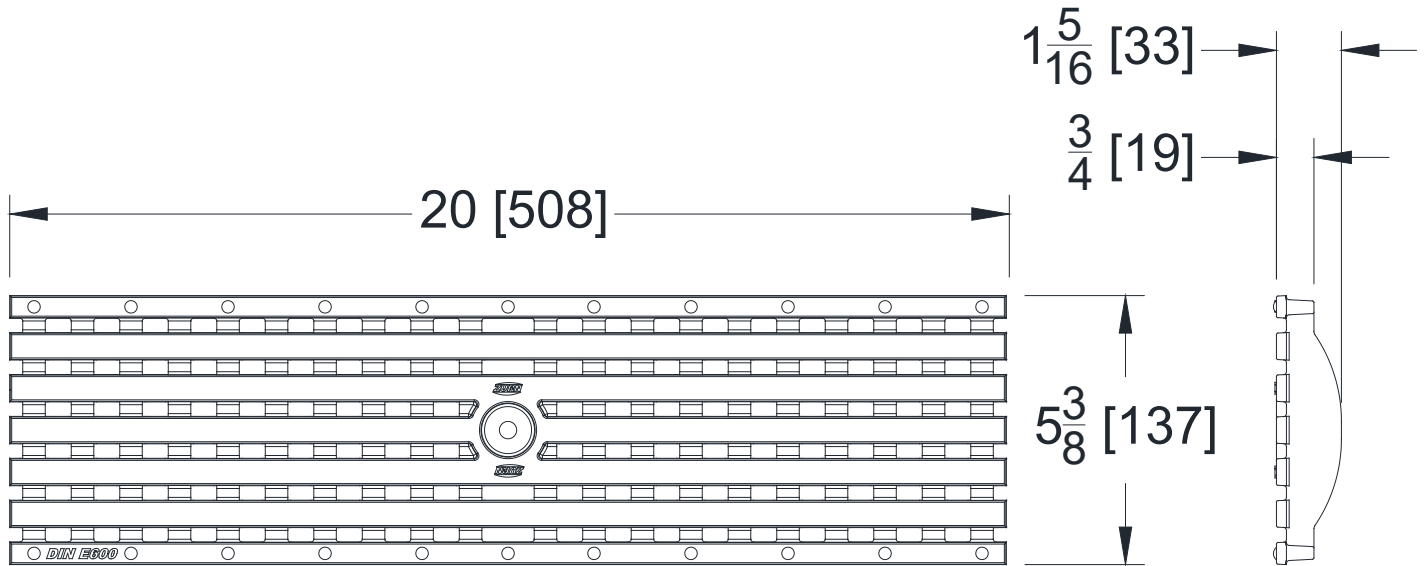


P6-HPDE-USA
6 [152] WIDE DOMESTIC GRATE

Design and Dimensional Data (inches and [mm]) are Subject to Manufacturing Tolerances and Change Without Notice

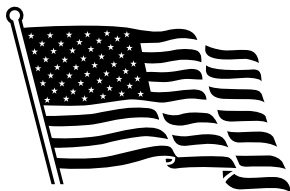
[Back to Index](#)

Please Check ✓	Item No.	Part Number	Item I.D.
___	38	64255	P6-BCD



ENGINEERING SPECIFICATION: ZURN P6-HPDE-USA

20" [508mm] X 5-3/8" [137mm] Ductile Iron heel-proof slotted grate weighing 9.5 lbs per linear foot [14.1kg/m]. The grate has an open area of 10.9 in² per linear foot [235cm²/m]. Grate conforms to DIN rating of E, ANSI rating of Special-Duty, ADA compliant, H-20 and FAA load rated, and ASTM A536 Grade 80-55-06.



MADE IN THE USA

HPDE-USA - Heel-Proof Slotted	
Material:	Ductile Iron
DIN Rating:	Class E
Weight:	9.5 lbs/ft [14.1 kg/m]
Open Area:	10.9 in ² /ft [235 cm ² /m]
ANSI Rating:	Special-Duty
Application:	Heel-Proof, Forklift, Commercial Aircraft
Slot Width/Hole Size:	5/16" [8 mm]
ADA:	Yes
H-20:	Yes
FAA:	Yes

⚠ WARNING: Cancer and Reproductive Harm - www.P65Warnings.ca.gov

⚠ ADVERTENCIA: Cáncer y daño reproductivo - www.P65Warnings.ca.gov

⚠ AVERTISSEMENT: Cancer et effets néfastes sur la reproduction - www.P65Warnings.ca.gov

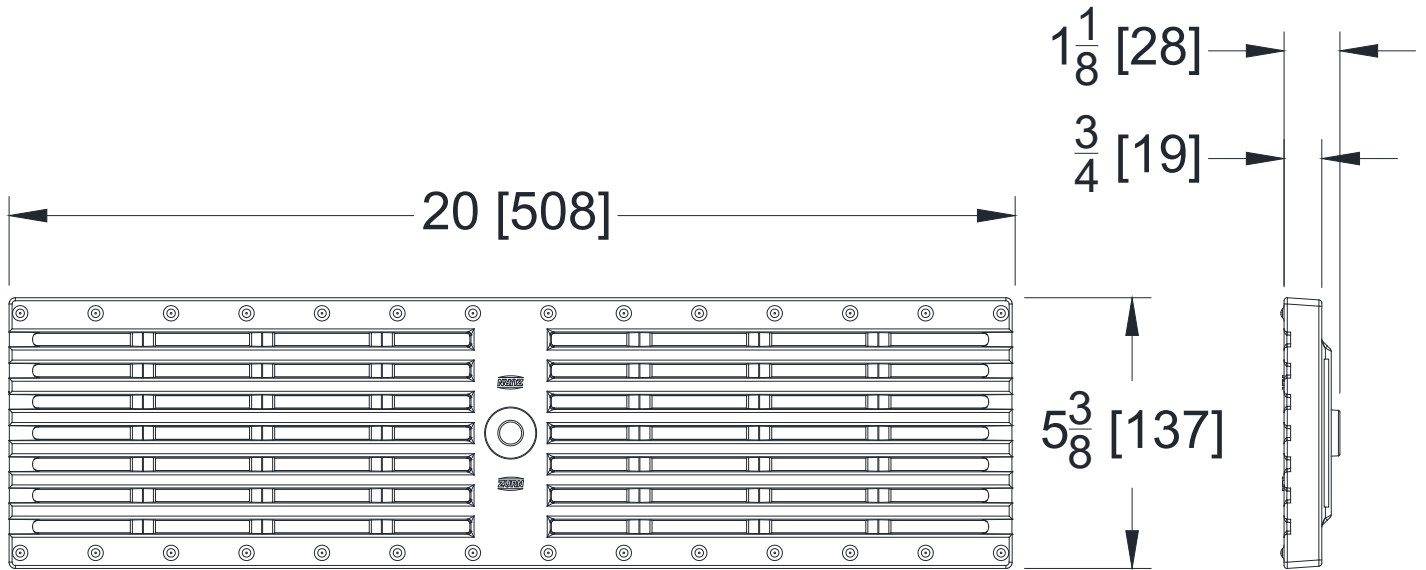


P6-HPP
6 [152] WIDE DECORATIVE GRATE

Design and Dimensional Data (inches and [mm]) are Subject to Manufacturing Tolerances and Change Without Notice

[Back to Index](#)

Please Check ✓	Item No.	Part Number	Item I.D.
___	39	94001	P6-HPP



ENGINEERING SPECIFICATION: ZURN P6-HPP

20" [508mm] X 5-3/8" [137mm] High Density Polyethylene (HDPE) heel-proof slotted grate weighing .9 lbs per linear foot [1.3kg/m]. The grate has an open area of 17.4 in² per linear foot [367cm²/m]. Grate conforms to DIN rating of A, ANSI rating of Light-Duty, ADA compliant*, and Densetec 100 HDPE or Approved Equivalent.

HPP - Heel-Proof Slotted	
Material:	HDPE
DIN Rating:	Class A
Weight:	.9 lbs/ft [1.3 kg/m]
Open Area:	17.4 in ² /ft [367 cm ² /m]
ANSI Rating:	Light-Duty
Application:	Heel-Proof, Pedestrian
Slot Width/Hole Size:	1/4" [6.4mm]
ADA:	Yes*
H-20:	No
FAA:	No

* Elongated openings must be placed perpendicular to the dominant direction of travel.

WARNING: Cancer and Reproductive Harm - www.P65Warnings.ca.gov

ADVERTENCIA: Cáncer y daño reproductivo - www.P65Warnings.ca.gov

AVERTISSEMENT: Cancer et effets néfastes sur la reproduction - www.P65Warnings.ca.gov

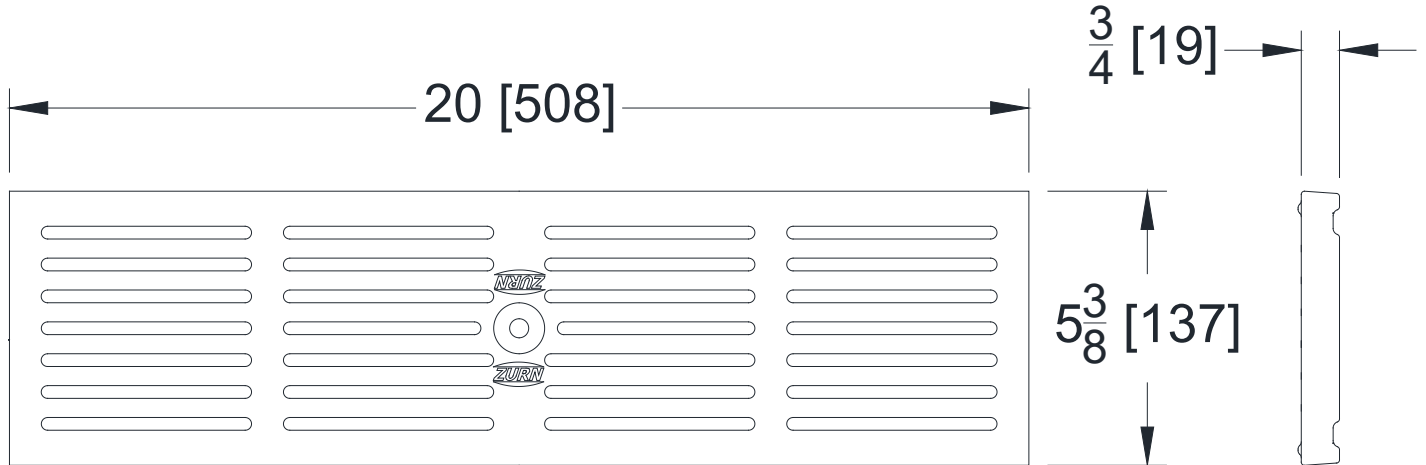


P6-HPS
6 [152] WIDE DECORATIVE GRATE

Design and Dimensional Data (inches and [mm]) are Subject to Manufacturing Tolerances and Change Without Notice

[Back to Index](#)

Please Check ✓	Item No.	Part Number	Item I.D.
___	40	58524	P6-HPS



ENGINEERING SPECIFICATION: ZURN P6-HPS

20" [508mm] X 5-3/8" [137mm] Stainless Steel heel-proof slotted grate weighing 7.1 lbs per linear foot [10.5kg/m]. The grate has an open area of 17.0 in² per linear foot [361 cm²/m]. Grate conforms to DIN rating of A, ANSI rating of Light-Duty, ADA compliant*, and ASTM A351 Grade CF8 (TYPE 304) and Grade CF8M (TYPE 316).

HPS - Heel-Proof Slotted	
Material:	Stainless Steel
DIN Rating:	Class A
Weight:	7.1 lbs/ft [10.5 kg/m]
Open Area:	17.0 in ² /ft [361 cm ² /m]
ANSI Rating:	Light-Duty
Application:	Heel-Proof, Pedestrian
Slot Width/Hole Size:	1/4" [6.4mm]
ADA:	Yes*
H-20:	No
FAA:	No

* Elongated openings must be placed perpendicular to the dominant direction of travel.

⚠ WARNING: Cancer and Reproductive Harm - www.P65Warnings.ca.gov

⚠ ADVERTENCIA: Cáncer y daño reproductivo - www.P65Warnings.ca.gov

⚠ AVERTISSEMENT: Cancer et effets néfastes sur la reproduction - www.P65Warnings.ca.gov

Zurn Industries, LLC | Specification Drainage Operation
1801 Pittsburgh Avenue, Erie, PA 16502, Ph. 855.663.9876

In Canada | Zurn Industries Limited
7900 Goreway Drive, Unit 10, Brampton, Ontario L6T 5W6, Ph. 877.892.5216

www.zurn.com

Rev. AV
Date: 05/20/25
C.N. No. 146570
Patent zurn.com/patents
Prod. | Dwg. No. FT641

Page 41 of 73

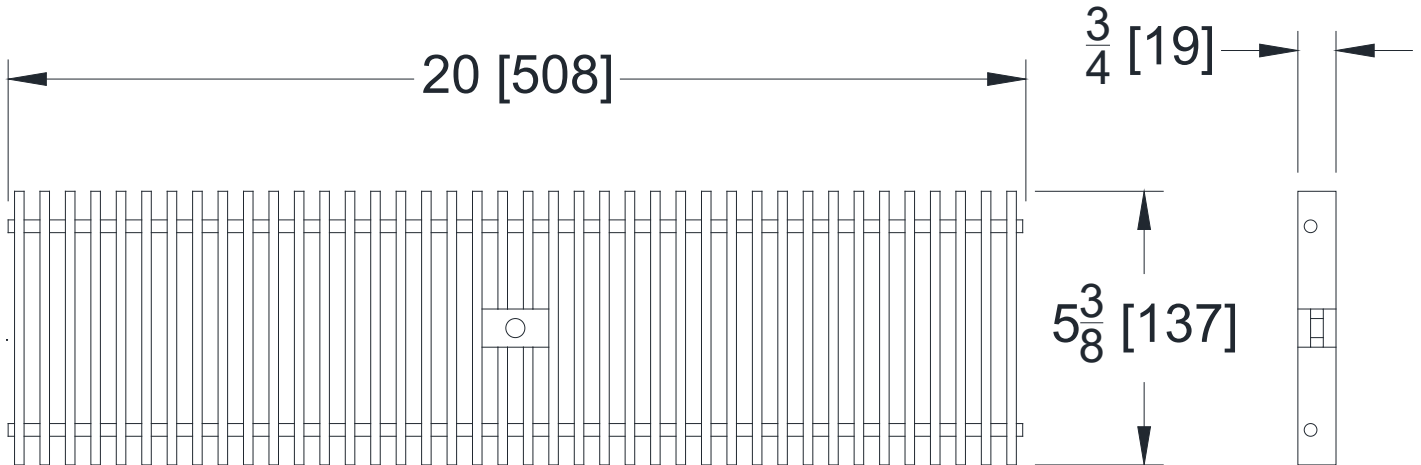


P6-HPSBG
6 [152] WIDE GRATE

Design and Dimensional Data (inches and [mm]) are Subject to Manufacturing Tolerances and Change Without Notice

[Back to Index](#)

Please Check ✓	Item No.	Part Number	Item I.D.
___	41	84489	P6-HPSBG



ENGINEERING SPECIFICATION: ZURN P6-HPSBG

20" [508mm] X 5-3/8" [137mm] Heel Proof, Stainless Steel Bar grate weighing 6.2 lbs per linear foot [9.2 kg/m]. The grate has an open area of 33.0 in²/ft per linear foot [689.5 cm²/m]. Grate conforms to DIN rating of B, ANSI rating of Medium-Duty, ADA compliant*. Stainless Steel conforms to ASTM A240 type 304 (316 by request).

HPSBG - Slotted Bar Grate	
Material:	Stainless Steel
DIN Rating:	Class B
Weight:	6.2 lbs/ft [9.2 kg/m]
Open Area:	33.0 in ² /ft [690 cm ² /m]
ANSI Rating:	Light-Duty
Application:	Heel-Proof
Slot Width/Hole Size:	5/16" [8 mm]
ADA:	Yes*
H-20:	No
FAA:	No

* Elongated openings must be placed perpendicular to the dominant direction of travel.

⚠ WARNING: Cancer and Reproductive Harm - www.P65Warnings.ca.gov

⚠ ADVERTENCIA: Cáncer y daño reproductivo - www.P65Warnings.ca.gov

⚠ AVERTISSEMENT: Cancer et effets néfastes sur la reproduction - www.P65Warnings.ca.gov

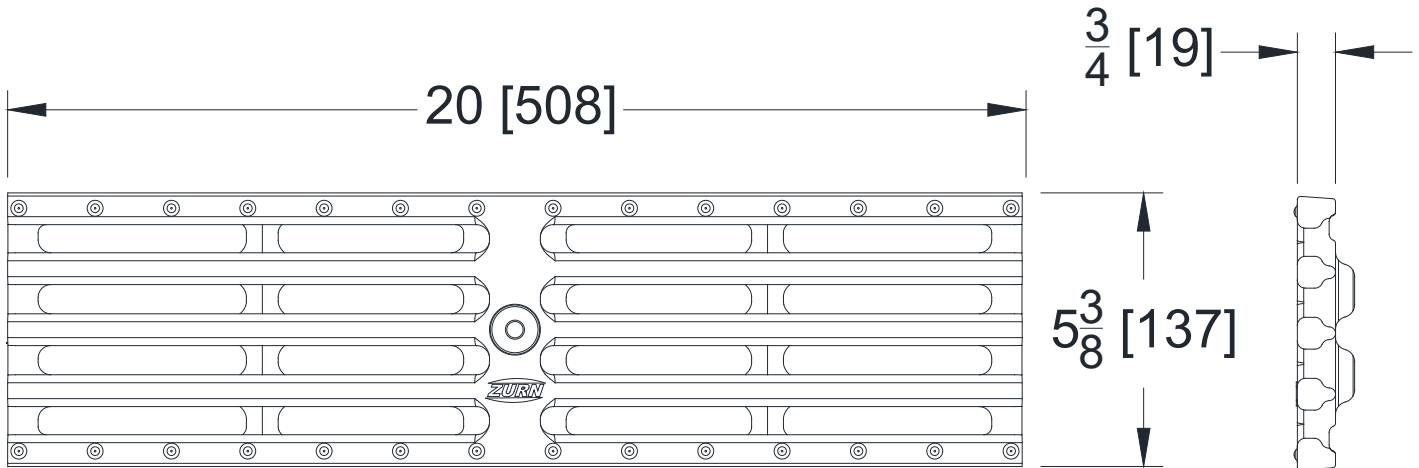


P6-LD
6 [152] WIDE GRATE

Design and Dimensional Data (inches and [mm]) are Subject to Manufacturing Tolerances and Change Without Notice

[Back to Index](#)

Please Check ✓	Item No.	Part Number	Item I.D.
___	42	57153	P6-LD



ENGINEERING SPECIFICATION: ZURN P6-LD

20" [508mm] X 5-3/8" [137mm] Ductile Iron longitudinally slotted grate weighing 6.7 lbs per linear foot [9.8kg/m]. The grate has an open area of 20.5 in² per linear foot [433cm²/m]. Grate conforms to DIN rating of B, ANSI rating of Medium-Duty, and ASTM A536 Grade 80-55-06.

LD - Longitudinal Slotted	
Material:	Ductile Iron
DIN Rating:	Class B
Weight:	6.7 lbs/ft [9.8 kg/m]
Open Area:	20.5 in ² /ft [433 cm ² /m]
ANSI Rating:	Medium-Duty
Application:	Sidewalks
Slot Width/Hole Size:	1/2" [12.7 mm]
ADA:	No
H-20:	No
FAA:	No

⚠ WARNING: Cancer and Reproductive Harm - www.P65Warnings.ca.gov

⚠ ADVERTENCIA: Cáncer y daño reproductivo - www.P65Warnings.ca.gov

⚠ AVERTISSEMENT: Cancer et effets néfastes sur la reproduction - www.P65Warnings.ca.gov

Zurn Industries, LLC | Specification Drainage Operation
1801 Pittsburgh Avenue, Erie, PA 16502, Ph. 855.663.9876

In Canada | Zurn Industries Limited
7900 Goreway Drive, Unit 10, Brampton, Ontario L6T 5W6, Ph. 877.892.5216

www.zurn.com

Rev. AV
Date: 05/20/25
C.N. No. 146570
Patent zurn.com/patents
Prod. | Dwg. No. FT641

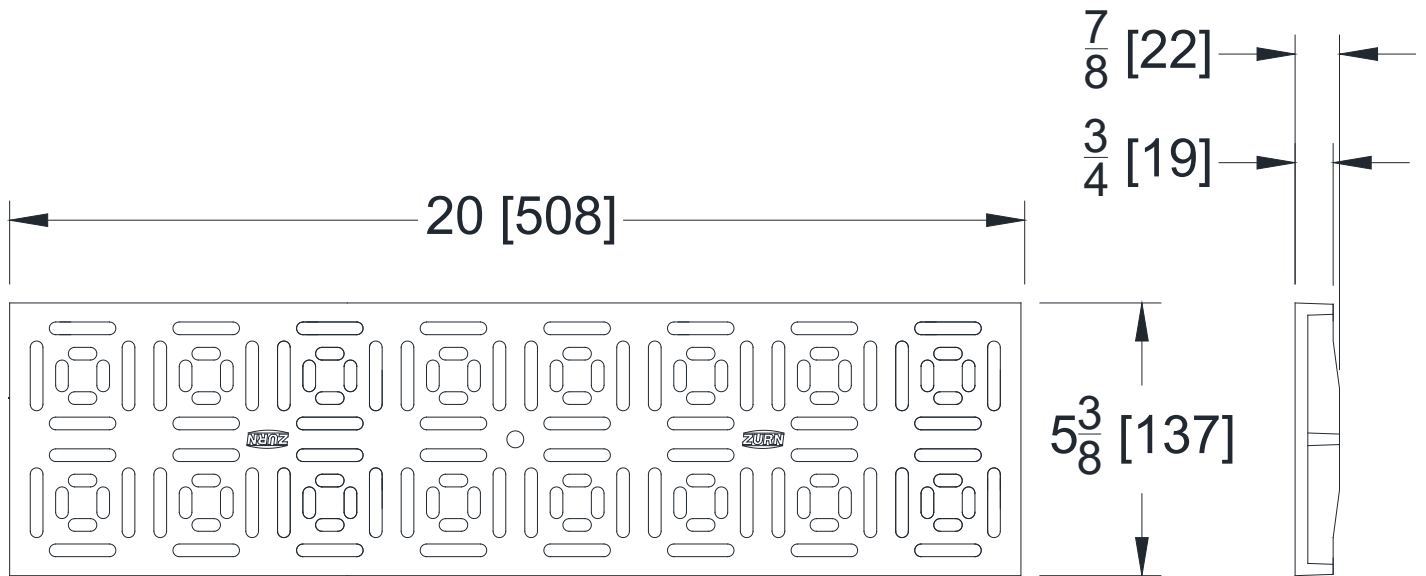


P6-NBZ-USA
6 [152] WIDE DECORATIVE GRATE

Design and Dimensional Data (inches and [mm]) are Subject to Manufacturing Tolerances and Change Without Notice

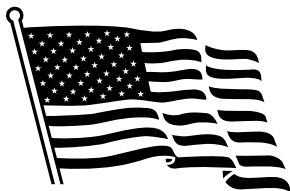
[Back to Index](#)

Please Check ✓	Item No.	Part Number	Item I.D.
—	43	64054	P6-NBZ-USA



ENGINEERING SPECIFICATION: ZURN P6-NBZ-USA

20" [508mm] X 5-3/8" [137mm] Nickel Bronze decorative grate weighing 5.7 lbs per linear foot [8.5kg/m]. The grate has an open area of 16.9 in² per linear foot [357cm²/m]. Grate conforms to DIN rating of A, ANSI rating of Light-Duty, ADA compliant and ASTM B584 Copper alloy NO. C997.



MADE IN THE USA

NBZ-USA - Decorative	
Material:	Nickel Bronze
DIN Rating:	Class A
Weight:	5.7 lbs/ft [8.5 kg/m]
Open Area:	16.9 in ² /ft [357 cm ² /m]
ANSI Rating:	Light-Duty
Application:	Decorative Heel-Proof Pedestrian
Slot Width/Hole Size:	1/4" [6.4mm]
ADA:	Yes
H-20:	No
FAA:	No

⚠ WARNING: Cancer and Reproductive Harm - www.P65Warnings.ca.gov

⚠ ADVERTENCIA: Cáncer y daño reproductivo - www.P65Warnings.ca.gov

⚠ AVERTISSEMENT: Cancer et effets néfastes sur la reproduction - www.P65Warnings.ca.gov

Zurn Industries, LLC | Specification Drainage Operation
1801 Pittsburgh Avenue, Erie, PA 16502, Ph. 855.663.9876

In Canada | Zurn Industries Limited
7900 Goreway Drive, Unit 10, Brampton, Ontario L6T 5W6, Ph. 877.892.5216

www.zurn.com

Rev. AV
Date: 05/20/25
C.N. No. 146570
Patent zurn.com/patents
Prod. | Dwg. No. FT641



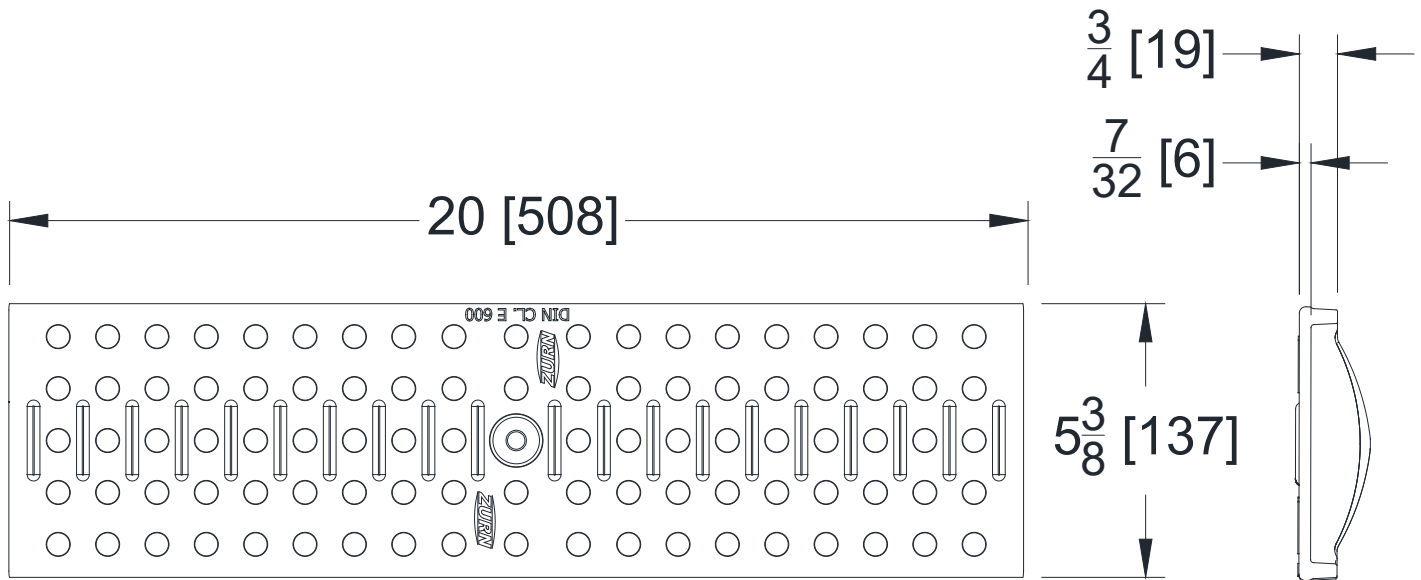
P6-PDE-USA

6 [152] WIDE DOMESTIC DECORATIVE GRATE

Design and Dimensional Data (inches and [mm]) are Subject to Manufacturing Tolerances and Change Without Notice

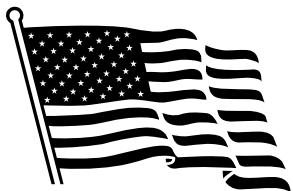
[Back to Index](#)

Please Check ✓	Item No.	Part Number	Item I.D.
___	44	84474	P6-PDE-USA



ENGINEERING SPECIFICATION: ZURN P6-PDE-USA

20" [508mm] X 5-3/8" [137mm] Ductile Iron perforated grate weighing 7.4 lbs per linear foot [11.2kg/m]. The grate has an open area of 9.13 in² per linear foot [193cm²/m]. Grate conforms to DIN rating of E, ANSI rating of Special-Duty, ADA Compliant, H-20 and FAA load rated, and ASTM A536 Grade 80-55-06.



MADE IN THE USA

PDE-USA - Decorative	
Material:	Ductile Iron
DIN Rating:	Class E
Weight:	7.4 lbs/ft [11.2 kg/m]
Open Area:	9.1 in ² /ft [193 cm ² /m]
ANSI Rating:	Special-Duty
Application:	Forklift Rated
Slot Width/Hole Size:	29/64" [11.5 mm]
ADA:	Yes
H-20:	Yes
FAA:	Yes

⚠ WARNING: Cancer and Reproductive Harm - www.P65Warnings.ca.gov

⚠ ADVERTENCIA: Cáncer y daño reproductivo - www.P65Warnings.ca.gov

⚠ AVERTISSEMENT: Cancer et effets néfastes sur la reproduction - www.P65Warnings.ca.gov

Zurn Industries, LLC | Specification Drainage Operation
1801 Pittsburgh Avenue, Erie, PA 16502, Ph. 855.663.9876

In Canada | Zurn Industries Limited
7900 Goreway Drive, Unit 10, Brampton, Ontario L6T 5W6, Ph. 877.892.5216

www.zurn.com

Rev. AV
Date: 05/20/25
C.N. No. 146570
Patent zurn.com/patents
Prod. | Dwg. No. FT641

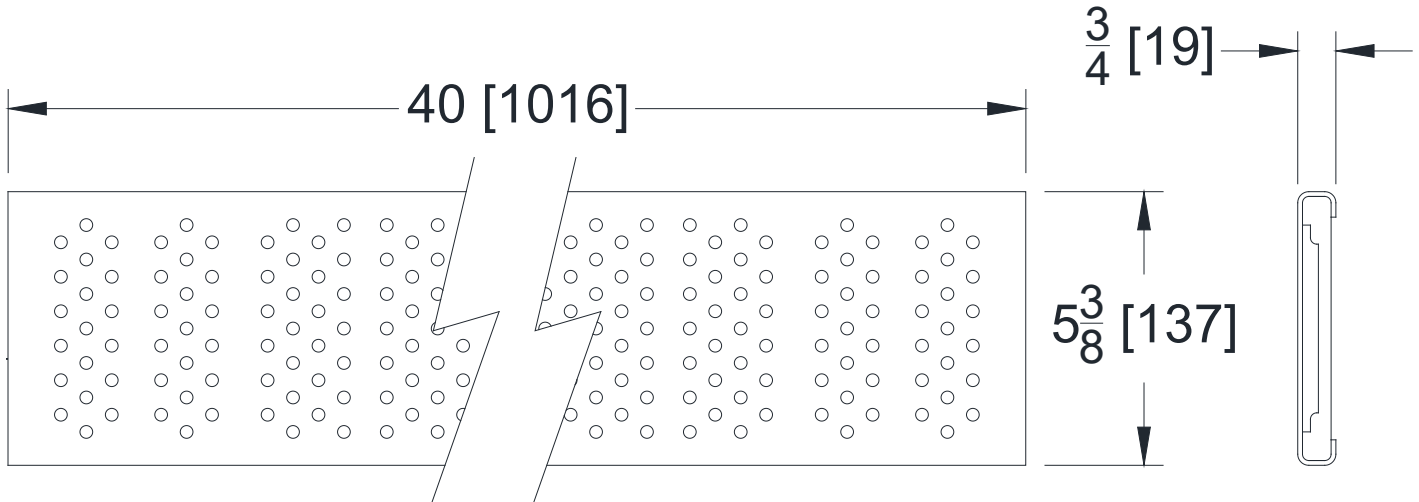


P6-PG
6 [152] WIDE DOMESTIC GRATE

Design and Dimensional Data (inches and [mm]) are Subject to Manufacturing Tolerances and Change Without Notice

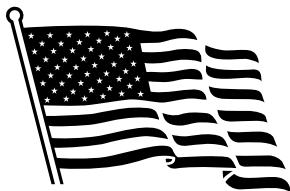
[Back to Index](#)

Please Check ✓	Item No.	Part Number	Item I.D.
—	45	64078	P6-PG



ENGINEERING SPECIFICATION: ZURN P6-PG

40" [1016mm] X 5-3/8" [137mm] Galvanized steel fabricated perforated grate weighing 1.6 lbs per linear foot [2.3kg/m]. The grate has an open area of 5.3 in² per linear foot [112cm²/m]. Grate conforms to DIN rating of A, ANSI rating of Light-Duty, ADA Compliant. Carbon steel conforms to ASTM A653 Type CS-B, galvanized coating designation G60, minimum spangle.



MADE IN THE USA

PG - Fabricated Perforated	
Material:	Galvanized Steel
DIN Rating:	Class A
Weight:	1.6 lbs/ft [2.3 kg/m]
Open Area:	5.3 in ² /ft [112 cm ² /m]
ANSI Rating:	Light-Duty
Application:	Heel-Proof Pedestrian
Slot Width/Hole Size:	1/4" [6.4 mm]
ADA:	Yes
H-20:	No
FAA:	No

- ⚠ WARNING:** Cancer and Reproductive Harm - www.P65Warnings.ca.gov
- ⚠ ADVERTENCIA:** Cáncer y daño reproductivo - www.P65Warnings.ca.gov
- ⚠ AVERTISSEMENT:** Cancer et effets néfastes sur la reproduction - www.P65Warnings.ca.gov

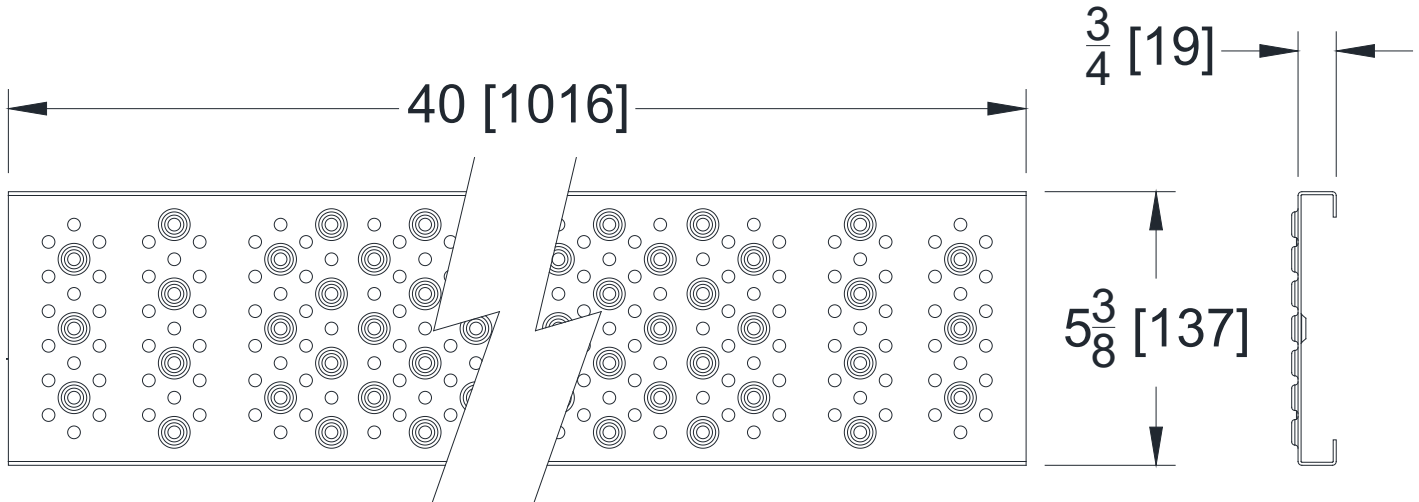


P6-PGR
6 [152] WIDE DOMESTIC DECORATIVE GRATE

Design and Dimensional Data (inches and [mm]) are Subject to Manufacturing Tolerances and Change Without Notice

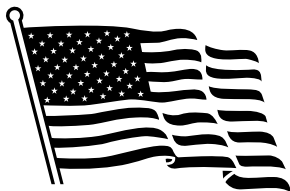
[Back to Index](#)

Please Check ✓	Item No.	Part Number	Item I.D.
—	46	301238	P6-PGR



ENGINEERING SPECIFICATION: ZURN P6-PGR

40" [1016mm] X 5-3/8" [137mm] Galvanized steel fabricated raised perforated grate weighing 1.8 lbs per linear foot [2.7kg/m]. The grate has an open area of 5.3 in² per linear foot [112cm²/m]. Grate conforms to DIN rating of A, ANSI rating of Light-Duty, ADA Compliant, and ASTM A653, Type CS-B. Galvanized coating designation G60, minimum spangle.



MADE IN THE USA

PGR - Raised Perforated	
Material:	Galvanized Steel
DIN Rating:	Class A
Weight:	1.8 lbs/ft [2.7 kg/m]
Open Area:	5.3 in ² /ft [112 cm ² /m]
ANSI Rating:	Light-Duty
Application:	Heel-Proof Pedestrian
Slot Width/Hole Size:	1/4" [6.4mm]
ADA:	Yes
H-20:	No
FAA:	No

⚠ WARNING: Cancer and Reproductive Harm - www.P65Warnings.ca.gov

⚠ ADVERTENCIA: Cáncer y daño reproductivo - www.P65Warnings.ca.gov

⚠ AVERTISSEMENT: Cancer et effets néfastes sur la reproduction - www.P65Warnings.ca.gov

Zurn Industries, LLC | Specification Drainage Operation
1801 Pittsburgh Avenue, Erie, PA 16502, Ph. 855.663.9876

In Canada | Zurn Industries Limited
7900 Goreway Drive, Unit 10, Brampton, Ontario L6T 5W6, Ph. 877.892.5216

www.zurn.com

Rev. AV
Date: 05/20/25
C.N. No. 146570
Patent zurn.com/patents
Prod. | Dwg. No. FT641

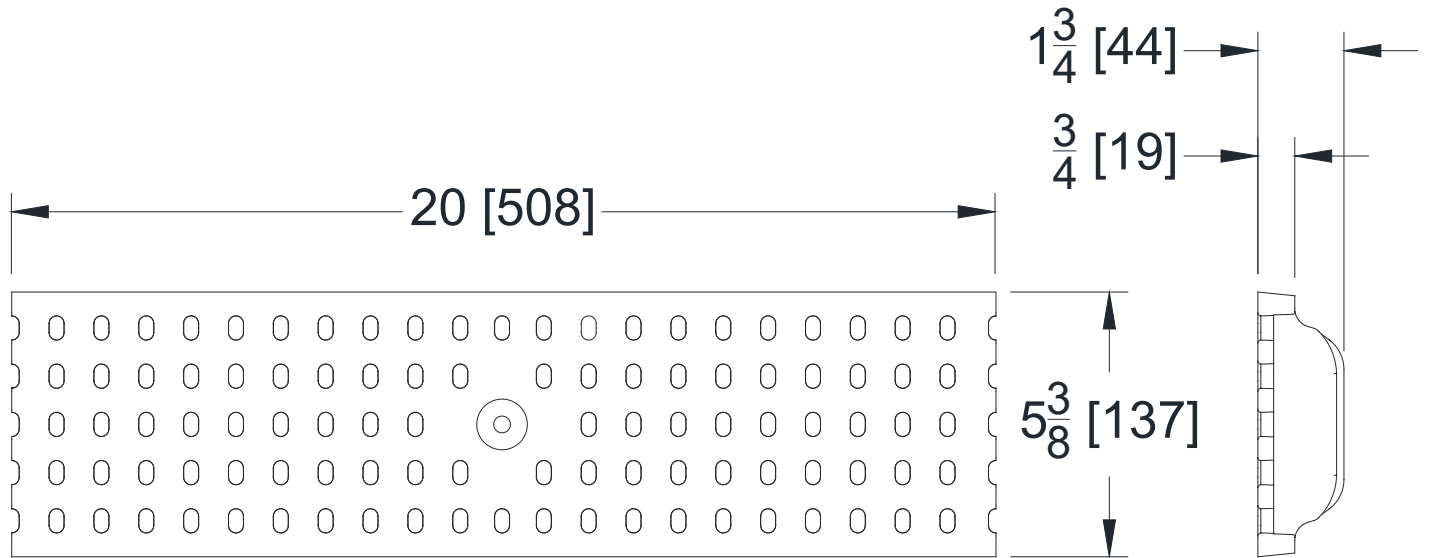


P6-PPC
6 [152] WIDE DOMESTIC GRATE

Design and Dimensional Data (inches and [mm]) are Subject to Manufacturing Tolerances and Change Without Notice

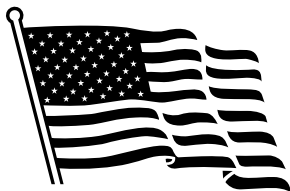
[Back to Index](#)

Please Check ✓	Item No.	Part Number	Item I.D.
—	47	94149	P6-PPC



ENGINEERING SPECIFICATION: ZURN P6-PPC

20" [508mm] X 5-3/8" [137mm] Vinylester perforated plastic grate weighing 3.3 lbs per linear foot [4.9kg/m]. The grate has an open area of 6.6 in² per linear foot [140cm²/m]. Grate conforms to DIN rating of B, ANSI rating of Medium-Duty and ADACompliant, and Interplastic CORVE8300 or Reichhold DION 9100 or equivalent.



MADE IN THE USA

PPC - Perforated Grate	
Material:	Vinylester
DIN Rating:	Class B
Weight:	3.3 lbs/ft [4.9 kg/m]
Open Area:	6.6 in ² /ft [140 cm ² /m]
ANSI Rating:	Medium-Duty
Application:	Non-metallic, Chemical
Slot Width/Hole Size:	19/64" [7.5mm]
ADA:	Yes
H-20:	No
FAA:	No

⚠ WARNING: Cancer and Reproductive Harm - www.P65Warnings.ca.gov

⚠ ADVERTENCIA: Cáncer y daño reproductivo - www.P65Warnings.ca.gov

⚠ AVERTISSEMENT: Cancer et effets néfastes sur la reproduction - www.P65Warnings.ca.gov

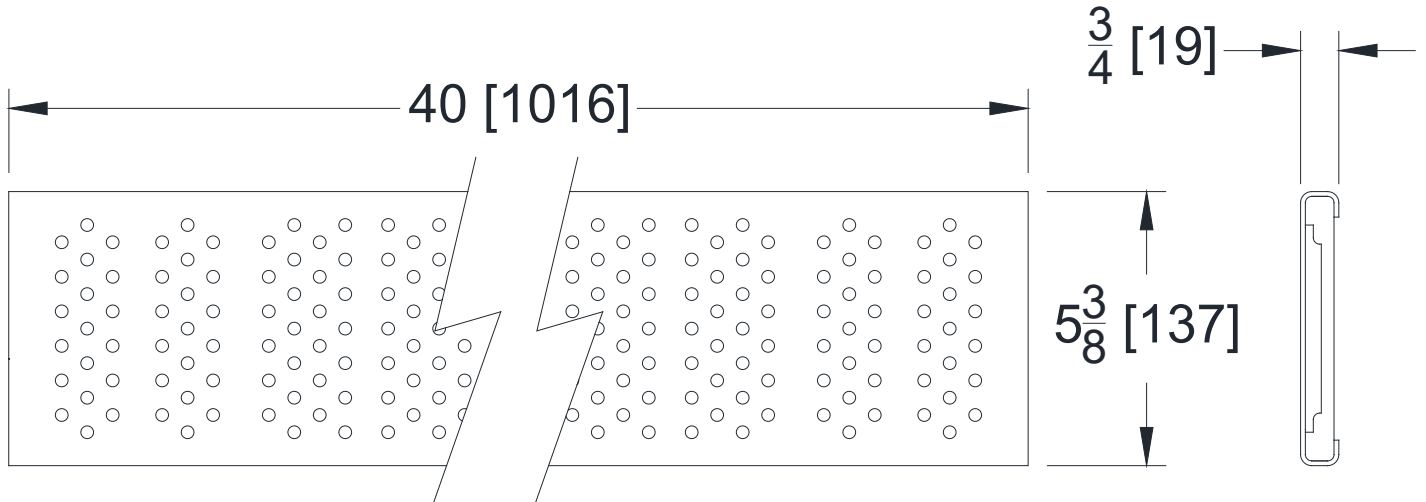


P6-PS
6 [152] WIDE DOMESTIC GRATE

Design and Dimensional Data (inches and [mm]) are Subject to Manufacturing Tolerances and Change Without Notice

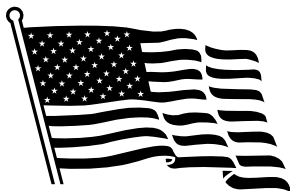
[Back to Index](#)

Please Check ✓	Item No.	Part Number	Item I.D.
—	48	64078	P6-PS



ENGINEERING SPECIFICATION: ZURN P6-PS

40" [1016mm] X 5-3/8" [137mm] Stainless steel perforated grate weighing 1.8 lbs per linear foot [2.7kg/m]. The grate has an open area of 5.3 in² per linear foot [112cm²/m]. Grate conforms to DIN rating of A, ANSI rating of Light-Duty, ADA Compliant, and ASTM A240 Type 304 (or 316 by request).



MADE IN THE USA

PS - Fabricated Perforated	
Material:	Type 304 Stainless Steel
DIN Rating:	Class A
Weight:	1.8 lbs/ft [2.7 kg/m]
Open Area:	5.3 in ² /ft [112 cm ² /m]
ANSI Rating:	Light-Duty
Application:	Heel-Proof Pedestrian
Slot Width/Hole Size:	1/4" [6.4mm]
ADA:	Yes
H-20:	No
FAA:	No

⚠ WARNING: Cancer and Reproductive Harm - www.P65Warnings.ca.gov

⚠ ADVERTENCIA: Cáncer y daño reproductivo - www.P65Warnings.ca.gov

⚠ AVERTISSEMENT: Cancer et effets néfastes sur la reproduction - www.P65Warnings.ca.gov

Zurn Industries, LLC | Specification Drainage Operation
1801 Pittsburgh Avenue, Erie, PA 16502, Ph. 855.663.9876

In Canada | Zurn Industries Limited
7900 Goreway Drive, Unit 10, Brampton, Ontario L6T 5W6, Ph. 877.892.5216

www.zurn.com

Rev. AV
Date: 05/20/25
C.N. No. 146570
Patent zurn.com/patents
Prod. | Dwg. No. FT641

Page 49 of 73

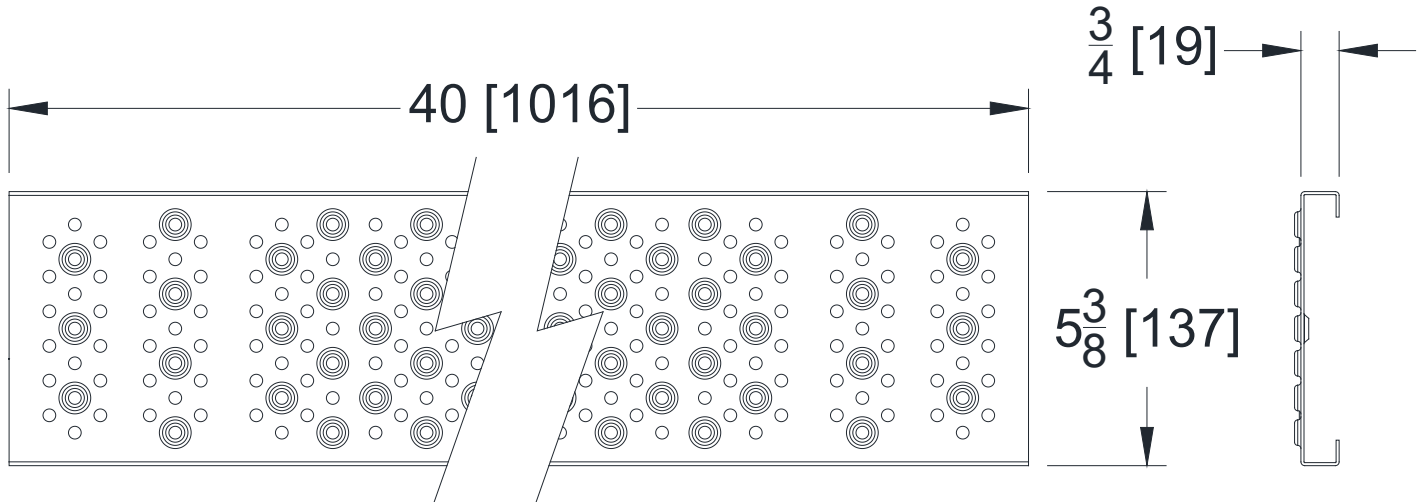


P6-PSR
6 [152] WIDE DECORATIVE GRATE

Design and Dimensional Data (inches and [mm]) are Subject to Manufacturing Tolerances and Change Without Notice

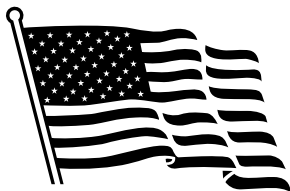
[Back to Index](#)

Please Check ✓	Item No.	Part Number	Item I.D.
—	49	301238	P6-PSR



ENGINEERING SPECIFICATION: ZURN P6-PSR

40" [1016mm] X 5-3/8" [137mm] Stainless steel fabricated raised perforated grate weighing 1.9 lbs per linear foot [2.8kg/m]. The grate has an open area of 5.3 in² per linear foot [112cm²/m]. Grate conforms to DIN rating of A, ANSI rating of Light-Duty, ADA Compliant, and ASTM A240 Type 304 (or 316 by request).



MADE IN THE USA

PSR - Raised Perforated	
Material:	Type 304 Stainless Steel
DIN Rating:	Class A
Weight:	1.9 lbs/ft [2.8 kg/m]
Open Area:	5.3 in ² /ft [112 cm ² /m]
ANSI Rating:	Light-Duty
Application:	Heel-Proof Pedestrian
Slot Width/Hole Size:	1/4" [6.4mm]
ADA:	Yes
H-20:	No
FAA:	No

⚠ WARNING: Cancer and Reproductive Harm - www.P65Warnings.ca.gov

⚠ ADVERTENCIA: Cáncer y daño reproductivo - www.P65Warnings.ca.gov

⚠ AVERTISSEMENT: Cancer et effets néfastes sur la reproduction - www.P65Warnings.ca.gov

Zurn Industries, LLC | Specification Drainage Operation
1801 Pittsburgh Avenue, Erie, PA 16502, Ph. 855.663.9876

In Canada | Zurn Industries Limited
7900 Goreway Drive, Unit 10, Brampton, Ontario L6T 5W6, Ph. 877.892.5216

www.zurn.com

Rev. AV
Date: 05/20/25
C.N. No. 146570
Patent zurn.com/patents
Prod. | Dwg. No. FT641

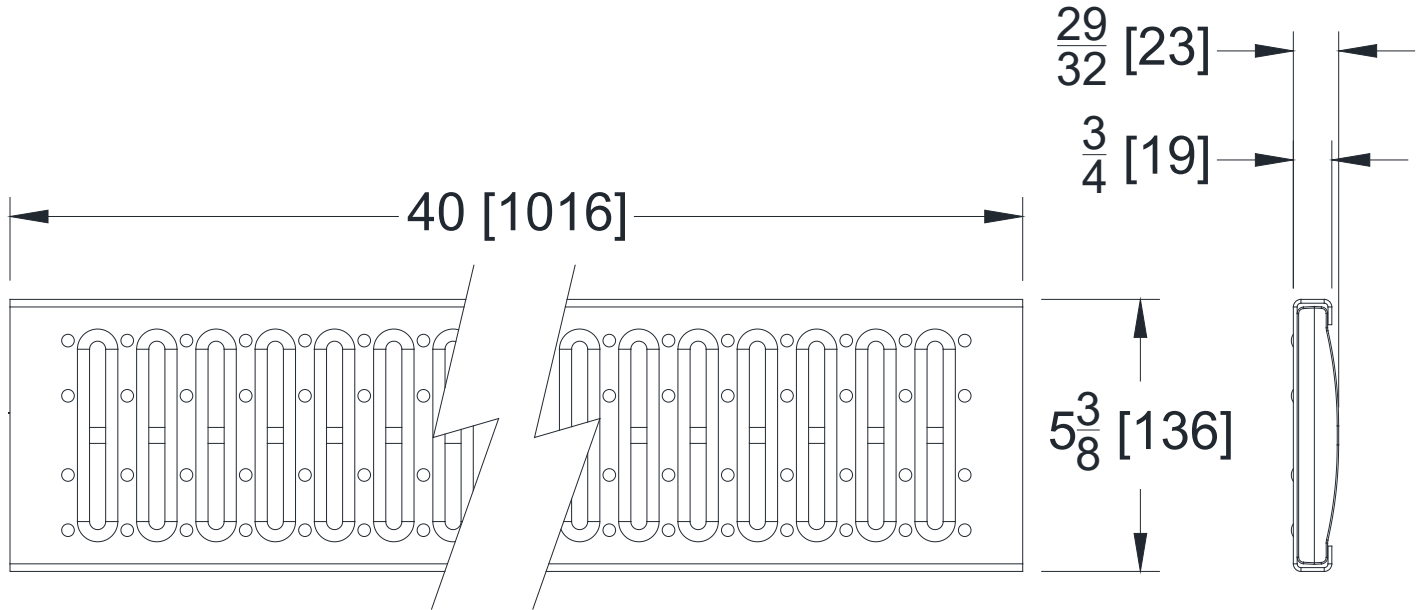


P6-RFGC
6 [152] WIDE GRATE

Design and Dimensional Data (inches and [mm]) are Subject to Manufacturing Tolerances and Change Without Notice

[Back to Index](#)

Please Check ✓	Item No.	Part Number	Item I.D.
—	50	64063	P6-RFGC



ENGINEERING SPECIFICATION: ZURN P6-RFGC

40" [1016mm] X 5-3/8" [137mm] Galvanized steel reinforced slotted grate weighing 4.8 lbs per linear foot [7.2kg/m]. The grate has an open area of 12.0 in² per linear foot [254cm²/m]. Grate conforms to DIN rating of C, ANSI rating of Heavy-Duty, ADA compliant* and H-20 load rated. Galvanized skin conforms to ASTM A653, galvanized coating designation G60 and minimum spangle. Ductile Iron reinforcement ASTM A536 Grade 80-55-06. Galvanized (hot dip) conform to ASTM A123.

RFGC - Reinforced Slotted	
Material:	Galvanized Steel & Galvanized Ductile Iron
DIN Rating:	Class C
Weight:	4.8 lbs/ft [7.2 kg/m]
Open Area:	12.0 in ² /ft [254 cm ² /m]
ANSI Rating:	Heavy-Duty
Application:	Roadway
Slot Width/Hole Size:	3/8" [9.5 mm]
ADA:	Yes*
H-20:	Yes
FAA:	No

* Elongated openings must be placed perpendicular to the dominant direction of travel.

⚠ WARNING: Cancer and Reproductive Harm - www.P65Warnings.ca.gov

⚠ ADVERTENCIA: Cáncer y daño reproductivo - www.P65Warnings.ca.gov

⚠ AVERTISSEMENT: Cancer et effets néfastes sur la reproduction - www.P65Warnings.ca.gov

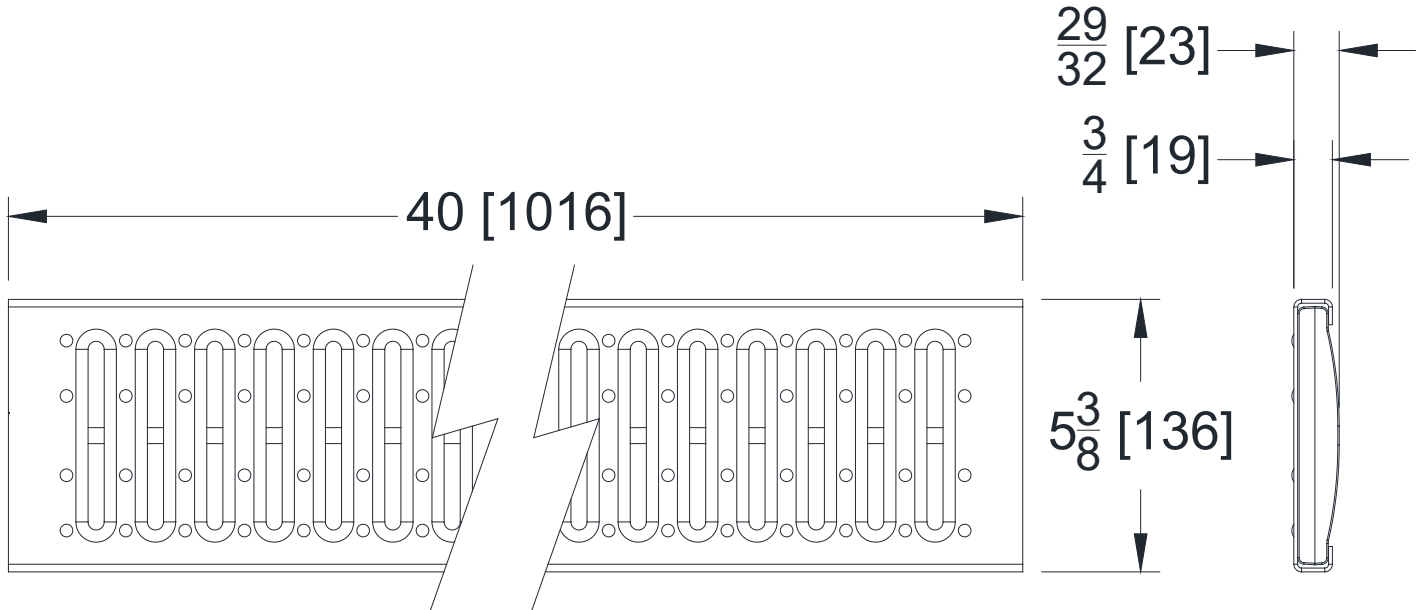


P6-RFSC
6 [152] WIDE GRATE

Design and Dimensional Data (inches and [mm]) are Subject to Manufacturing Tolerances and Change Without Notice

[Back to Index](#)

Please Check ✓	Item No.	Part Number	Item I.D.
—	51	64063	P6-RFSC



ENGINEERING SPECIFICATION: ZURN P6-RFSC

40" [1016mm] X 5-3/8" [137mm] Stainless steel reinforced slotted grate weighing 5.2 lbs per linear foot [7.9kg/m]. The grate has an open area of 12.0 in² per linear foot [254cm²/m]. Grate conforms to DIN rating of C, ANSI rating of Heavy-Duty, ADA compliant* and H-20 load rating. Stainless steel grate conforms to ASTM A351 Type 304 (Grade CF8M Type 316 by request)

RFSC - Reinforced Slotted	
Material:	Type 304 Stainless Steel
DIN Rating:	Class C
Weight:	5.2 lbs/ft [7.9 kg/m]
Open Area:	12.0 in ² /ft [254 cm ² /m]
ANSI Rating:	Heavy-Duty
Application:	Roadway
Slot Width/Hole Size:	3/8" [9.5 mm]
ADA:	Yes*
H-20:	Yes
FAA:	No

* Elongated openings must be placed perpendicular to the dominant direction of travel.

⚠ WARNING: Cancer and Reproductive Harm - www.P65Warnings.ca.gov

⚠ ADVERTENCIA: Cáncer y daño reproductivo - www.P65Warnings.ca.gov

⚠ AVERTISSEMENT: Cancer et effets néfastes sur la reproduction - www.P65Warnings.ca.gov

Zurn Industries, LLC | Specification Drainage Operation
1801 Pittsburgh Avenue, Erie, PA 16502, Ph. 855.663.9876

In Canada | Zurn Industries Limited
7900 Goreway Drive, Unit 10, Brampton, Ontario L6T 5W6, Ph. 877.892.5216

www.zurn.com

Rev. AV
Date: 05/20/25
C.N. No. 146570
Patent zurn.com/patents
Prod. | Dwg. No. FT641

Page 52 of 73

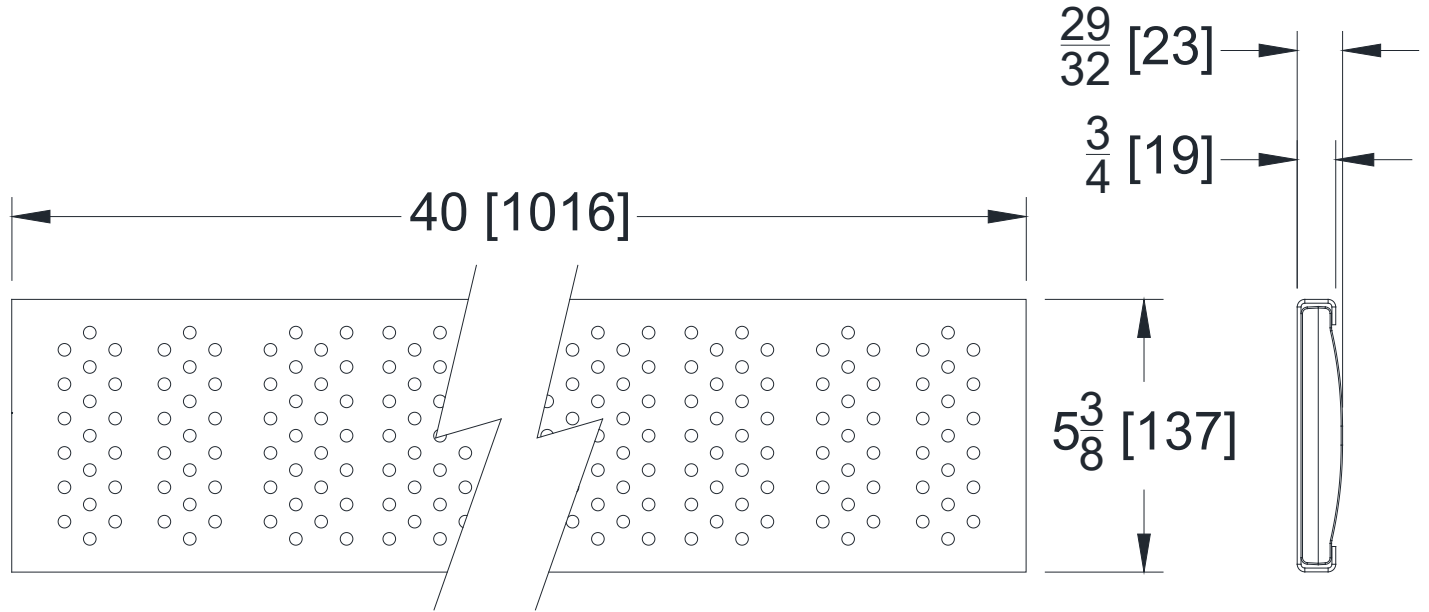


P6-RPGC
6 [152] WIDE GRATE

Design and Dimensional Data (inches and [mm]) are Subject to Manufacturing Tolerances and Change Without Notice

[Back to Index](#)

Please Check ✓	Item No.	Part Number	Item I.D.
—	52	64078	P6-RPGC



ENGINEERING SPECIFICATION: ZURN P6-RPGC

40" [1016mm] X 5-3/8" [137mm] Galvanized steel reinforced perforated grate weighing 4.7 lbs per linear foot [6.9kg/m]. The grate has an open area of 5.3 in² per linear foot [112cm²/m]. Grate conforms to DIN rating of C, ANSI rating of Heavy-Duty, ADA Compliant, H-20 load rated, and ASTM A653. Galvanized coating designation G60, minimum spangle. Ductile Iron reinforcement ASTM A536 Grade 80-55-06. Galvanized (hot dip) reinforcements conform to ASTM A123.

RPGC - Reinforced Perforated	
Material:	Galvanized Steel & Galvanized Ductile Iron
DIN Rating:	Class C
Weight:	4.7 lbs/ft [6.9 kg/m]
Open Area:	5.3 in ² /ft [112 cm ² /m]
ANSI Rating:	Heavy-Duty
Application:	Roadway
Slot Width/Hole Size:	1/4" [6.4 mm]
ADA:	Yes
H-20:	Yes
FAA:	No

- ⚠ WARNING:** Cancer and Reproductive Harm - www.P65Warnings.ca.gov
- ⚠ ADVERTENCIA:** Cáncer y daño reproductivo - www.P65Warnings.ca.gov
- ⚠ AVERTISSEMENT:** Cancer et effets néfastes sur la reproduction - www.P65Warnings.ca.gov

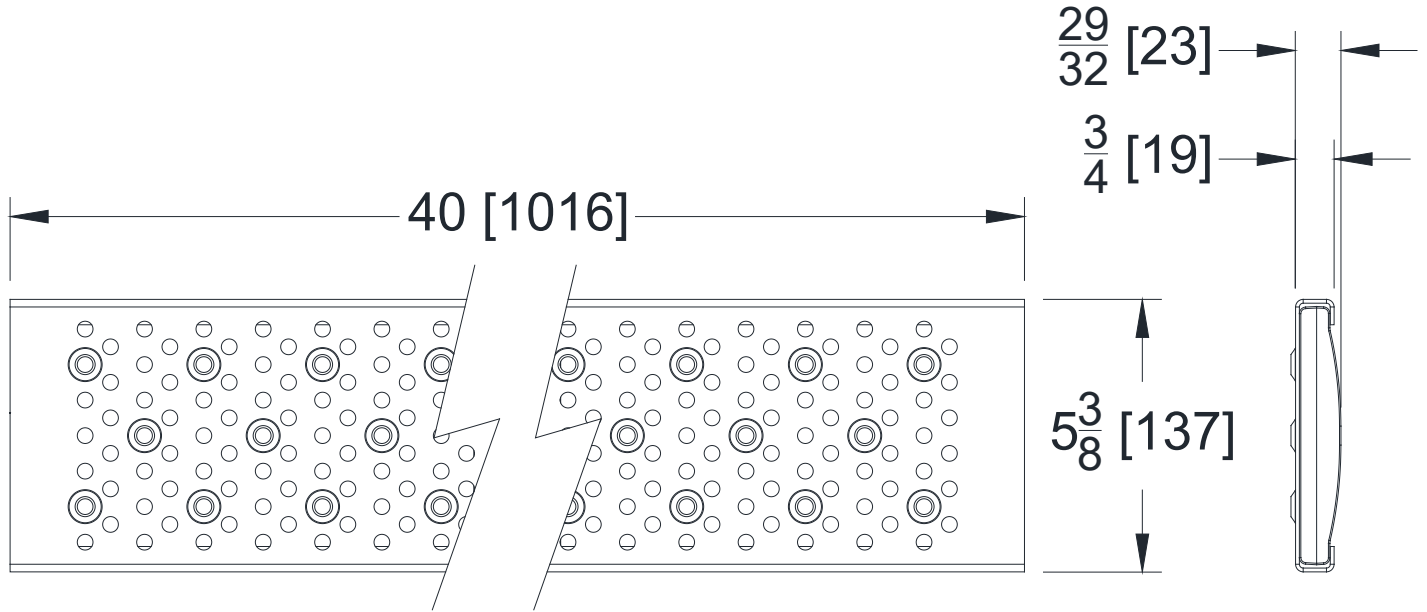


P6-RPGRC
6 [152] WIDE GRATE

Design and Dimensional Data (inches and [mm]) are Subject to Manufacturing Tolerances and Change Without Notice

[Back to Index](#)

Please Check ✓	Item No.	Part Number	Item I.D.
—	53	308341	P6-RPGRC



ENGINEERING SPECIFICATION: ZURN P6-RPGRC

40" [1016mm] X 5-3/8" [137mm] Galvanized steel reinforced perforated grate weighing 4.7 lbs per linear foot [7.0kg/m]. The Grate has an open area of 8.3 in² per linear foot [175cm²/m]. Grate conforms to DIN rating of C, ANSI rating of Heavy-Duty, ADA Compliant, H-20 load rated, and ASTM A653. Type CS-B Galvanized coating designation G60, minimum spangle. Ductile Iron reinforcement ASTM A536 Grade 80-55-06. Galvanized (hot dip) reinforcements conform to ASTM A123.

RPGRC - Reinforced Perforated Reverse Punch	
Material:	Galvanized Steel & Galvanized Ductile Iron
DIN Rating:	Class C
Weight:	4.7 lbs/ft [7.0 kg/m]
Open Area:	8.3 in ² /ft [175 cm ² /m]
ANSI Rating:	Heavy-Duty
Application:	Roadway
Slot Width/Hole Size:	5/16" [8 mm]
ADA:	Yes
H-20:	Yes
FAA:	No

- ⚠ WARNING:** Cancer and Reproductive Harm - www.P65Warnings.ca.gov
- ⚠ ADVERTENCIA:** Cáncer y daño reproductivo - www.P65Warnings.ca.gov
- ⚠ AVERTISSEMENT:** Cancer et effets néfastes sur la reproduction - www.P65Warnings.ca.gov

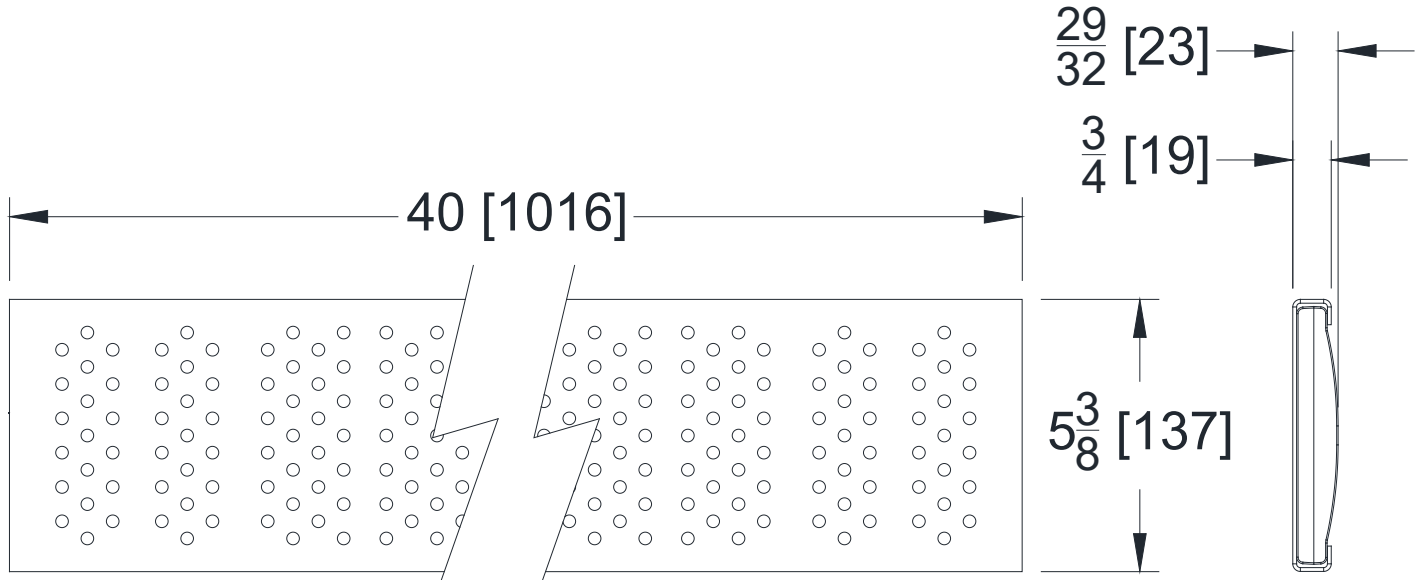


P6-RPSC
6 [152] WIDE GRATE

Design and Dimensional Data (inches and [mm]) are Subject to Manufacturing Tolerances and Change Without Notice

[Back to Index](#)

Please Check ✓	Item No.	Part Number	Item I.D.
—	54	64078	P6-RPSC



ENGINEERING SPECIFICATION: ZURN P6-RPSC

40" [1016mm] X 5-3/8" [137mm] Stainless steel reinforced perforated grate weighing 5.1 lbs per linear foot [7.5kg/m]. The grate has an open area of 5.3 in² per linear foot [112cm²/m]. Grate conforms to DIN rating of C, ANSI rating of Heavy-Duty, H-20 load rated, ADA Compliant. Stainless steel grate conforms to ASTM A351 Grade CF8 Type 304 (Grade CF8M, Type 316 by request) for cast reinforcement and A-240 TYPE 304 for grate skin.

RPSC - Reinforced Perforated	
Material:	Type 304 Stainless Steel
DIN Rating:	Class C
Weight:	5.1 lbs/ft [7.5 kg/m]
Open Area:	5.3 in ² /ft [112 cm ² /m]
ANSI Rating:	Heavy-Duty
Application:	Roadway
Slot Width/Hole Size:	1/4" [6.4 mm]
ADA:	Yes
H-20:	Yes
FAA:	No

⚠ WARNING: Cancer and Reproductive Harm - www.P65Warnings.ca.gov

⚠ ADVERTENCIA: Cáncer y daño reproductivo - www.P65Warnings.ca.gov

⚠ AVERTISSEMENT: Cancer et effets néfastes sur la reproduction - www.P65Warnings.ca.gov

Zurn Industries, LLC | Specification Drainage Operation
1801 Pittsburgh Avenue, Erie, PA 16502, Ph. 855.663.9876

In Canada | Zurn Industries Limited
7900 Goreway Drive, Unit 10, Brampton, Ontario L6T 5W6, Ph. 877.892.5216

www.zurn.com

Rev. AV
Date: 05/20/25
C.N. No. 146570
Patent zurn.com/patents
Prod. | Dwg. No. FT641

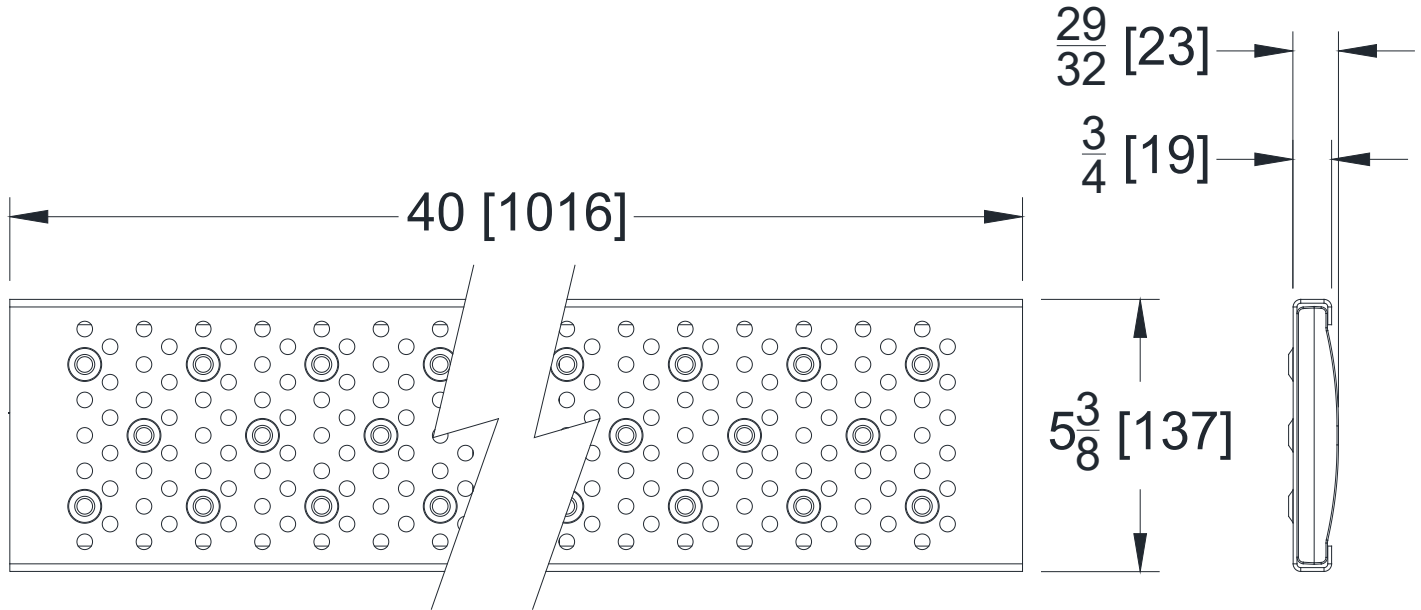


P6-RPSRC
6 [152] WIDE GRATE

Design and Dimensional Data (inches and [mm]) are Subject to Manufacturing Tolerances and Change Without Notice

[Back to Index](#)

Please Check ✓	Item No.	Part Number	Item I.D.
___	55	308341	P6-RPSRC



ENGINEERING SPECIFICATION: ZURN P6-RPSRC

40" [1016mm] X 5-3/8" [137mm] Stainless steel reinforced perforated grate weighing 5.1 lbs per linear foot [7.5kg/m]. The grate has an open area of 8.3 in² per linear foot [175cm²/m]. Grate conforms to DIN rating of C, ANSI rating of Heavy-Duty, ADA Compliant, H-20 load rated. Stainless steel grate conforms to ASTM A351 Grade CF8 Type 304 (Grade CF8M, Type 316 by request) for cast reinforcement and A-240 TYPE 304 for grate skin.

RPSRC - Reinforced Perforated Reverse Punch	
Material:	Type 304 Stainless Steel
DIN Rating:	Class C
Weight:	5.1 lbs/ft [7.5 kg/m]
Open Area:	8.3 in ² /ft [175 cm ² /m]
ANSI Rating:	Heavy-Duty
Application:	Roadway
Slot Width/Hole Size:	5/16" [8 mm]
ADA:	Yes
H-20:	Yes
FAA:	No

⚠ WARNING: Cancer and Reproductive Harm - www.P65Warnings.ca.gov

⚠ ADVERTENCIA: Cáncer y daño reproductivo - www.P65Warnings.ca.gov

⚠ AVERTISSEMENT: Cancer et effets néfastes sur la reproduction - www.P65Warnings.ca.gov

Zurn Industries, LLC | Specification Drainage Operation
1801 Pittsburgh Avenue, Erie, PA 16502, Ph. 855.663.9876

In Canada | Zurn Industries Limited
7900 Goreway Drive, Unit 10, Brampton, Ontario L6T 5W6, Ph. 877.892.5216

www.zurn.com

Rev. AV
Date: 05/20/25
C.N. No. 146570
Patent zurn.com/patents
Prod. | Dwg. No. FT641

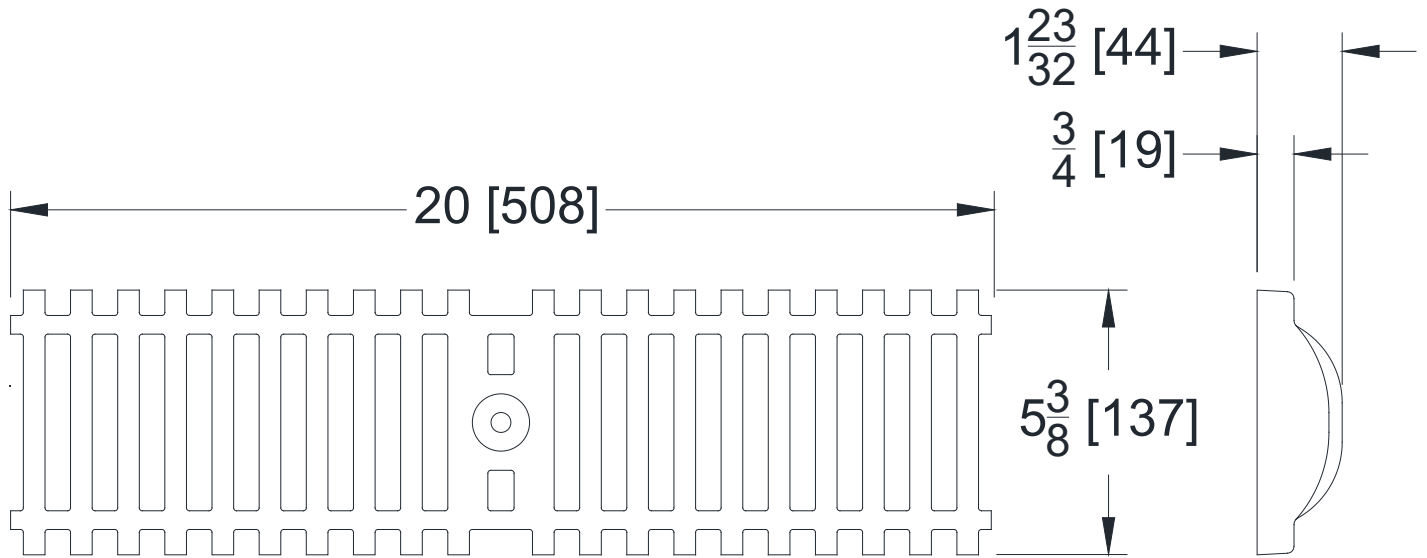


P6-SBG
6 [152] WIDE DECORATIVE GRATE

Design and Dimensional Data (inches and [mm]) are Subject to Manufacturing Tolerances and Change Without Notice

[Back to Index](#)

Please Check ✓	Item No.	Part Number	Item I.D.
—	56	94221	P6-SBG



ENGINEERING SPECIFICATION: ZURN P6-SBG

20" [508mm] X 5-3/8" [137mm] Stainless steel cast bar grate weighing 9.4 lbs per linear foot [14.1kg/m]. The grate has an open area of 27.7 in² per linear foot [587cm²/m], DIN rating of E, ANSI rating of Special-Duty, H-20 and FAA load rated, and A351 Grade CF8 Type 304 (Grade CF8M (TYPE 316 by request).

SBG - Cast Bar Grate	
Material:	Stainless Steel
DIN Rating:	Class E
Weight:	9.4 lbs/ft [14.1 kg/m]
Open Area:	27.7 in ² /ft [587 cm ² /m]
ANSI Rating:	Special-Duty
Application:	Dynamic Loads
Slot Width/Hole Size:	1/2" [12.7 mm]
ADA:	No
H-20:	Yes
FAA:	Yes

⚠ WARNING: Cancer and Reproductive Harm - www.P65Warnings.ca.gov

⚠ ADVERTENCIA: Cáncer y daño reproductivo - www.P65Warnings.ca.gov

⚠ AVERTISSEMENT: Cancer et effets néfastes sur la reproduction - www.P65Warnings.ca.gov

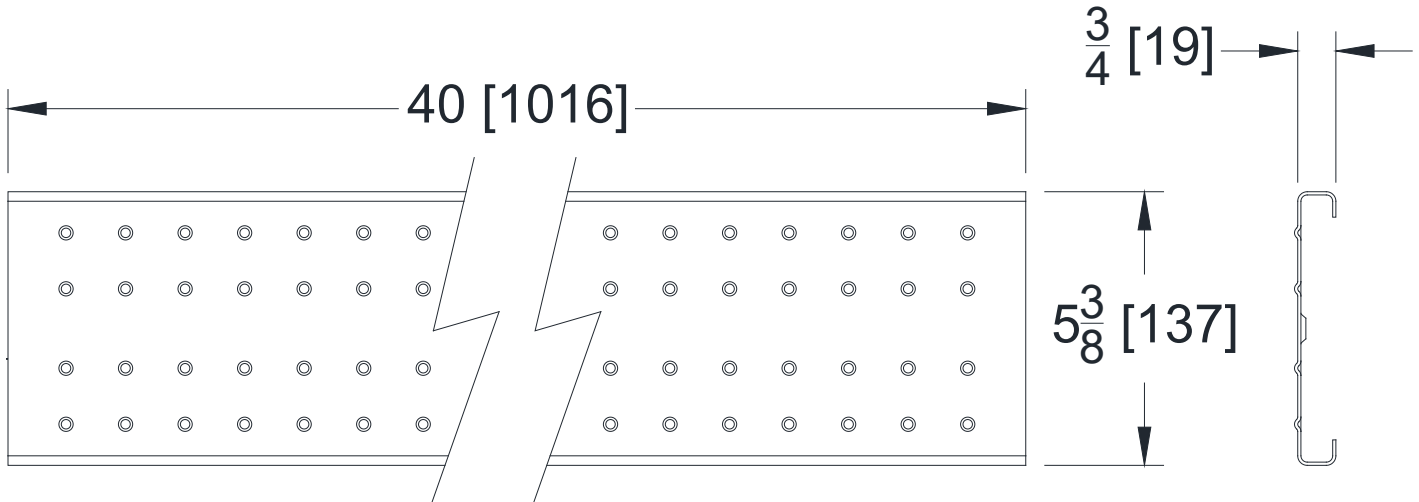


P6-SC
6 [152] WIDE COVER

Design and Dimensional Data (inches and [mm]) are Subject to Manufacturing Tolerances and Change Without Notice

[Back to Index](#)

Please Check ✓	Item No.	Part Number	Item I.D.
—	57	60746	P6-SC



ENGINEERING SPECIFICATION: ZURN P6-SC

40" [1016mm] X 5-3/8" [137mm] Stainless steel fabricated solid cover weighing 1.6 lbs per linear foot [2.4kg/m]. Grate conforms to DIN rating of A, ANSI Rating of Light-Duty, ADA Compliant and ASTM specification A240 Type 304 (316 by request).

SC - Solid Cover	
Material:	Type 304 Stainless Steel
DIN Rating:	Class A
Weight:	1.6 lbs/ft [2.4 kg/m]
Open Area:	N/A
ANSI Rating:	Light-Duty
Application:	Heel-Proof Pedestrian
Slot Width/Hole Size:	N/A
ADA:	Yes
H-20:	No
FAA:	No

⚠ WARNING: Cancer and Reproductive Harm - www.P65Warnings.ca.gov

⚠ ADVERTENCIA: Cáncer y daño reproductivo - www.P65Warnings.ca.gov

⚠ AVERTISSEMENT: Cancer et effets néfastes sur la reproduction - www.P65Warnings.ca.gov

Zurn Industries, LLC | Specification Drainage Operation
1801 Pittsburgh Avenue, Erie, PA 16502, Ph. 855.663.9876

In Canada | Zurn Industries Limited
7900 Goreway Drive, Unit 10, Brampton, Ontario L6T 5W6, Ph. 877.892.5216

www.zurn.com

Rev. AV
Date: 05/20/25
C.N. No. 146570
Patent zurn.com/patents
Prod. | Dwg. No. FT641

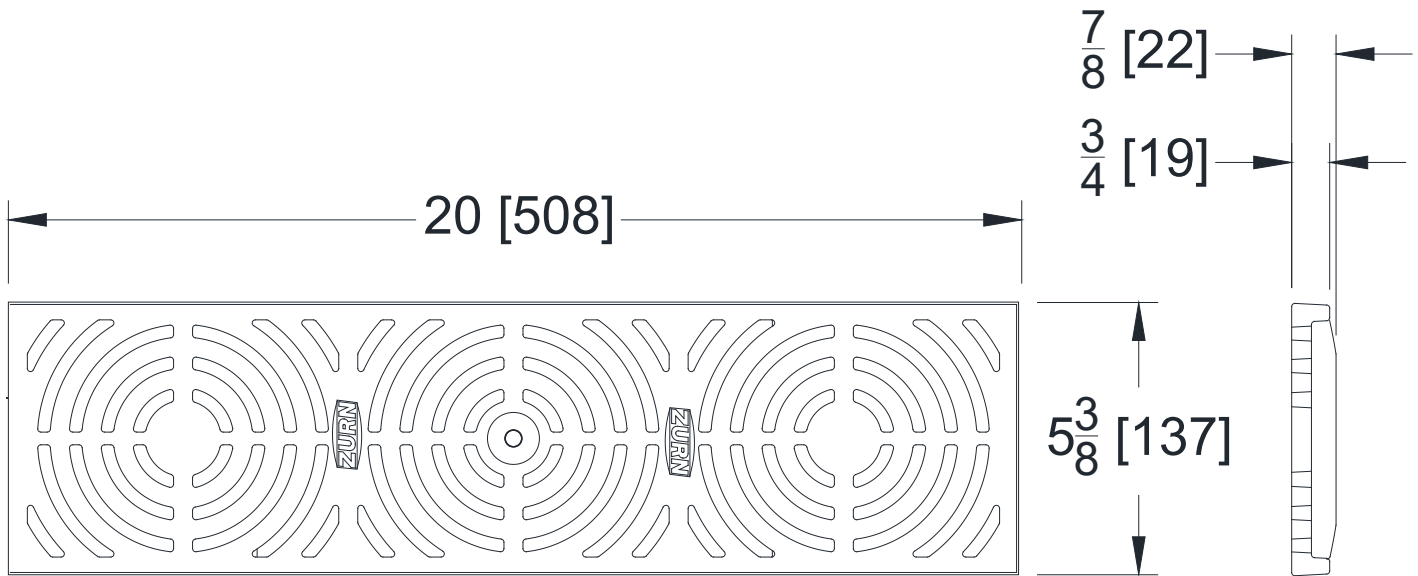


P6-SCD
6 [152] WIDE DECORATIVE GRATE

Design and Dimensional Data (inches and [mm]) are Subject to Manufacturing Tolerances and Change Without Notice

[Back to Index](#)

Please Check ✓	Item No.	Part Number	Item I.D.
—	58	64255	P6-SCD



ENGINEERING SPECIFICATION: ZURN P6-SCD

20" [508mm] X 5-3/8" [137mm] Stainless steel circular decorative grate weighing 7.2 lbs per linear foot [10.8kg/m]. The grate has an open area of 17.6 in² per linear foot [374cm²/m]. Grate conforms to DIN rating of B, ANSI rating of Medium-Duty, ADA Compliant and ASME A351 Grade CF8 Type 304 (Grade CF8M by request Type 316).

SCD - Circular Decorative	
Material:	Type 304 Stainless Steel
DIN Rating:	Class B
Weight:	7.2 lbs/ft [10.8 kg/m]
Open Area:	17.6 in ² /ft [372 cm ² /m]
ANSI Rating:	Medium-Duty
Application:	Decorative Heel-Proof
Slot Width/Hole Size:	1/4" [6.4mm]
ADA:	Yes
H-20:	No
FAA:	No

⚠ WARNING: Cancer and Reproductive Harm - www.P65Warnings.ca.gov

⚠ ADVERTENCIA: Cáncer y daño reproductivo - www.P65Warnings.ca.gov

⚠ AVERTISSEMENT: Cancer et effets néfastes sur la reproduction - www.P65Warnings.ca.gov

Zurn Industries, LLC | Specification Drainage Operation
1801 Pittsburgh Avenue, Erie, PA 16502, Ph. 855.663.9876

In Canada | Zurn Industries Limited
7900 Goreway Drive, Unit 10, Brampton, Ontario L6T 5W6, Ph. 877.892.5216

www.zurn.com

Rev. AV
Date: 05/20/25
C.N. No. 146570
Patent zurn.com/patents
Prod. | Dwg. No. FT641

Page 59 of 73

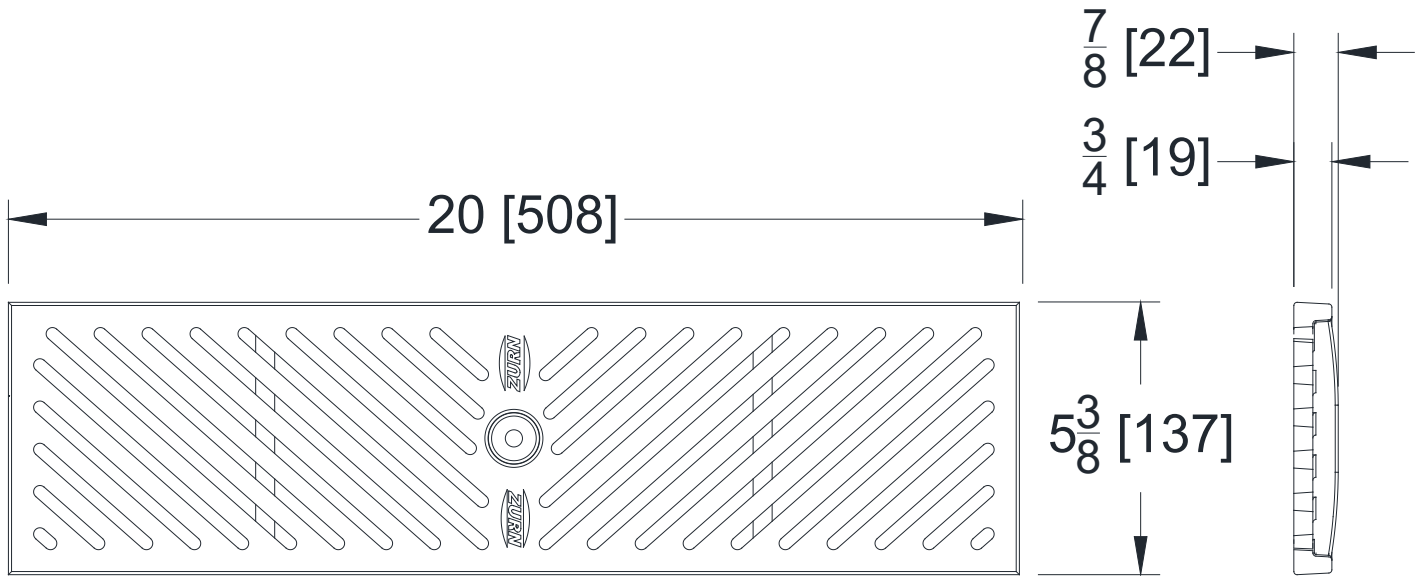


P6-SDD
6 [152] WIDE DECORATIVE GRATE

Design and Dimensional Data (inches and [mm]) are Subject to Manufacturing Tolerances and Change Without Notice

[Back to Index](#)

Please Check ✓	Item No.	Part Number	Item I.D.
—	59	67506	P6-SDD



ENGINEERING SPECIFICATION: ZURN P6-SDD

20" [508mm] X 5-3/8" [137mm] Stainless steel diagonal decorative grate weighing 6.3 lbs per linear foot [9.5kg/m]. The grate has an open area of 17.9 in² per linear foot [377cm²/m]. Grate conforms to DIN rating of B, ANSI rating of Medium-Duty, ADA Compliant and ASME A351 Grade CF8 TypeE 304 (Grade CF8M Type 316 by request).

SDD - Diagonal Decorative	
Material:	Type 304 Stainless Steel
DIN Rating:	Class B
Weight:	6.3 lbs/ft [9.5 kg/m]
Open Area:	17.9 in ² /ft [377 cm ² /m]
ANSI Rating:	Medium-Duty
Application:	Heel-Proof
Slot Width/Hole Size:	1/4" [6.4 mm]
ADA:	Yes
H-20:	No
FAA:	No

⚠ WARNING: Cancer and Reproductive Harm - www.P65Warnings.ca.gov

⚠ ADVERTENCIA: Cáncer y daño reproductivo - www.P65Warnings.ca.gov

⚠ AVERTISSEMENT: Cancer et effets néfastes sur la reproduction - www.P65Warnings.ca.gov

Zurn Industries, LLC | Specification Drainage Operation
1801 Pittsburgh Avenue, Erie, PA 16502, Ph. 855.663.9876

In Canada | Zurn Industries Limited
7900 Goreway Drive, Unit 10, Brampton, Ontario L6T 5W6, Ph. 877.892.5216

www.zurn.com

Rev. AV
Date: 05/20/25
C.N. No. 146570
Patent zurn.com/patents
Prod. | Dwg. No. FT641

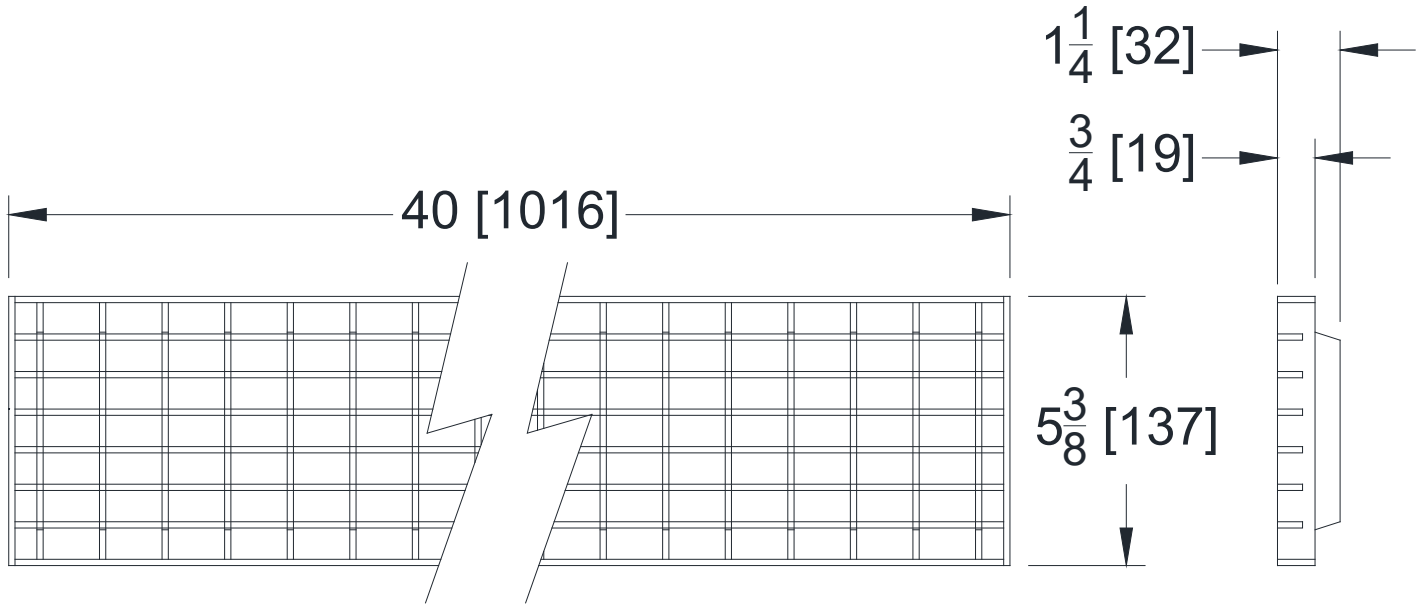


P6-SMG
6 [152] WIDE DECORATIVE GRATE

Design and Dimensional Data (inches and [mm]) are Subject to Manufacturing Tolerances and Change Without Notice

[Back to Index](#)

Please Check ✓	Item No.	Part Number	Item I.D.
—	60	64249	P6-SMG



ENGINEERING SPECIFICATION: ZURN P6-SMG

40" [1016mm] X 5-3/8" [137mm] Stainless steel mesh screen grate weighing 3.9 lbs per linear foot [5.9kg/m]. The grate has an open area of 47.0 in² per linear foot [994cm²/m]. Grate conforms to DIN rating of B, ANSI rating of Medium Duty and ASTM A351 Grade CF8 Type 304 (Grade CF8M Type 316 by request).

SMG - Mesh Screen	
Material:	Type 304 Stainless Steel
DIN Rating:	Class B
Weight:	3.9 lbs/ft [5.9 kg/m]
Open Area:	47.0 in ² /ft [994 cm ² /m]
ANSI Rating:	Medium-Duty
Application:	Sidewalks, Light Traffic
Slot Width/Hole Size:	1-1/8" [29 mm]
ADA:	No
H-20:	No
FAA:	No

⚠ WARNING: Cancer and Reproductive Harm - www.P65Warnings.ca.gov

⚠ ADVERTENCIA: Cáncer y daño reproductivo - www.P65Warnings.ca.gov

⚠ AVERTISSEMENT: Cancer et effets néfastes sur la reproduction - www.P65Warnings.ca.gov

Zurn Industries, LLC | Specification Drainage Operation
1801 Pittsburgh Avenue, Erie, PA 16502, Ph. 855.663.9876

In Canada | Zurn Industries Limited
7900 Goreway Drive, Unit 10, Brampton, Ontario L6T 5W6, Ph. 877.892.5216

www.zurn.com

Rev. AV
Date: 05/20/25
C.N. No. 146570
Patent zurn.com/patents
Prod. | Dwg. No. FT641

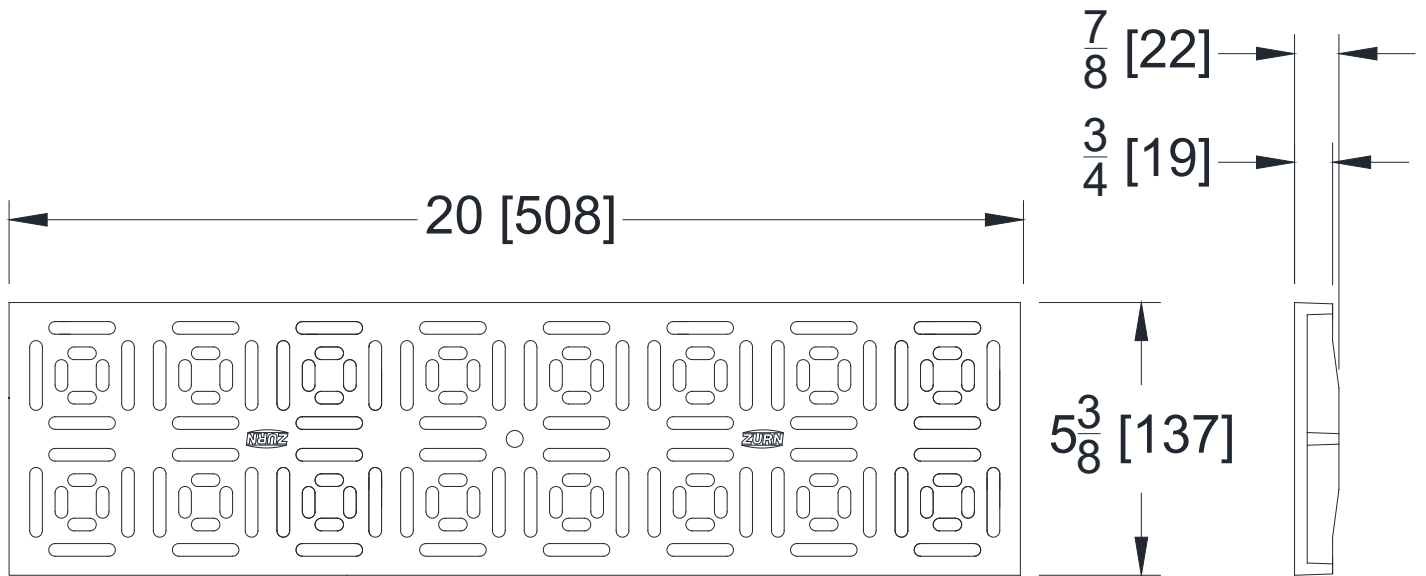


P6-SOG
6 [152] WIDE DECORATIVE GRATE

Design and Dimensional Data (inches and [mm]) are Subject to Manufacturing Tolerances and Change Without Notice

[Back to Index](#)

Please Check ✓	Item No.	Part Number	Item I.D.
___	61	64054	P6-SOG



ENGINEERING SPECIFICATION: ZURN P6-SOG

20" [508mm] X 5-3/8" [137mm] Stainless steel ornamental grate weighing 5.6 lbs per linear foot [8.2kg/m]. The grate has an open area of 16.9 in² per linear foot [357cm²/m]. Grate conforms to DIN rating of B, ANSI rating of Medium-Duty, ADA Compliant and ASTM A351 Grade CF8 Type 304 (Grade CF8M Type 316 by request).

SOG - Ornamental Grate	
Material:	Type 304 Stainless Steel
DIN Rating:	Class B
Weight:	5.6 lbs/ft [8.2 kg/m]
Open Area:	16.9 in ² /ft [357 cm ² /m]
ANSI Rating:	Medium-Duty
Application:	Decorative Heel-Proof
Slot Width/Hole Size:	1/4" [6.4mm]
ADA:	Yes
H-20:	No
FAA:	No

⚠ WARNING: Cancer and Reproductive Harm - www.P65Warnings.ca.gov

⚠ ADVERTENCIA: Cáncer y daño reproductivo - www.P65Warnings.ca.gov

⚠ AVERTISSEMENT: Cancer et effets néfastes sur la reproduction - www.P65Warnings.ca.gov

Zurn Industries, LLC | Specification Drainage Operation
1801 Pittsburgh Avenue, Erie, PA 16502, Ph. 855.663.9876

In Canada | Zurn Industries Limited
7900 Goreway Drive, Unit 10, Brampton, Ontario L6T 5W6, Ph. 877.892.5216

www.zurn.com

Rev. AV
Date: 05/20/25
C.N. No. 146570
Patent zurn.com/patents
Prod. | Dwg. No. FT641

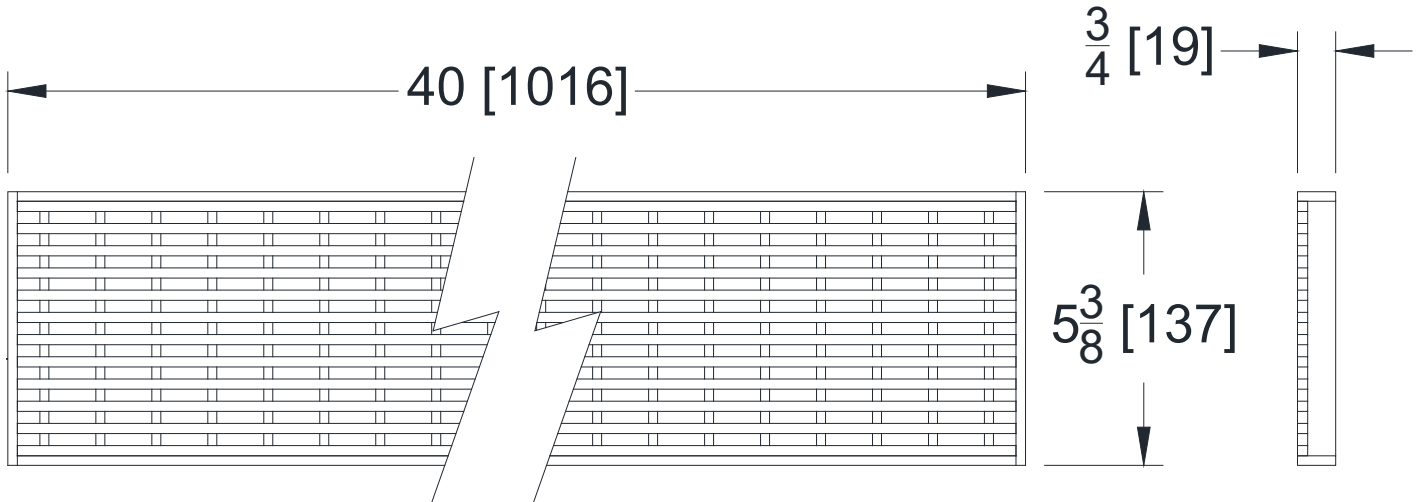


P6-SWGB
6 [152] WIDE DECORATIVE GRATE

Design and Dimensional Data (inches and [mm]) are Subject to Manufacturing Tolerances and Change Without Notice

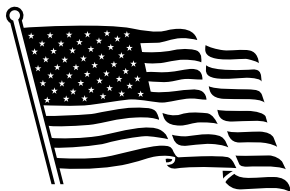
[Back to Index](#)

Please Check ✓	Item No.	Part Number	Item I.D.
___	62	317729	P6-SWGB



ENGINEERING SPECIFICATION: ZURN P6-SWGB

40" [1016mm] X 5-3/8" [137mm] Stainless steel wire grate weighing 2.84 lbs per linear foot [4.2kg/m]. The grate has an open area of 28.2 in² per linear foot [597cm²/m]. Grate conforms to DIN rating of B, ANSI rating of Medium-Duty, ADA Compliant* and ASTM specification A-240 Type 304.



MADE IN THE USA

SWGB - Wire Grate	
Material:	Type 304 Stainless Steel
DIN Rating:	Class B
Weight:	2.8 lbs/ft [4.2 kg/m]
Open Area:	28.2 in ² /ft [597 cm ² /m]
ANSI Rating:	Medium-Duty
Application:	Decorative Heel-Proof
Slot Width/Hole Size:	1/4" [6.4mm]
ADA:	Yes*
H-20:	No
FAA:	No

* Elongated openings must be placed perpendicular to the dominant direction of travel.

⚠ WARNING: Cancer and Reproductive Harm - www.P65Warnings.ca.gov

⚠ ADVERTENCIA: Cáncer y daño reproductivo - www.P65Warnings.ca.gov

⚠ AVERTISSEMENT: Cancer et effets néfastes sur la reproduction - www.P65Warnings.ca.gov

Zurn Industries, LLC | Specification Drainage Operation
1801 Pittsburgh Avenue, Erie, PA 16502, Ph. 855.663.9876

In Canada | Zurn Industries Limited
7900 Goreway Drive, Unit 10, Brampton, Ontario L6T 5W6, Ph. 877.892.5216

www.zurn.com

Rev. AV
Date: 05/20/25
C.N. No. 146570
Patent zurn.com/patents
Prod. | Dwg. No. FT641

Page 63 of 73



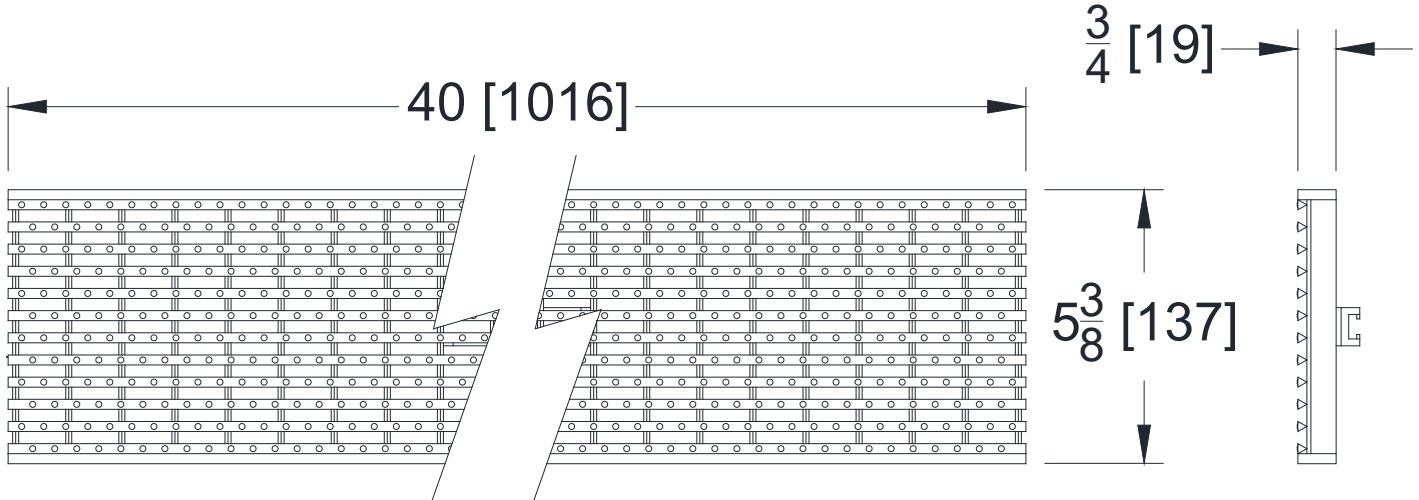
P6-SWGB-AS

6 [152] WIDE DECORATIVE GRATE W/ ANTI-SLIP BUMPS

Design and Dimensional Data (inches and [mm]) are Subject to Manufacturing Tolerances and Change Without Notice

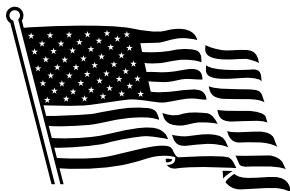
[Back to Index](#)

Please Check ✓	Item No.	Part Number	Item I.D.
___	63	321190	P6-SWGB-AS



ENGINEERING SPECIFICATION: ZURN P6-SWGB-AS

40" [1016mm] X 5-3/8" [137mm] Stainless steel wire grate weighing 2.84 lbs per linear foot [4.2kg/m]. The grate has an open area of 30.9 in² per linear foot [654 cm²/m]. Grate conforms to DIN rating of B, ANSI rating of Medium-Duty, ADA Compliant* and ASTM specification A-240 Type 304. Grates complete with Anti-Slip bumps.



MADE IN THE USA

SWGB-AS - Anti-Slip Wire Grate	
Material:	Type 304 Stainless Steel
DIN Rating:	Class B
Weight:	2.8 lbs/ft [4.2 kg/m]
Open Area:	30.9 in ² /ft [654 cm ² /m]
ANSI Rating:	Medium-Duty
Application:	Decorative Heel-Proof
Slot Width/Hole Size:	1/4" [6.4mm]
ADA:	Yes*
H-20:	No
FAA:	No

* Elongated openings must be placed perpendicular to the dominant direction of travel.

⚠ WARNING: Cancer and Reproductive Harm - www.P65Warnings.ca.gov

⚠ ADVERTENCIA: Cáncer y daño reproductivo - www.P65Warnings.ca.gov

⚠ AVERTISSEMENT: Cancer et effets néfastes sur la reproduction - www.P65Warnings.ca.gov

Zurn Industries, LLC | Specification Drainage Operation
1801 Pittsburgh Avenue, Erie, PA 16502, Ph. 855.663.9876

In Canada | Zurn Industries Limited
7900 Goreway Drive, Unit 10, Brampton, Ontario L6T 5W6, Ph. 877.892.5216

www.zurn.com

Rev. AV
Date: 05/20/25
C.N. No. 146570
Patent zurn.com/patents
Prod. | Dwg. No. FT641

Page 64 of 73



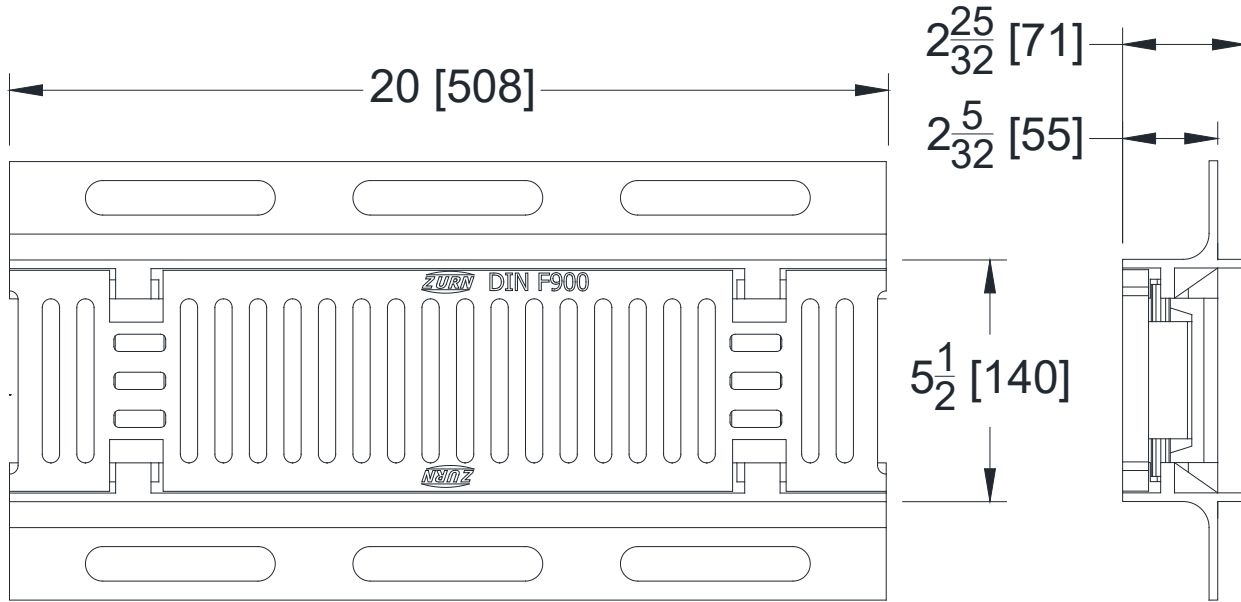
P886-FGF
6 [152] WIDE GRATE

Design and Dimensional Data (inches and [mm]) are Subject to Manufacturing Tolerances and Change Without Notice

[Back to Index](#)

Please Check ✓	Item No.	Part Number	Item I.D.
—	64	64354, 64355	P886-FGF

* ONLY AVAILABLE WITH Z886 TRENCH DRAIN SYSTEM



ENGINEERING SPECIFICATION: ZURN P886-FGF

20" [508mm] X 5-1/2" [140mm] Ductile Iron frame and grate weighing 18.7 lbs per linear foot [27.9kg/m]. The grate has an open area of 20.5 in² per linear foot [433cm²/m]. Frame and grate conforms to DIN rating of F, ANSI rating of Special-Duty, H-20 and FAA load rated, and ASTM A536 Grade 80-55-06.

FGF - Ductile Frame & Grate	
Material:	Ductile Iron
DIN Rating:	Class F
Weight:	18.7 lbs/ft [27.9 kg/m]
Open Area:	20.5 in ² /ft [433 cm ² /m]
ANSI Rating:	Special-Duty
Application:	Extra Heavy Loads
Slot Width/Hole Size:	3/8" [9.5 mm]
ADA:	No
H-20:	Yes
FAA:	Yes

⚠ WARNING: Cancer and Reproductive Harm - www.P65Warnings.ca.gov

⚠ ADVERTENCIA: Cáncer y daño reproductivo - www.P65Warnings.ca.gov

⚠ AVERTISSEMENT: Cancer et effets néfastes sur la reproduction - www.P65Warnings.ca.gov



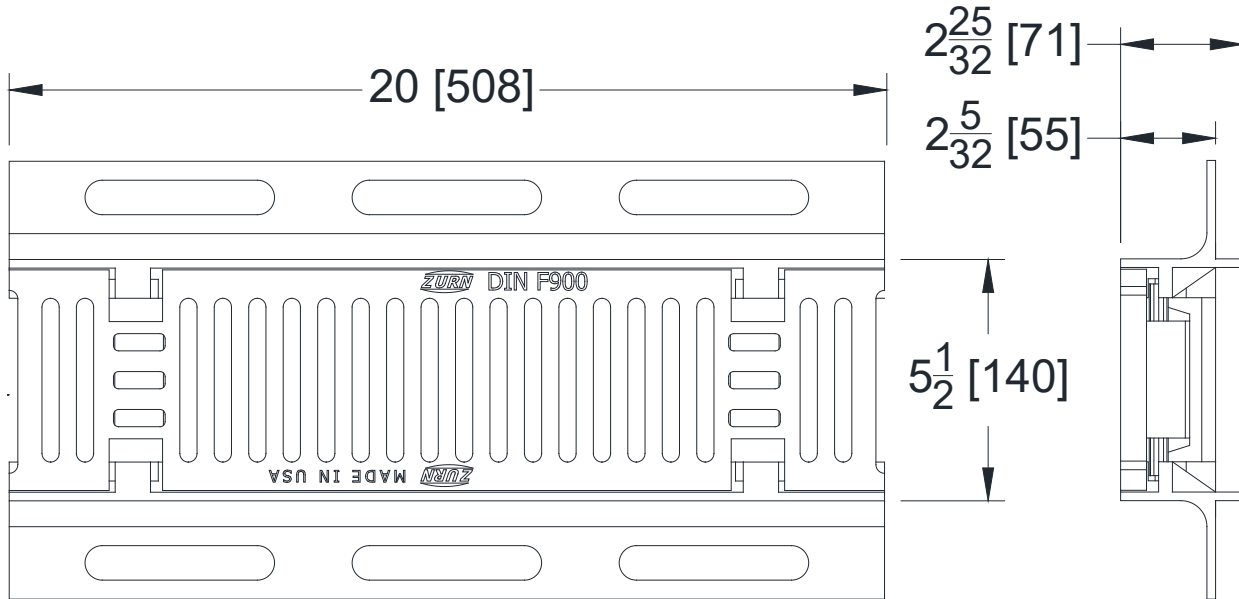
P886-FGF-USA
6 [152] WIDE DOMESTIC GRATE

Design and Dimensional Data (inches and [mm]) are Subject to Manufacturing Tolerances and Change Without Notice

[Back to Index](#)

Please Check ✓	Item No.	Part Number	Item I.D.
—	65	64254, 64255	P886-FGF-USA

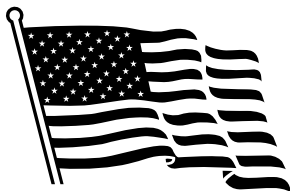
* ONLY AVAILABLE WITH Z886 TRENCH DRAIN SYSTEM



ENGINEERING SPECIFICATION: ZURN P886-FGF-USA

20" [508mm] X 5-1/2" [140mm] Ductile Iron frame and grate weighing 18.7 lbs per linear foot [27.9kg/m]. The grate has an open area of 20.5 in² per linear foot [433cm²/m]. Frame and grate conforms to DIN rating of F, ANSI rating of Special-Duty, H-20 and FAA load rated and ASTM A536 Grade 80-55-06.

** Grate is shipped unpainted unless otherwise specified.



MADE IN THE USA

FGF-USA - Ductile Iron Frame & Grate	
Material:	Ductile Iron
DIN Rating:	Class F
Weight:	18.7 lbs/ft [27.9 kg/m]
Open Area:	20.5 in ² /ft [433 cm ² /m]
ANSI Rating:	Special-Duty
Application:	Extra Heavy Load
Slot Width/Hole Size:	3/8" [9.5 mm]
ADA:	No
H-20:	Yes
FAA:	Yes

⚠ WARNING: Cancer and Reproductive Harm - www.P65Warnings.ca.gov

⚠ ADVERTENCIA: Cáncer y daño reproductivo - www.P65Warnings.ca.gov

⚠ AVERTISSEMENT: Cancer et effets néfastes sur la reproduction - www.P65Warnings.ca.gov



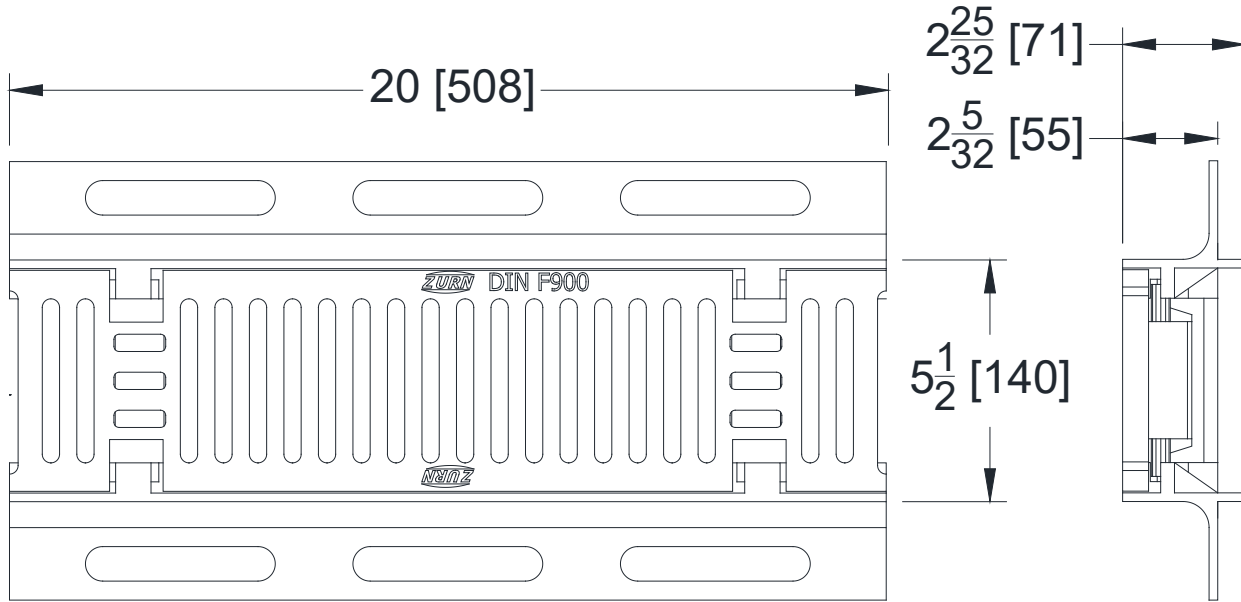
P886-GFG
6 [152] WIDE GRATE

Design and Dimensional Data (inches and [mm]) are Subject to Manufacturing Tolerances and Change Without Notice

[Back to Index](#)

Please Check ✓	Item No.	Part Number	Item I.D.
—	66	64354, 64355	P886-GFG

* ONLY AVAILABLE WITH Z886 TRENCH DRAIN SYSTEM



ENGINEERING SPECIFICATION: ZURN P886-GFG

20" [508mm] X 5-1/2" [140mm] Galvanized Ductile Iron frame and grate weighing 18.7 lbs per linear foot [27.9kg/m]. The grate has an open area of 20.5 in² per linear foot [433cm²/m]. Frame and grate conforms to DIN rating of F, ANSI rating of Special-Duty, H-20 and FAA load rated and ASTM A536 Grade 80-55-06. Galvanized (hot dip) conforms to ASTM A123.

GFG - Galvanized Ductile Frame & Grate	
Material:	Galvanized Ductile Iron
DIN Rating:	Class F
Weight:	18.7 lbs/ft [27.9 kg/m]
Open Area:	20.5 in ² /ft [433 cm ² /m]
ANSI Rating:	Special-Duty
Application:	Extra Heavy Loads
Slot Width/Hole Size:	3/8" [9.5 mm]
ADA:	No
H-20:	Yes
FAA:	Yes

⚠ WARNING: Cancer and Reproductive Harm - www.P65Warnings.ca.gov

⚠ ADVERTENCIA: Cáncer y daño reproductivo - www.P65Warnings.ca.gov

⚠ AVERTISSEMENT: Cancer et effets néfastes sur la reproduction - www.P65Warnings.ca.gov



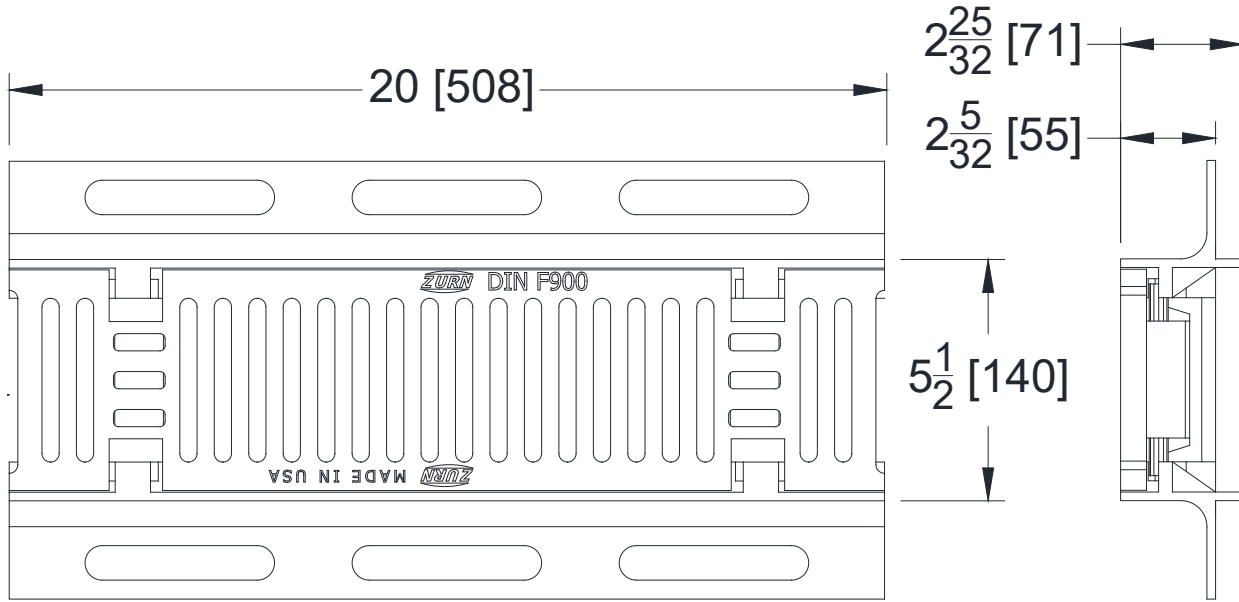
P886-GFG-USA
6 [152] WIDE DOMESTIC GRATE

Design and Dimensional Data (inches and [mm]) are Subject to Manufacturing Tolerances and Change Without Notice

[Back to Index](#)

Please Check ✓	Item No.	Part Number	Item I.D.
—	67	64254, 64255	P886-GFG-USA

* ONLY AVAILABLE WITH Z886 TRENCH DRAIN SYSTEM



ENGINEERING SPECIFICATION: ZURN P886-GFG-USA

20" [508mm] X 5-1/2" [140mm] Galvanized Ductile Iron frame and grate weighing 18.7 lbs per linear foot [27.9kg/m]. The grate has an open area of 20.5 in² per linear foot [433cm²/m]. Frame and grate conforms to DIN rating of F, ANSI rating of Special-Duty, H-20 and FAA load rated ASTM A536 Grade 80-55-06. Galvanized (hot dip) conforms to ASTM A123.



GFG-USA - Galvanized Ductile Iron Frame & Grate	
Material:	Galvanized Ductile Iron
DIN Rating:	Class F
Weight:	18.7 lbs/ft [27.9 kg/m]
Open Area:	20.5 in ² /ft [433 cm ² /m]
ANSI Rating:	Special-Duty
Application:	Extra Heavy Load
Slot Width/Hole Size:	3/8" [9.5 mm]
ADA:	No
H-20:	Yes
FAA:	Yes

- ⚠ WARNING:** Cancer and Reproductive Harm - www.P65Warnings.ca.gov
- ⚠ ADVERTENCIA:** Cáncer y daño reproductivo - www.P65Warnings.ca.gov
- ⚠ AVERTISSEMENT:** Cancer et effets néfastes sur la reproduction - www.P65Warnings.ca.gov



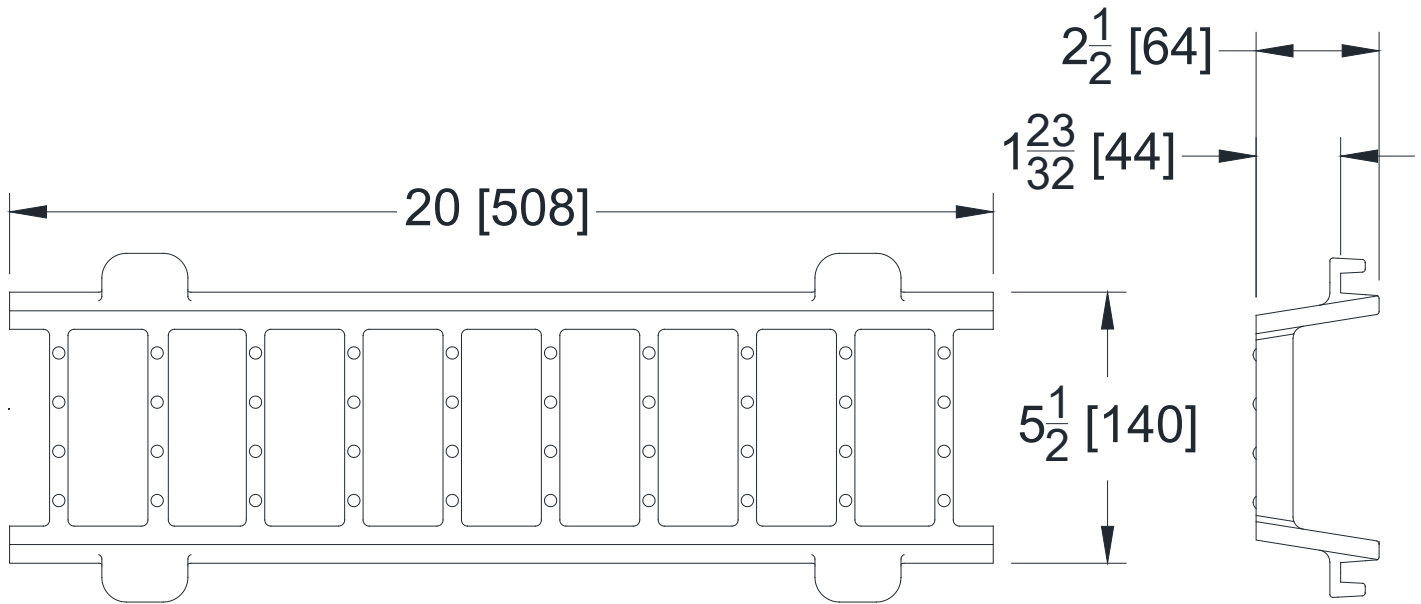
P886-HDD
6 [152] WIDE DOMESTIC GRATE

Design and Dimensional Data (inches and [mm]) are Subject to Manufacturing Tolerances and Change Without Notice

[Back to Index](#)

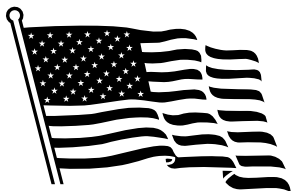
Please Check ✓	Item No.	Part Number	Item I.D.
—	68	94045	P886-HDD

* ONLY AVAILABLE WITH Z886 TRENCH DRAIN SYSTEM



ENGINEERING SPECIFICATION: ZURN P886-HDD

20" [508mm] X 5-1/2" [140mm] Ductile Iron fixed grate weighing 7.7 lbs per linear foot [11.5kg/m]. The grate has an open area of 38.8 in² per linear foot [820cm²/m]. DIN rating of C, ANSI rating of Heavy-Duty, H-20/H-25 load rated and ASTM A536 Grade 80-55-06.



MADE IN THE USA

HDD - Fixed Grate	
Material:	Ductile Iron
DIN Rating:	Class C
Weight:	7.7 lbs/ft [11.5 kg/m]
Open Area:	38.8 in ² /ft [820 cm ² /m]
ANSI Rating:	Heavy-Duty
Application:	Highways, Parking Lots
Slot Width/Hole Size:	1-3/4" [44 mm]
ADA:	No
H-20:	Yes
FAA:	No

⚠ WARNING: Cancer and Reproductive Harm - www.P65Warnings.ca.gov

⚠ ADVERTENCIA: Cáncer y daño reproductivo - www.P65Warnings.ca.gov

⚠ AVERTISSEMENT: Cancer et effets néfastes sur la reproduction - www.P65Warnings.ca.gov



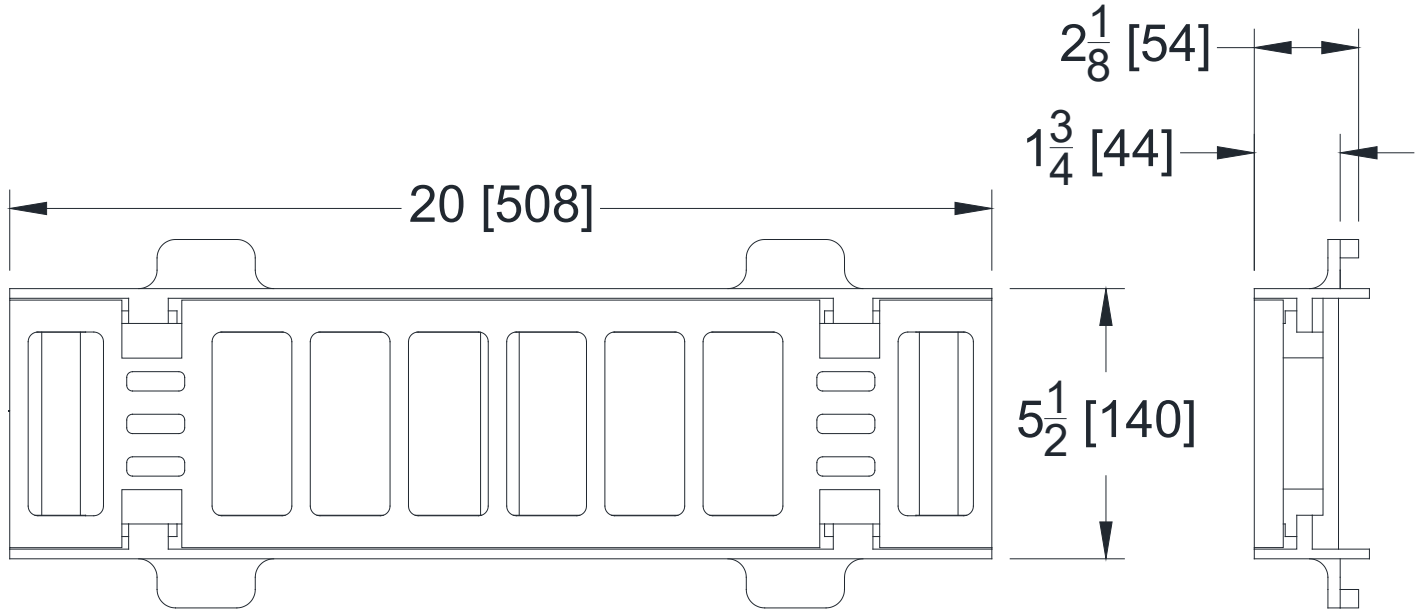
P886-HR
6 [152] WIDE DOMESTIC GRATE

Design and Dimensional Data (inches and [mm]) are Subject to Manufacturing Tolerances and Change Without Notice

[Back to Index](#)

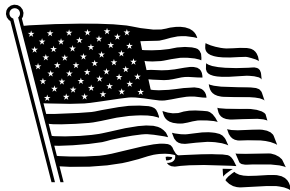
Please Check ✓	Item No.	Part Number	Item I.D.
—	69	94066	P886-HR

* ONLY AVAILABLE WITH Z886 TRENCH DRAIN SYSTEM



ENGINEERING SPECIFICATION: ZURN P886-HR

20" [508mm] X 5-1/2" [140mm] Ductile Iron removable frame and grate weighing 12.3 lbs per linear foot [18.4kg/m]. The grate has an open area of 32.8 in² per linear foot [695cm²/m]. Frame and grate conforms to DIN rating of C, ANSI rating of Heavy-Duty, H-20/H-25 load rated and ASTM A536 Grade 80-55-06.



MADE IN THE USA

HR - Removable Grate	
Material:	Ductile Iron
DIN Rating:	Class C
Weight:	12.3 lbs/ft [18.4 kg/m]
Open Area:	32.8 in ² /ft [695 cm ² /m]
ANSI Rating:	Heavy-Duty
Application:	Highways, Parking Lots
Slot Width/Hole Size:	1-5/8" [41 mm]
ADA:	No
H-20:	Yes
FAA:	No

⚠ WARNING: Cancer and Reproductive Harm - www.P65Warnings.ca.gov

⚠ ADVERTENCIA: Cáncer y daño reproductivo - www.P65Warnings.ca.gov

⚠ AVERTISSEMENT: Cancer et effets néfastes sur la reproduction - www.P65Warnings.ca.gov

Zurn Industries, LLC | Specification Drainage Operation
1801 Pittsburgh Avenue, Erie, PA 16502, Ph. 855.663.9876

In Canada | Zurn Industries Limited
7900 Goreway Drive, Unit 10, Brampton, Ontario L6T 5W6, Ph. 877.892.5216

www.zurn.com

Rev. AV
Date: 05/20/25
C.N. No. 146570
Patent zurn.com/patents
Prod. | Dwg. No. FT641



P886-PVS

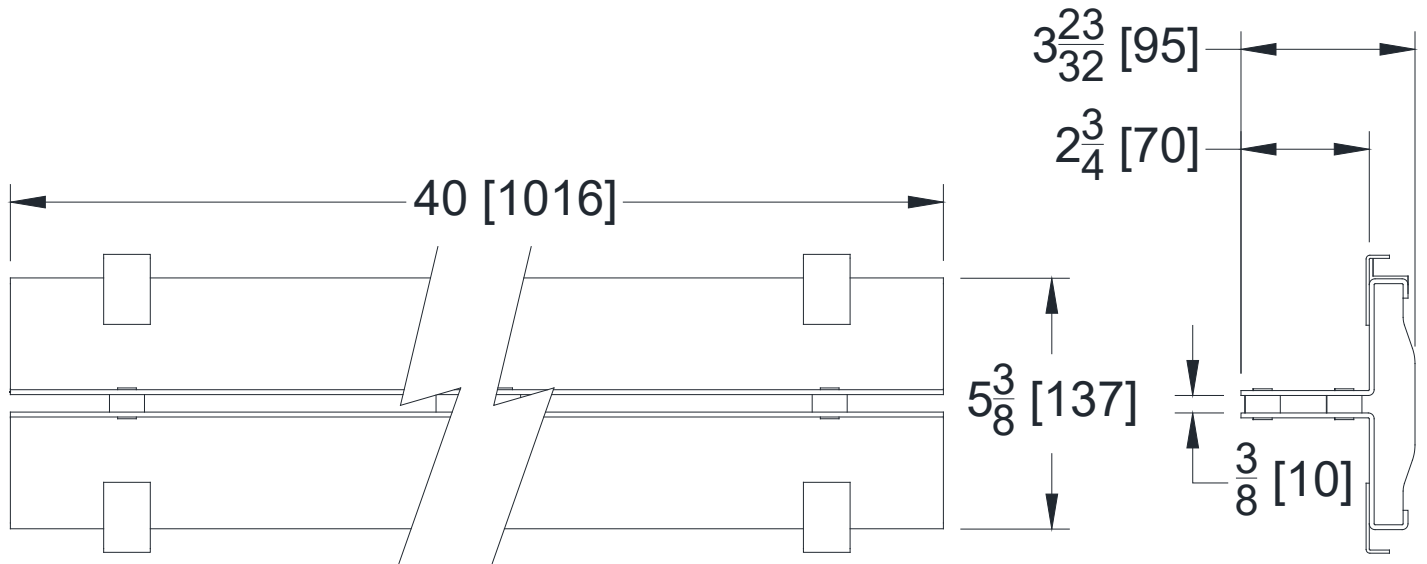
6 [152] WIDE DOMESTIC DECORATIVE GRATE

Design and Dimensional Data (inches and [mm]) are Subject to Manufacturing Tolerances and Change Without Notice

[Back to Index](#)

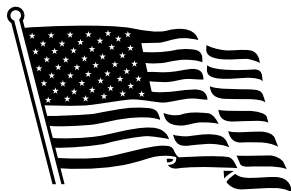
Please Check ✓	Item No.	Part Number	Item I.D.
___	70	94287	P886-PVS

* ONLY AVAILABLE WITH Z886 TRENCH DRAIN SYSTEM



ENGINEERING SPECIFICATION: ZURN P886-PVS

40" [1016mm] X 5-3/8" [137 mm] Fabricated steel paver slot grate weighing 4.6 lbs per linear foot [6.9kg/m]. The grate has an open area of 6.0 in² per linear foot [128cm²/m]. Grate conforms to DIN rating of B, ANSI rating of Medium-Duty, ADA compliant and ASTM A36.



MADE IN THE USA

PVS - Paver Slot Grate	
Material:	Carbon Steel
DIN Rating:	Class B
Weight:	4.6 lbs/ft [6.9 kg/m]
Open Area:	6.0 in ² /ft [128 cm ² /m]
ANSI Rating:	Medium-Duty
Application:	Sidewalks, Light Traffic
Slot Width/Hole Size:	1/2" [12.7 mm]
ADA:	Yes*
H-20:	No
FAA:	No

* Elongated openings must be placed perpendicular to the dominant direction of travel.

WARNING: Cancer and Reproductive Harm - www.P65Warnings.ca.gov

ADVERTENCIA: Cáncer y daño reproductivo - www.P65Warnings.ca.gov

AVERTISSEMENT: Cancer et effets néfastes sur la reproduction - www.P65Warnings.ca.gov

Zurn Industries, LLC | Specification Drainage Operation
1801 Pittsburgh Avenue, Erie, PA 16502, Ph. 855.663.9876

In Canada | Zurn Industries Limited
7900 Goreway Drive, Unit 10, Brampton, Ontario L6T 5W6, Ph. 877.892.5216

www.zurn.com

Rev. AV
Date: 05/20/25
C.N. No. 146570
Patent zurn.com/patents
Prod. | Dwg. No. FT641

Page 71 of 73



P886-PVSG

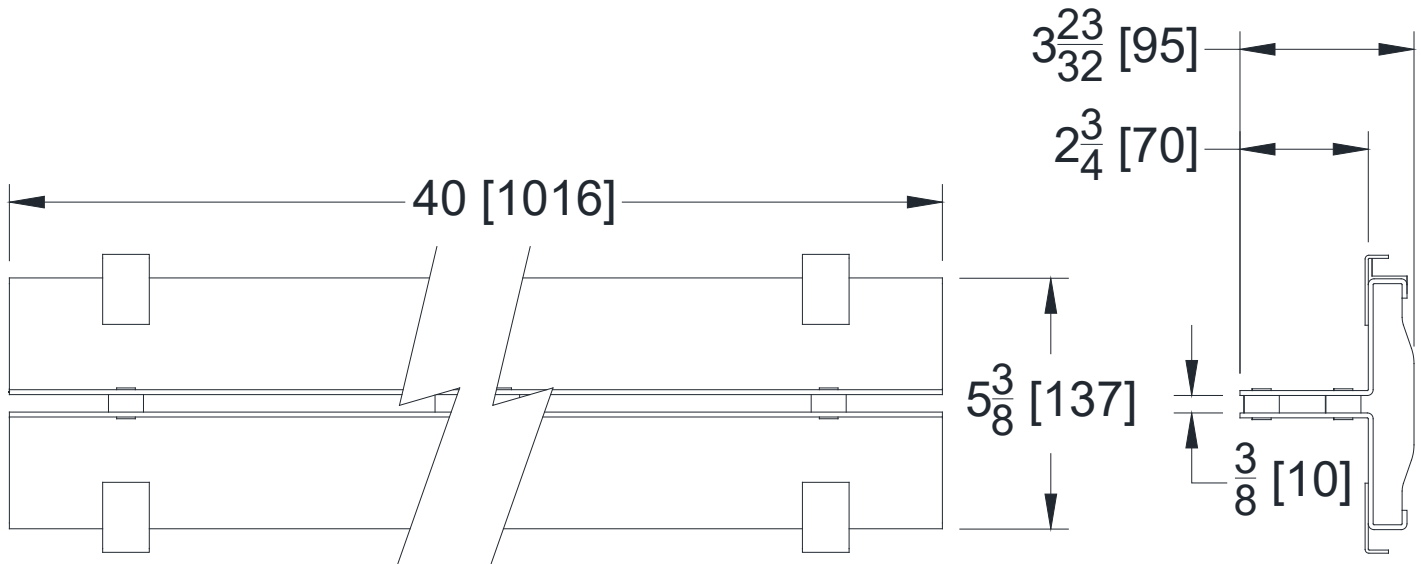
6 [152] WIDE DOMESTIC DECORATIVE GRATE

Design and Dimensional Data (inches and [mm]) are Subject to Manufacturing Tolerances and Change Without Notice

[Back to Index](#)

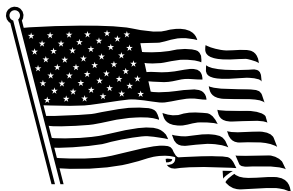
Please Check ✓	Item No.	Part Number	Item I.D.
___	71	94287	P886-PVSG

* ONLY AVAILABLE WITH Z886 TRENCH DRAIN SYSTEM



ENGINEERING SPECIFICATION: ZURN P886-PVSG

40" [1016mm] X 5-3/8" [137mm] Fabricated galvanized steel paver slot grate weighing 4.6 lbs per linear foot [6.9kg/m]. The grate has an open area of 6.0 in² per linear foot [128cm²/m]. Grate conforms to DIN rating of B, ANSI rating of Medium-Duty, ADA compliant* and ASTM A36. Galvanized (hot dip) conforms to ASTM A123.



MADE IN THE USA

PVSG - Paver Slot Grate	
Material:	Galvanized Steel
DIN Rating:	Class B
Weight:	4.6 lbs/ft [6.9 kg/m]
Open Area:	6.0 in ² /ft [128 cm ² /m]
ANSI Rating:	Medium-Duty
Application:	Sidewalks, Light Traffic
Slot Width/Hole Size:	1/2" [12.7 mm]
ADA:	Yes*
H-20:	No
FAA:	No

* Elongated openings must be placed perpendicular to the dominant direction of travel.

⚠ WARNING: Cancer and Reproductive Harm - www.P65Warnings.ca.gov

⚠ ADVERTENCIA: Cáncer y daño reproductivo - www.P65Warnings.ca.gov

⚠ AVERTISSEMENT: Cancer et effets néfastes sur la reproduction - www.P65Warnings.ca.gov



P886-PVSS

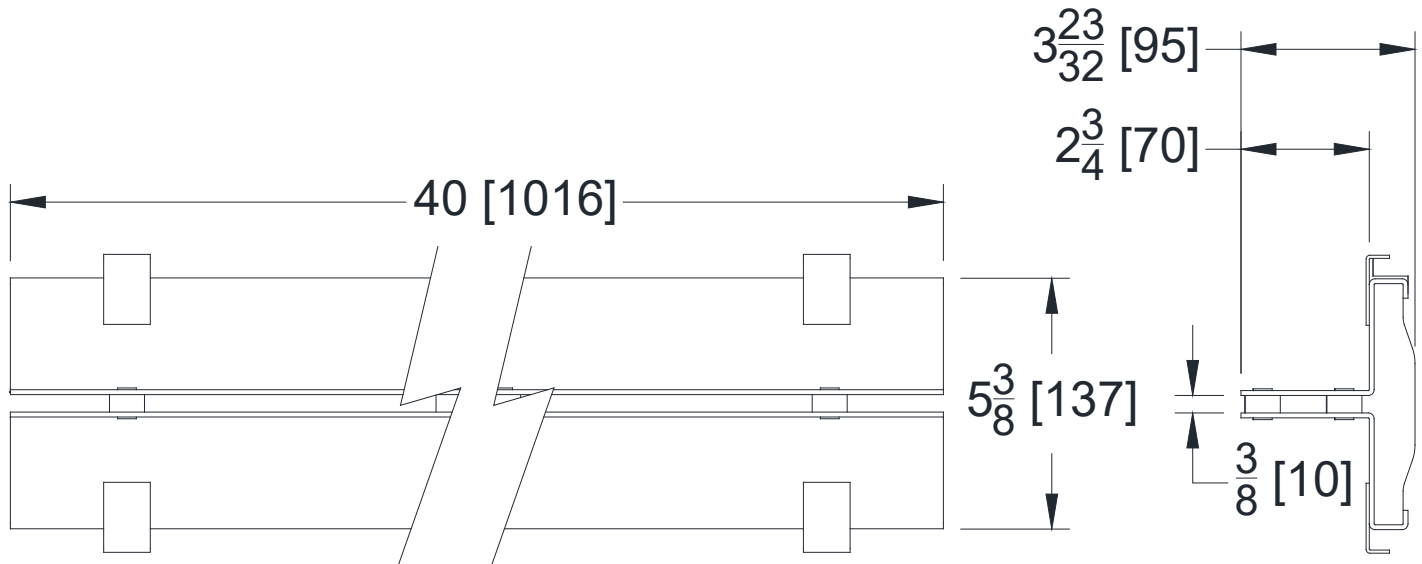
6 [152] WIDE DOMESTIC DECORATIVE GRATE

Design and Dimensional Data (inches and [mm]) are Subject to Manufacturing Tolerances and Change Without Notice

[Back to Index](#)

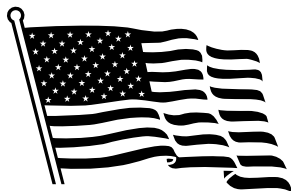
Please Check ✓	Item No.	Part Number	Item I.D.
___	72	94287	P886-PVSS

* ONLY AVAILABLE WITH Z886 TRENCH DRAIN SYSTEM



ENGINEERING SPECIFICATION: ZURN P886-PVSS

40" [1016mm] X 5-3/8" [137mm] Fabricated stainless steel paver slot grate weighing 4.7 lbs per linear foot [6.9kg/m]. The grate has an open area of 6.0 in² per linear foot [128cm²/m]. Grate conforms to DIN rating of B, ANSI rating of Medium-Duty, ADA compliant* and ASTM A-240 Type 304 (316 by request).



MADE IN THE USA

PVSS - Paver Slot Grate	
Material:	Tyle 304 Stainless Steel
DIN Rating:	Class B
Weight:	4.6 lbs/ft [6.9 kg/m]
Open Area:	6.0 in ² /ft [128 cm ² /m]
ANSI Rating:	Medium-Duty
Application:	Sidewalks, Light Traffic
Slot Width/Hole Size:	1/2" [12.7 mm]
ADA:	Yes*
H-20:	No
FAA:	No

* Elongated openings must be places perpendicular to the dominant direction of travel.

⚠ WARNING: Cancer and Reproductive Harm - www.P65Warnings.ca.gov

⚠ ADVERTENCIA: Cáncer y daño reproductivo - www.P65Warnings.ca.gov

⚠ AVERTISSEMENT: Cancer et effets néfastes sur la reproduction - www.P65Warnings.ca.gov

Zurn Industries, LLC | Specification Drainage Operation
1801 Pittsburgh Avenue, Erie, PA 16502, Ph. 855.663.9876

In Canada | Zurn Industries Limited
7900 Goreway Drive, Unit 10, Brampton, Ontario L6T 5W6, Ph. 877.892.5216

www.zurn.com

Rev. AV
Date: 05/20/25
C.N. No. 146570
Patent zurn.com/patents
Prod. | Dwg. No. FT641

Page 73 of 73