

Read all instructions BEFORE assembly and USE of product.

**KEEP INSTRUCTIONS FOR FUTURE USE.**

**NURSERY**  
WORKS

**GRADIENT CRIB**

*Instruction Manual*

**NW14001**

REVISED 21 MAR 2023

*Nursery Works is a purveyor of cutting-edge juvenile products. Created for the ultra-chic, Nursery Works aims to bring high design into the nursery. Our designers work, whenever possible, in close collaboration with highly skilled craftspeople to build each piece. Our products are made in low production runs that allow us to employ methods and materials that would be unavailable in typical mass production. We take pride in presenting new materials to the children's industry that raise the bar in design, quality, and functionality for parents and babies around the world.*

## **THE PRODUCT AND MANUFACTURING PROCESS**

With each product, Nursery Works strives to explore new materials and processes, including non-toxic, recyclable acrylic, CNC-milled maple, 24K gold-plated aluminum, custom marble/granite and powder-coated stainless steel. In addition, many of our solid wood cribs are bench-made in small shops using traditional joinery techniques that cannot be accomplished in mass production. For other cribs, we employ precise CNC milling that allows us to realize designs that were previously unimaginable. This combination of the latest fabrication technology with traditional techniques and our cutting-edge designs is unique to Nursery Works. Low- and no-VOC finishes are used across all our products and our products are tested to governmental standards on an annual basis.

Please note that due to the handcrafted nature of our products and our use of solid woods, each piece is unique and may possess color variations and irregular wood grain or surface texture. These natural characteristics are part of the beauty of real wood, are not considered manufacturing defects and do not merit replacements.

## **MAINTENANCE AND CLEANING**

To preserve the quality of your Nursery Works furniture we recommend periodically wiping with a damp, lint-free cotton cloth. Avoid getting the wood wet. Avoid furniture polish or cleaning sprays as they may change the sheen of the wood finish. Wood expands and contracts with temperature and humidity. Avoid placing the furniture in direct sunlight or near a heating or air conditioning vent.

Touch up kits are available upon request by contacting Nursery Works at: 323-688-3678 or ([info@nurseryworks.net](mailto:info@nurseryworks.net)).

## **IMPORTANT NOTE**

Improper assembly can result in damage to your furniture or cause harm to your child. Proper assembly is critical to ensure a safe and comfortable end result. Please read all instructions before assembly and keep instructions for future use.

Thank you for purchasing Nursery Works. For any questions or assistance, please contact us at 323-688-3678, or via email at [info@nurseryworks.net](mailto:info@nurseryworks.net). For additional information on our Purchase Terms and Conditions, please visit [www.nurseryworks.net](http://www.nurseryworks.net). Your authorized Nursery Works retailer will also be happy to assist you.

# **WARNING**

*Please read the Caution  
and Warning Statements  
insert before using your crib.*



## **WARNING**

Failure to follow these warnings and the assembly instructions could result in serious injury or death.

**READ ALL INSTRUCTIONS BEFORE ASSEMBLING  
CRIB. KEEP THE MANUAL FOR FUTURE USE.**

## **WARNING**

### **INFANTS CAN SUFFOCATE**

- In gaps between a mattress too small or too thick and product sides
- On soft bedding

**NEVER** add a mattress, pillow, comforter, or padding.

# **WARNING**

***Parents should ensure a safe environment for the child by checking regularly, before placing the child in the product, that every component is properly and securely in place.***

- The product, including side rails, must be fully erected prior to use.
- Strings can cause strangulation! Never place items with a string around a child's neck such as hood strings or pacifier cords. Never suspend strings over product or attach strings to toys.
- Discontinue use of the product when child is able to climb out or reaches the height of 35in. (90cm).
- Child can become entrapped and die when improvised netting or covers are placed on top of a product. Never add such items to confine child in product.
- When child is able to pull to standing position, set mattress/ base to lowest adjustment position and remove large toys and other objects that could serve as steps for climbing out.
- Never place product near a window where cords from blinds or drapes can strangle a child.
- Use ONLY mattress/pad provided by manufacturer (which must be at least 53 in. long by 25 in. wide and not more than 5 in. thick).
- Check proper fit of mattress. Should be not more than 5 inches thick. The maximum gap between mattress and inside of crib border (or edge) should be no more than 1 inch.
- Always provide the supervision necessary for the continued safety of your child. When used for playing, never leave child unattended.
- To reduce the risk of SIDS, pediatricians recommend healthy infants be placed on their back to sleep, unless otherwise advised by your physician.

- Never use this product if there are any loose or missing fasteners, loose joints, broken parts, or torn mesh/fabric. Check before assembly and periodically during use. Contact **Nursery Works** for replacement parts and instructional literature if needed. DO NOT substitute parts.
- Never use plastic shipping bags or other plastic film as mattress covers not sold and intended for that purpose. They can cause suffocation.
- Never use a water mattress with this product.
- If refinishing, use a nontoxic finish specified for children's products.



## **WARNING**

Please do NOT remove any wood screws in the normal disassembly of the crib.

## **CAUTION:**

Use ONLY mattress/pad provided by manufacturer (which must be at least 53 in. long by 25 in. wide and not more than 5 in. thick).

## ONE YEAR LIMITED WARRANTY

We will replace any missing parts at the time of purchase or any defective item within a one year period from the date of original purchase. Please keep your receipt so that we may process your warranty request. This warranty only covers new units with original packaging and ownership, and is not transferable. It does not cover any used, secondhand or demo models.

This warranty does not cover any damaged or defective parts that result from installation and assembly, normal wear and tear, abuse, negligence, improper use or alteration to the finish, design, and hardware of the crib. The specific legal rights of this warranty may vary from state to state. Some states do not allow any exclusion or limitation of incidental damages. Some states do not allow limitation on how long an implied warranty lasts.

---

Registering your product is even easier than before! You can register your product on our website at: [www.nurseryworks.net](http://www.nurseryworks.net).

IF YOU WOULD LIKE TO ORDER REPLACEMENT OR MISSING PARTS, PLEASE VISIT US AT:

**[WWW.NURSERYWORKS.NET/PARTS](http://WWW.NURSERYWORKS.NET/PARTS)**

OR CONTACT US BY MAIL:

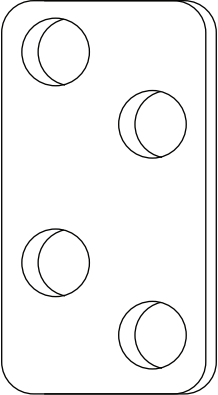
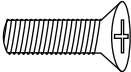
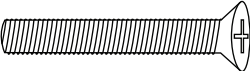
**8700 Rex Rd. Pico Rivera, CA 90660**

**Tel: 323-688-3678**

# GRADIENT CRIB

## *Hardware and Tools List*

- Be sure you follow the instructions in the order that they appear.
- To avoid possible scratching, assemble furniture on a soft surface (like a carpet or blanket).
- Phillips screwdriver required for assembly (not included).
- Be careful not to over tighten screws.

Hardware & Tools	Ref. No	Description
	A x 8	Bracket (pre-assembled)
	B x 48	Screw (1.6 cm/0.625") (pre-assembled)
	C x 4	Screw (3.2 cm/1.25") (pre-assembled)



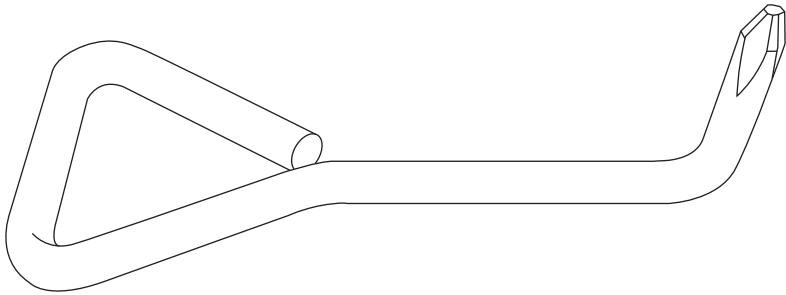
# GRADIENT CRIB

## *Hardware and Tools List*

---

Hardware & Tools	Ref. No	Description
------------------	---------	-------------

---

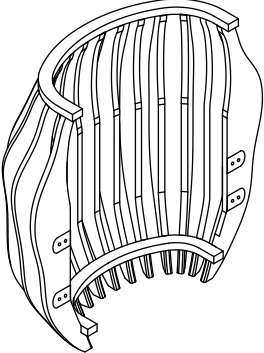
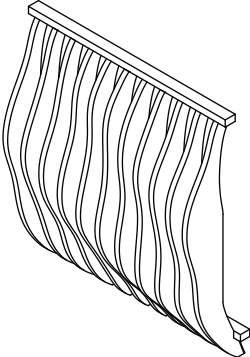
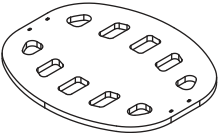


**D x 1**

**Wrench**

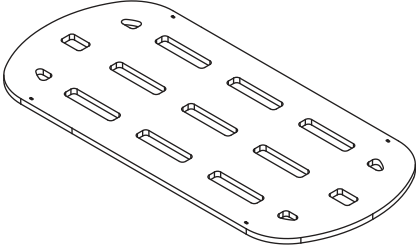
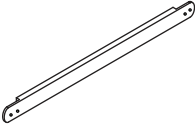
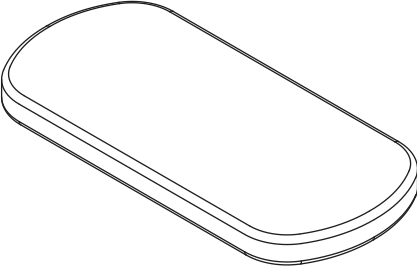


# GRADIENT CRIB

## *Parts List*

Parts	Ref. No	Description
	① X 2	Crib End (pre-assembled)
	② X 2	Crib Panel (pre-assembled)
	③ X 1	Bassinet Mattress Support

# GRADIENT CRIB

## *Parts List*

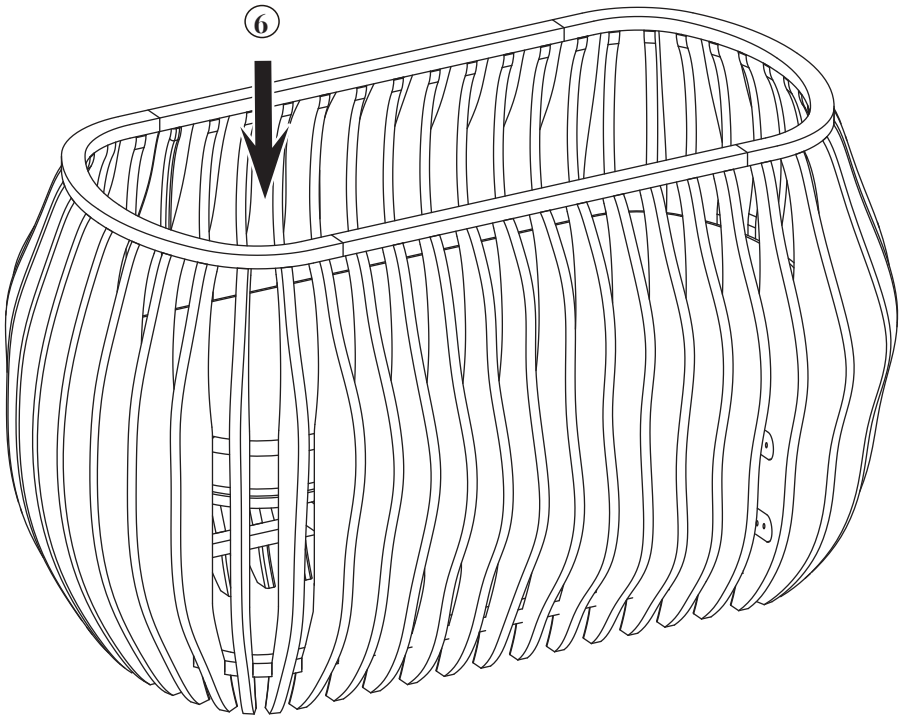
Parts	Ref. No	Description
	④x 1	Crib Mattress Support (pre-assembled)
	⑤x 2	Mattress Support Rail (pre-assembled)
	⑥x 1	Crib Mattress
	⑦x 1	Bassinet Pad
	⑧x 4	Cap

# GRADIENT CRIB

## *Assembly Instructions*

You will need two people to assemble this crib.

---



Assembly is complete.

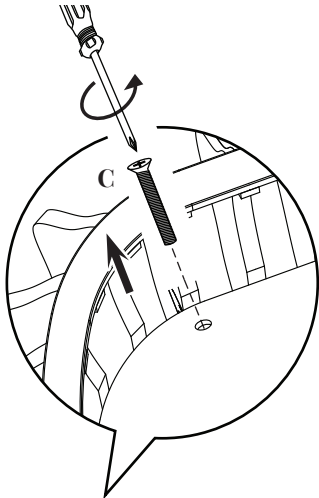
---

# GRADIENT CRIB

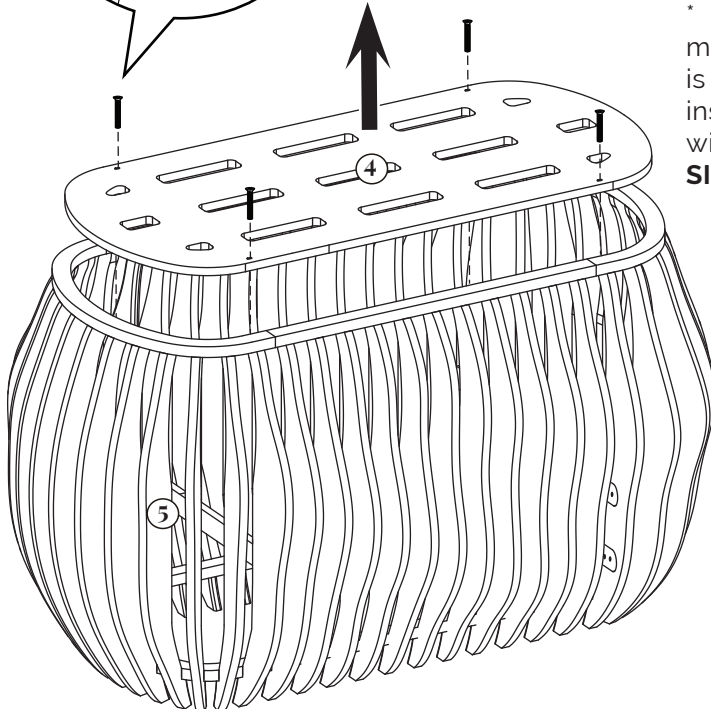
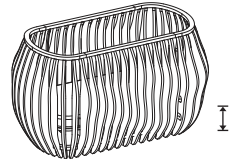
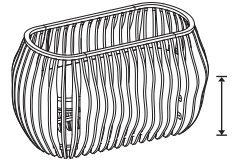
## Move Crib Mattress Support Down

You will need two people to assemble this crib.

Step 1

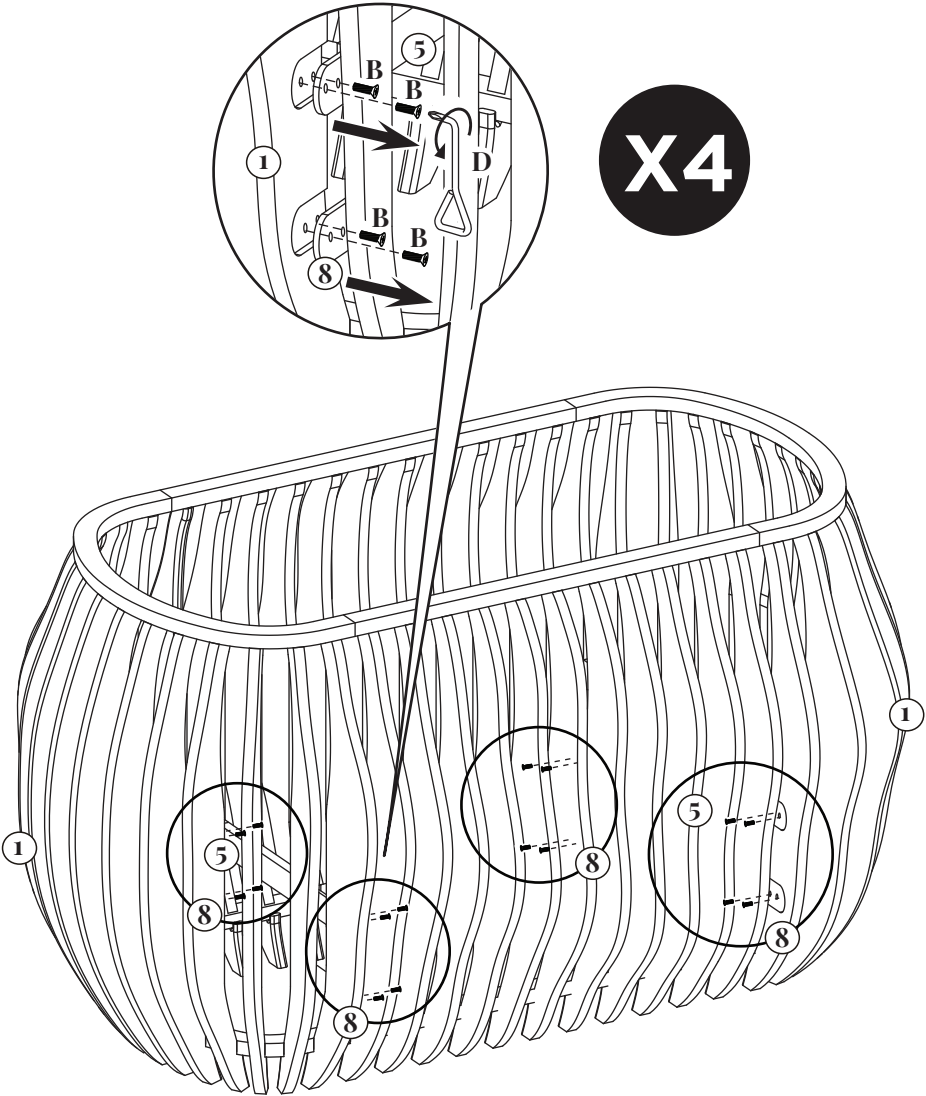


**X4**

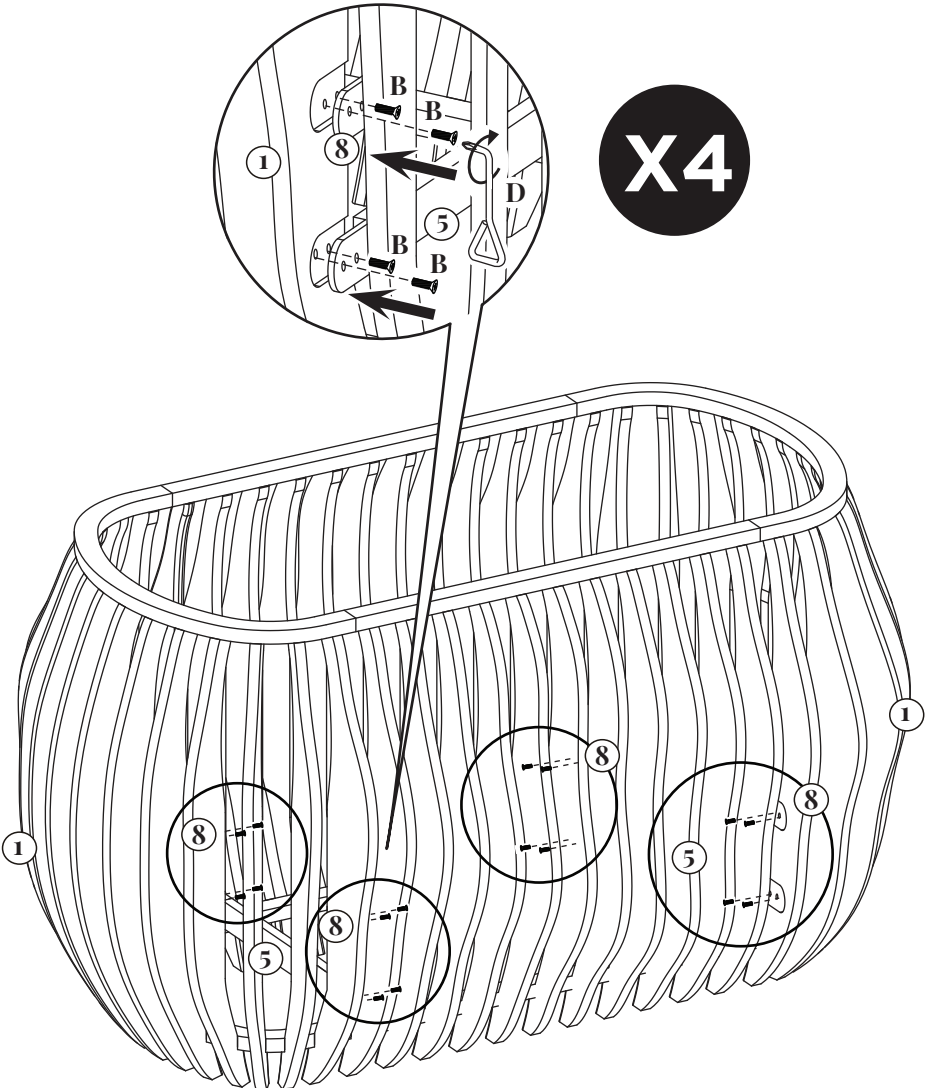


\* Make sure the mattress support is leveled and installed properly, with **THE FLAT SIDE UP.**

Step 2

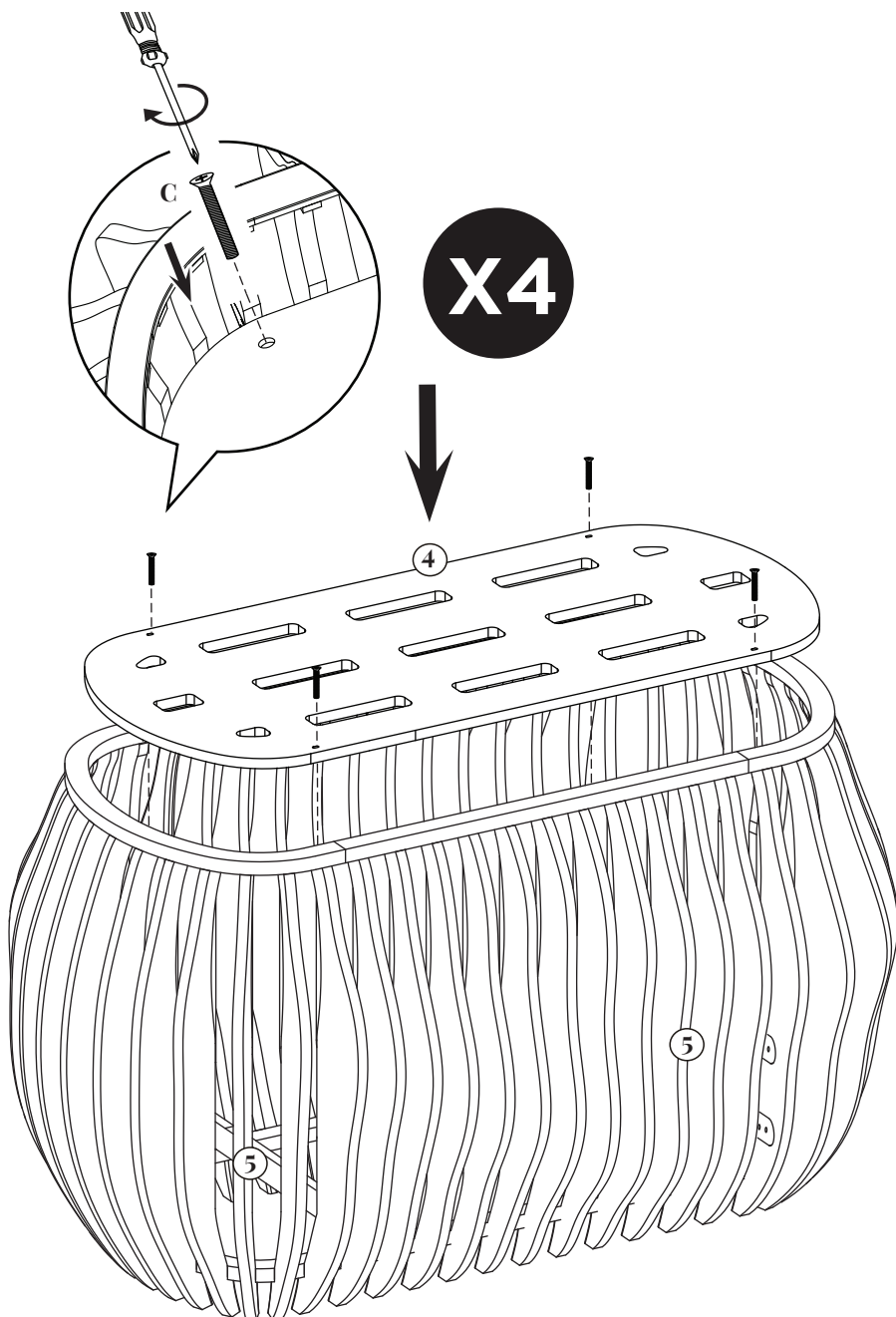


Step 3



---

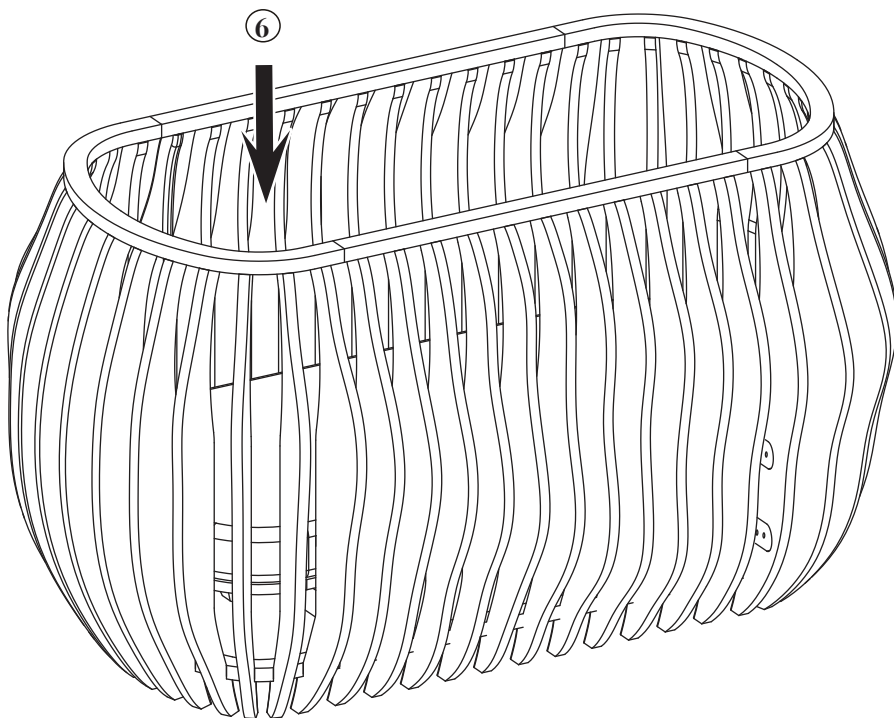
Step 4





---

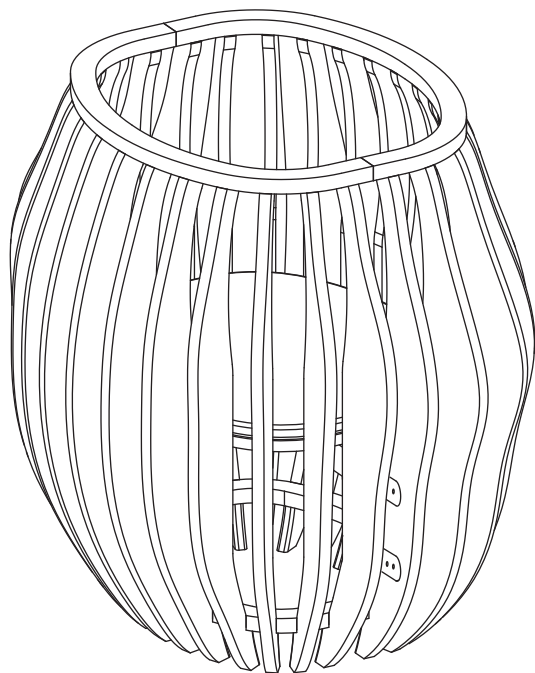
Step 5



Assembly is complete.

# NURSERY WORKS

## GRADIENT BASSINET CONVERSION



# **WARNING**

---

## **SUFFOCATION HAZARD**

**Infants have  
suffocated:**

- In gaps between extra padding and side of the bassinet/cradle
- On soft bedding
- **NEVER** add a pillow, comforter, or another mattress for padding.
- Use **ONLY** the pad provided by manufacturer.

# **WARNING**

**Failure to follow these warnings and the instructions could result in serious injury or death.**

**Stop using the bassinet when a child is able to sit, stand, kneel or roll over on his/her own. The bassinet could tip over if the child is leaning against the rails of the bassinet.**

- Do not use this bassinet if you cannot exactly follow the instructions that come with it.
- Do not use this bassinet for a child who can roll over or who has reached 17.5 lbs (7.9 kg).
- Use only the pad provided by manufacturer.
- NEVER add a pillow, comforter, or another mattress for padding.
- To reduce the risk of SIDS, pediatricians recommend healthy infants be placed on their backs to sleep, unless otherwise advised by your physician.
- If a sheet is used with the pad, use only the one provided by the bassinet or cradle manufacturer or one specifically designed to fit the dimensions of the bassinet or cradle mattress.
- Strings can cause strangulation! Do not place items with a string around a child's neck, such as hood strings or pacifier cords. Do not suspend strings over a bassinet or cradle or attach strings to toys.
- Do not place this bassinet near a window or a patio door where a child could reach the cord of a blind or curtain and be strangled.
- Check this bassinet regularly before using it and do not use it if any parts are loose or missing or if there are any signs of damage.
- Do not substitute parts. Contact the manufacturer if replacement parts or additional instructions are needed.

## **FALL HAZARD**

To help prevent falls, do not use this product when the infant begins to push up on hands and knees or has reached manufacturer's recommended maximum weight 17.5 lbs (7.9 kg), whichever comes first.

Always check that the bassinet is securely locked on the base/stand by pulling upwards on the bassinet bed.

## **CAUTION**

**THE RECOMMENDED MAXIMUM WEIGHT OF THE OCCUPANT IS 17.5 LBS (7.9 kg).**

**PLEASE READ THE CAUTION AND WARNING STATEMENTS INSERT BEFORE USING YOUR BASSINET.**

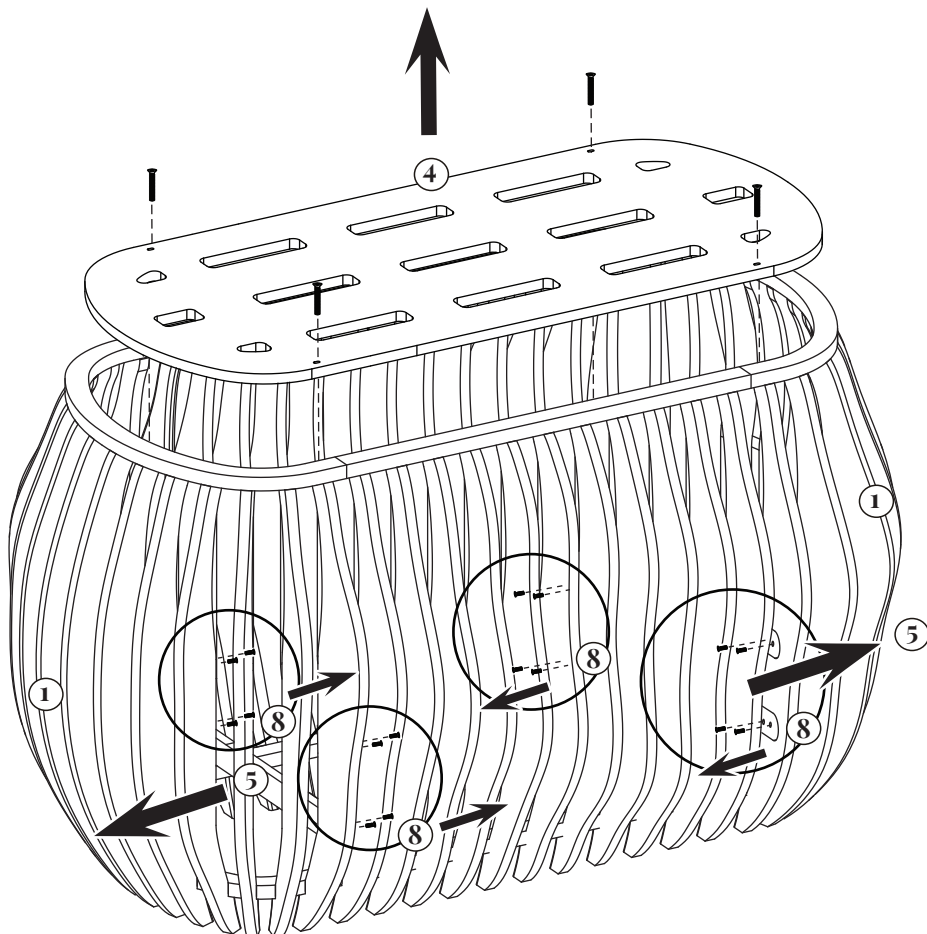
# GRADIENT BASSINET

## *Assembly Instructions*

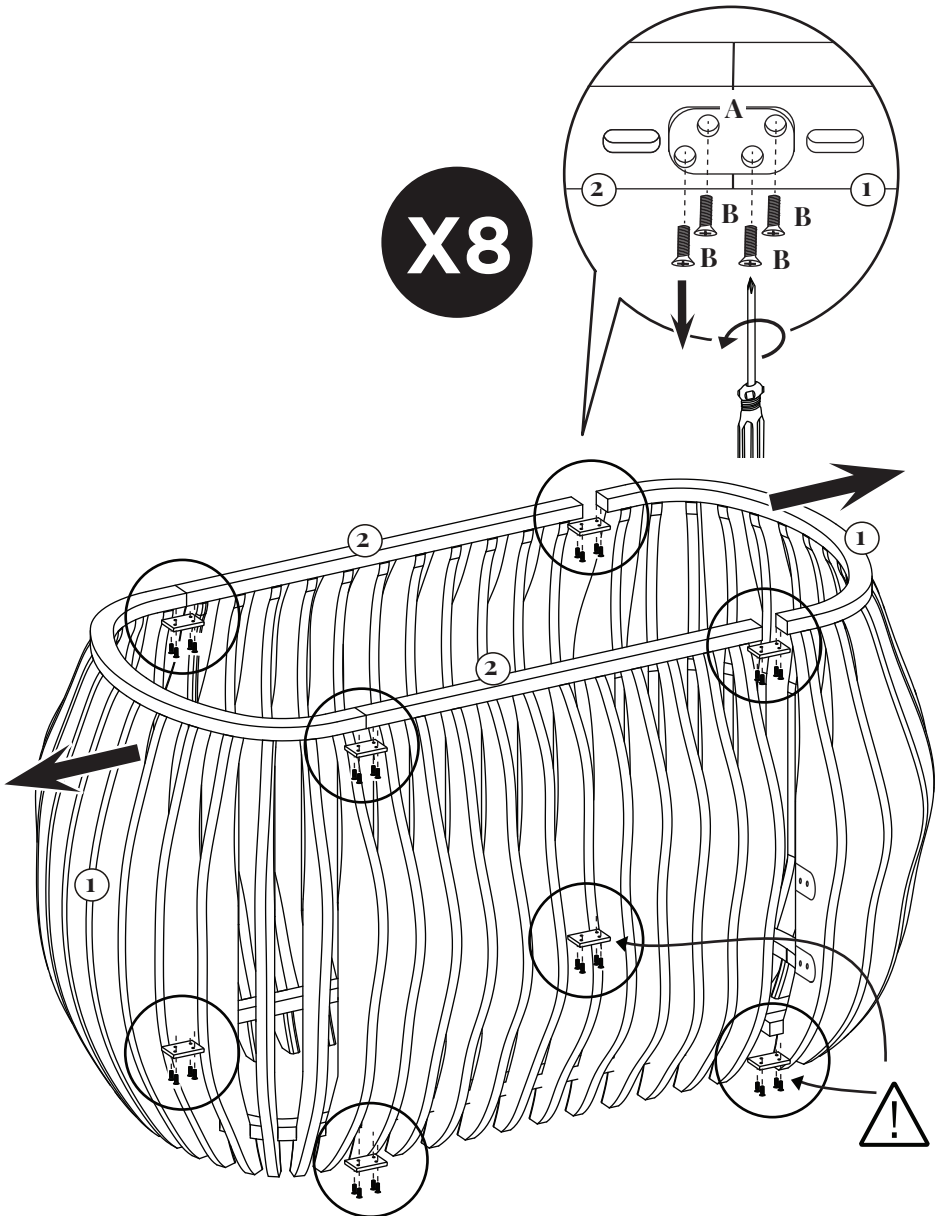
You will need two people to assemble this bassinet

---

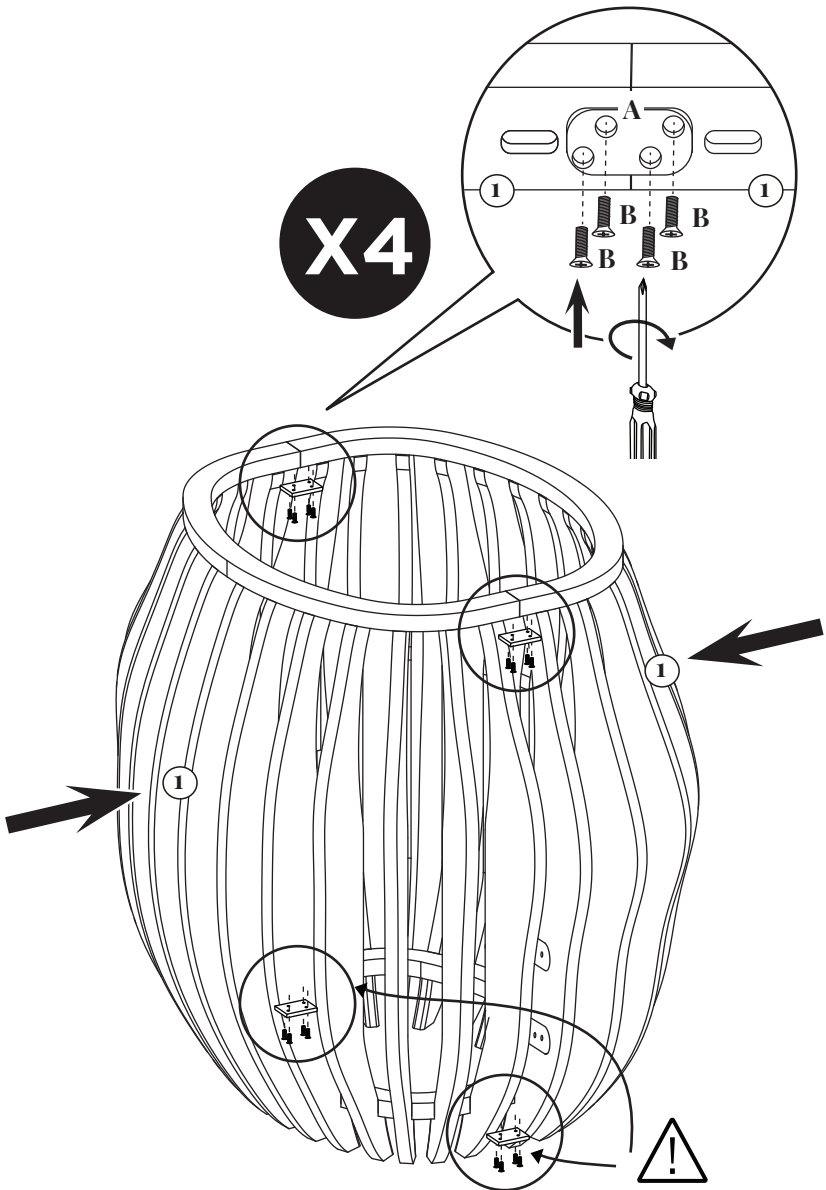
*Step 1*



Step 2

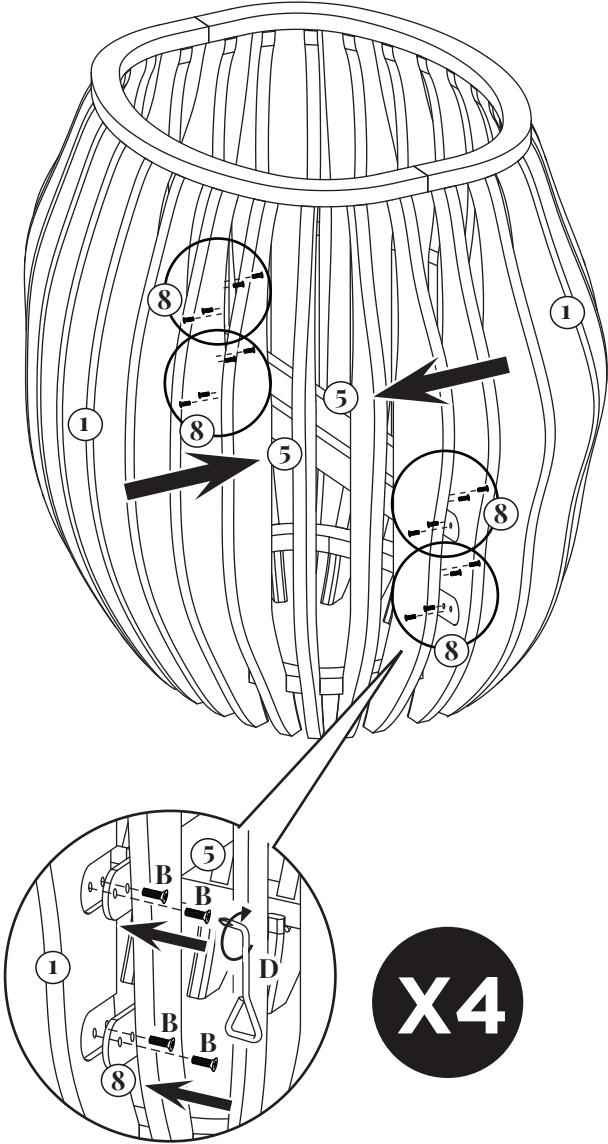


Step 3

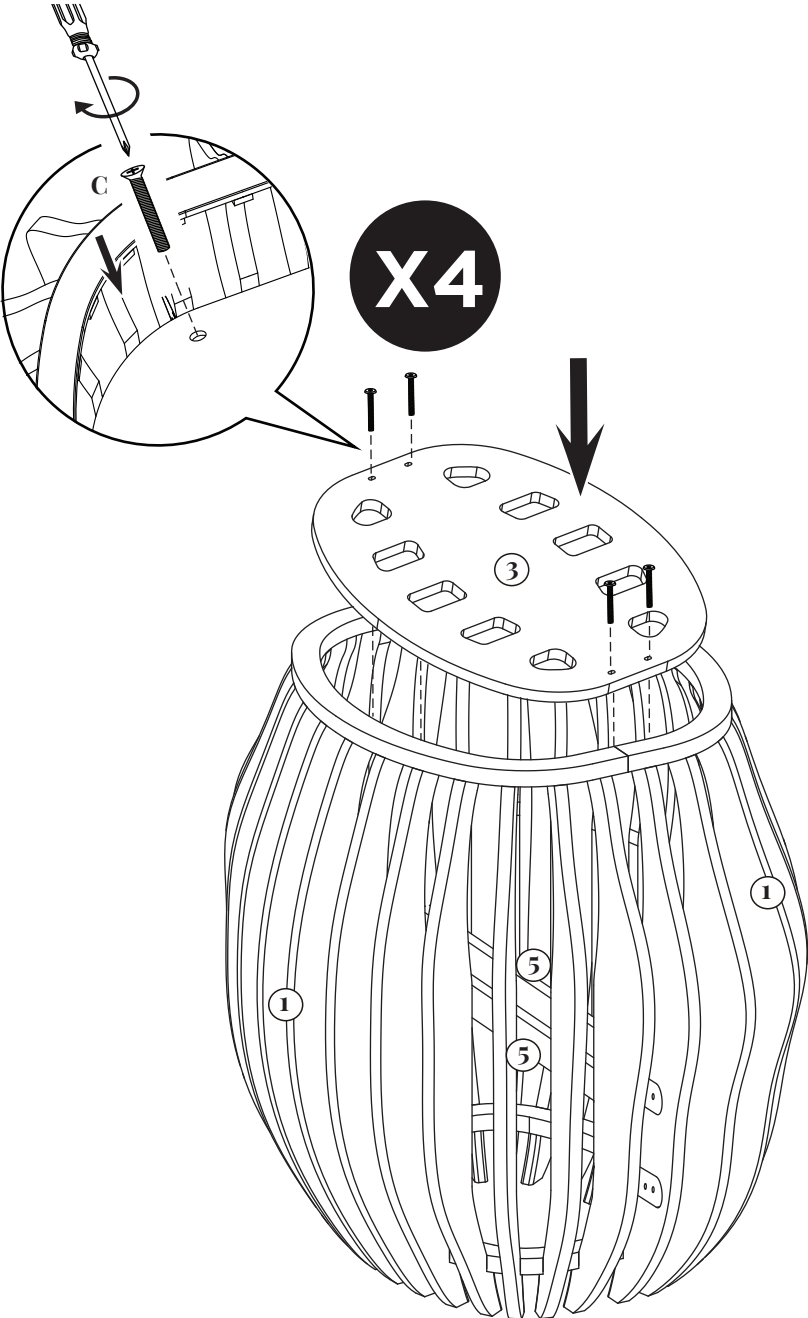




Step 4

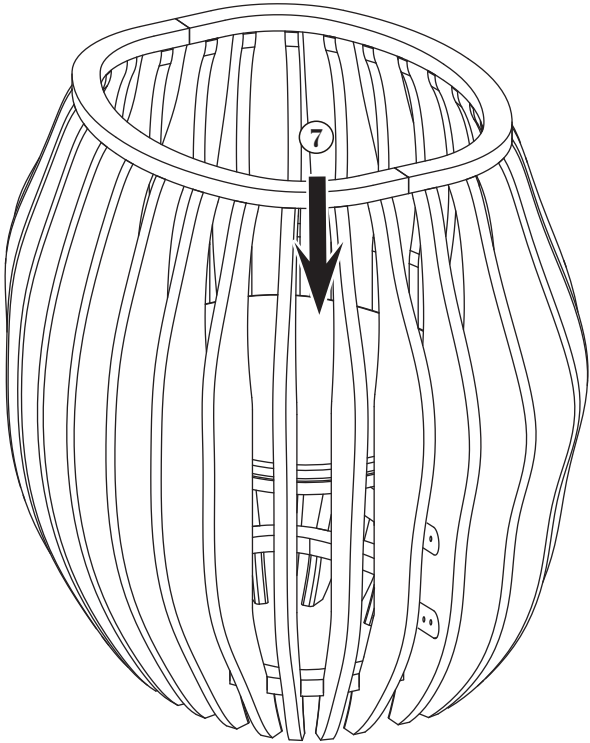


Step 5



---

Step 6



Assembly is complete.

NURSERY  
WORKS