

# USB2SATA25E

## USB 2.0 to SATA Adapter Cable for 2.5" Hard Drives.

## Installation Guide

### Packaging Contents

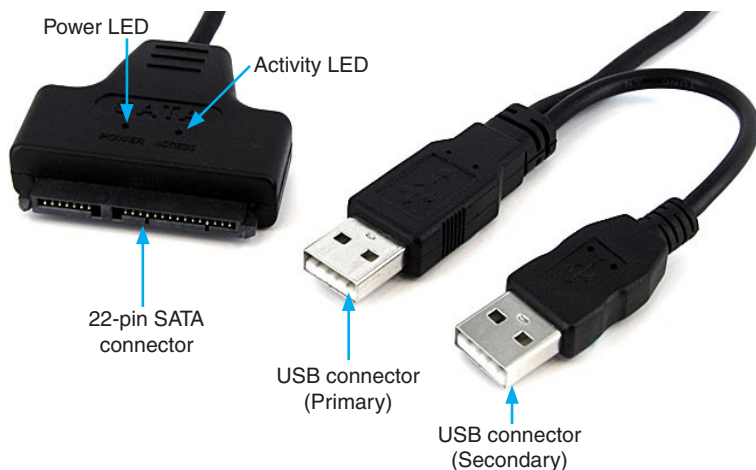
- 1 x USB2SATA25E adapter
- 1 x Installation Guide

### System Requirements

- USB enabled computer system with available port
- Microsoft® Windows® 2000/XP/Server 2003/Vista/Server 2008 R2/7 (32/64-bit), or Apple® Mac OS® X, or Linux®

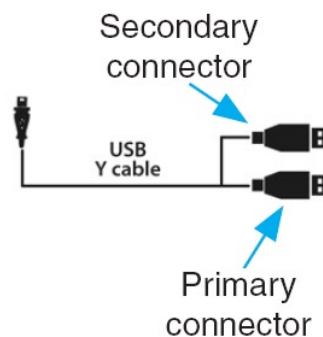
## Specifications

<b>Bus Interface</b>	USB 2.0
<b>Chipset ID</b>	Sunplus SPIF301-HL231
<b>Connectors</b>	2 x USB type A male 1 x 22-pin SATA data/power
<b>LEDs</b>	1 x Power 1 x Activity
<b>Maximum Data Transfer Rate</b>	USB: 480Mbps
<b>Compatible Hard Drives</b>	2.5" SATA hard drives up to 500GB in capacity
<b>Color</b>	Black
<b>Power Adapter</b>	None
<b>Operating Temperature</b>	-10°C ~ 50°C (14°F ~ 122°F)
<b>Storage Temperature</b>	-20°C ~ 60°C (-4°F ~ 140°F)
<b>Humidity</b>	0 ~ 75% RH
<b>Dimensions (LxWxH)</b>	533.4mm x 46.3mm x 11.0mm
<b>Weight</b>	50g
<b>Compatible Operating Systems</b>	Windows 2000/XP/Server 2003/ Vista/Server 2008 R2/7 (32/64-bit), Mac OS X, Linux



## Installation

1. Connect the 2.5" SATA hard drive to the 22-pin SATA connector on the adapter.
2. Connect the Primary USB connector into an available USB port on the host computer system. Some hard drives may require more power than a single USB port can provide, so plugging in the Secondary USB connector may be required.



\*for illustration purposes only

### Warranty Information

This product is backed by a one year warranty.

In addition, StarTech.com warrants its products against defects in materials and workmanship for the periods noted, following the initial date of purchase. During this period, the products may be returned for repair, or replacement with equivalent products at our discretion. The warranty covers parts and labor costs only. StarTech.com does not warrant its products from defects or damages arising from misuse, abuse, alteration, or normal wear and tear.

### Limitation of Liability

In no event shall the liability of StarTech.com Ltd. and StarTech.com USA LLP (or their officers, directors, employees or agents) for any damages (whether direct or indirect, special, punitive, incidental, consequential, or otherwise), loss of profits, loss of business, or any pecuniary loss, arising out of or related to the use of the product exceed the actual price paid for the product. Some states do not allow the exclusion or limitation of incidental or consequential damages. If such laws apply, the limitations or exclusions contained in this statement may not apply to you.