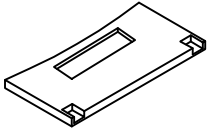


ASSEMBLY INSTRUCTION

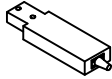
HEADBOARD

A HEADBOARD



1PC

B COLMN



2PCS

C BOLT
5/16"×2-1/2"



4PCS

D LOCK WASHER
5/16"



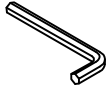
4PCS

E FLAT WASHER
5/16"×22MM

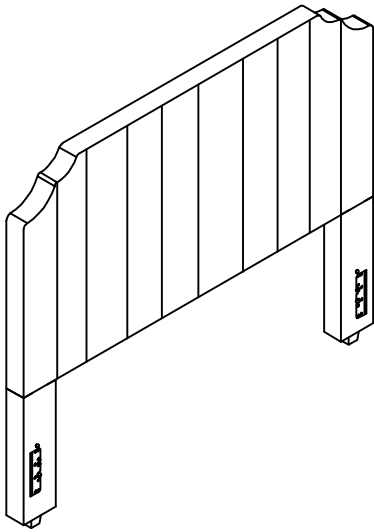


4PCS

F ALLEN WRENCH
5MM



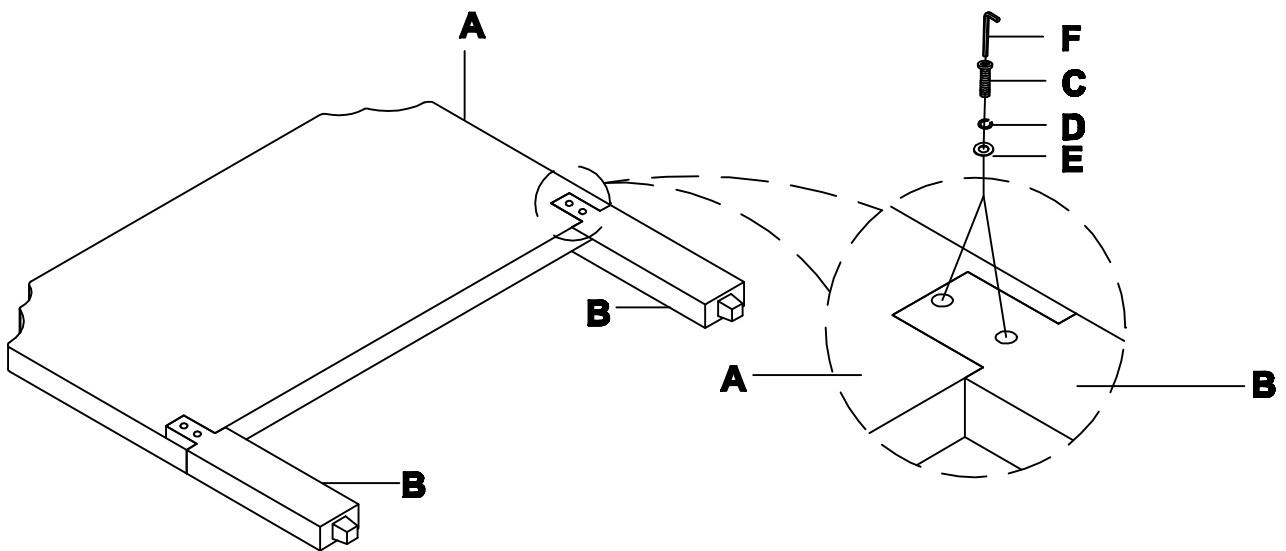
1PC



Please take the time to identify the hardware as well as the individual components to this product. As you unpack and prepare for assembly, place the contents on a carpeted or padded area to protect them from damage.

Hardware package with white sticker is for customers using a bolt-on metal bed frame.

1 ATTACHED HEADBOARD(A), COLMN(B), FLAT WASHER(E), LOCK WASHER (D),BOLT(C), BY ALLEN WRENCH(F).







Cleaning & Care

Treat surface with care. Surface is resistant to scratches but is not scratch resistant. Clean surfaces with a dry or damp soft cloth. Do not use abrasive cleaners. Hardware may loosen over time. Periodically check thall all connections are tight.

ASSEMBLY INSTRUCTION

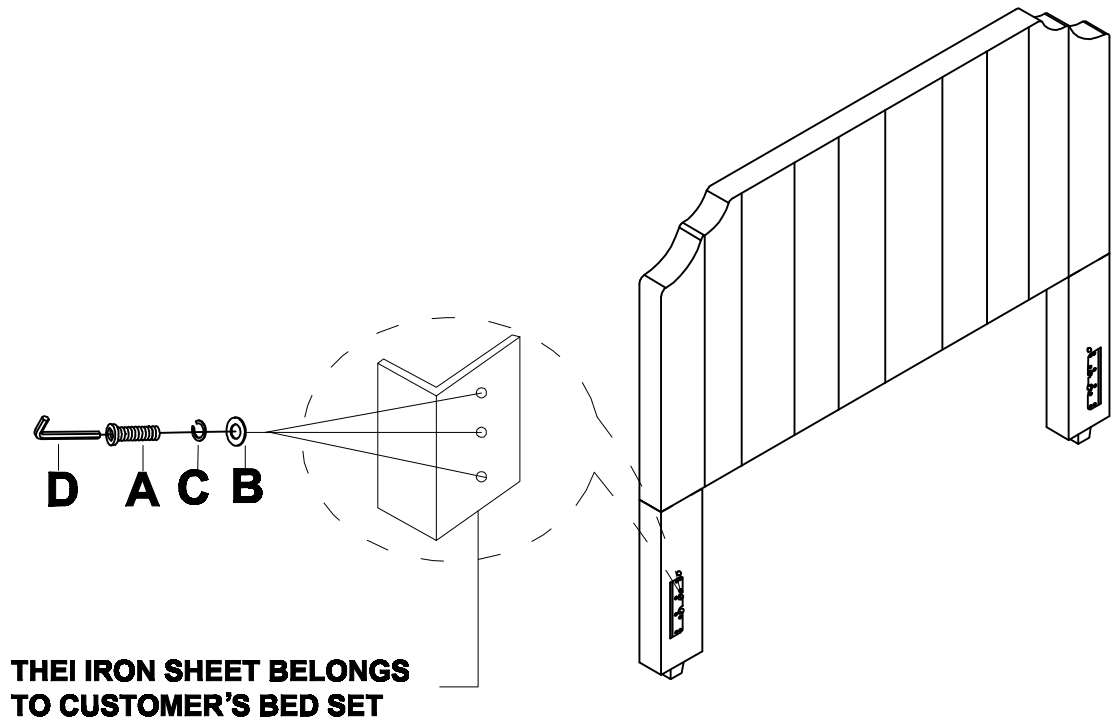
- 1.This Assembly instruction is for customers using a bolt-on metal bed frame on headboard only.
- 2.Please refer to hardware package with white sticker when using this Assembly Instruction.
- 3.Full/Queen/King Headboard need to use the other Assembly Instruction in the carton to assemble the headboard first,then use this one.
- 4.Twin Headboard is fully assembled,customers only refer to this Assembly Instruction to assemble with their own mattress frame.

HEADBOARD ONLY -SCREW

A BOLT 5/16**2-3/8"	B FLAT WASHER 5/16**22MM	C LOCK WASHER 5/16"	D ALLEN WRENCH 5MM
			
6PCS	6PCS	6PCS	1PC

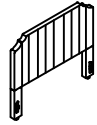
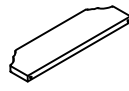



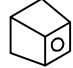





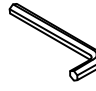
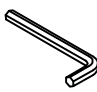

Assembly diagram below for attaching bolt-on metal bed frame to headboard only.

- 1 ATTACH MATTRESS FRAME TO THE HEADBOARD USE BOLT(A),LOCK WASHER(C),FLAT WASHER(B) AS SHOWN.TURN THE ALLEN WRENCH(D) IN BOIT(A).**

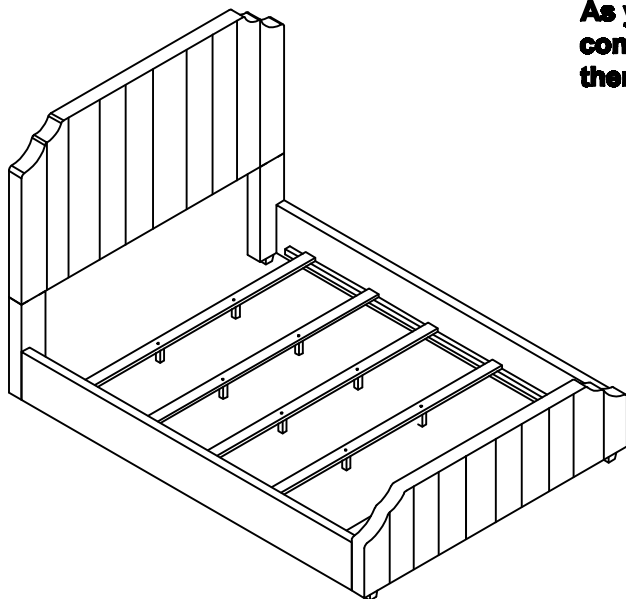


ASSEMBLY INSTRUCTION

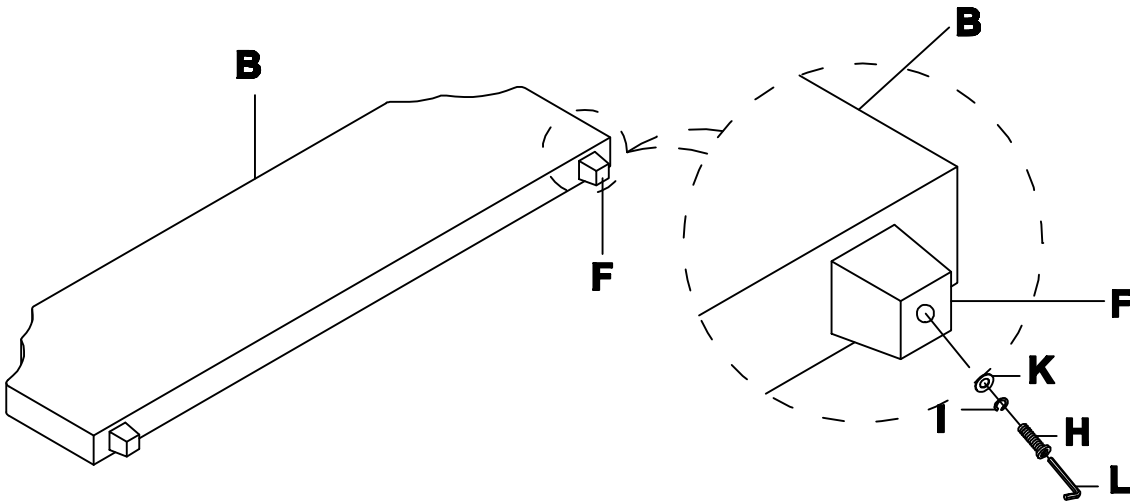
EASTERN KING BED-FOOTBOARD & RAILS & SLATS

A HEADBOARD (IN OTHER CARTON)	B FOOT BOARD	C SIDE RAILS	D SLAT
 1PC	 1PC	 2PCS	 5PCS
E SUPPORT LEG	F LEG	G BOLT 1/4**1-1/4"	H BOLT 5/16**2-3/8"
 10PCS	 2PCS	 10PCS	 2PCS
I LOCK WASHER 5/16"	J FLAT WASHER 1/4**16MM	K FLAT WASHER 5/16**19MM	L ALLEN WRENCH 5MM
 2PCS	 10PCS	 2PCS	 1PC
M ALLEN WRENCH 4MM	N SELF-TAPPING SCREW #8*1-1/2"		
 1PC	 10PCS		

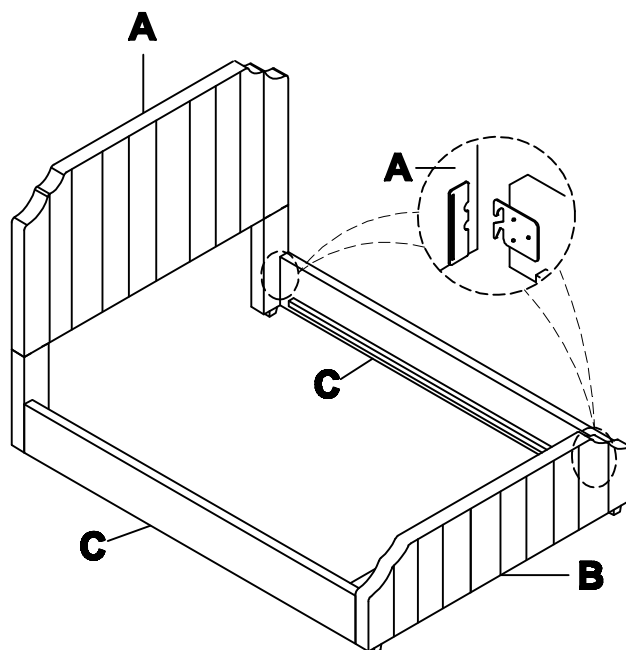
Please take the time to identify the hardware as well as the individual components to this product. As you unpack and prepare for assembly, place the contents on a carpeted or padded area to protect them from damage.



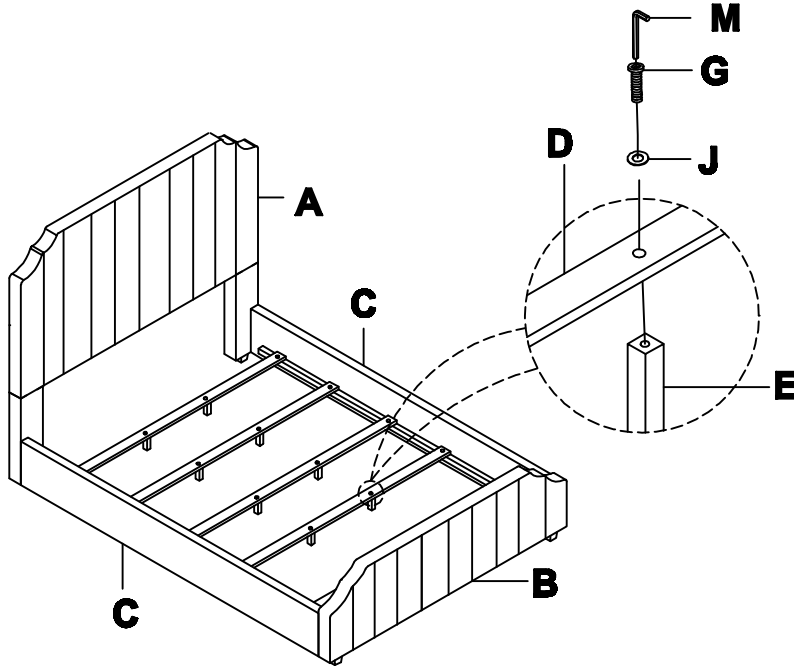
1 ATTACHED FOOT BOARD(B), LEG(F), FLAT WASHER(K), LOCK WASHER (I),BOLT(H), BY ALLEN WRENCH(L).



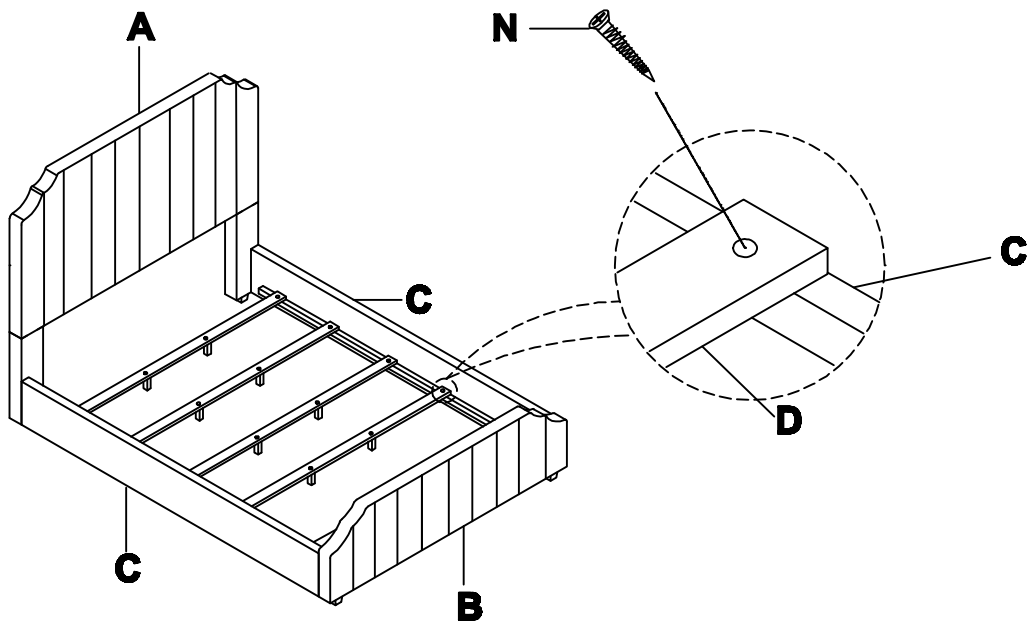
2 ATTACHED SIDE RAIL(C) TO THE HEADBOARD(A) AND FOOT BOARD(B).



3 ATTACHED SLAT(D), SUPPORT LEG(E), FLAT WASHER(J), BOLT(G), BYALLEN WRENCH(M).



4 ATTACHED SELF-TAPPING(N) TO SIDE RAILS(C).



Cleaning & Care

Treat surface with care. Surface is resistant to scratches but is not scratch resistant. Clean surfaces with a dry or damp soft cloth. Do not use abrasive cleaners. Hardware may loosen over time. Periodically check that all connections are tight.