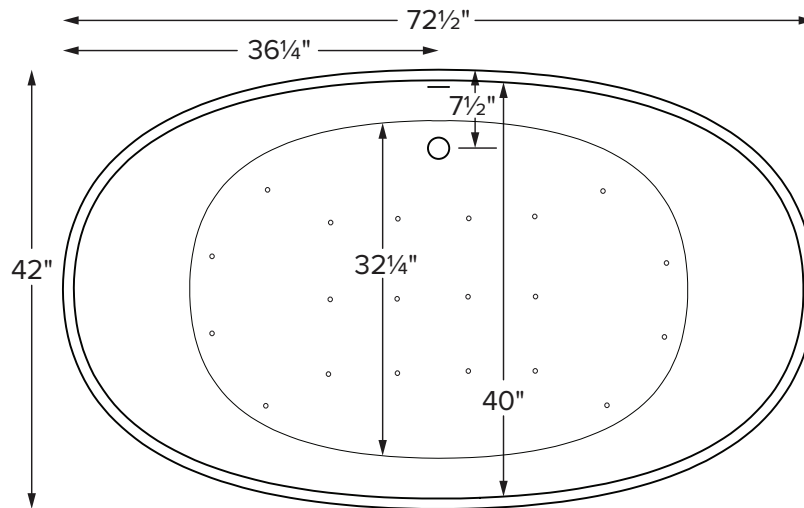


Alissa

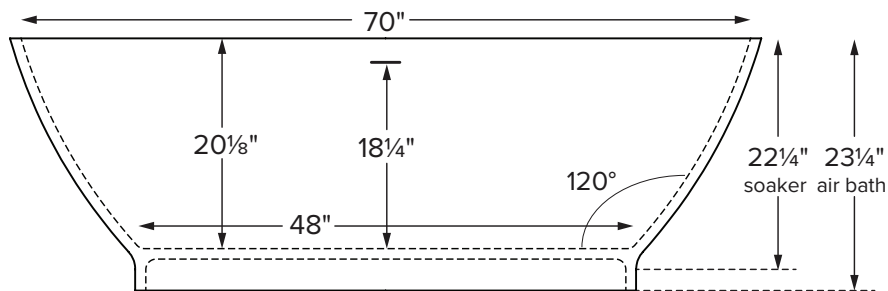


Features an integrated overflow.

MODEL 236
72.5" x 42" x 22.25"/23.25"
FREESTANDING 140 gal to overflow
<b>SculptureStone®</b>
340 lbs / 154 kg soaker 370 lbs / 163 kg airbath
Filling this tub to the maximum may require an above average size or dedicated water heater.



Shown above as an Air Bath.



ELECTRICAL COMPONENTS & SPECIFICATIONS		
Required Electrical Service - 110 Volt		
Hydrotherapy Package	Components Included	GFCI
Air Massage	heated blower	1-15 amp

Electrical requirements may change with the addition of optional therapy components. See specific option details or installation information.  
CSA Certified C/US; ANSI Z124.1 and ANSI 112.19.7 and ANSI 112.19.7

See the Installation & Operation Manual for more details.  
MTI's Customer Service: Monday-Friday 8am-6pm EST  
800-783-8827 or service@mtibaths.com

**IMPORTANT ORDERING & INSTALLATION INFORMATION**

- Before ordering or installing, please consider future access to equipment.
- Includes an integrated overflow with toe tap drain in chrome finish. May be specified without an overflow (see local codes before ordering without an overflow).
- Air baths require job site preparation for remote installation of the blower and required check valve. Check valve must be installed higher than the rim of the tub.
- Waterproof remote control included with air bath. Keypad shipped loose may be remote mounted on nearby surface/wall.
- Faucet valves cannot be mounted on this tub model.

• Before discarding tub crate, check for accessories that may be packaged inside.  
• All product measurements are ±1/2".  
• Specifications and configurations are subject to change without notice.  
• Measurements herein supersede all others published prior to publication date below.

For more information on options and accessories go to SculptureStone® Tubs Options on mtibaths.com

Alissa

MODEL #: 236

72.5" x 42" x 22.25"/23.25"

- Blower & required check valve for airbath must be remote mounted.
- Check valve must be installed higher than the rim of the tub.
- See the Installation & Operation Manual for more details.

Hydrotherapy	Package Contents	Part #	Finish	MSRP
Soaker	Soaking bath - no jets. Includes an integrated slotted overflow with a toe-tap drain kit.	S236	soft matte	\$9,855
		S236GL	hand-polished gloss	\$11,030
Air Bath	20 air jets, heated air blower, keypad, waterproof remote control, integrated slotted overflow with a toe-tap drain kit.	AST236	soft matte	\$15,395
		AST236GL	hand-polished gloss	\$16,570

Options <i>Must be ordered at time of purchase</i>
<b>Quick Ship</b> (QSPRI2) <b>\$1,110</b> reduces lead time <i>Please call for availability</i>
<b>Standard Color</b> White <b>Biscuit Color Upgrade</b> (SSBI) <b>\$320</b> <i>Additional material colors available for projects only. Please call MTI.</i>
<b>Exterior Color</b> <b>\$1,905</b> (SSCOLTG) Gloss Finish (SSCOLTM) Matte Finish Must specify color code: Sapphire Blue (SB), Blue Lagoon (BL), Terracotta (TC), Onyx (OX), Stratus Gray (TG), Stormgray (SG) <a href="http://mtibaths.com">Check mtibaths.com for current lead time</a>
Accessories
<b>Teak Bath Mat</b> (TKMAT3018) <b>\$880</b> Measures 30" x 17.5" x 1" <i>Custom sizes also available. Contact MTI for details.</i>
<b>SculptureStone® Tub Tray</b> No Stemware Holder (SSTRAY1) <b>\$370</b> matte (SSTRAY1GL) gloss <b>\$370</b> With Stemware Holder (SSTRAY2) <b>\$490</b> matte (SSTRAY2GL) gloss <b>\$490</b> <i>Order with tub for best color match</i>
<b>Teak Tub Tray</b> Slatted (TK-TRAY1) <b>\$540</b> Solid (TK-TRAY2) <b>\$615</b> <i>Order with tub for best fit</i>

SculptureStone® Tub Accessories	
Packaging / Handling Fee Applies	
<b>SculptureStone® Bathroom Table</b> (TABLE) <b>\$895</b> matte finish (TABLEGL) <b>\$1,360</b> gloss finish <i>Order with tub for best color match</i>	
<b>SculptureStone® Standard Faucet Stand</b>	
Small - 3-hole capacity <b>14¼" w x 20½" h</b> Matte (STAND) <b>\$780</b> Gloss (STANDGL) <b>\$1,250</b>	Large - 5-hole capacity <b>22" w x 21½" h</b> Matte (STANDL) <b>\$925</b> Gloss (STANDLGL) <b>\$1,390</b>
<b>SculptureStone® Premium Faucet Stand</b>	
<b>15" w x 39" h</b> Matte (SSFSR3915MT) <b>\$2,555</b> Gloss (SSFSR3915GL) <b>\$2,940</b>	<b>10" w x 39" h</b> Matte (SSFSR3910MT) <b>\$2,310</b> Gloss (SSFSR3910GL) <b>\$2,730</b>
<b>20" w x 23" h</b> Matte (SSFSR2320MT) <b>\$2,090</b> Gloss (SSFSR2320GL) <b>\$2,505</b>	<b>15" w x 23" h</b> Matte (SSFSR2315MT) <b>\$1,975</b> Gloss (SSFSR2315GL) <b>\$2,355</b>

**Drains & Overflow Kits** *Must be ordered at time of purchase*

**Toe Tap Drain Cover Finishes**  
PVC drain - Chrome included  
+**\$55** upcharge Br. Nickel (WIOBN), Pol. Nickel (WIOPN)  
+**\$95** upcharge Matte Black (WIOMB)  
+**\$115** upcharge Oil-Rubbed Bronze\* (WIOOR)  
+**\$695** upcharge Special Finish\* (WIOSF)  
*Send finish sample to MTI Baths for best match.*

**Toe Tap SculptureStone® Drain Cover Finishes**  
Upgrade is in lieu of standard chrome to tap drain cover.  
White only  
+**\$100** upcharge Matte Finish (SSWIOMT)  
+**\$120** upcharge Gloss Finish (SSWIOGL)  
**Brass Tailpiece** (WIOBS) **\$95** in addition to finish charge listed above  
**Quick Drain Kit** (WOQ) **\$510**

\* MTI has selected an oil-rubbed bronze finish that is compatible with Delta and many other manufacturers. To ensure best match, order as a Special Finish and submit a sample.

\* Allow 2-4 weeks lead time for Special Finishes. Send sample for best match.

