



Archer® | K-1949-RAW

66" x 32" alcove whirlpool bath with Bask® heated surface, right drain

Features

- Bask® heated surface creates spa-like relaxation with soothing warmth on your back, shoulders, and neck
- Three heat settings allow you to customize the surface temperature
- Single-speed whirlpool offers performance and value with 8 fully adjustable jets
- Hydromassage flow and direction can be controlled at each jet
- Comfort Depth® design offers a convenient 19" step-over height while retaining the same depth as a standard 21" bath
- Integral lumbar support and armrests offer extra comfort while bathing
- Slotted overflow allows for deep soaking
- Textured bottom surface
- Integral apron
- Integral flange helps prevent water from seeping behind wall and simplifies alcove installation
- Coordinates with other products in the Archer collection



Available Colors/Finishes

Color tiles intended for reference only.

- 0 White
- 96 Biscuit
- 95 Ice Grey



Codes/Standards

ADA compliant when installed to the specific requirements of these regulations.



- ASME A112.19.7/CSA B45.10
- CSA B45.5/IAPMO Z124
- UL 1795
- CSA C22.2 No. 218.2
- ADA
- ICC/ANSI A117.1
- cUL Listed
- UL Listed

Technical Information

All product dimensions are nominal.

Drain Location:	Right
Drain Hole Diameter:	2-1/4" (57 mm)
Minimum Flat for Door:	2-5/8" (66 mm)
Basin Area, Bottom:	50-3/8" x 19-5/8" (1280 mm x 498 mm)
Basin Area, Top:	57-5/16" x 24-1/16" (1456 mm x 611 mm)
Water Depth:	15-5/16" (389 mm)
Water Capacity:	66 gal (249.8 L)
Minimum Floor Load:	48.1 lbs/ft ²
Weight:	130 lbs (59 kg)

Material

- Acrylic

Recommended Products/Accessories

- K-23726 Drain treatment
- K-23732 Tub & shower cleaner

Required Products/Accessories

- K-7271 Slotted overflow brass bath drain
- or
- K-7272 Slotted overflow bath drain

Required Electrical Service

One dedicated circuit required, protected with Class A Ground-Fault Circuit-Interrupter (GFCI). Outside North America, this device may be known as a Residual Current Device (RCD).

Pump, Heated Surface: 120 V, 15 A, 60 Hz

Electrical Component Ratings

Pump: 120 V, 7 A, 60 Hz
 Number of Speeds: Single
 Heated Surface: 120 V, 0.5 A, 60 Hz, 65 W

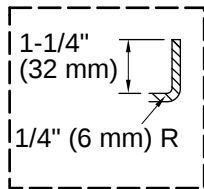
Warranty

See website for detailed warranty information.

KOHLER® Plastic Baths and Shower Bases Lifetime Limited Warranty|KOHLER® Hydrotherapy Components Five-Year Limited Warranty

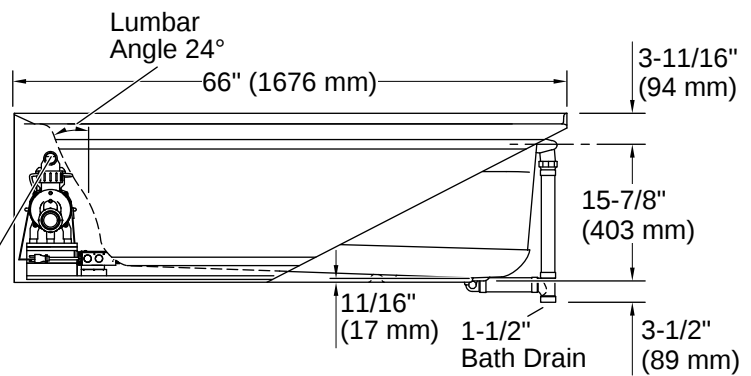
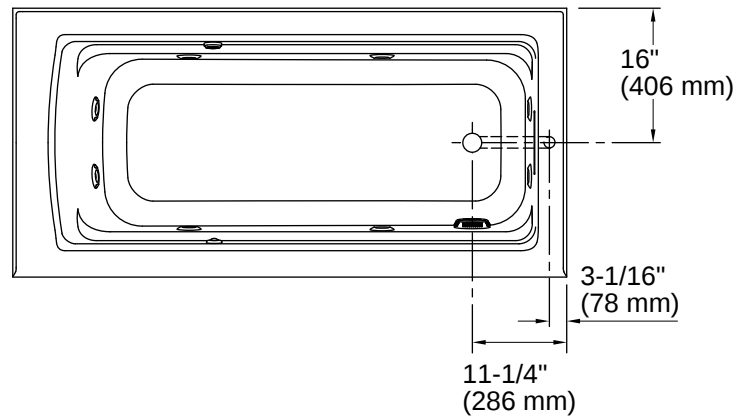
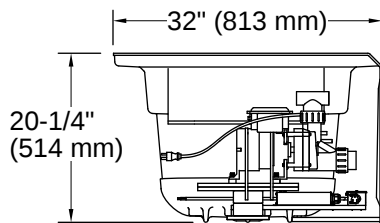


No change in measurements if connected with drain illustrated. (K-7272)



Integral Flange Detail

Blower Motor Access
30-1/16" (764 mm) W x
15" (381 mm) H Min



Heater pad is located on this side

Installation

- Right drain
- Alcove
- Requires Clearflo slotted overflow bath drain (sold separately)

Installation Notes

Install this product according to the installation instructions.

Measure your actual product for rough-in details.

The hot water supply should be 70% of the capacity of the bath or greater. Installations will vary.

ADA compliant when installed to the specific requirements of these regulations.

