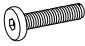





HEKMAN®

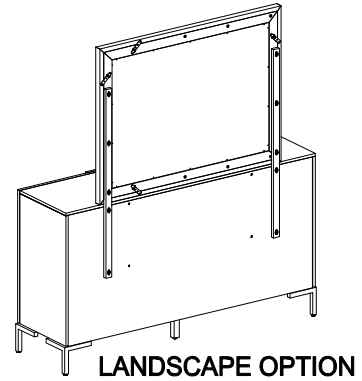
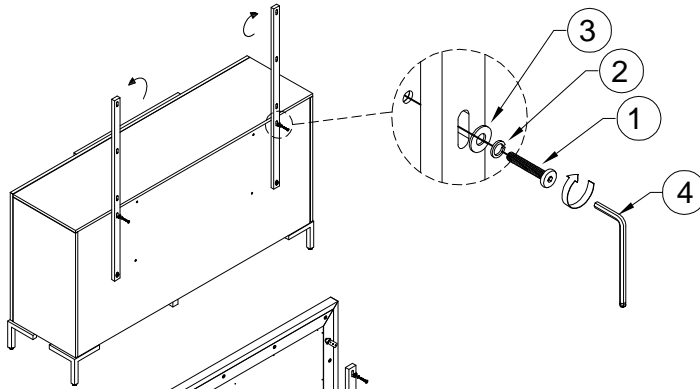
A HOWARD MILLER COMPANY

ASSEMBLY INSTRUCTIONS FOR 25366 MIRROR

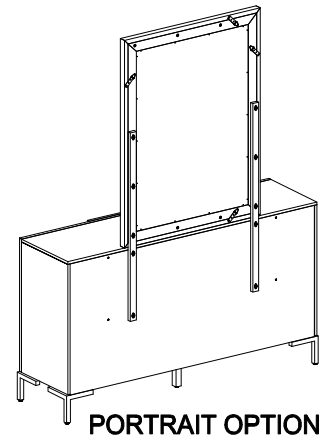
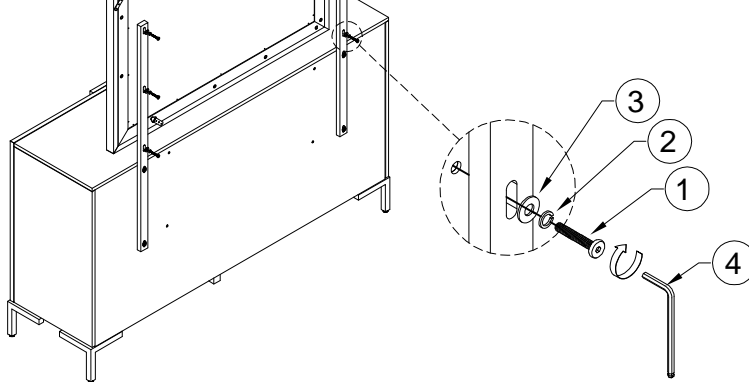
HARDWARE LIST

NO.	ITEM	DESCRIPTION	QTY	NO.	ITEM	DESCRIPTION	QTY
1		BOLT Ø1/4" x 1-1/4"	8	2		LOCK WASHER	8
3		FLAT WASHER	8	4		ALLEN WRENCH	1

STEP 1



STEP 2



NOTE: Mirror can be attached in portrait or landscape

TO ASSEMBLY:

STEP 1: Straighten up the support rail. Attach support rail to the dresser. Insert the flat washer (3), lock washer (2), with bolt (1) into the groove on the support to the dresser, tighten with allen wrench (4)

STEP 2: Attach support rail to mirror. Insert the flat washer (3), lock washer (2), with bolt (1) to support rail, tighten with allen wrench (4).

STEP 3: Assembly of the product is now completed.

