



bestchoiceproducts



INSTRUCTION MANUAL

Bathroom Storage Floor Cabinet



bestchoiceproducts

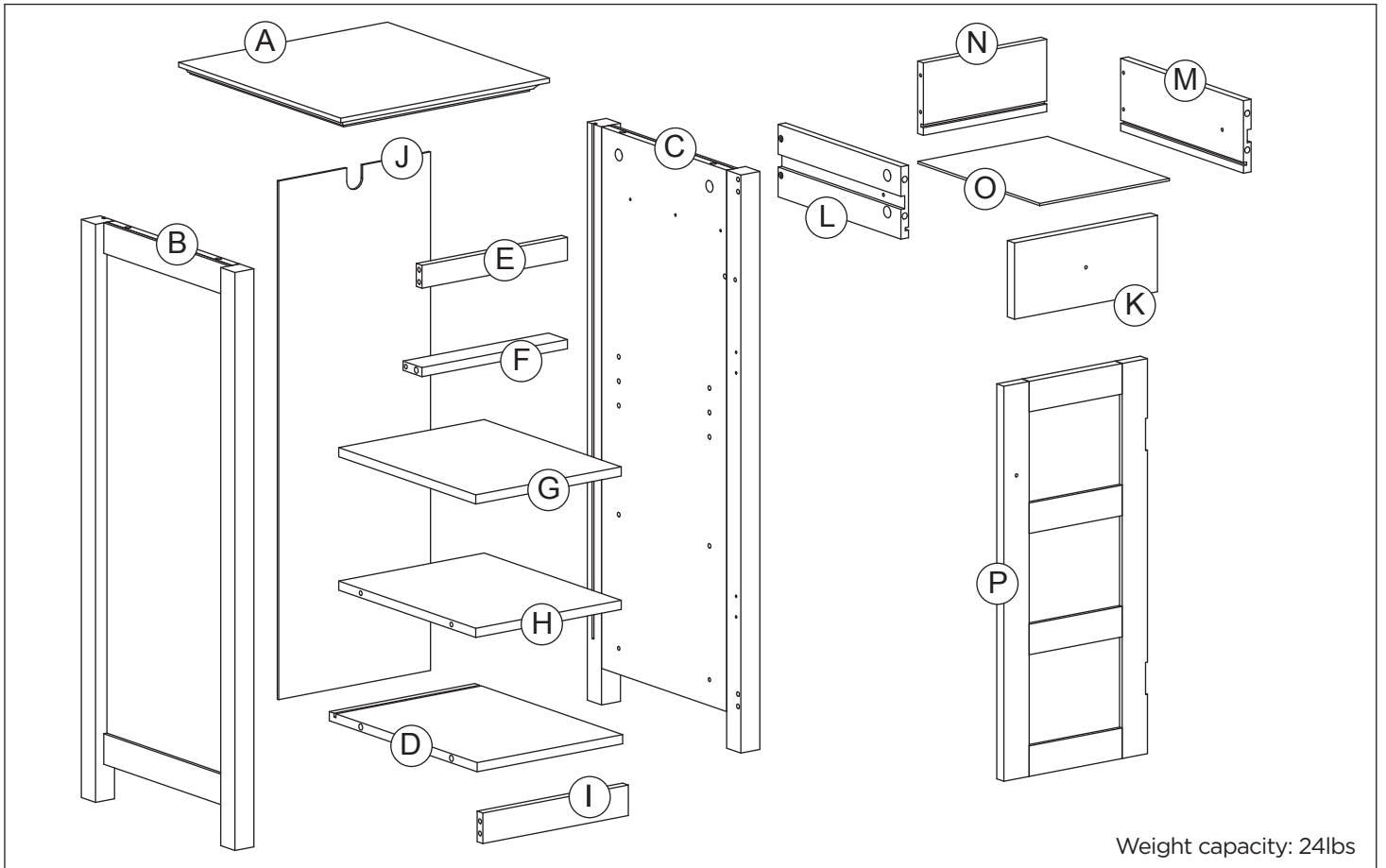
Thank you for choosing us! Since 2002, Best Choice Products has been bringing customers high-quality products at the absolute lowest price. With everything ranging from instruments and toys to furniture and outdoor, we've got your everyday living essentials covered. We're centered around a customer-first philosophy - with free shipping, exceptional customer service, and a catalog sourced with you in mind.



bestchoiceproducts

Check out more great products:
bestchoiceproducts.com

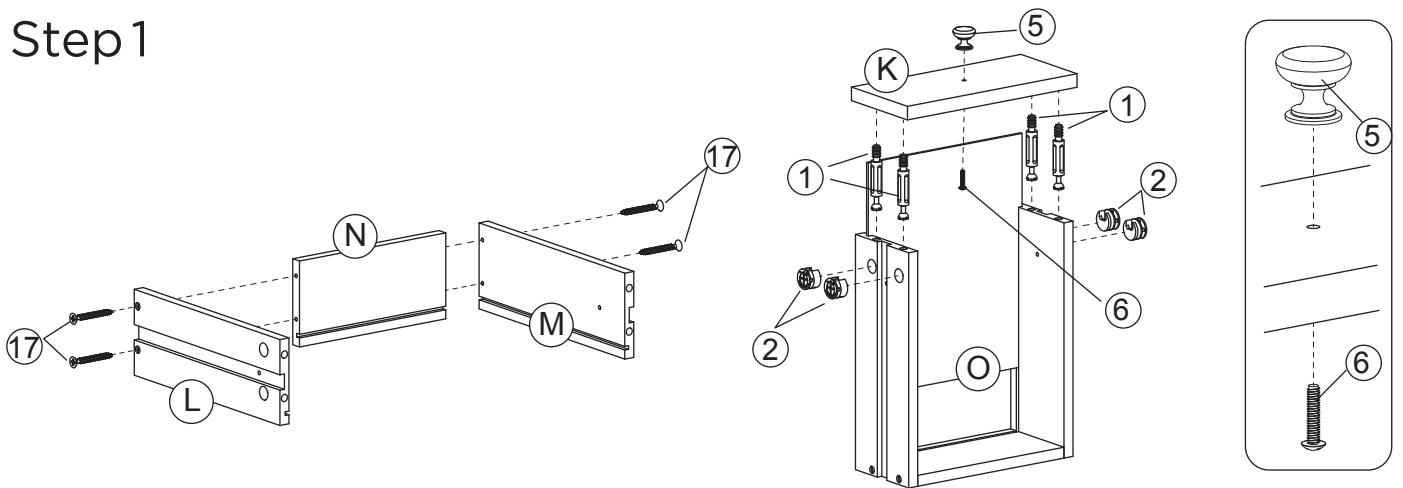
PARTS & HARDWARE



Weight capacity: 24lbs

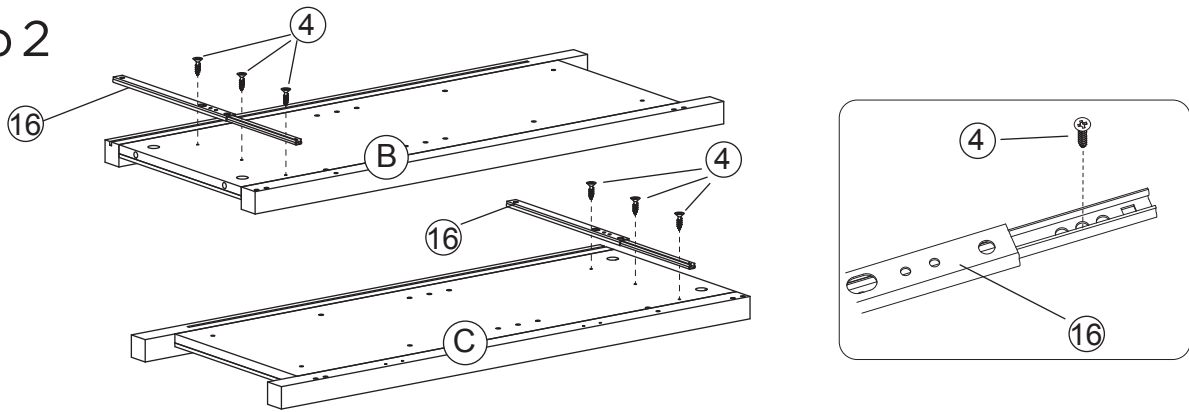
① X14	② X14	③ X14	④ X17	⑤ X2	⑥ X2
			 Φ3x12mm		 Φ4x18mm
⑦ X1	⑧ X1	⑨ X2	⑩ X4	⑪ X1	⑫ X1
				 Φ4x30mm	
⑬ X1	⑭ X1	⑮ X2	⑯ X2	⑰ X4	
	 Φ4x12mm	 Φ4x10mm		 Φ4x30mm	

Step 1

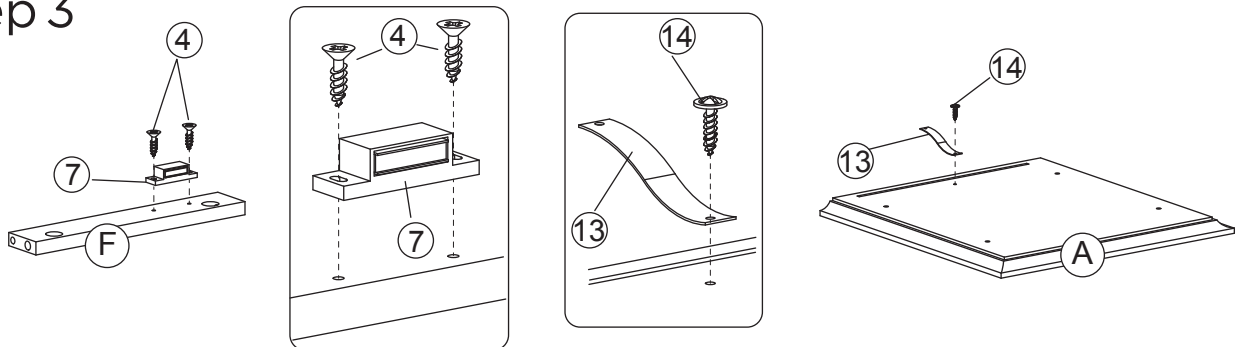


PRODUCT ASSEMBLY

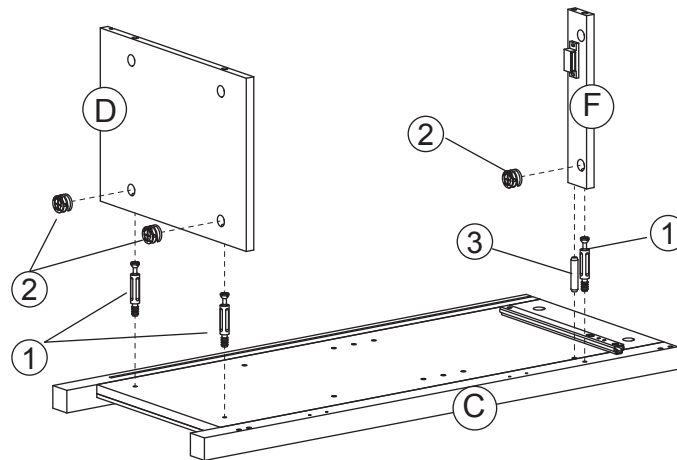
Step 2



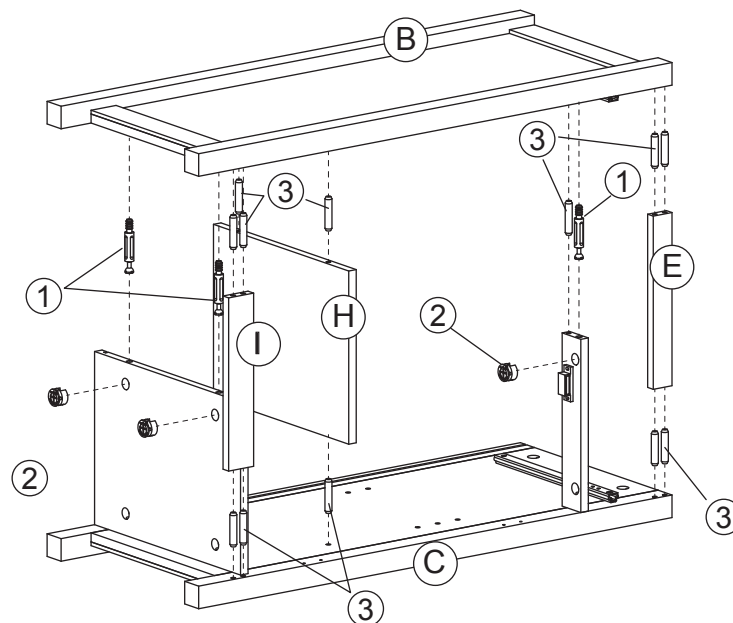
Step 3



Step 4

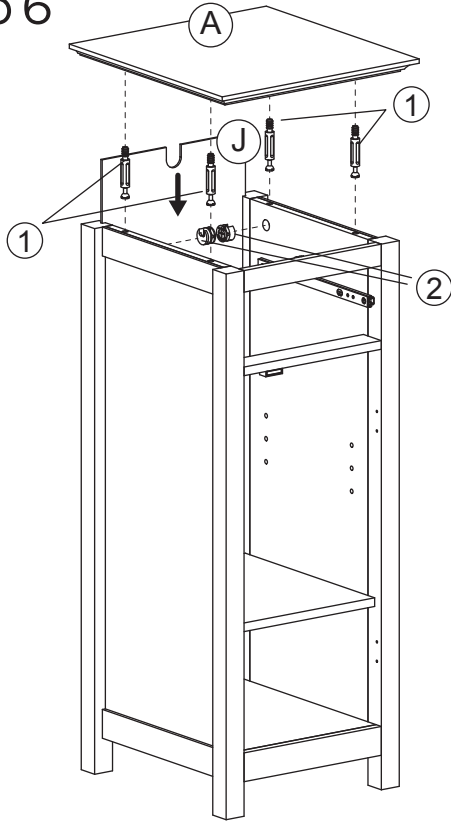


Step 5



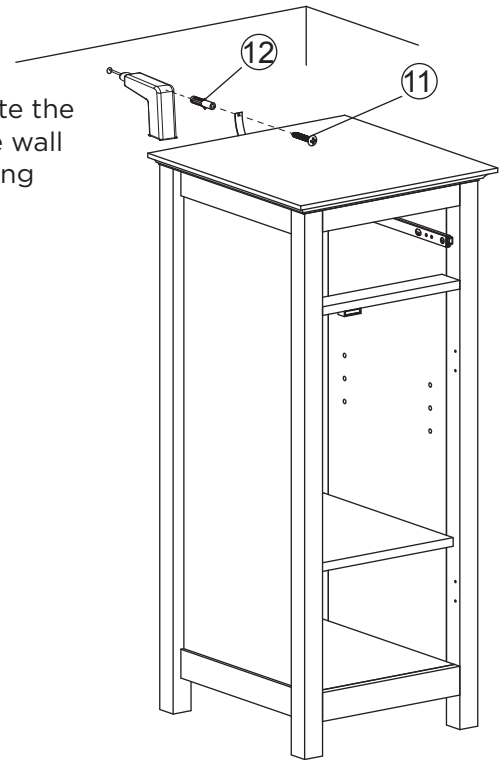
PRODUCT ASSEMBLY

Step 6

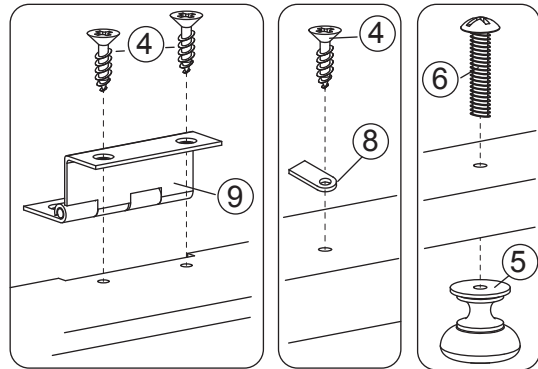
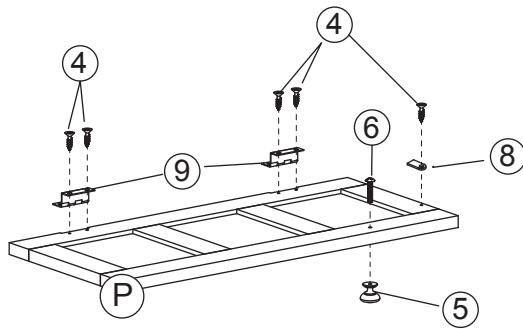


Step 7

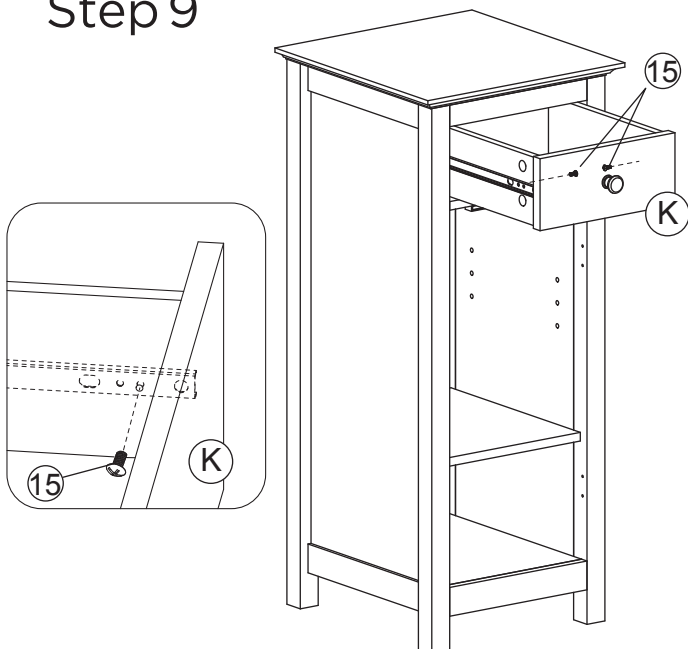
Please locate the studs in the wall before drilling



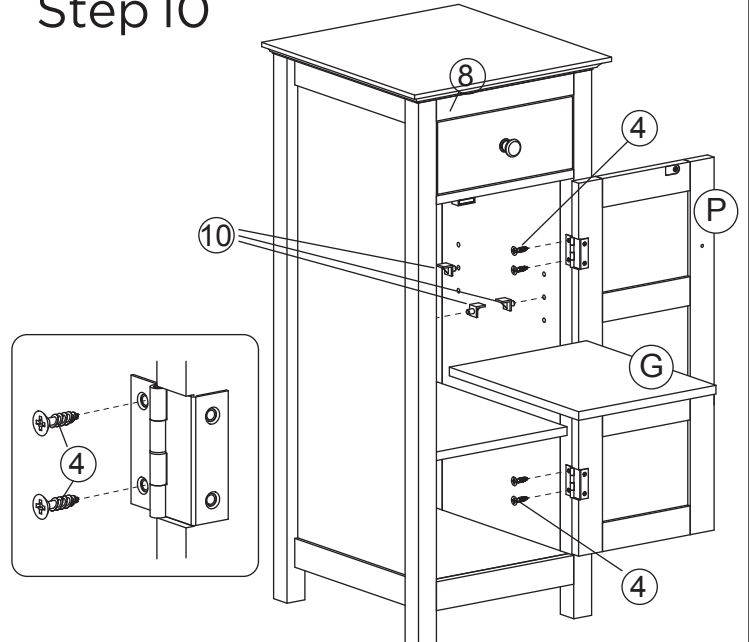
Step 8



Step 9



Step 10



Earn points while you shop. Join today!

bestchoiceproducts
rewards\$

Join | Earn | Redeem

Give your friends 15% off their first order! For each successful referral you'll receive 100 points.

bestchoiceproducts.com



HELP CENTER



Question about your product? We're here to help. Visit us at:

help.bestchoiceproducts.com



Chat Support



Product Inquiry



Orders FAQ



Product Assembly



Returns & Refunds

PRODUCT WARRANTY INFORMATION

All items can be returned for any reason within 60 days of the receipt and will receive a full refund as long as the item is returned in its original product packaging and all accessories from its original shipment are included. All returned items will receive a full refund back to the original payment method. All returned items will not be charged a re-stocking fee.

All returned items require an RA (Return Authorization) number, which can only be provided by a Best Choice Products Customer Service Representative when the return request is submitted. Items received without an RA may not be accepted or may increase your return processing time. Once an item has been received by Best Choice Products, refunds or replacements will be processed within 5 business days.

All returns must be shipped back to the Best Choice Products Return Center at the customer's expense. If the reason for return is a result of an error by Best Choice Products then Best Choice Products will provide a pre-paid shipping label via email. Boxes for return shipping will not be provided by Best Choice Products, and is the customer's responsibility to either use the original shipping boxes or purchase new boxes.

Pictures may be required for some returns to ensure an item is not damaged prior to its return. Items returned are not considered undamaged until they are received by Best Choice Products and verified as such. All damages to items are the customer's responsibility until the item has been received by and acknowledge by Best Choice Products as undamaged.

WARNING

Manufacturer and seller expressly disclaim any and all liability for personal injury, property damage or loss, whether direct, indirect, or incidental, resulting from the incorrect attachment, improper use, inadequate maintenance, or neglect of this product.