



**XOU24WDZGSX**

24" UNDERCOUNTER STAINLESS STEEL DUAL-ZONE WINE REFRIGERATOR WITH FIELD REVERSIBLE DOOR

## LIFESTYLE REFRIGERATION



**XOU24WDZGSX**

- Field Reversible Door
- Racks Fully Extend While Loaded
- Tri-Color LED Lighting
- Secure Lock For Each Door

### 24" UNDERCOUNTER DUAL-ZONE WINE COOLER WITH FIELD REVERSIBLE DOOR

Keep 16 bottles ready to serve in the upper zone at 41° to 50° while you store 30 bottles in the lower zone at 50° to 64°.

This elegant, efficient wine storage and serving center is the perfect choice for convenient entertaining. Both red and white wines are close at hand with this quiet, undercounter unit. The XO Dual Zone Wine Cooler gives you the best of both worlds.

When it is all about the wine - it is all about XO.

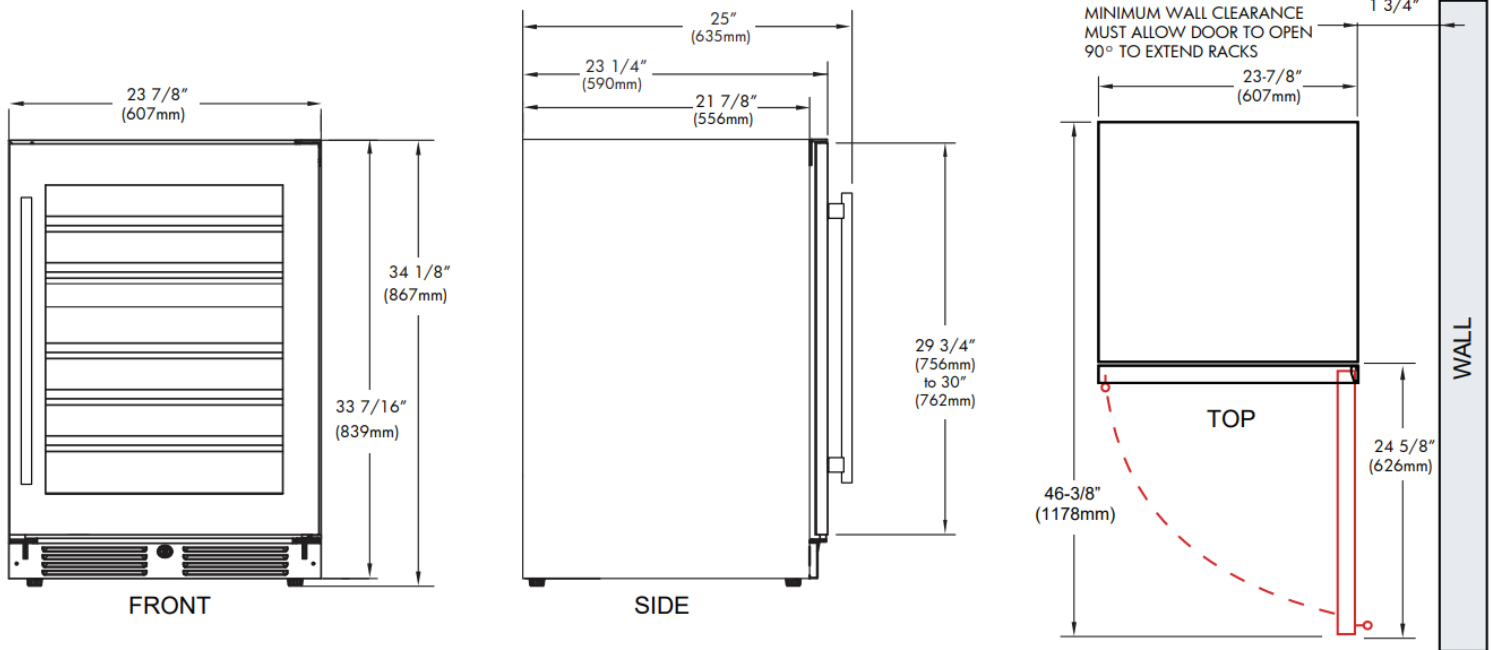
WORLD CLASS SERVICE | COMPREHENSIVE WARRANTIES

**OUR LASTING COMMITMENT TO YOU**

# XOU24WDZGSX

## 24" STAINLESS STEEL DUAL-ZONE WINE COOLER WITH FIELD REVERSIBLE DOOR

\*Specify **R** for right hand hinge - or - **L** for left hand hinge



### FEATURES

### SPECIFICATIONS

#### CAPACITY

Full extension smooth glide racks hold:  
 (16) 750ml bottles upper section at 41° to 50° F  
 (30) 750ml bottles lower section at 50° to 64° F

#### FEATURES

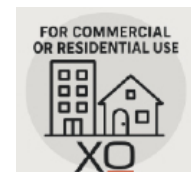
- Field Reversible Door
- Telescoping racks fully extend while loaded
- Have wine ready to serve at one temperature, while providing an ideal storage temperature for the rest.
- Tri-Color LED Lighting
- Flush Undercounter Installation design
- Independent intuitive electronic controls
- Secure Lock
- X-Active circulation ensures uniform temperature
- Low E-Glass blocks damaging UV light
- Quiet Operation 39 dBA
- Designed for residential or commercial settings

\* Note: zero clearance hinges are visible just above and below the door panel

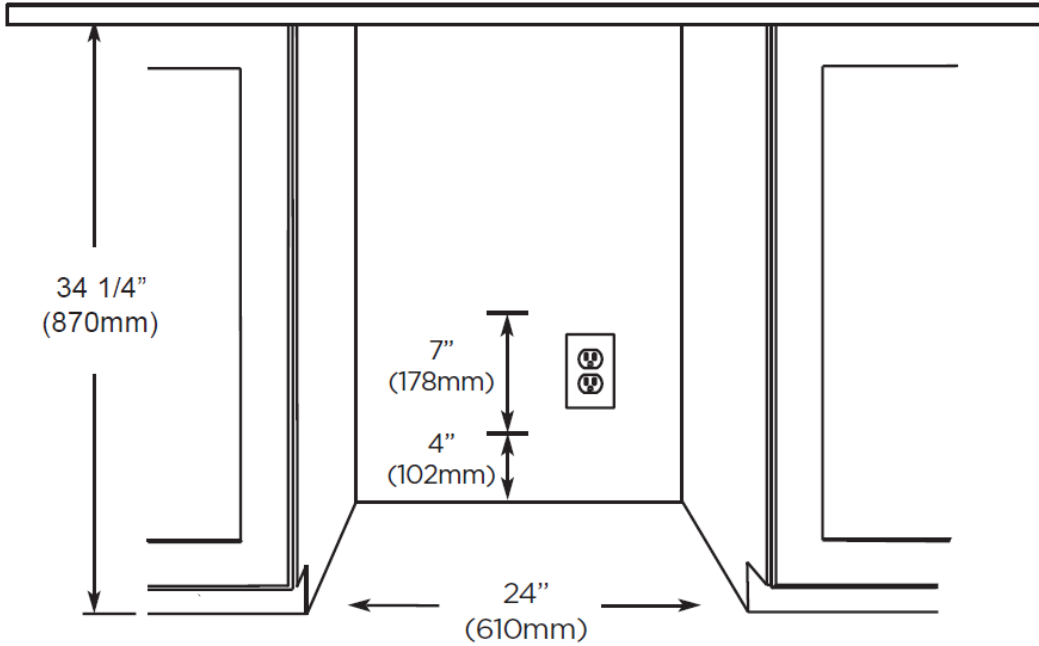
<b>ELECTRICAL</b>	120V 60HZ 4.35 AMP*
<b>DIMENSIONS</b>	H 34 1/8" W 23 7/8" D 23 1/4"
<b>ROUGH IN</b>	H 34 1/4" min W 24" D 24"
<b>REFRIGERANT</b>	R600A
<b>WEIGHT</b>	149 lbs



Two Different Style Handles Included



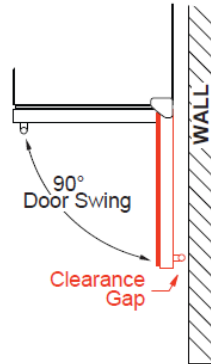
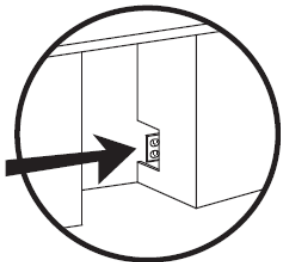
### ROUGH IN DIMENSIONS



ALL XO UNDERCOUNTER UNITS ARRIVE PRE-WIRED WITH LOW PROFILE PLUGS FOR EASY INSTALLATION



NEED MORE SPACE - CUT INTO AN ADJOINING CABINET TO REACH AN OUTLET THERE



WHEN INSTALLING WITH THE HINGE SIDE NEXT TO A WALL - LEAVE 1-3/4" CLEARANCE GAP FOR CABINET HANDLES

DOOR MUST BE ABLE TO OPEN A MINIMUM OF 90°.

CONSULT THE MANUAL FOR INSTRUCTIONS ON CHANGING THE DOOR STOP SETTING.