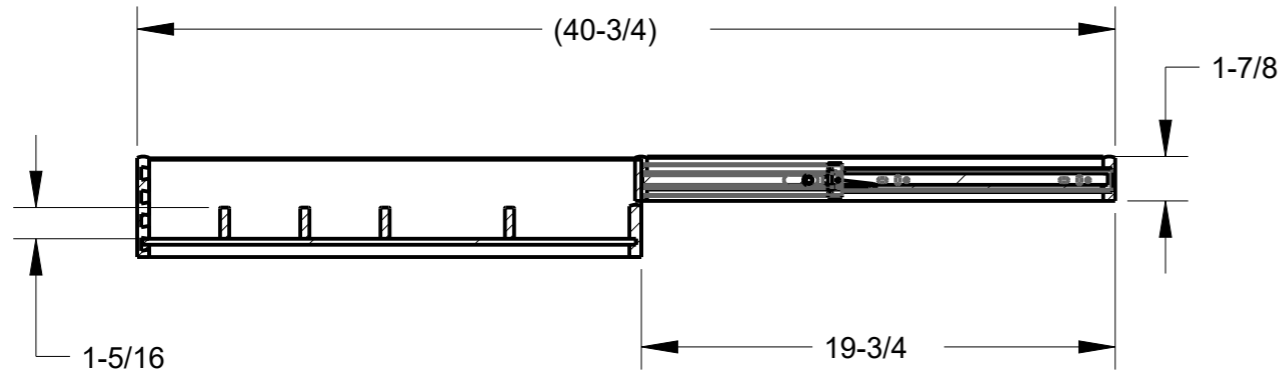
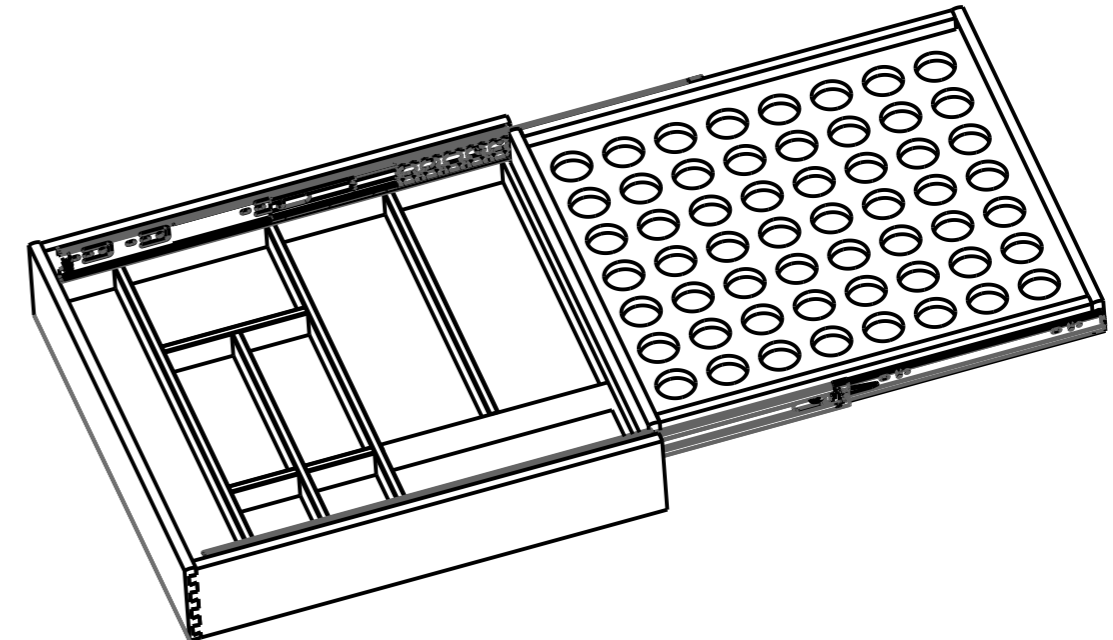
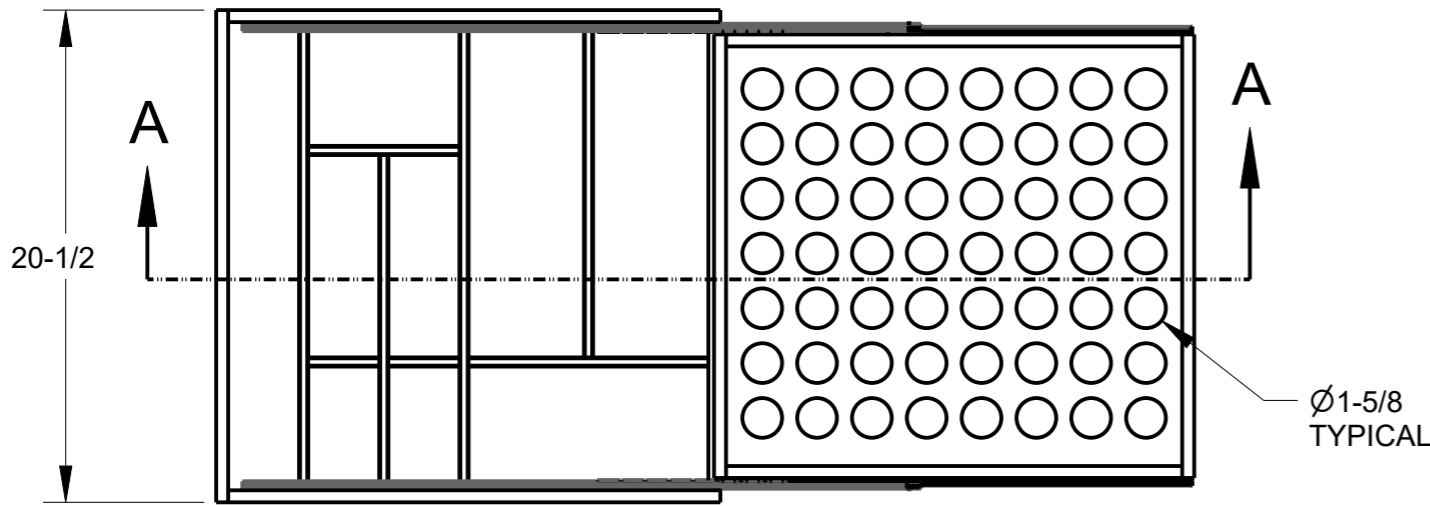


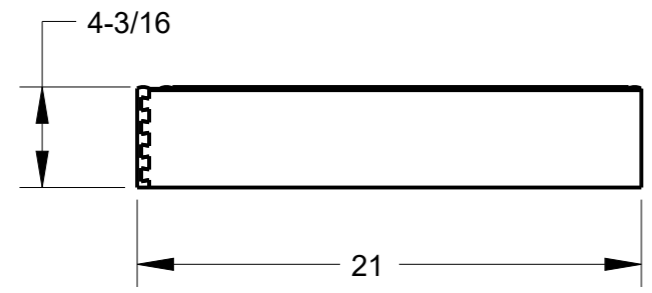
8 7 6 5 4 3 2 1

F
E
D
C
B
A

F
E
D
C
B
A



SECTION A-A



HARDWARE RESOURCES RESERVES THE RIGHT TO CHANGE SPECIFICATIONS WITHOUT NOTICE. IN CASE OF A DISCREPANCY, ACTUAL PART GEOMETRY SUPERSEDES THIS DOCUMENT.

THE INFORMATION CONTAINED WITHIN THIS DRAWING IS THE SOLE PROPERTY OF HARDWARE RESOURCES INC. ANY REPRODUCTION IN PART OR WHOLE WITHOUT WRITTEN PERMISSION OF HARDWARE RESOURCES INC. IS PROHIBITED.

DOCUMENT STATUS Released	
UNLESS OTHERWISE SPECIFIED DIMENSIONS ARE IN INCHES (IN)	
MATERIAL WHITE BIRCH	FINISH UV COATING
THIRD ANGLE PROJECTION 	DATE 23MAY2023

DESCRIPTION DOUBLE COFFEE DRAWER, WIDTH 21 INCH		
DRAWING NUMBER KNCD21		REV A
SIZE A3	SCALE 0.125	SHEET 1 / 1

8 7 6 5 4 3 2 1