

F29715

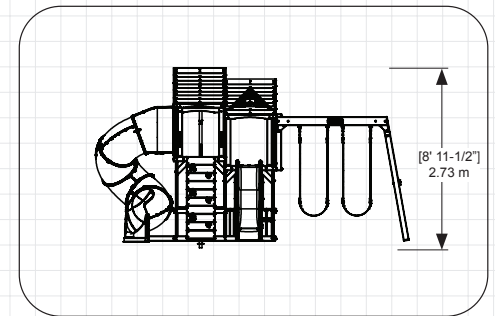
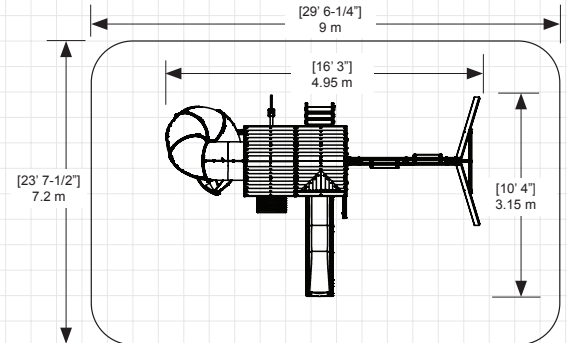
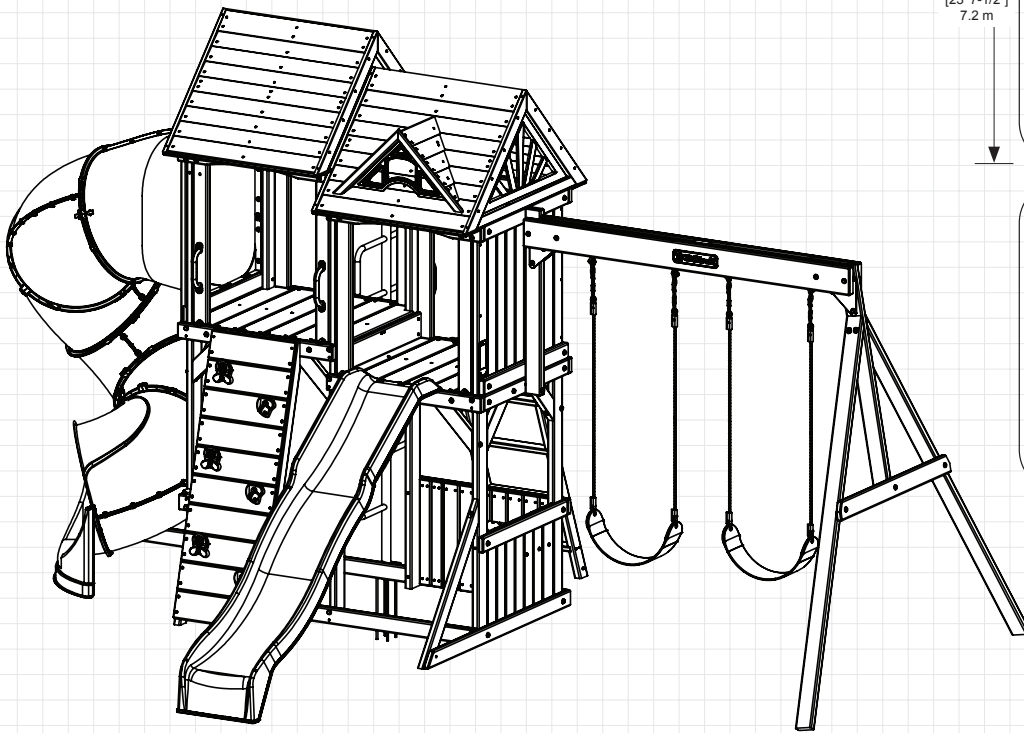
LAUREL RETREAT SWING SET

OBSTACLE FREE SAFETY ZONE - 29' 6-1/4" L x 23' 7-1/2" D x 15' 1/4" H (9 x 7.2 x 4.7 m) area requires Protective Surfacing. See page 4.

MAXIMUM VERTICAL FALL HEIGHT - 5' 11 1/4" (1.81 m).

CAPACITY - 10 Users Maximum, Ages 3 - 10; Weight Limit 110 lbs. (50 kg) per child.

RESIDENTIAL HOME USE ONLY. Not intended for public areas such as multi-unit residences, schools, churches, nurseries, day cares or parks.



INSTALLATION AND OPERATING INSTRUCTIONS

FOR 24/7 ONLINE PARTS REPLACEMENT

parts.kidkraft.com

KidKraft, Inc.
4630 Olin Road
Dallas, Texas 75244
USA

customerservice@kidkraft.com

1.800.933.0771
972.385.0100

parts.kidkraft.eu

KidKraft Netherlands BV
Olympisch Stadion 8
1076 DE Amsterdam
The Netherlands

europcustomerservice@kidkraft.com

+31 20 305 8620
M-F from 09:00 to 17:30 (GMT+1)

9409715

Rev 04/12/2023



⚠️ WARNING

To reduce the risk of serious injury or death, please read and follow these instructions. Keep and refer to instructions as needed and pass along to any future owners of this item.

Congratulations on purchasing a KidKraft product!

**Our items are made of high-quality,
durable Cunninghamia Lanceolata wood
from the cypress family.**

**Lumber from these trees are known for
their light weight and excellent strength.
The porosity of this wood allows the
moisture to absorb and evaporate in the
fibers, resisting rot and bugs.**

**Engineered for great play, our products
also go through extensive testing for safety.**

**Plus, our team has developed a series of
proprietary methods for a simpler, more
organized assembly. Less build time and
more play time is our motto!**

**However, during assembly if you have any
questions or concerns, please reach out.
Our Customer Service can help with missing
parts, instructions or maintenance.**



Warnings and Safe Play Instructions



CONTINUOUS ADULT SUPERVISION REQUIRED. Most serious injuries and deaths on playground equipment have occurred while children were unsupervised! Our products are designed to meet mandatory and voluntary safety standards. Complying with all warnings and recommendations in these instructions will reduce the risk of serious or fatal injury to children using this play system. Go over the warnings and safe play instructions regularly with your children and make certain that they understand and follow them. Remember on-site adult supervision is required for children of all ages.



WARNING

SERIOUS HEAD INJURY HAZARD

Installation over concrete, asphalt, dirt, grass, carpet and other hard surface creates a risk of serious injury or death from falls to the ground. Install and maintain shock absorbing material under and around play-set as recommended on page 4 of these instructions.

COLLISION HAZARD

Place play-set on level ground at least 2m from any obstruction such as a garage or house, fences, poles, trees, sidewalks, walls, landscape timbers, rocks, pavement, planters, garden borders, overhanging branches, laundry lines, and electrical wires. (See OBSTACLE FREE SAFETY ZONE on cover)

CHOKING HAZARD/SHARP EDGES & POINTS

Adult assembly required. This product contains small parts and parts with sharp edges and points. Keep parts away from children until fully assembled.

WARNING LABEL

Owners shall be responsible for maintaining the legibility of the warning labels.

STRANGULATION HAZARD

- NEVER allow children to play with ropes, clotheslines, pet leashes, cables, chains or cord-like items when using this play-set or to attach these items to play-set.
- NEVER allow children to wear loose fitting clothing, ponchos, hoods, scarves, capes, necklaces, items with draw-strings, cords or ties when using this play-set.
- NEVER allow children to wear bike or sport helmets when using this play-set.

Failure to prohibit these items, even helmets with chin straps, increases the risk of serious injury and death to children from entanglement and strangulation.

TIP OVER HAZARD

Choose a level location for the equipment. This can reduce the likelihood of the play set tipping over and loose-fill surfacing materials washing away during heavy rains.

DO NOT allow children to play on the play-set until the assembly is complete and the unit is properly anchored.

Never add extra length to chain or rope. The chains or ropes provided are the maximum length designed for the swinging element(s).



WARNING – Safe Play Instructions

- ✓ Observe capacity limitations of your play-set. See front cover.
- ✓ Dress children with well fitting and full foot enclosing footwear.
- ✓ Teach children to sit with their full weight in the center of the swing seat to prevent erratic swing motion or falling off.
- ✓ Check for splintered, broken or cracked wood; missing, loose, or sharp edged hardware. Replace, tighten and or sand smooth as required prior to playing.
- ✓ Verify that suspended climbing ropes, rope ladders, chain or cable are secured at both ends and cannot be looped back on itself as to create an entanglement hazard.
- ✓ On sunny and or hot days, check the slide and other plastic rides to assure that they are not very hot as to cause burns. Cool hot slide and rides with water and wipe dry prior to using.
- ✓ Orientate slide such that it gets the least amount of exposure to the sun.
- ✗ Do not allow children to wear open toe or heel footwear like sandals, flip-flops or clogs.
- ✗ Do not allow children to walk, in front, between, behind or close to moving rides.
- ✗ Do not let children twist swing chains or ropes or loop them over the top support bar. This may reduce the strength of the chain or rope and cause premature failure.
- ✗ Do not let children get off rides while they are in motion.
- ✗ Do not permit climbing on equipment when it is wet.
- ✗ Do not permit rough play or use of equipment in a manner for which it was not intended. Standing on or jumping from the roof, elevated platforms, swings, climbers, ladders or slide can be dangerous.
- ✗ Do not allow children to swing empty rides or seats.
- ✗ Do not allow children to go down slide head first or run up slide.



⚠️ Protective Surfacing - Reducing Risk of Serious Head Injury From Falls

One of the most important things you can do to reduce the likelihood of serious head injuries is to install shock-absorbing protective surfacing under and around your play equipment. The protective surfacing should be applied to a depth that is suitable for the equipment height in accordance with ASTM F1292. There are different types of surfacing to choose from; whichever product you select, follow these guidelines:

Loose-Fill Materials

- Maintain a minimum depth of 9 inches (23 cm) of loose-fill materials such as wood mulch/chips, engineered wood fiber (EWF), or shredded/recycled rubber mulch for equipment up to 8 feet (2.45 m) high; and 9 inches (23 cm) of sand or pea gravel for equipment up to 5 feet (1.5 m) high. NOTE: An initial fill level of 12 inches (31 cm) will compress to about a 9-inch (23 cm) depth of surfacing over time. The surfacing will also compact, displace, and settle, and should be periodically raked and refilled to maintain at least a 9-inch (23 cm) depth.
- Use a minimum of 6 inches (16 cm) of protective surfacing for play equipment less than 4 feet (1.22 m) in height. If maintained properly, this should be adequate. (At depths less than 6 inches (16 cm), the protective material is too easily displaced or compacted.)

NOTE: Do not install home playground equipment over concrete, asphalt, or any other hard surface. A fall onto a hard surface can result in serious injury to the equipment user. Grass and dirt are not considered protective surfacing because wear and environmental factors can reduce their shock absorbing effectiveness. Carpeting and thin mats are not adequate protective surfacing. Ground level equipment -- such as a sandbox, activity wall, playhouse or other equipment that has no elevated play surface -- does not need any protective surfacing.

- Use containment, such as digging out around the perimeter and/or lining the perimeter with landscape edging. Don't forget to account for water drainage.
- Periodically rake, check and maintain the depth of the loose-fill surfacing material. Marking the correct depth on the play equipment support posts will help you to see when the material has settled and needs to be raked and or replenished. Be sure to rake and evenly redistribute the surfacing in heavily used areas.
- Do not install loose fill surfacing over hard surfaces such as concrete or asphalt.

Poured-In-Place Surfaces or Pre-Manufactured Rubber Tiles

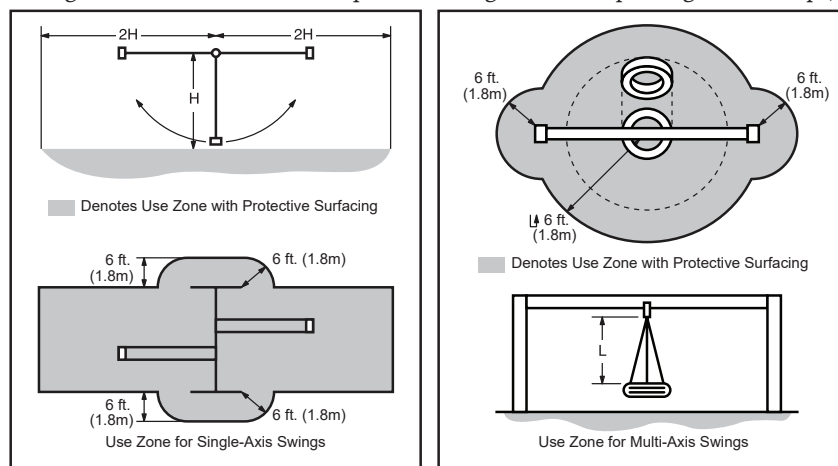
You may be interested in using surfacing other than loose-fill materials - like rubber tiles or poured-in-place surfaces.

- Installations of these surfaces generally require a professional and are not “do-it yourself” projects.
- Review surface specifications before purchasing this type of surfacing. Ask the installer/manufacturer for a report showing that the product has been tested to the following safety standard: ASTM F1292 *Standard Specification for Impact Attenuation of Surfacing Materials within the Use Zone of Playground Equipment*. This report should show the specific height for which the surface is intended to protect against serious head injury. This height should be equal to or greater than the fall height - vertical distance between a designated play surface (*elevated surface for standing, sitting, or climbing*) and the protective surfacing below - of your play equipment.
- Check the protective surfacing frequently for wear.

Placement

Proper placement and maintenance of protective surfacing is essential. Refer to diagram on front cover. Be sure to;

- Extend surfacing at least 6 feet (1.8 m) from the equipment in all directions.
- For to-fro swings, extend protective surfacing in front of and behind the swing to a distance equal to twice the height of the top bar from which the swing is suspended.
- For tire swings, extend surfacing in a circle whose radius is equal to the height of the suspending chain or rope, plus 6 feet (1.8 m) in all directions.



From the CPSC Outdoor Home Playground Safety Handbook. At <http://www.playgroundregs.com/resources/CPSC%20324.pdf>

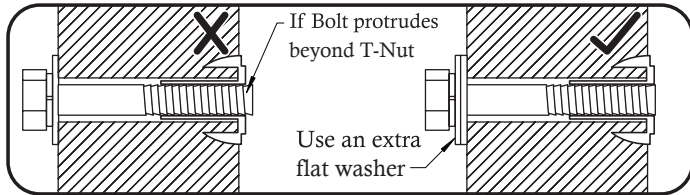
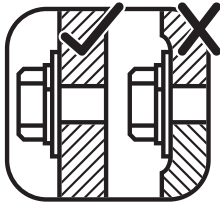
Instructions for Proper Maintenance

Your KidKraft Play System is designed and constructed of quality materials with your child's safety in mind. As with all outdoor products used by children, it will weather and wear. To maximize the enjoyment, safety and life of your Play Set, it is important that you, the owner, properly maintain it.

Check the following at the beginning of the play season:

HARDWARE:

- ✓ Check metal parts for rust. If found, sand and repaint using a non-lead paint complying with 16 CFR 1303.
- ✓ Inspect and tighten all hardware. On wood assemblies **DO NOT OVER-TIGHTEN** as to cause crushing and splintering of wood.
- ✓ Check for sharp edges or protruding screw threads, add washers if required.



SHOCK ABSORBING SURFACING:

- ✓ Check for foreign objects. Rake and check depth of loose fill protective surfacing materials to prevent compaction and maintain appropriate depth. Replace as necessary. (See Protective Surfacing, page 4)

GROUND STAKES (ANCHORS):

- ✓ Check for looseness, damage or deterioration. Should firmly anchor unit to ground during use. Re-secure and or replace, if necessary.

SWING HANGERS:

- ✓ Check that bolts are secure and tight. Quick clips should be completely closed and threaded clips screwed tight.
- ✓ If squeaking occurs lubricate bushings with oil or WD-40®.

SWINGS, ROPES AND RIDES:

- ✓ Reinstall if removed during cold season. Check all moving parts including swing seats, ropes, chains and attachments for wear, rust and other deterioration. Replace as needed.
- ✓ Check that ropes are tight, secure at both ends and cannot loop back as to create an entrapment.

WOOD PARTS:

- ✓ Check all wood members for deterioration, structural damage and splintering. Sand down splinters and replace deteriorated wood members. As with all wood, some checking and small cracks in grain is normal.
- ✓ Applying a water repellent or stain (water-based) on a yearly basis is important maintenance to maintain maximum life and performance of the product.

Check twice a month during play season:

HARDWARE:

- ✓ Inspect for tightness. Must be firmly against, but not crushing the wood. **DO NOT OVER-TIGHTEN.** This will cause splintering of wood.
- ✓ Check for sharp edges or protruding screw threads. Add washers if required.

SHOCK ABSORBING SURFACING:

- ✓ Rake and check depth of loose fill protective surfacing materials to prevent compaction and maintain appropriate depth. Replace as necessary. (See Protective Surfacing, page 4)

Check once a month during play season:

SWING HANGERS:

- ✓ Check that they are secure and orientated correctly. Hook should rotate freely and perpendicular to support beam.
- ✓ If squeaking occurs lubricate bushings with oil or WD-40®.

SWINGS AND RIDES:

- ✓ Check swing seats, all ropes, chains and attachments for fraying, wear, excessive corrosion or damage. Replace if structurally damaged or deteriorated.

Check at the end of the play season:

SWINGS AND RIDES:

- ✓ To prolong their life, remove swings and store inside when outside temperature is below 32°F/0°C. Below freezing, plastic parts may become more brittle.

SHOCK ABSORBING SURFACING:

- ✓ Rake and check depth of loose fill protective surfacing materials to prevent compaction and maintain appropriate depth. Replace as necessary. (See Protective Surfacing, page 4)

If you dispose of your play set: Please disassemble and dispose of your unit so that it does not create any unreasonable hazards at the time it is discarded. Be sure to follow your local waste ordinances.

About Our Wood

KidKraft Premium Play Systems uses only premium playset lumber, ensuring the safest product for your children's use. Although we take great care in selecting the best quality lumber available, wood is still a product of nature and susceptible to weathering which can change the appearance of your set.

What causes weathering? Does it affect the strength of my Play System?

One of the main reasons for weathering is the effects of water (moisture); the moisture content of the wood at the surface is different than the interior of the wood. As the climate changes, moisture moves in or out of the wood, causing tension which can result in checking and or warping. You can expect the following due to weathering. These changes will not affect the strength of the product:

1. **Checking** is surface cracks in the wood along the grain. A post 4" x 4" (101mm x 101mm) will experience more checking than a board 1" x 4" (25mm x 101mm) because the surface and interior moisture content will vary more widely than in thinner wood.
2. **Warping** results from any distortion (twisting, cupping) from the original plane of the board and often happens from rapid wetting and drying of the wood.
3. **Fading** happens as a natural change in the wood color as it is exposed to sun-light and will turn a grey over time.

How can I reduce the amount of weathering to my Play System?

At the factory we have coated the wood with a water repellent or stain. This coating decreases the amount of water absorption during rain or snow thus decreasing the tension in the wood. Sunlight will break down the coating, so we recommend applying a water repellent or stain on a yearly basis (see your local stain and paint supplier for a recommended product).

Most weathering is just the normal result of nature and will not affect safe play and enjoyment for your child. However if you are concerned that a part has experienced a severe weathering problem please call our consumer relations department for further assistance.

Complete and mail registration card to receive important product notifications and assure prompt warranty service.

KidKraft Limited Warranty

MISSING OR DAMAGED PARTS:

KidKraft will replace any parts within 90 days from date of purchase found to be missing from or damaged in the original packaging. See Fig.1

Fig. 1	<u>Product Age (All Parts)</u> 0-90 Days from date of purchase	<u>Consumer Pays</u> \$0 for Part + Free Shipping
--------	---	--

DEFECTS IN MATERIAL AND WORKMANSHIP:

KidKraft warrants that this product is free from defects in materials and workmanship for a period of one (1) year from the original date of purchase (dated sales receipt and/or product registration is required). This one (1) year warranty covers all parts including wood, hardware, and all accessories (Such as swings, rides, and slides). See Fig. 2

Fig. 2	<u>Product Age (All Parts)</u> 91 Days to 1 Year	<u>Consumer Pays</u> \$0 for Part + Free Shipping
--------	---	--

WOOD ROT, DECAY, AND INSECT DAMAGE:

All wood carries a five (5) year warranty against rot, decay, and insect damage (dated sales receipt and/or product registration is required). Refer to the schedule below for charges associated with replacement of wood parts under this **Limited Warranty**. See Fig. 3

Fig. 3	<u>Product Age (Wood Parts)</u> 0 Days to 1 Year After 1 Year to 5 Year Over 5 Years	<u>Consumer Pays</u> \$0 for Part + Free Shipping \$0 for Part + Shipping & Handling 100% for Part (if available) + Shipping & Handling
--------	---	--

This warranty applies to the original owner and registrant and is non-transferable. Regular maintenance is required to ensure the integrity of this product. Failure by the owner to maintain the product according to the maintenance requirements may void this warranty.

This Limited Warranty does NOT cover:

- Any inspection cost
- Labor and/or costs for replacement of any defective item(s), including but not limited to, professional installer costs
- Incidental or consequential damages, including but not limited to, as a result of set relocation, move and/or reinstall
- Cosmetic defects which do not affect performance or integrity of a part or the entire product
- Vandalism, improper use or installation, or acts of nature, including but not limited to, high winds, fire, and flood
- Minor twisting, warping, checking, or any natural occurring properties of wood that do not affect performance or integrity.
- Any KidKraft product purchased, including but not limited to, a non-approved retailer, auction houses, second-hand, and as-is clearance items.

KidKraft products have been designed for safety and quality. Modifications made to the original product may damage the structural integrity of the unit leading to failure and possible injury. KidKraft cannot assume any responsibility for the modified products. Furthermore, modifications void all warranties.

This product is warranted for **RESIDENTIAL USE ONLY**. Under no circumstance should a KidKraft product be used in public settings such as schools, churches, playgrounds, parks, home and professional day cares and the like. Such use may lead to product failure and potential injury. Public use will void this warranty. KidKraft disclaims all other representations and warranties of any kind, express or implied.



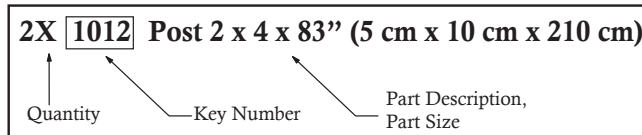
Keys to Assembly Success

Tools Required

<ul style="list-style-type: none"> • Tape Measure • Carpenters Level • Carpenters Square • Claw Hammer • Standard or Cordless Drill • Rubber Mallet 	<ul style="list-style-type: none"> • #1 Phillips, #2 Robertson and Screwdriver • Ratchet with extension 1/2" (13mm) & 7/16" (11 mm) sockets 	<ul style="list-style-type: none"> • Open End Wrench 1/2" (13mm) & 7/16" (11 mm) • Adjustable Wrench • 1/8" (3mm) & 3/16" (5mm) Drill Bits 	<ul style="list-style-type: none"> • 3/16" (5mm) Hex Key • 8' (2.4m) Step Ladder • Safety Glasses • Adult Helpers • Pencil
---	---	---	---

Part Identification Key

On each page, you will find the parts and quantities required to complete the assembly step illustrated on that page. Here is a sample.



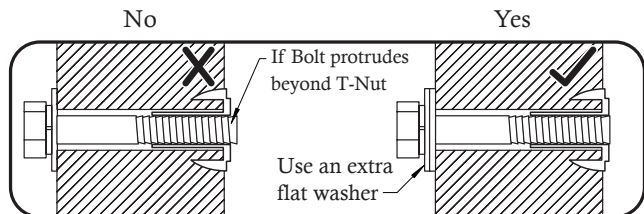
Symbols

Throughout these instructions symbols are provided as important reminders for proper and safe assembly.

<p>This identifies information that requires special attention. Improper assembly could lead to an unsafe or dangerous condition.</p>	<p>Check that set or assembly is properly level before proceeding.</p> <p>Use Level</p>
<p>Use Help</p> <p>Use Help</p> <p>Where this is shown, 2 or 3 people are required to safely complete the step. To avoid injury or damage to the assembly make sure to get help!</p>	<p>Pre-drill 1/8" (3mm) Bit</p> <p>Pre-drill a pilot hole before fastening screw or lag to prevent splitting of wood.</p> <p>3mm</p>
<p>Measure Distance</p> <p>Check that assembly is square before tightening bolts.</p> <p>Square Assembly</p> <p>Use a measuring tape to assure proper location.</p>	<p>Tighten Bolts</p> <p>This indicates time to tighten bolts, but not too tight! Do not crush the wood. This may create splinters and cause structural damage.</p>

CAUTION – Protrusion Hazard

Once the assembly is tightened, watch for exposed threads. If a thread protrudes from the T-Nut, remove the bolt and add washers to eliminate this condition. Extra washers have been provided for this purpose.

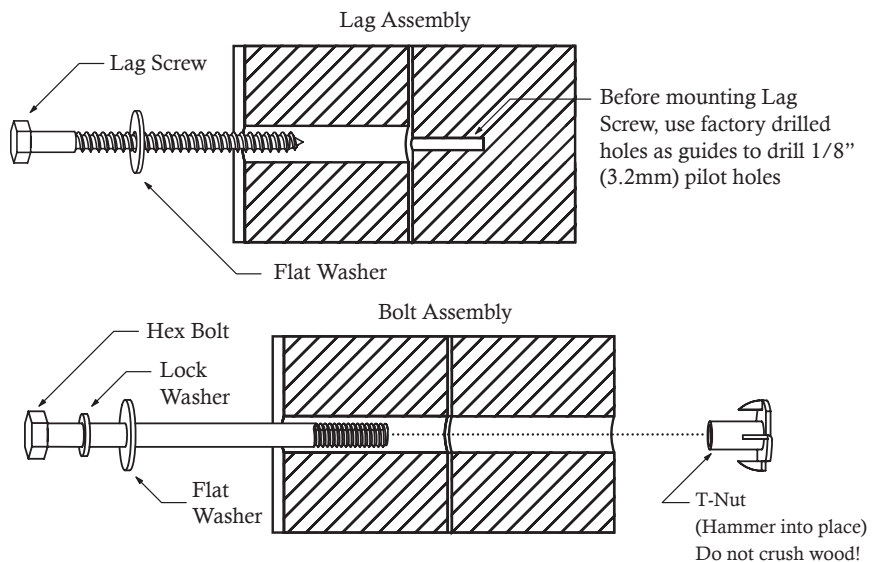


Proper Hardware Assembly

Lag screws require drilling pilot holes to avoid splitting wood. Only a flat washer is required. For ease of installation liquid soap can be used on all lag-type screws.

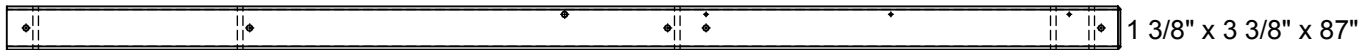
For bolts, tap T-Nut into hole with hammer. Insert the hex bolt through lock washer first then flat washer then hole. Because the assemblies need to be squared do not completely tighten until instructed. Pay close attention to diameter of the bolts. 5/16" (8mm) is slightly larger than 1/4" (6.4mm).

Note: Wafer head bolts with blue lock tight or a bolt with a Ny-Lok nut do NOT require a lock washer.



Part Identification (Reduced Size)

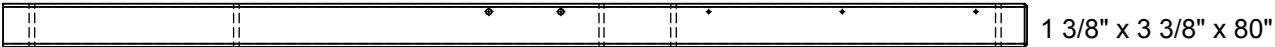
2x - **11241** - 34.9 mm x 85.7 mm x 2209.8 mm - 36411241



2x - **11242** - 34.9 mm x 85.7 mm x 2032 mm - 36411242



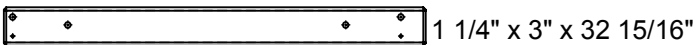
2x - **11243** - 34.9 mm x 85.7 mm x 2032 mm - 36411243



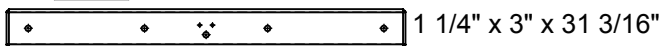
2x - **11244** - 31.8 mm x 76.2 mm x 840.2 mm - 36411244



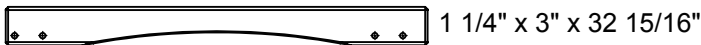
2x - **11245** - 31.8 mm x 76.2 mm x 837.1 mm - 36411245



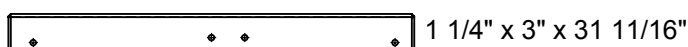
2x - **11246** - 31.8 mm x 76.2 mm x 791.4 mm - 36411246



2x - **11247** - 31.8 mm x 76.2 mm x 837.1 mm - 36411247



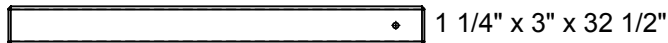
1x - **11248** - 31.8 mm x 76.2 mm x 805.3 mm - 36411248



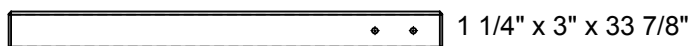
2x - **11249** - 31.8 mm x 76.2 mm x 805.3 mm - 36411249



4x - **11250** - 31.8 mm x 76.2 mm x 825.5 mm - 36411250



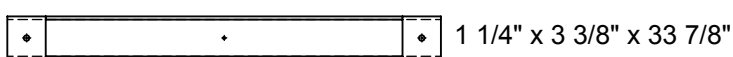
4x - **11251** - 31.8 mm x 76.2 mm x 860.4 mm - 36411251



2x - **11252** - 31.8 mm x 76.2 mm x 791.4 mm - 36411252



2x - **11253** - 31.8 mm x 85.7 mm x 860.4 mm - 36411253



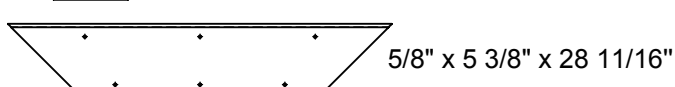
2x - **11254** - 31.8 mm x 76.2 mm x 791.4 mm - 36411254



4x - **11255** - 15.9 mm x 136.5 mm x 837.1 mm - 35811255

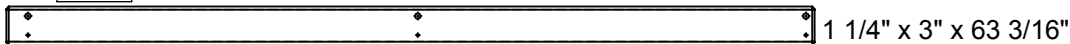


2x - **11256** - 15.9 mm x 136.5 mm x 729 mm - 35811256

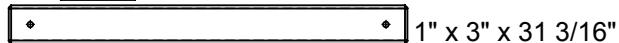


Part Identification (Reduced Size)

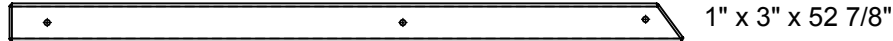
2x - **11257** - 31.8 mm x 76.2 mm x 1604.2 mm - 36411257



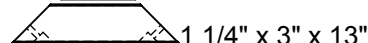
3x - **11258** - 25.4 mm x 76.2 mm x 791.4 mm - 36411258



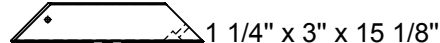
1x - **11259** - 25.4 mm x 76.2 mm x 1342.8 mm - 36411259



8x - **10799** - 31.8 mm x 76.2 mm x 330.2 mm - 36410799



4x - **10800** - 31.8 mm x 76.2 mm x 384.1 mm - 36410800



1x - **11260** - 31.8 mm x 63.5 mm x 742 mm - 36411260



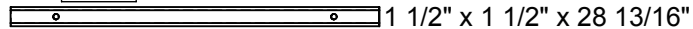
1x - **11261** - 31.8 mm x 63.5 mm x 805 mm - 36411261



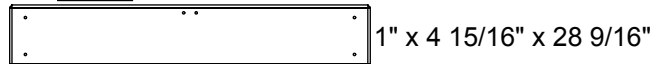
2x - **11262** - 38.1 mm x 38.1 mm x 735 mm - 36411262



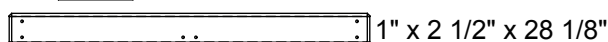
2x - **11263** - 38.1 mm x 38.1 mm x 731.5 mm - 36411263



1x - **11264** - 25.4 mm x 125 mm x 725.8 mm - 36411264



1x - **11265** - 25.4 mm x 63.5 mm x 714 mm - 36411265



8x - **11266** - 15.9 mm x 136.5 mm x 787.4 mm - 35811266



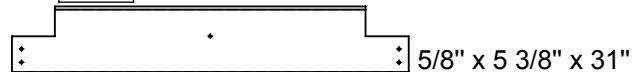
2x - **11267** - 15.9 mm x 136.5 mm x 787.4 mm - 35811267



1x - **11268** - 15.9 mm x 80.9 mm x 787.4 mm - 35811268



1x - **11269** - 15.9 mm x 136.5 mm x 787.4 mm - 35811269

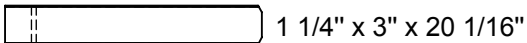


Part Identification (Reduced Size)

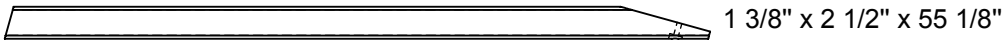
1x - **11270** - 31.8 mm x 76.2 mm x 880.8 mm - 36411270



1x - **11271** - 31.8 mm x 76.2 mm x 510 mm - 36411271



2x - **11272** - 34.9 mm x 63.5 mm x 1400 mm - 36411272



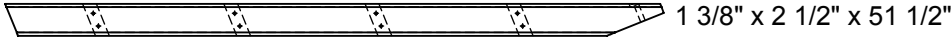
4x - **11273** - 15.9 mm x 136.5 mm x 457 mm - 35811273



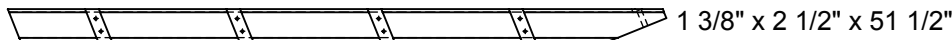
6x - **11274** - 15.9 mm x 136.5 mm x 457 mm - 35811274



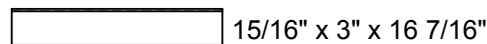
1x - **11275** - 34.9 mm x 63.5 mm x 1307.3 mm - 36411275



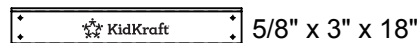
1x - **11276** - 34.9 mm x 63.5 mm x 1307.3 mm - 36411276



4x - **11060** - 23.8 mm x 76.2 mm x 418 mm - 36411060



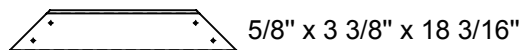
1x - **11277** - 15.9 mm x 76.2 mm x 456.5 mm - 36411277



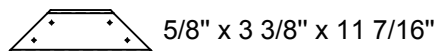
1x - **11278** - 15.9 mm x 85.7 mm x 633 mm - 36411278



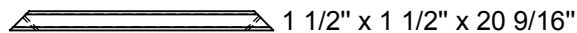
1x - **11279** - 15.9 mm x 85.7 mm x 462 mm - 36411279



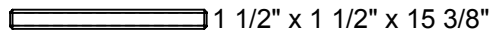
1x - **11280** - 15.9 mm x 85.7 mm x 290 mm - 36411280



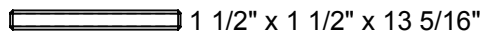
1x - **11281** - 38.1 mm x 38.1 mm x 523 mm - 36411281



1x - **11282** - 38.1 mm x 38.1 mm x 390 mm - 36411282



1x - **11283** - 38.1 mm x 38.1 mm x 338 mm - 36411283

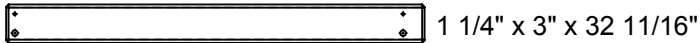


Part Identification (Reduced Size)

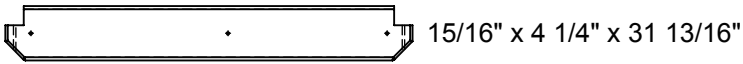
1x - **11284** - 31.8 mm x 76.2 mm x 833.8 mm - 36411284



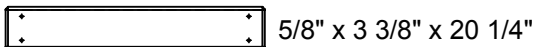
1x - **11285** - 31.8 mm x 76.2 mm x 830.7 mm - 36411285



1x - **11286** - 23.8 mm x 108 mm x 808.4 mm - 36411286



13x - **11287** - 15.9 mm x 85.7 mm x 514.3 mm - 36411287



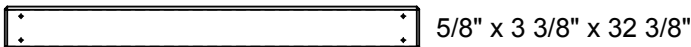
1x - **11288** - 15.9 mm x 101.6 mm x 514.3 mm - 36411288



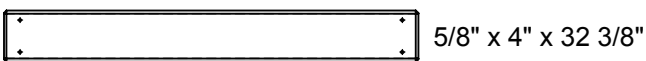
2x - **11289** - 15.9 mm x 63.5 mm x 514.3 mm - 36411289



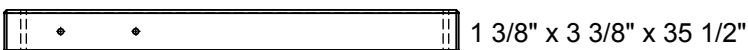
6x - **11290** - 15.9 mm x 85.7 mm x 822.2 mm - 36411290



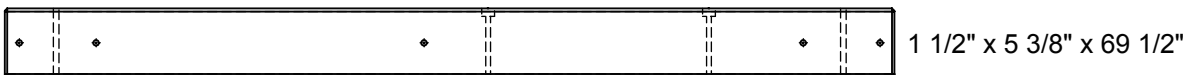
1x - **11291** - 15.9 mm x 101.6 mm x 822.2 mm - 36411291



1x - **11292** - 34.9 mm x 85.7 mm x 901.7 mm - 36411292



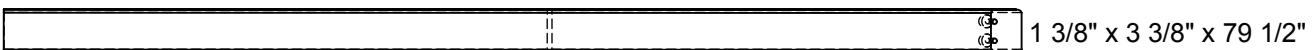
1x - **1772** - 38.1 mm x 136.5 mm x 1765.3 mm - 3631772



1x - **1773** - 38.1 mm x 136.5 mm x 1765.3 mm - 3631773



2x - **1749** - 34.9 mm x 85.7 mm x 2019.3 mm - 3641749

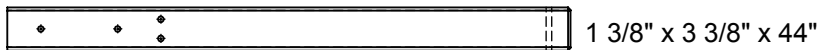


1x - **1755** - 25.4 mm x 88.9 mm x 1028.7 mm - 3641755

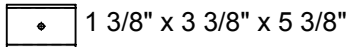


Part Identification (Reduced Size)

1x - **1756** - 34.9 mm x 85.7 mm x 1117.6 mm - 3641756



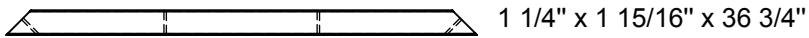
1x - **4919** - 34.9 mm x 85.7 mm x 136.5 mm - 3644919



1x - **10374** - 31.8 mm x 76.2 mm x 873.5 mm - 36410374



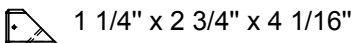
2x - **11293** - 31.8 mm x 49 mm x 934 mm - 35811293



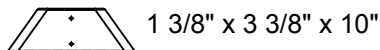
8x - **11294** - 31.8 mm x 69.9 mm x 800 mm - 35811294



2x - **11295** - 31.8 mm x 69.9 mm x 103 mm - 35811295



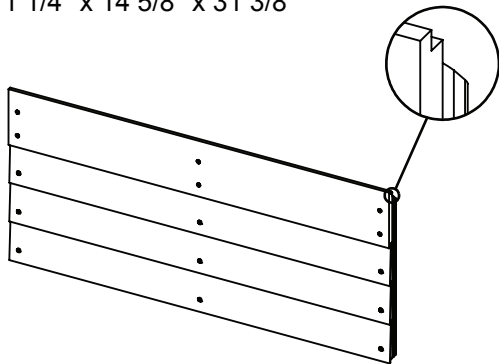
1x - **9122** - 34.9 mm x 85.7 mm x 254 mm - 3589122



2x - **9465** - 37589465

31.8 mm x 371.2 mm x 796.9 mm

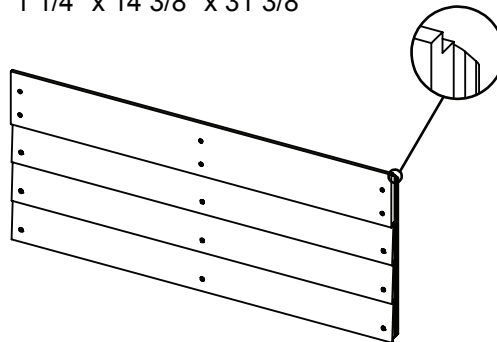
1 1/4" x 14 5/8" x 31 3/8"



2x - **9480** - 37589480

31.8 mm x 364.8 mm x 796.9 mm

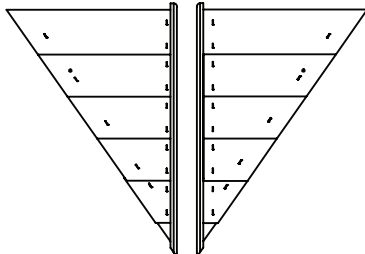
1 1/4" x 14 3/8" x 31 3/8"



1x - **531** **532** - 37588068

38.1 mm x 338.6 mm x 503 mm

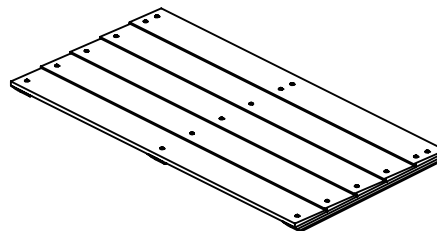
1-1/2" x 13 5/16" x 19 13/16"



4x - **9466** - 37589466

28.6 mm x 422 mm x 796.9 mm

1 1/8" x 16 5/8" x 31 3/8"

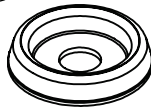


Hardware Identification (Actual Size)

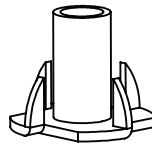
13 x **LW1** - 1/4" - 51303200
6.4mm



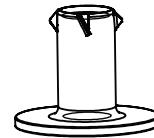
8 x **FW6** - #12 - 9299500



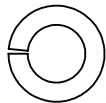
7 x **TN1** - 1/4" - 54503200
6.4mm



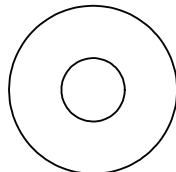
6 x **BN1** - 1/4" - 54803200
6.4mm



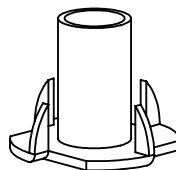
78 x **LW2** - 5/16" - 51303300
7.9mm



126 x **FW2** - 5/16" - 51103300
7.9mm



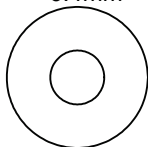
56 x **TN2** - 5/16" - 54503300
7.9mm



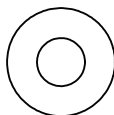
66 x **LN1** - 1/4" - 54303200
6.4mm



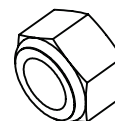
34 x **FW1** - 1/4" - 51103200
6.4mm



13 x **FW0** - 3/16" - 51103100
4.8mm



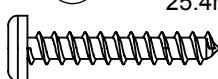
35 x **LN2** - 5/16" - 54303300
7.9mm



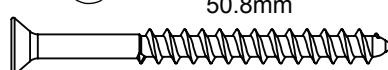
86 x **S0** - #8 x 7/8" - 52933505
22.2mm



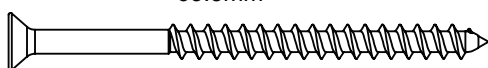
6 x **S10** - #8x 1" - 52433510
25.4mm



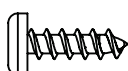
39 x **S11** - #8 x 2" - 52043520
50.8mm



40 x **S3** - #8 x 2-1/2" - 52043522
63.5mm



6 x **S13** - #6 x 5/8" - 52413908
15.9mm



4 x **S18** - #6 x 1" - 52013910
25.4mm



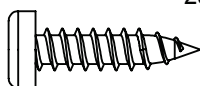
44 x **S4** - #8 x 3" - 52043530
76.2mm



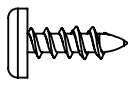
196 x **S20** - #8 x 1-3/8" - 52043516
34.9mm



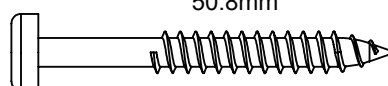
15 x **S6** - #12 x 1" - 52433610
25.4mm



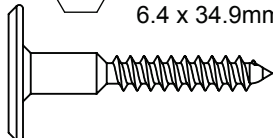
5 x **S37** - #7 x 5/8" - 52433009
15.9mm



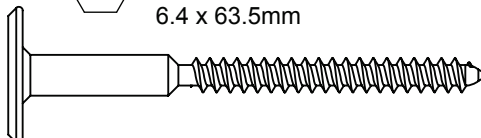
70 x **S7** - #12 x 2" - 52433620
50.8mm



8 x **WL3** - 1/4 x 1-3/8" - 52613216
6.4 x 34.9mm

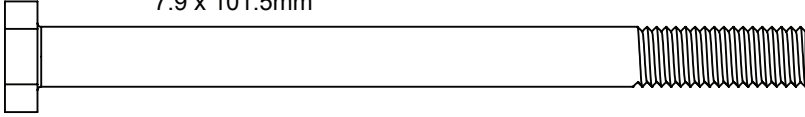


17 x **WL5** - 1/4 x 2-1/2" - 52613222
6.4 x 63.5mm

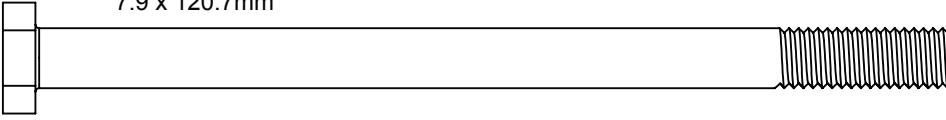


Hardware Identification (Actual Size)

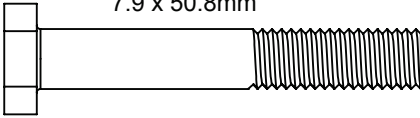
2 x **G4** - 5/16 x 4" - 53703340
7.9 x 101.5mm



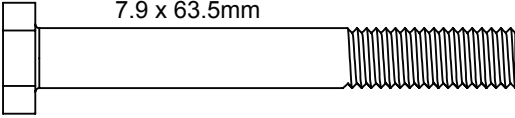
30 x **G6** - 5/16 x 4-3/4" - 53703343
7.9 x 120.7mm



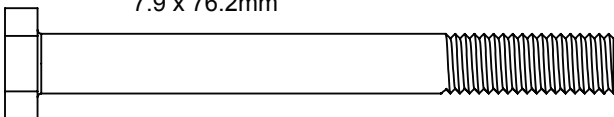
8 x **G8** - 5/16 x 2" - 53703320
7.9 x 50.8mm



17 x **G9** - 5/16 x 2-1/2" - 53703322
7.9 x 63.5mm



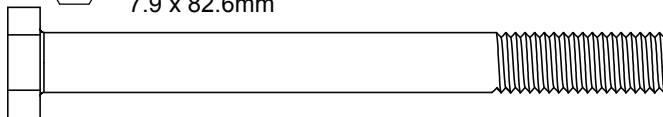
12 x **G10** - 5/16 x 3" - 53703330
7.9 x 76.2mm



2 x **G22** - 5/16 x 5" - 53703350
7.9 x 127mm



8 x **G35** - 5/16 x 3-1/4" - 53703331
7.9 x 82.6mm

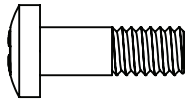


12 x **G36** - 5/16 x 2-3/4" - 53703323
7.9 x 69.9mm

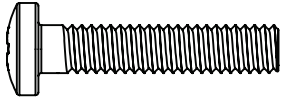


Hardware Identification (Actual Size)

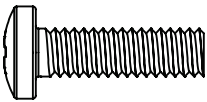
54 x **(PB1)** - 1/4 x 3/4" - 53453203
6.4 x 19.1mm



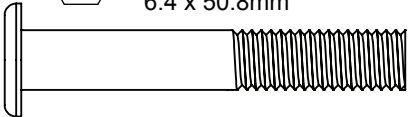
6 x **(PB2)** - 1/4 x 1-1/4" - 53433212
6.4 x 31.8mm



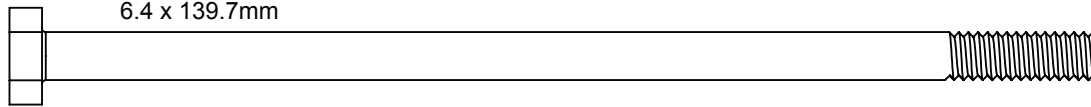
11 x **(PB6)** - 1/4 x 1" - 53413210
6.4 x 25.4mm



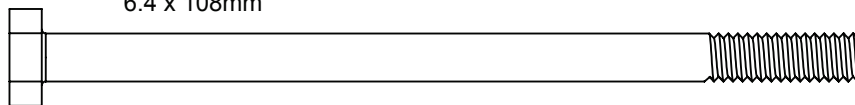
2 x **(WB4)** - 1/4 x 2" - 53613220
6.4 x 50.8mm



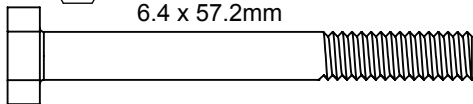
4 x **(H7)** - 1/4 x 5-1/2" - 53703252
6.4 x 139.7mm



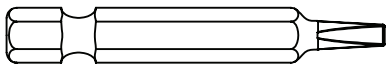
2 x **(H8)** - 1/4 x 4-1/4" - 53703241
6.4 x 108mm



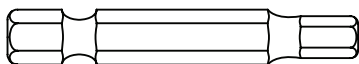
1 x **(H10)** - 1/4 x 2-1/4" - 53703221
6.4 x 57.2mm



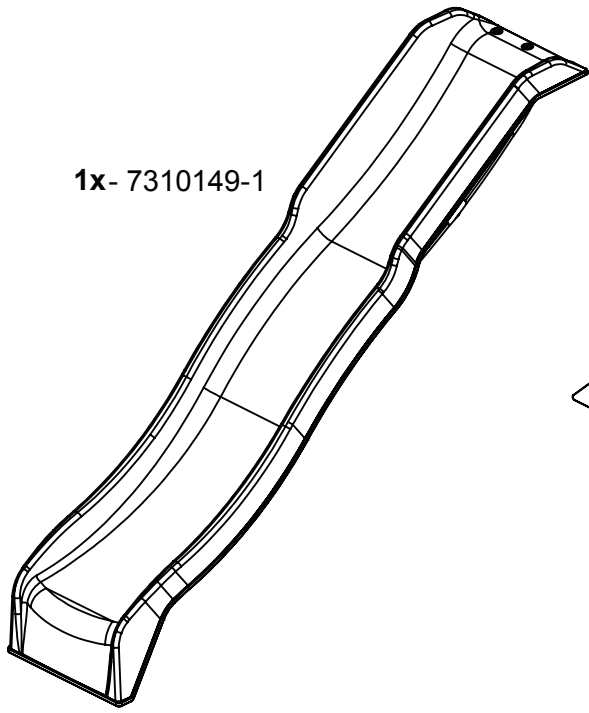
1 x **(D4)** - #2 x 2 - 9200014



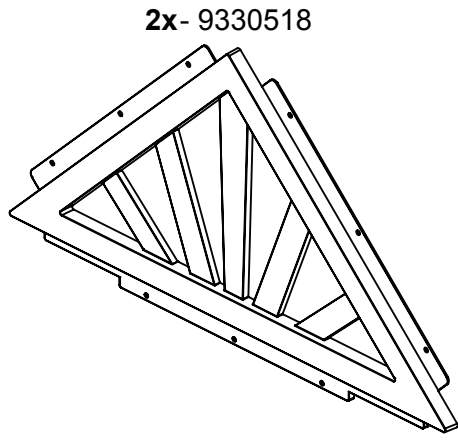
1 x **(D6)** - 3/16" - 9200019
4.8mm



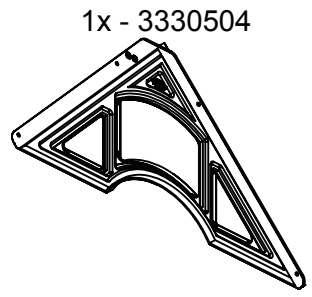
Part Identification (Reduced Part Size)



1x - 7310149-1



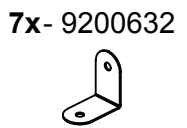
2x - 9330518



1x - 3330504

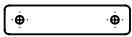


4x - 9320040



7x - 9200632

12x - 9200647



8x - 9206570



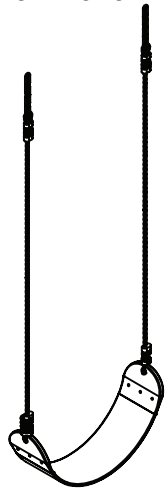
3x - 9320195



3x - 9320295

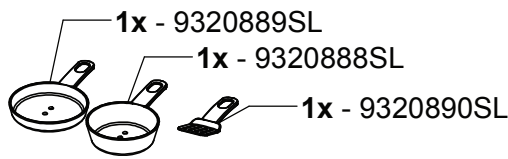
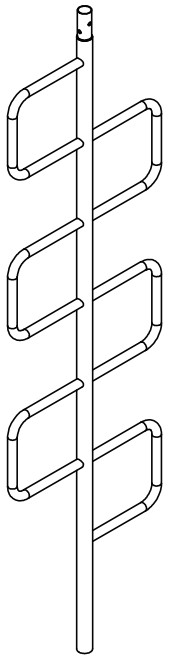
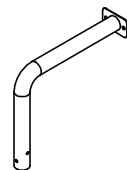


2x - 3724943



1x - 3200157

1x - 9200166



1x - 9320889SL

1x - 9320888SL

1x - 9320890SL

1x - 9200186

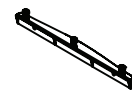


1x - 9320881

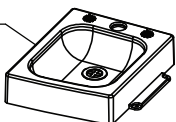
1x - 9320382

1x - 9320482

1x - 9320791



1x - 9330908



1x - 3330909



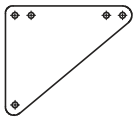
2 x - 52040302

2x - 9200087



Part Identification (Reduced Part Size)

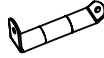
4x - 9200182



7x - 9290318



1x - 9200158



1x - 9320374

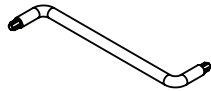
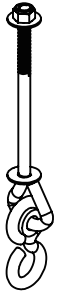


1x - 3320353



Included in hardware kit

4x - 9201563

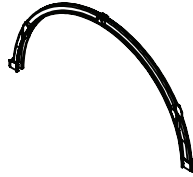


1x - D1(9200015)

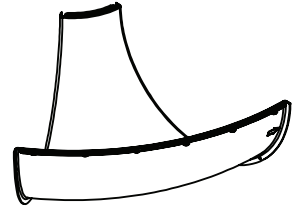


1x - 1/8 x 3"
(3.2 x 76.2mm) - 9300183

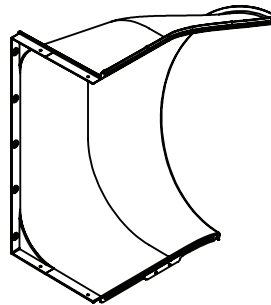
10x - 9300130



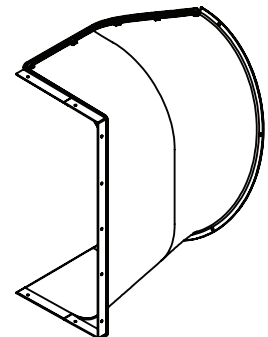
9x - 3310121



1x - 3310131



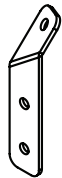
1x - 3310130



2x - (9200157)

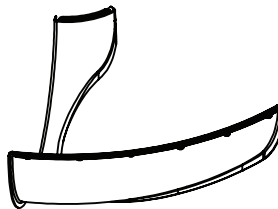


31x - (54902200)

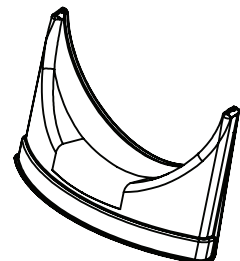


1x - (9200156)

1x - 3310124



1x - 3310132



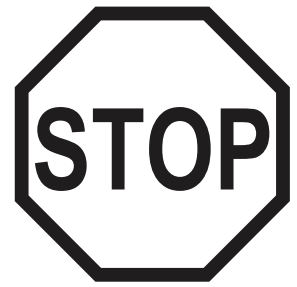
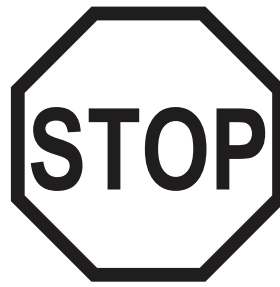
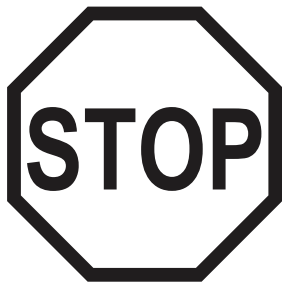
30x - (53453202)



1x - (53452209)

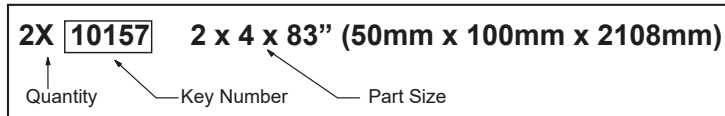


1 Inventory Parts - Read This Before Starting Assembly



Inventory should be completed before starting installation. KidKraft will not cover costs of any additional installation trip due to missing or damaged pieces.

- A. This is the time for you to inventory all your hardware, wood and accessories, referencing the parts identification sheets. This will assist you with your assembly.
- The wood pieces will have the key number stamped on the ends of the boards. Organize the wood pieces by step, as per the key numbering system below.



- B. Read the assembly manual completely, paying special attention to ANSI warnings; notes; and safety/maintenance information on pages 1 - 8.

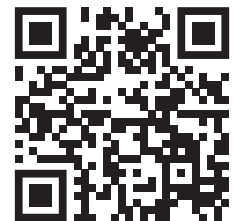
**If there are missing or damaged pieces,
please contact the KidKraft Consumer Engagement team
before going back to the retailer.**

Order Replacement Parts 24/7

You can order replacement parts for this product 24 hours a day / 7 days a week:

Outdoor Swingsets and Playhouse Parts Ordering
<https://parts.kidkraft.com/partsorderemail>

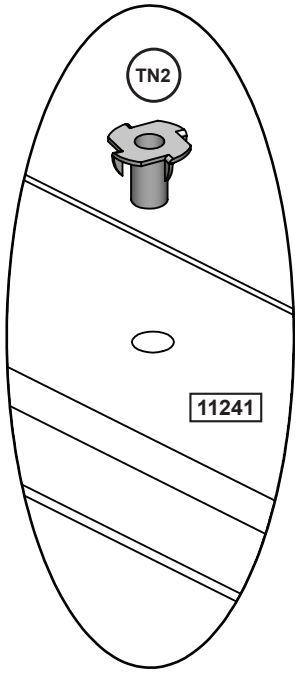
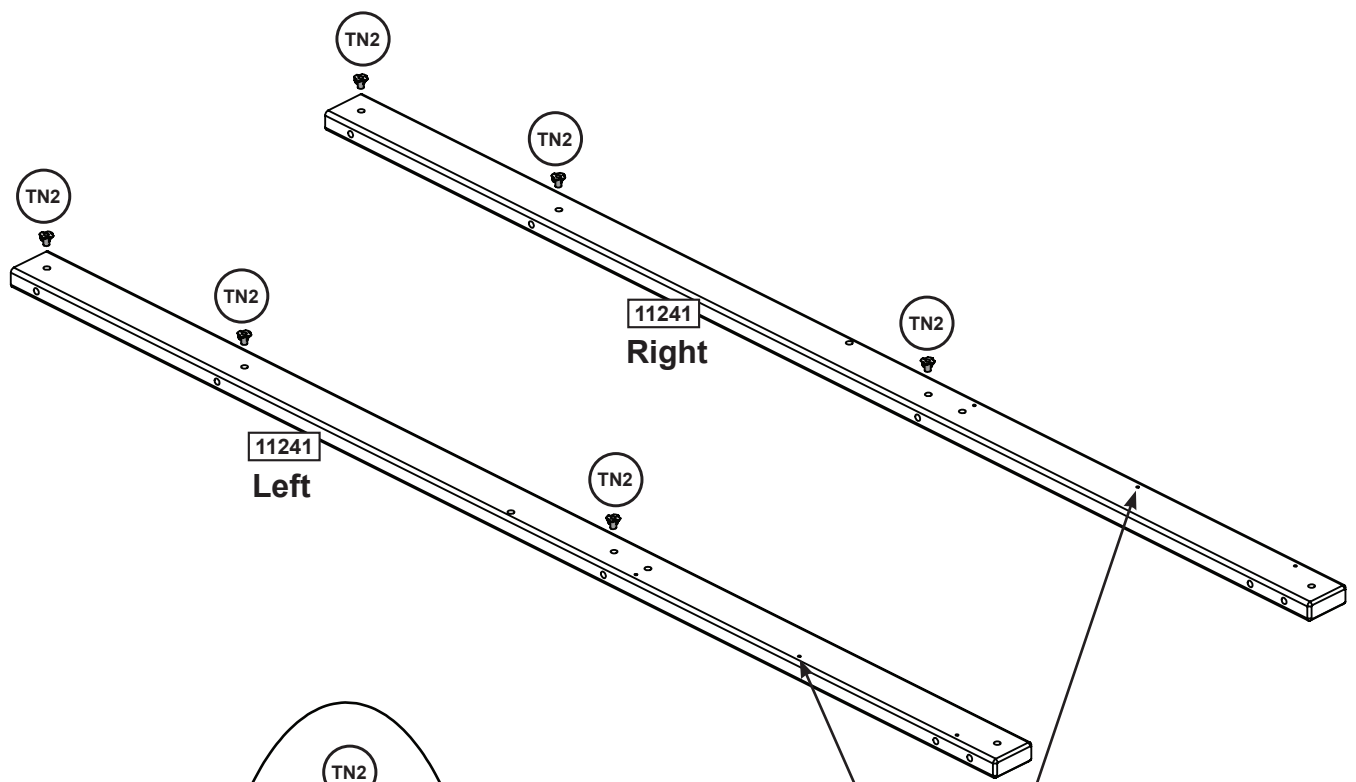
If you have assembly or product questions, please refer to the front cover for direct contact information for our Consumer Engagement team OR you can also use this QR code with your smartphone for common questions and contact information.



KidKraft Help Center <https://kidkraft.zendesk.com/hc/en-us/>



2



Note hole orientation.
Hammer T-Nut into the hole.



Wood Parts

2 x 11241 34.9 mm x 85.7 mm x 2209.8 mm (1 3/8" x 3 3/8" x 87")

Hardware

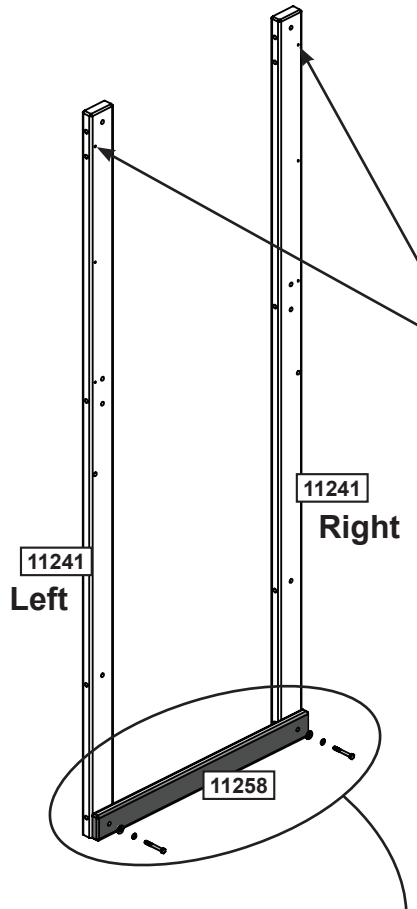
6 x TN2



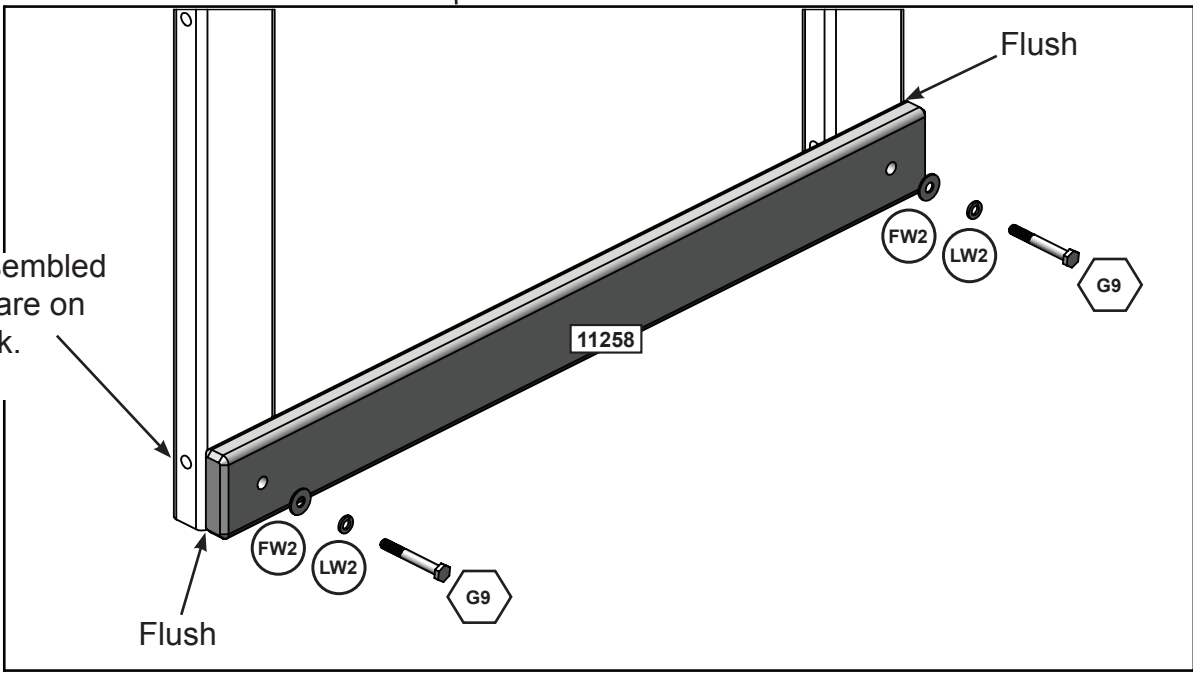
parts.kidkraft.com

customerservice@kidkraft.com
1.800.933.0771
972.385.0100

3



Note hole orientation
Make sure the assembly is square.



Wood Parts

1 x 11258 25.4 mm x 76.2 mm x 791.4 mm (1" x 3" x 31 3/16")

Hardware

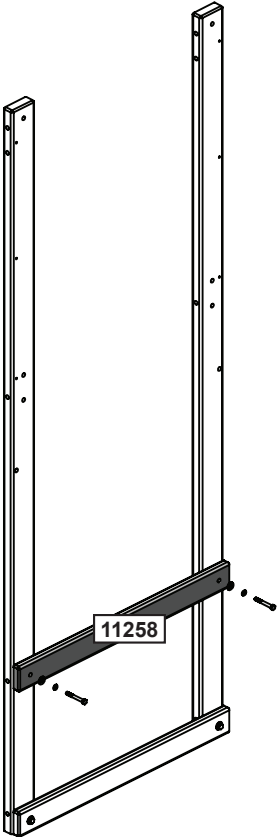
2 x G9 7.9 x 63.5 mm (5/16 x 2-1/2") (LW2, FW2)

europecustomerservice@kidkraft.com
+31 20 305 8620
M-F from 09:00 to 17:30 (GMT+1)

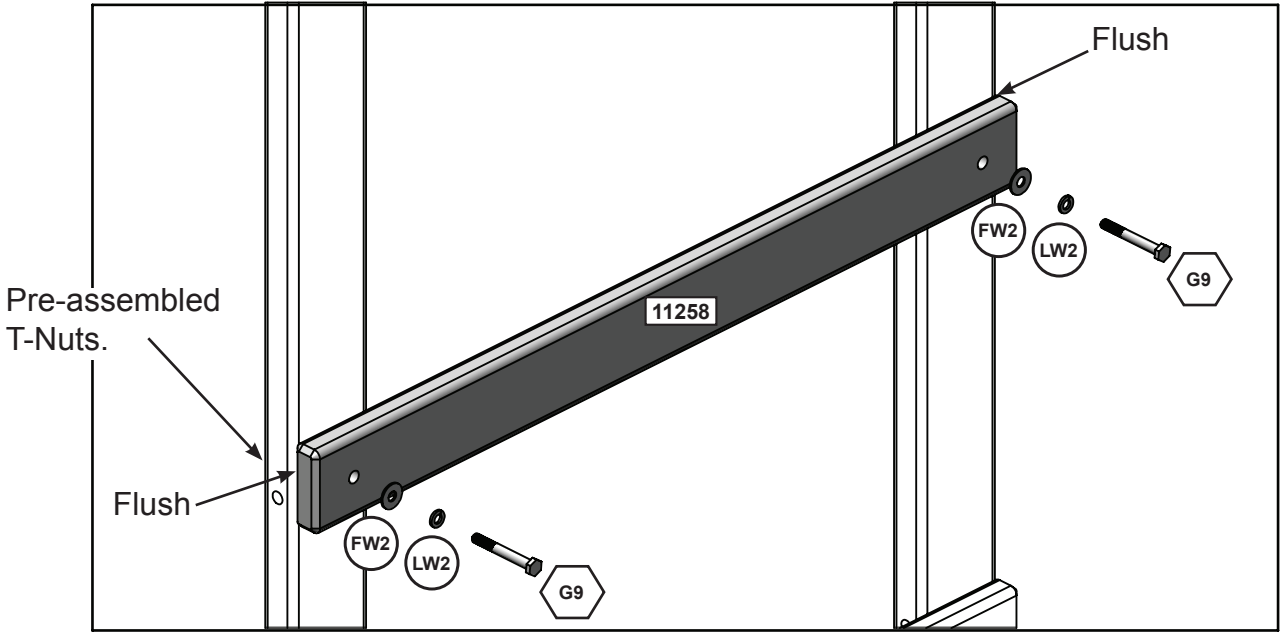
parts.kidkraft.eu



4



Make sure the assembly is square.



Wood Parts

1 x **11258** 25.4 mm x 76.2 mm x 791.4 mm (1" x 3" x 31 3/16")

Hardware

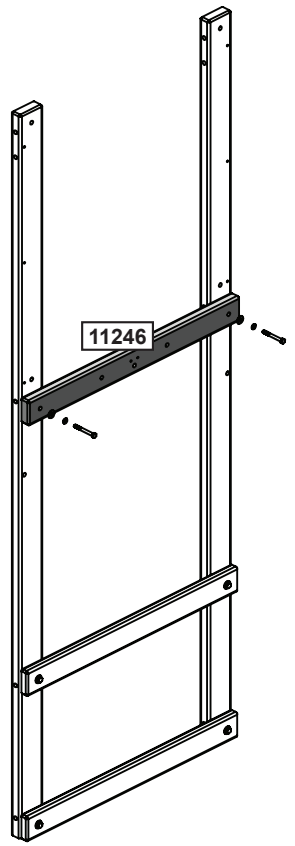
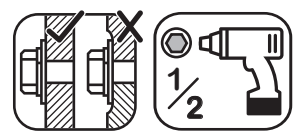
2 x **G9** 7.9 x 63.5 mm (5/16 x 2-1/2") (LW2, FW2)



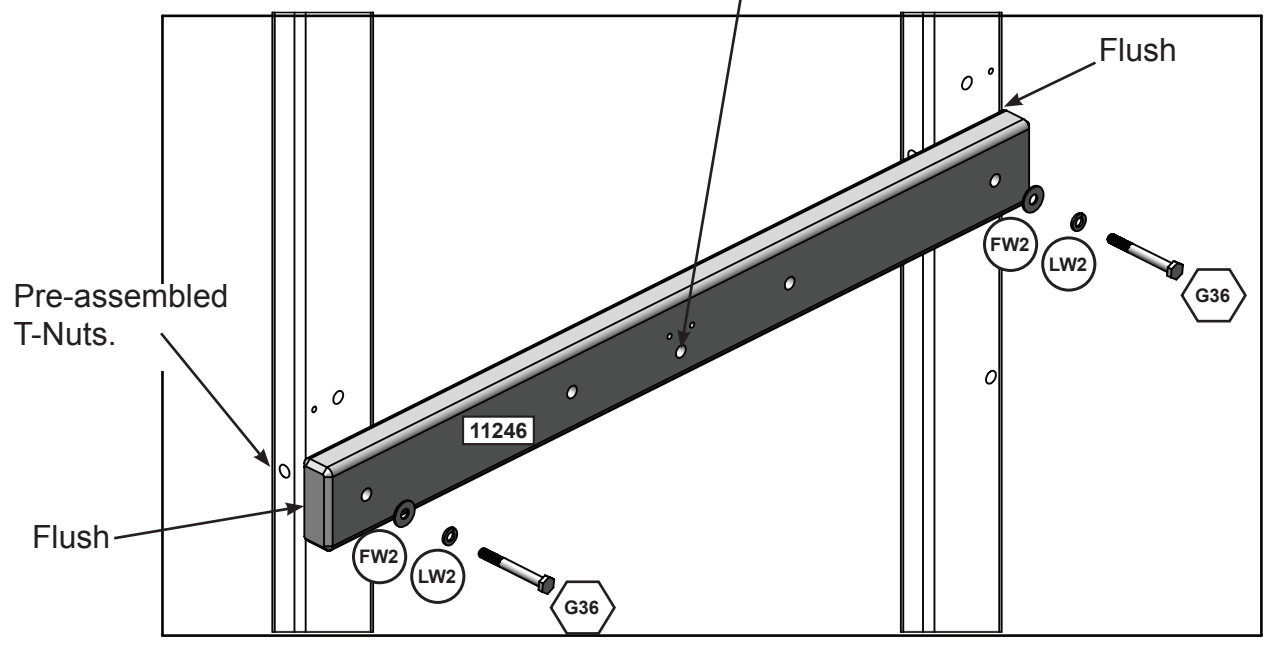
parts.kidkraft.com

customerservice@kidkraft.com
1.800.933.0771
972.385.0100

5



Note hole orientation



Wood Parts

1 x 11246 31.8 mm x 76.2 mm x 791.4 mm (1 1/4" x 3" x 31 3/16")

Hardware

2 x G36 7.9 x 69.9 mm (5/16 x 2-3/4") (LW2, FW2)

europecustomerservice@kidkraft.com
+31 20 305 8620
M-F from 09:00 to 17:30 (GMT+1)

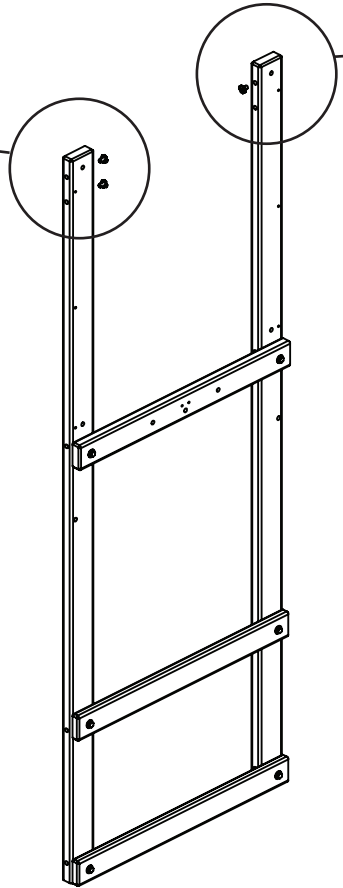
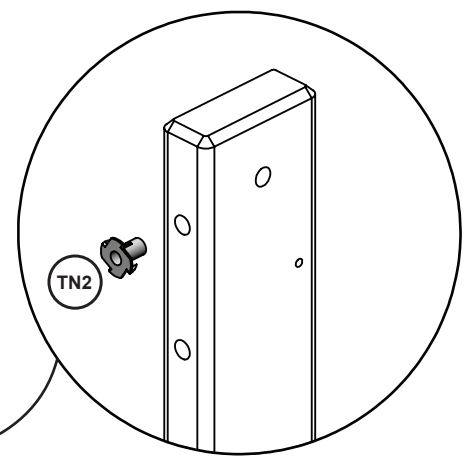
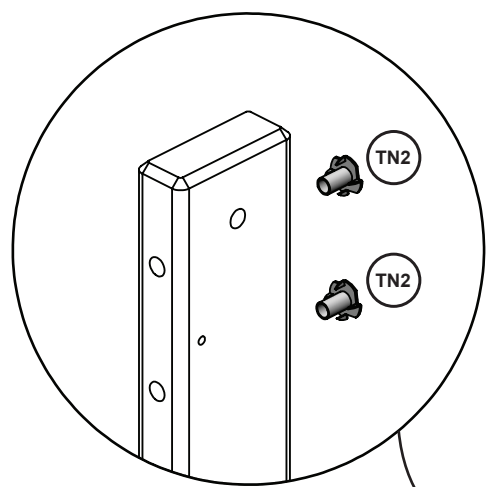
parts.kidkraft.eu



6



Hammer T-Nut into the hole!



Hardware

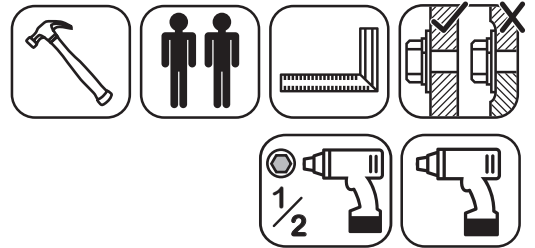
3 x TN2



parts.kidkraft.com

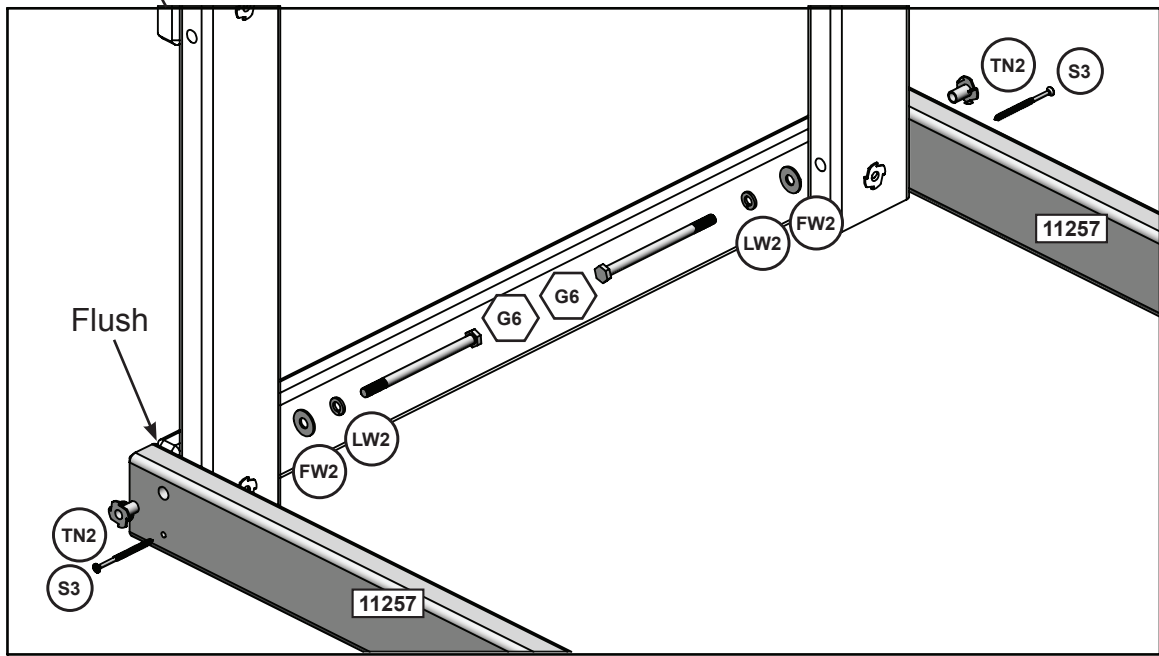
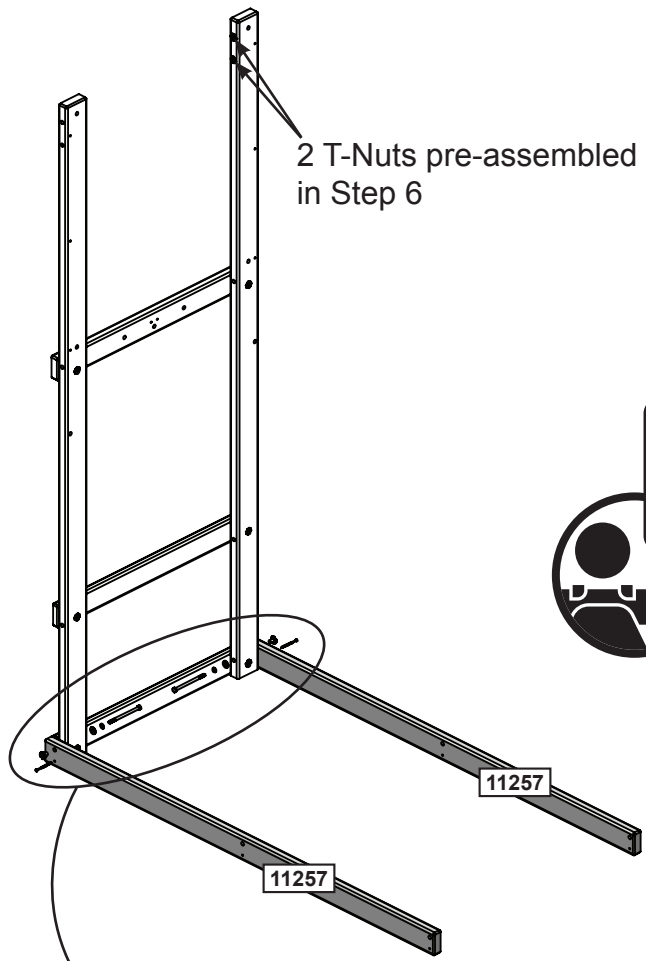
customerservice@kidkraft.com
1.800.933.0771
972.385.0100

7



2 T-Nuts pre-assembled in Step 6

Note hole orientation
 Assemble T-Nuts first with hammer!
 Make sure the assembly is square.



Wood Parts

2 x **11257** 31.8 mm x 76.2 mm x 1604.2 mm (1 1/4" x 3" x 63 3/16")

Hardware

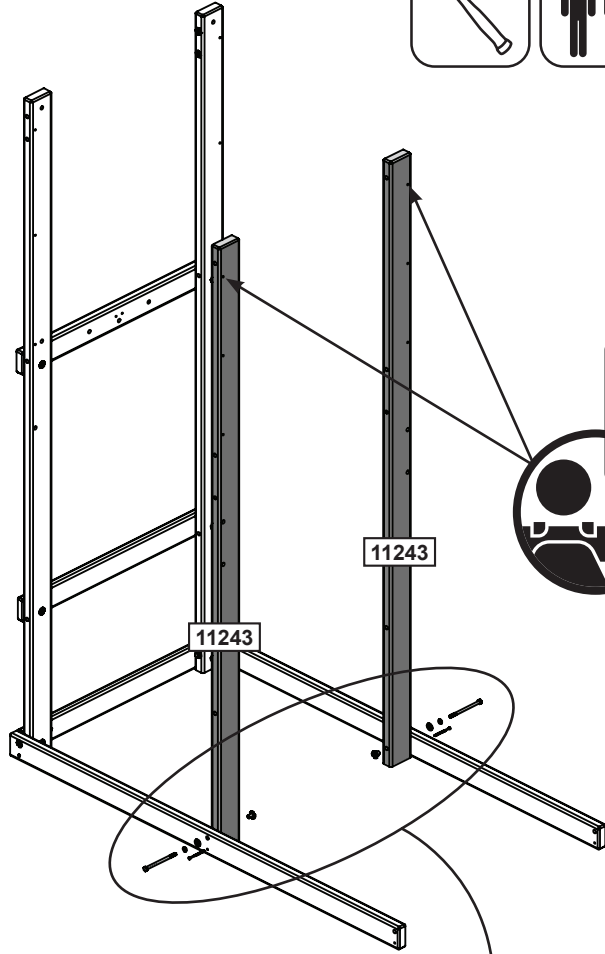
2 x **G6** 7.9 x 120.7 mm (5/16 x 4-3/4") (LW2, FW2, TN2)

2 x **S3** #8 x 63.5 mm (#8 x 2-1/2")

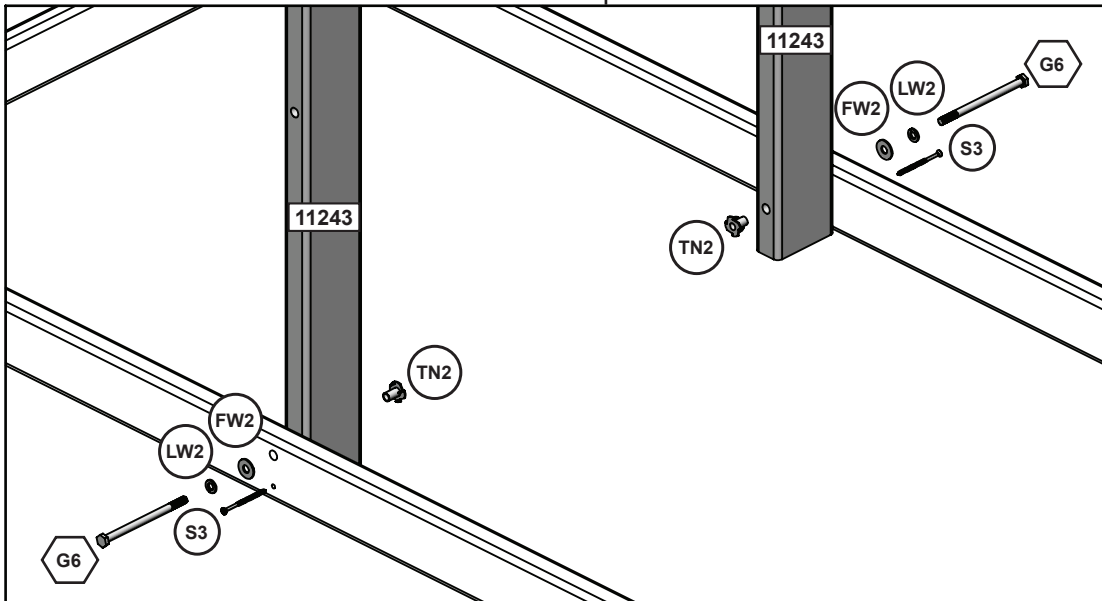
europecustomerservice@kidkraft.com
 +31 20 305 8620
 M-F from 09:00 to 17:30 (GMT+1)

parts.kidkraft.eu





Note hole orientation
 Assemble T-Nuts first with hammer!
 Make sure the assembly is square.



Wood Parts

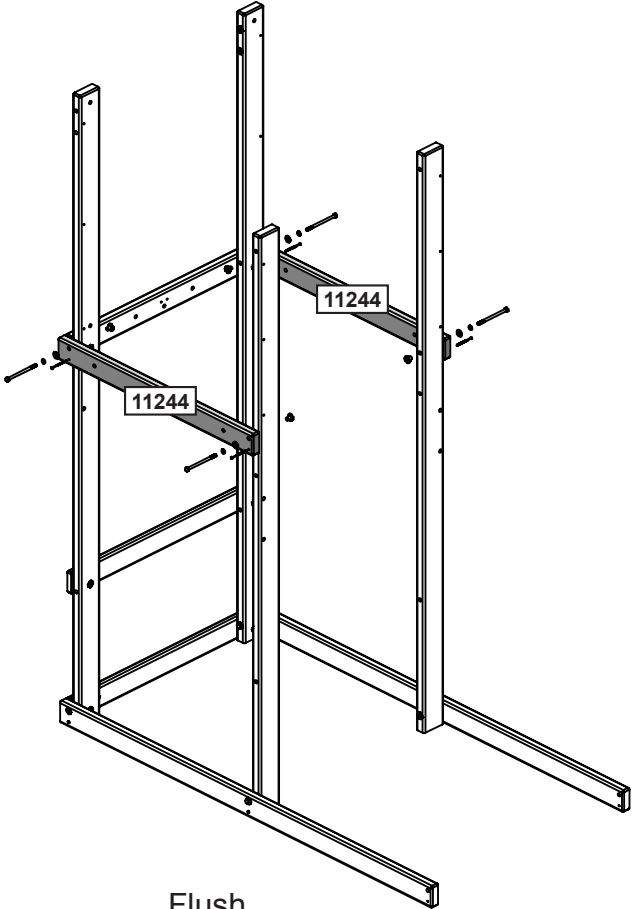
2 x 11243 34.9 mm x 85.7 mm x 2032 mm (1 3/8" x 3 3/8" x 80")

Hardware

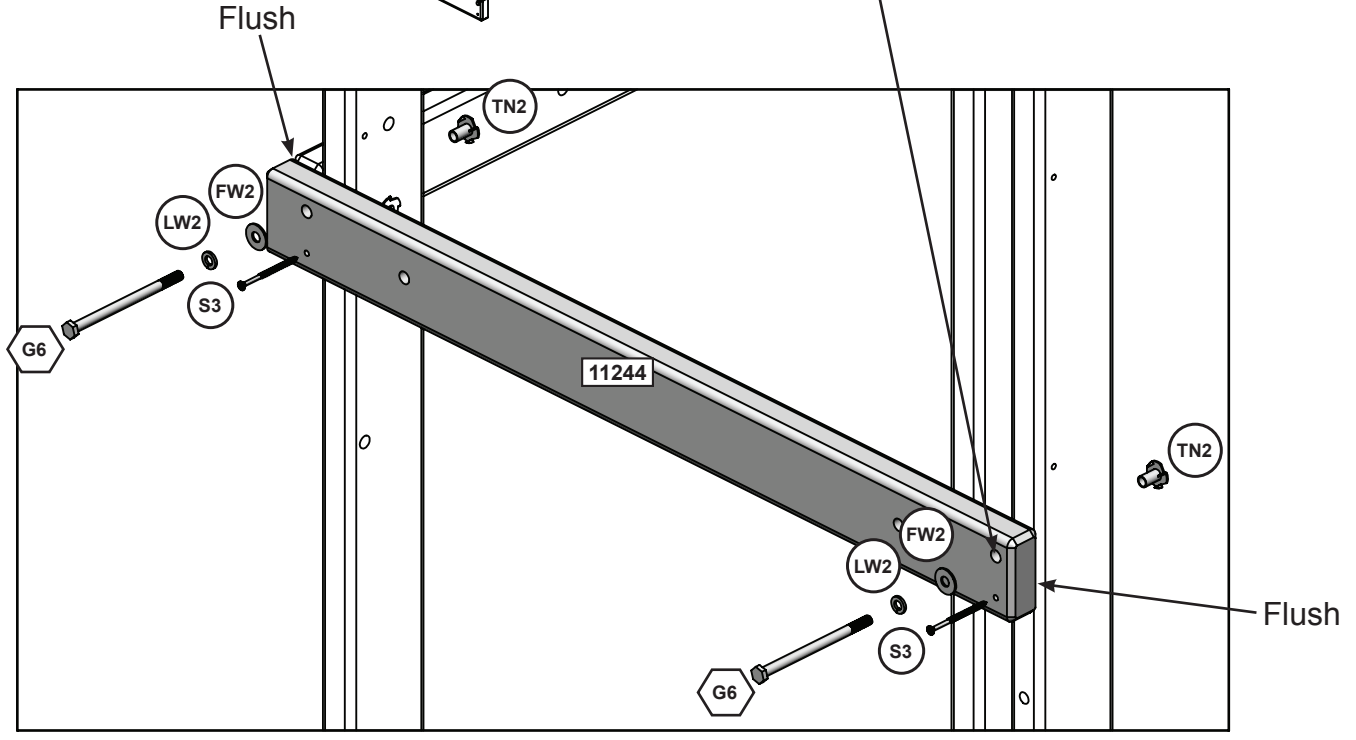
2 x G6 7.9 x 120.7 mm (5/16 x 4-3/4") (LW2, FW2, TN2)

2 x S3 #8 x 63.5 mm (#8 x 2-1/2")

9



Note hole orientation
 Assemble T-Nuts first with hammer!
 Make sure the assembly is square.



Wood Parts

2 x 11244 31.8 mm x 76.2 mm x 840.2 mm (1 1/4" x 3" x 33 1/16")

Hardware

4 x G6 7.9 x 120.7 mm (5/16 x 4-3/4") (LW2, FW2, TN2)

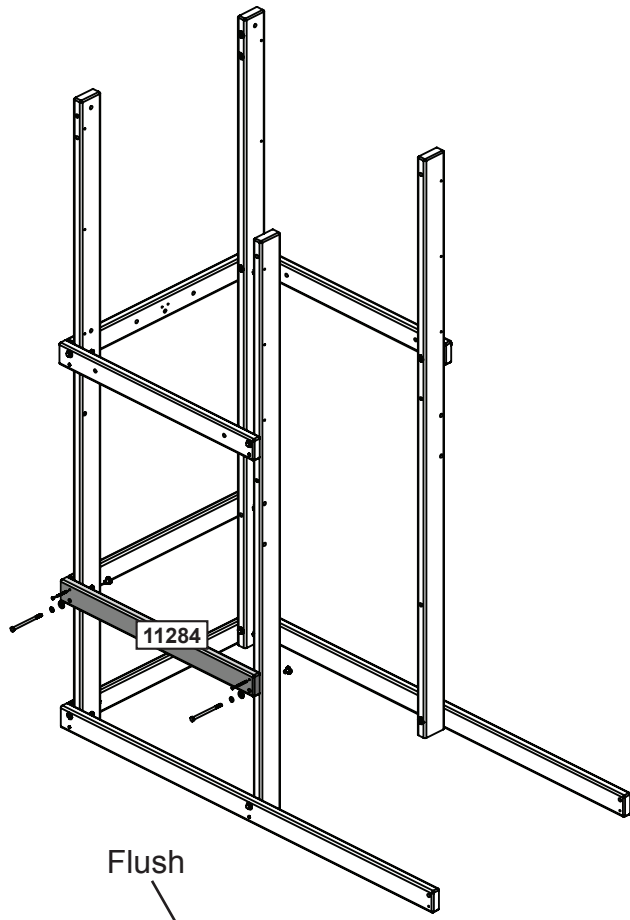
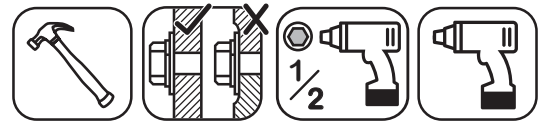
4 x S3 #8 x 63.5 mm (#8 x 2-1/2")

europecustomerservice@kidkraft.com
 +31 20 305 8620
 M-F from 09:00 to 17:30 (GMT+1)

parts.kidkraft.eu



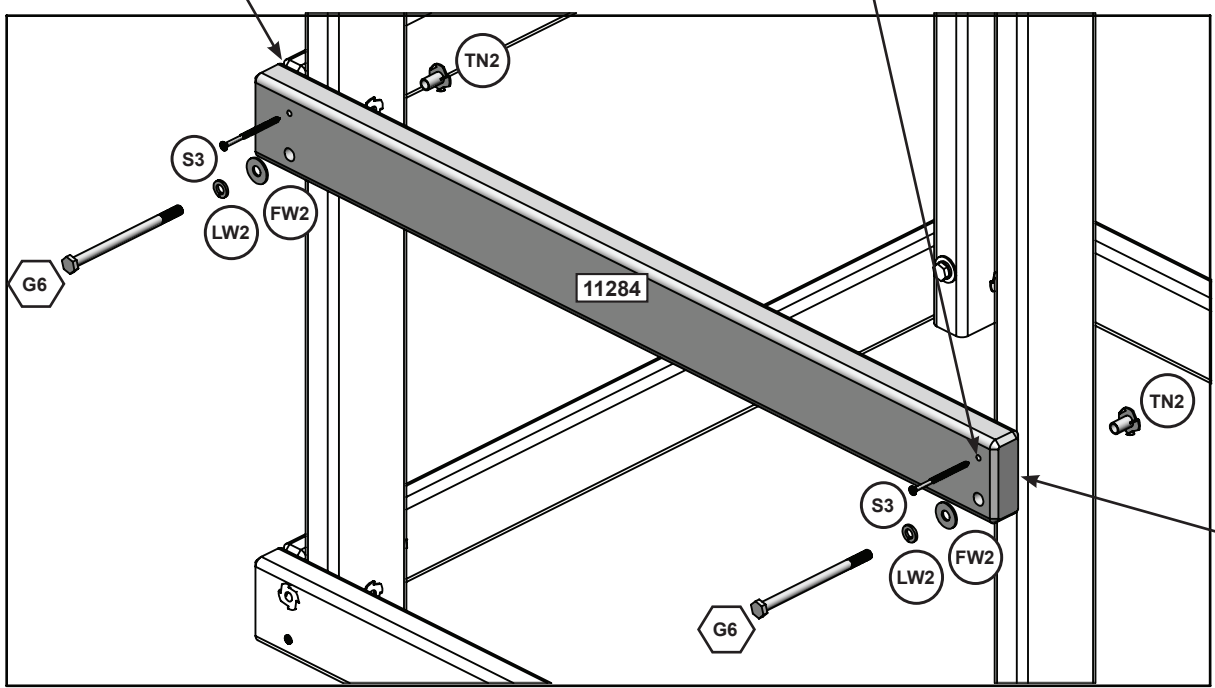
10



Note hole orientation
Assemble T-Nuts first with hammer!



Flush



Wood Parts

1 x 11284 31.8 mm x 76.2 mm x 833.8 mm (1 1/4" x 3" x 32 13/16")

Hardware

2 x G6 7.9 x 120.7 mm (5/16 x 4-3/4") (LW2, FW2, TN2)

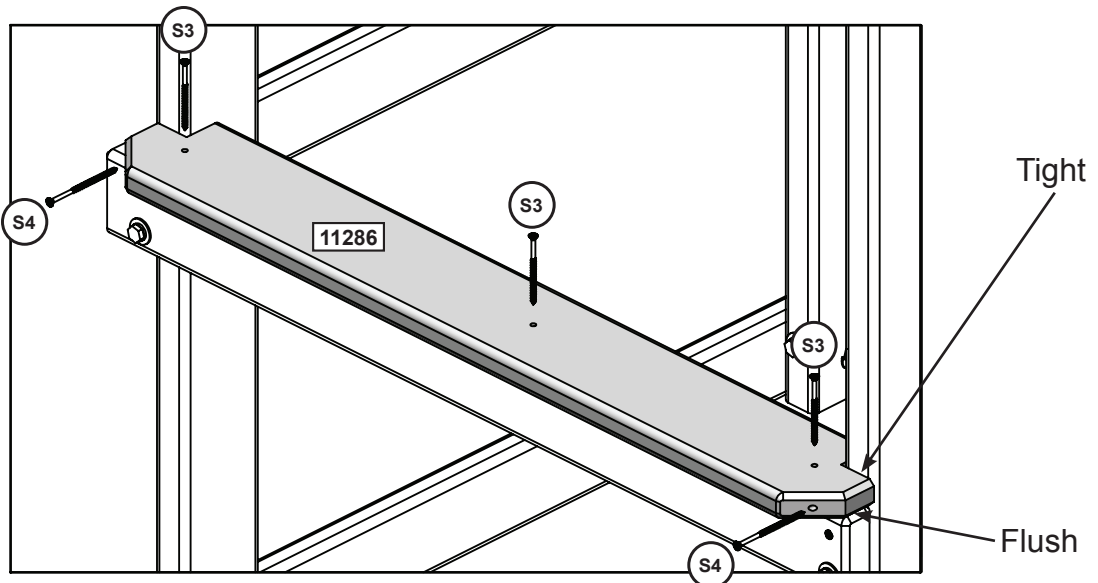
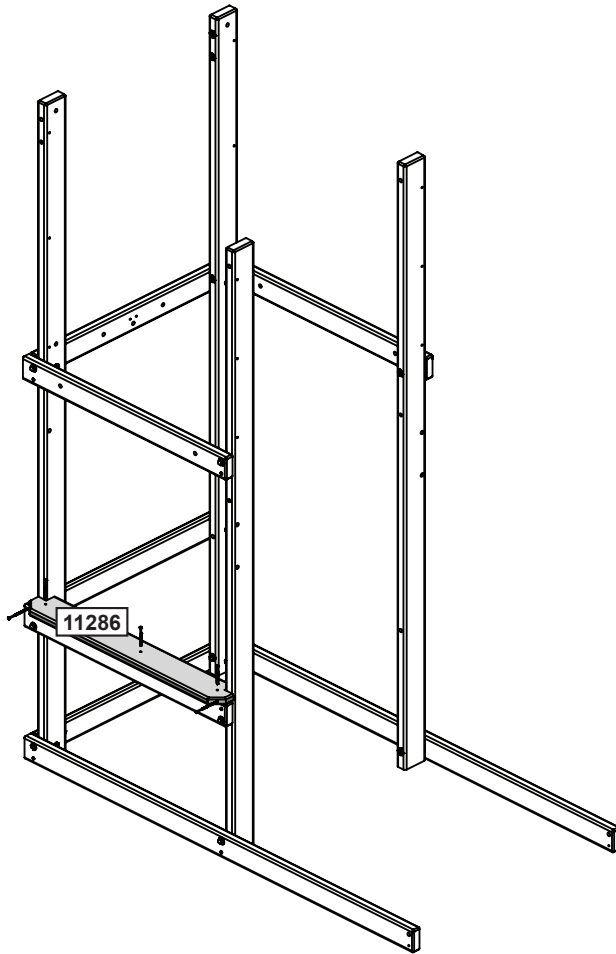
2 x S3 #8 x 63.5 mm (#8 x 2-1/2")



parts.kidkraft.com

customerservice@kidkraft.com
1.800.933.0771
972.385.0100

11



Wood Parts

1 x **11286** 23.8 mm x 108 mm x 808.4 mm (15/16" x 4 1/4" x 31 13/16")

Hardware

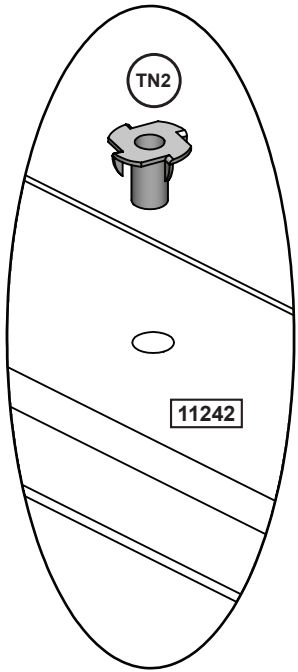
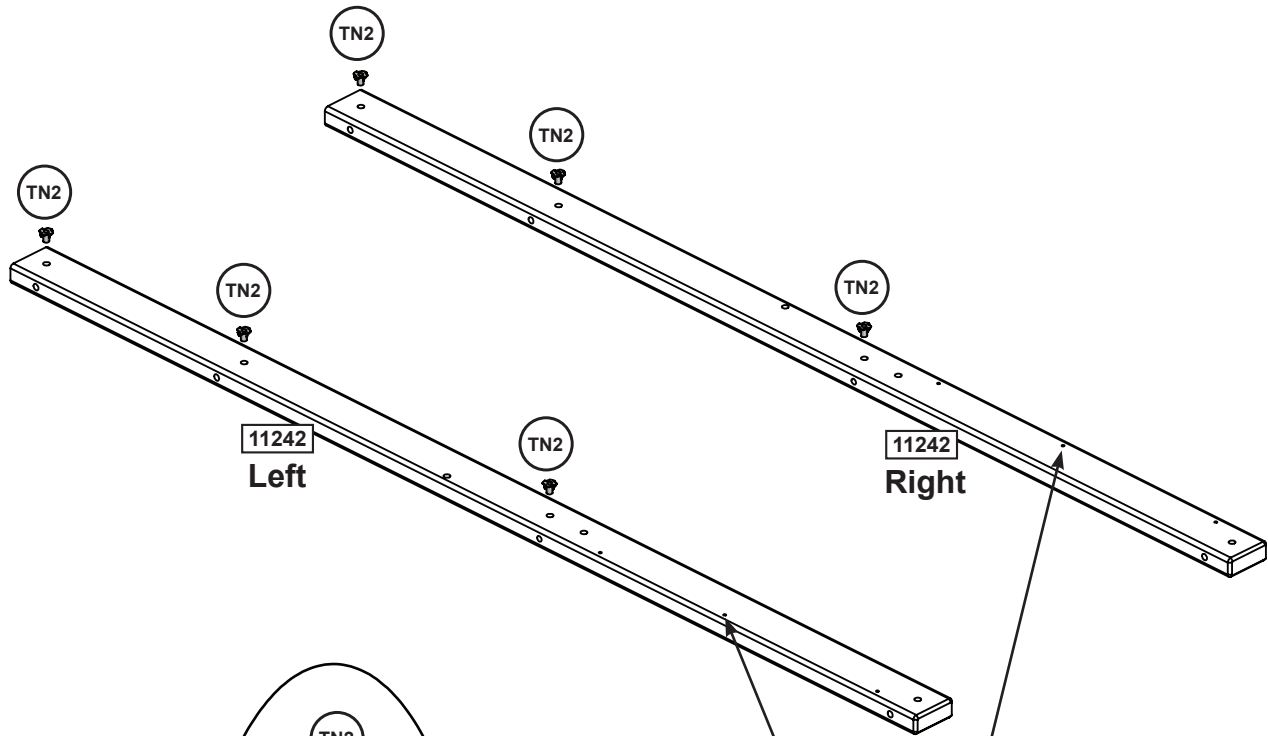
3 x **S3** #8 x 63.5 mm (#8 x 2-1/2")

2 x **S4** #8 x 76.2 mm (#8 x 3")

europecustomerservice@kidkraft.com
+31 20 305 8620
M-F from 09:00 to 17:30 (GMT+1)

parts.kidkraft.eu





Note hole orientation.
Hammer T-Nuts into the hole.



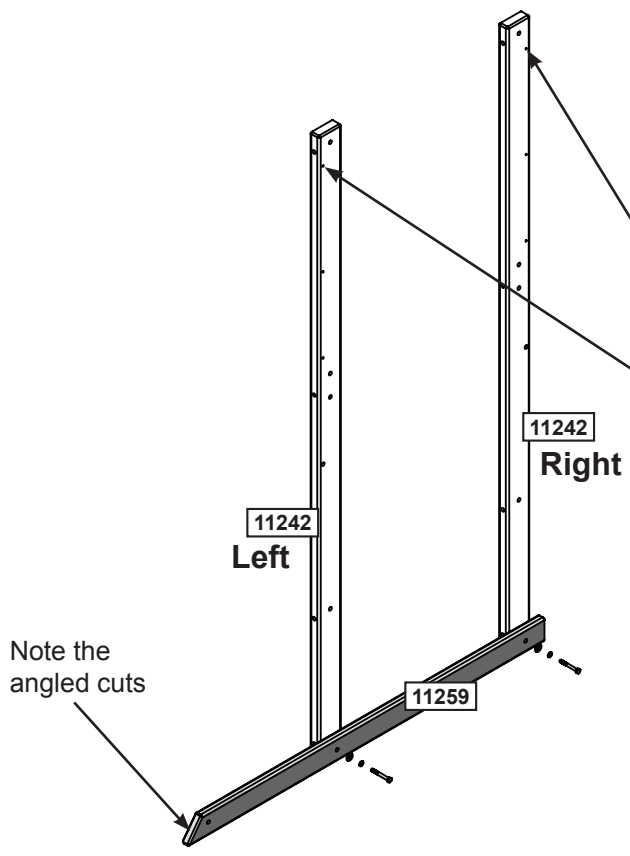
Wood Parts

2 x **11242** 34.9 mm x 85.7 mm x 2032 mm (1 3/8" x 3 3/8" x 80")

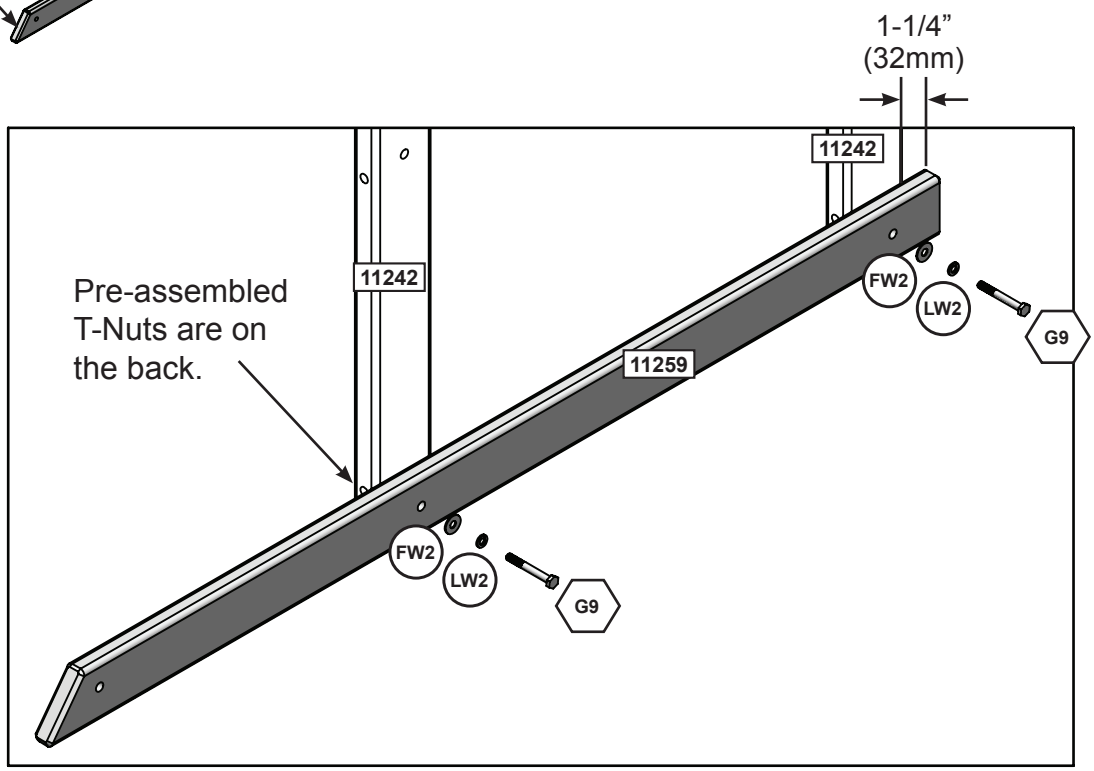
Hardware

6 x **TN2**

13



Note hole orientation
Make sure the assembly is square.



Wood Parts

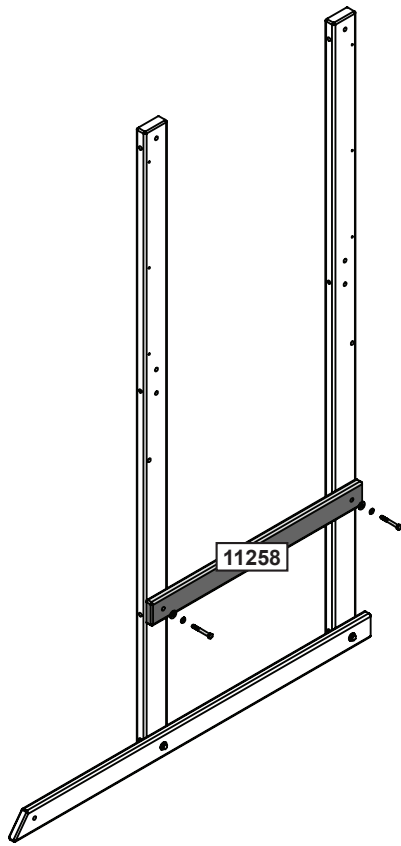
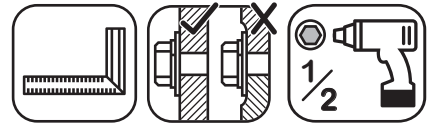
1 x 11259 25.4 mm x 76.2 mm x 1342.8 mm (1" x 3" x 52 7/8")

Hardware

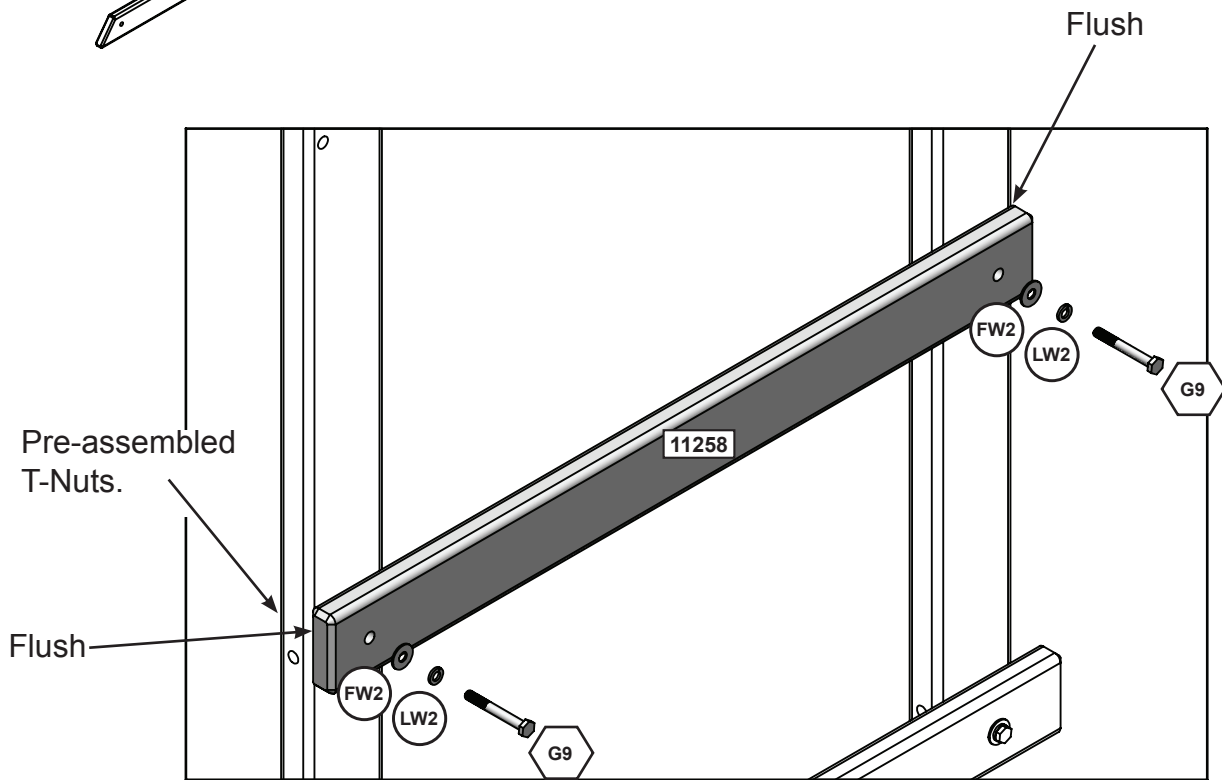
2 x G9 7.9 x 63.5 mm (5/16 x 2-1/2") (LW2, FW2)



14



Make sure the assembly is square.



Wood Parts

1 x 11258 25.4 mm x 76.2 mm x 791.4 mm (1" x 3" x 31 3/16")

Hardware

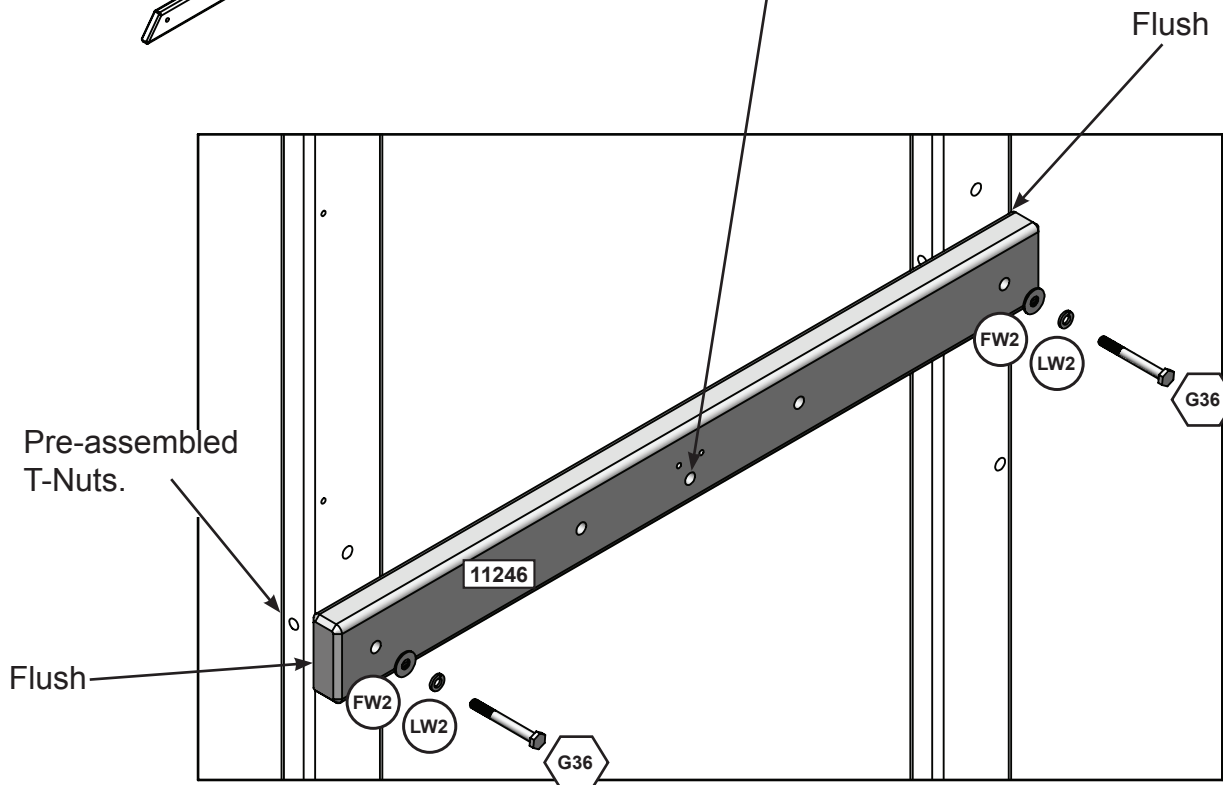
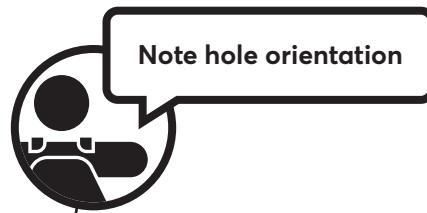
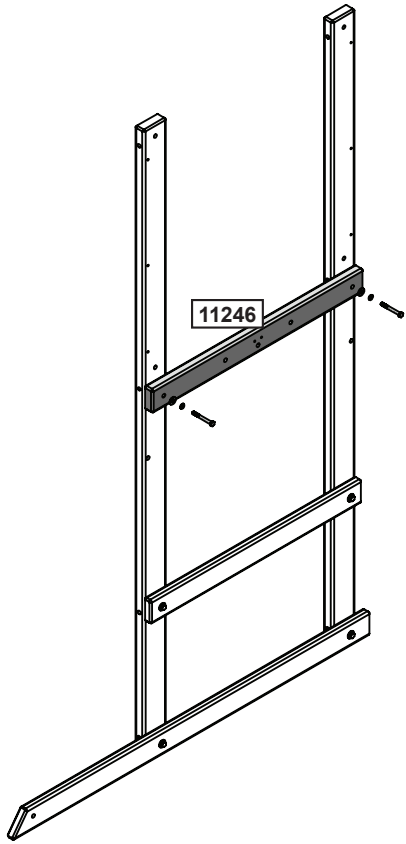
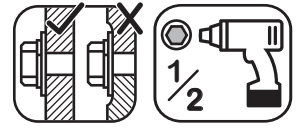
2 x G9 7.9 x 63.5 mm (5/16 x 2-1/2") (LW2, FW2)



parts.kidkraft.com

customerservice@kidkraft.com
1.800.933.0771
972.385.0100

15



Wood Parts

1 x **11246** 31.8 mm x 76.2 mm x 791.4 mm (1 1/4" x 3" x 31 3/16")

Hardware

2 x **G36** 7.9 x 69.9 mm (5/16 x 2-3/4") (LW2, FW2)

europecustomerservice@kidkraft.com
+31 20 305 8620
M-F from 09:00 to 17:30 (GMT+1)

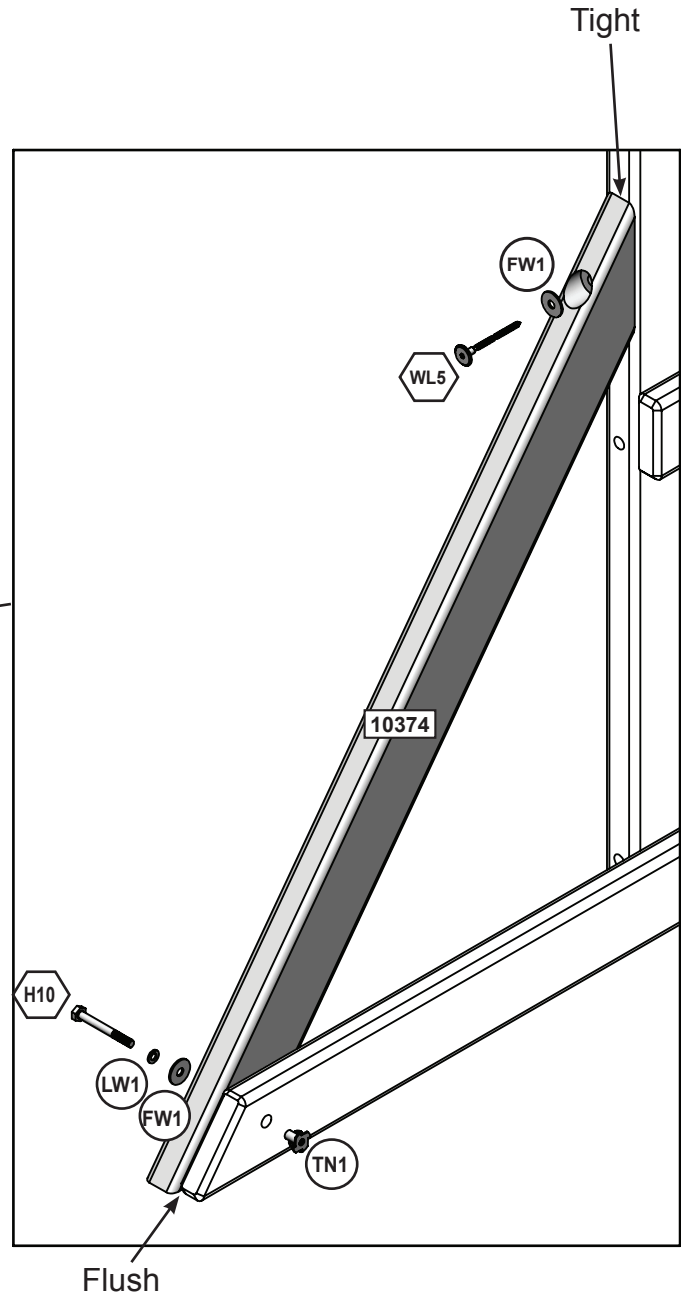
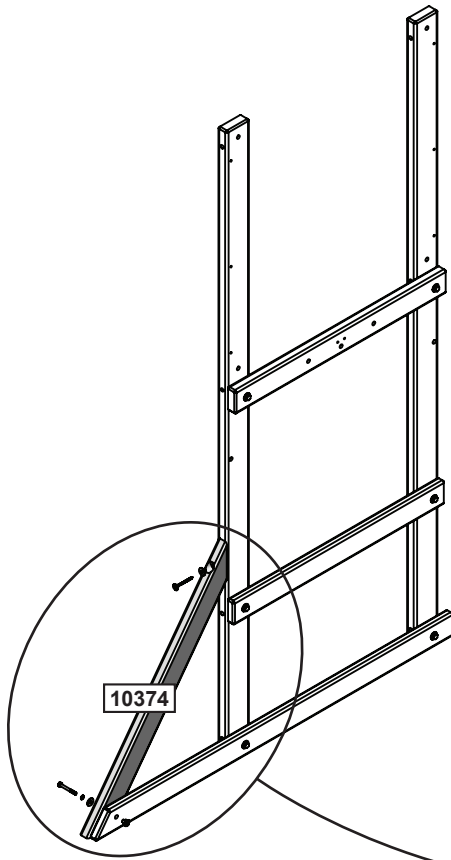
parts.kidkraft.eu



16



Pre-drill each hole using a 1/8" drill bit for WL5.
Assemble T-Nuts first with hammer!



Wood Parts

1 x 10374 31.8 mm x 76.2 mm x 873.5 mm (1 1/4" x 3" x 34 3/8")

Hardware

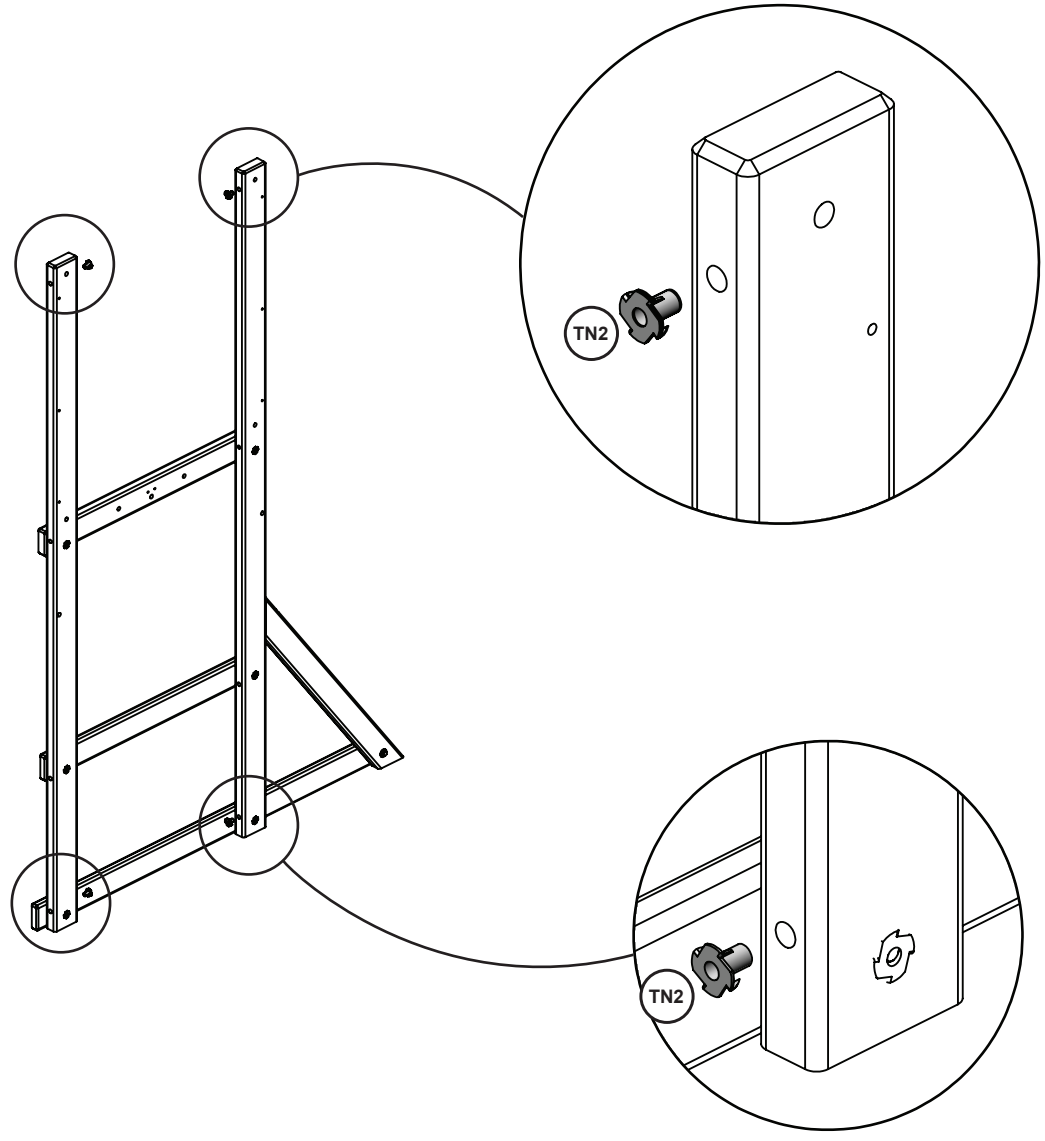
1 x WL5 6.4 x 63.5 mm (1/4 x 2-1/2") (FW1)

1 x H10 6.4mm x 57.2mm (1/4 x 2-1/4")(FW1, LW1, TN1)

17



Hammer T-Nut into the hole!



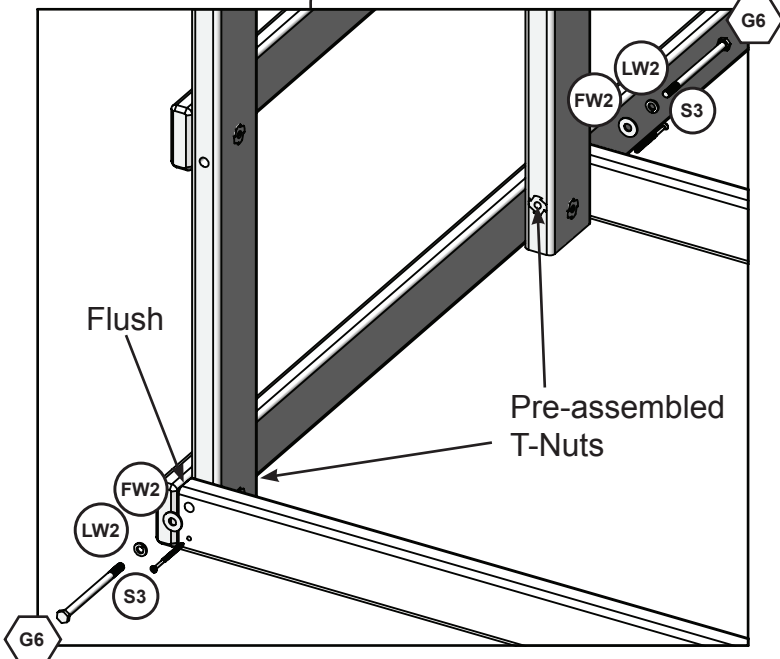
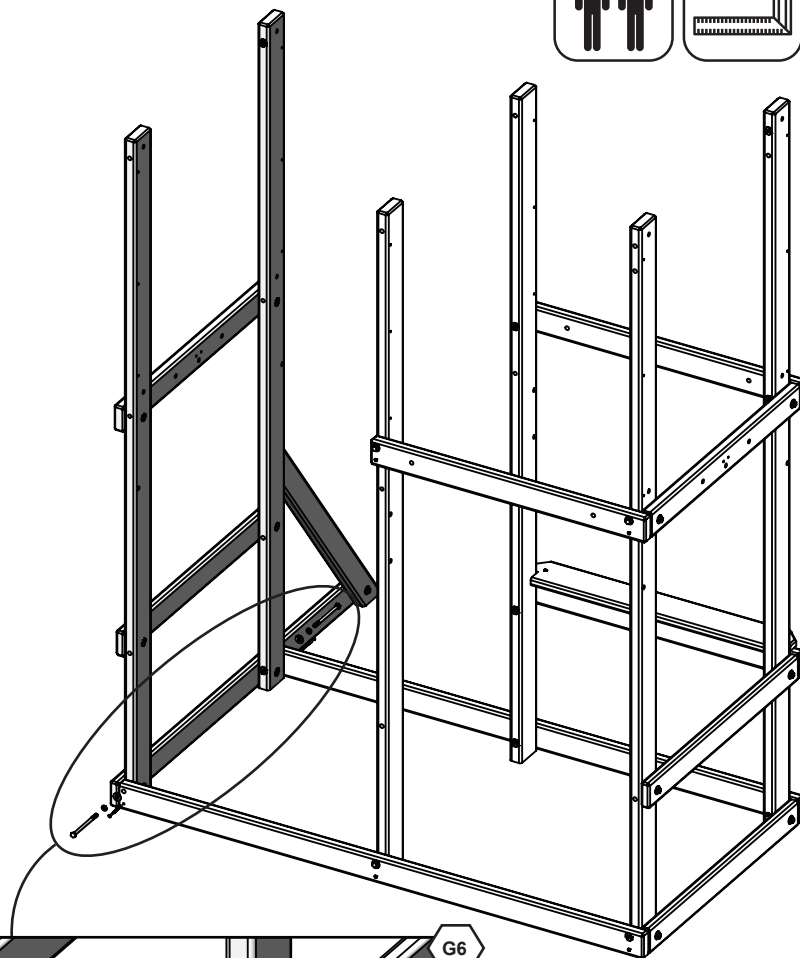
Hardware

4 x TN2

europcustomerservice@kidkraft.com
+31 20 305 8620
M-F from 09:00 to 17:30 (GMT+1)

parts.kidkraft.eu



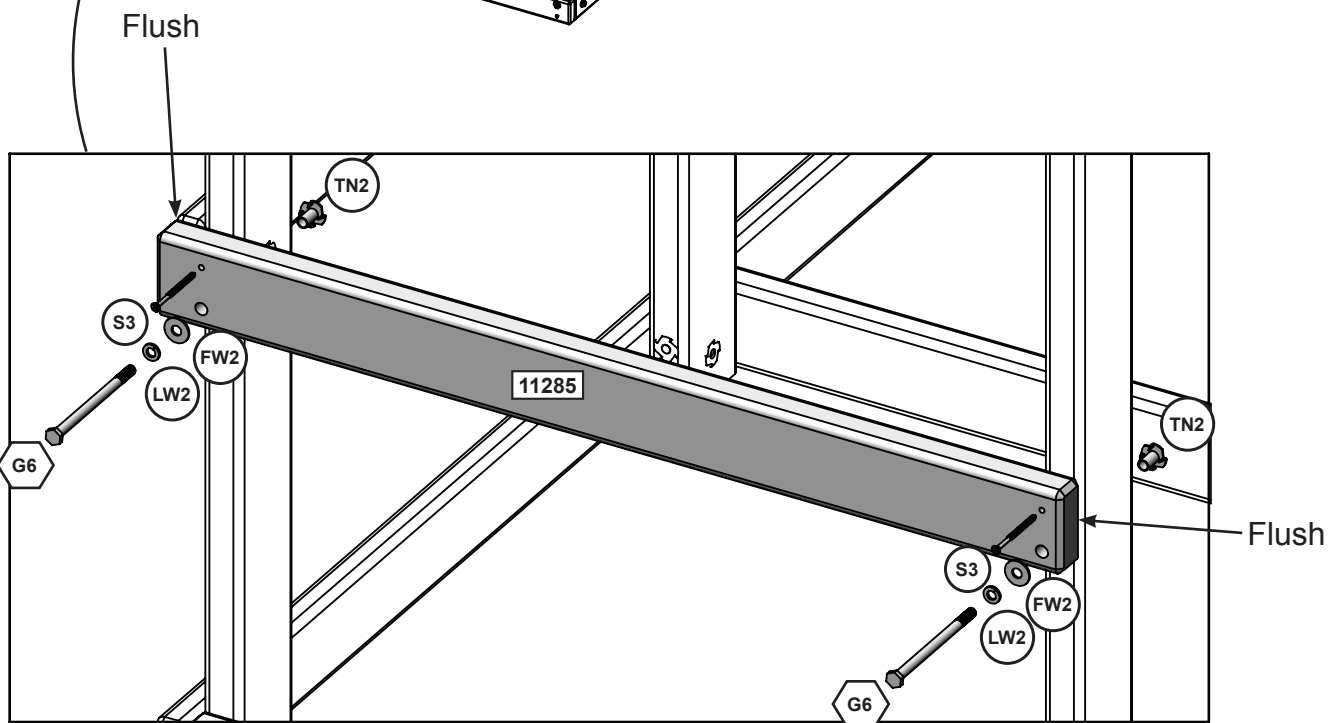
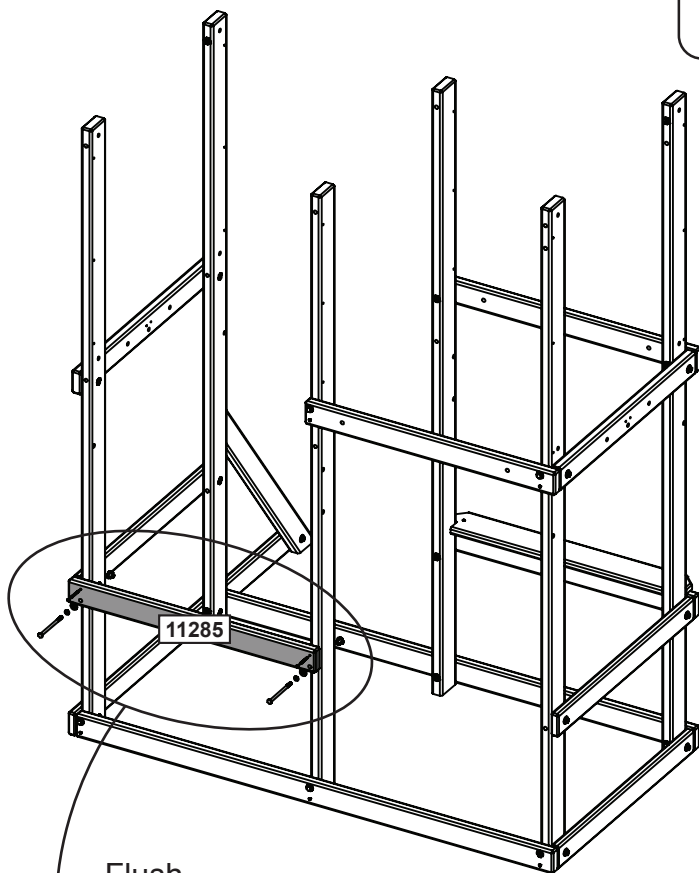


Make sure the assembly is square.



Hardware

- 2 x 7.9 x 120.7 mm (5/16 x 4-3/4") (LW2, FW2)
- 2 x #8 x 63.5 mm (#8 x 2-1/2")



Wood Parts

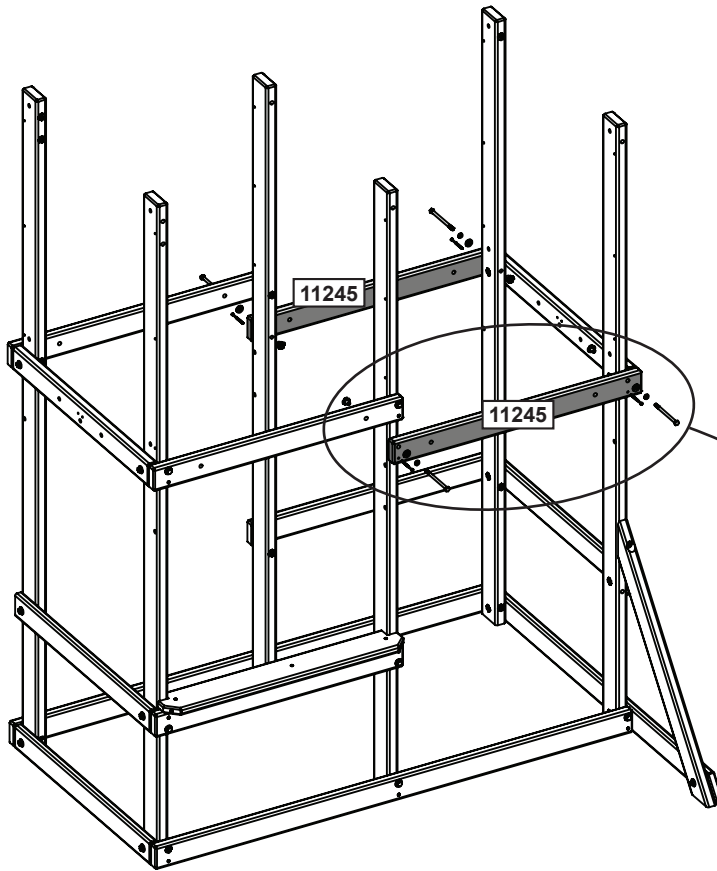
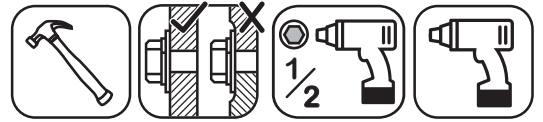
1 x **11285** 31.8 mm x 76.2 mm x 830.7 mm (1 1/4" x 3" x 32 11/16")

Hardware

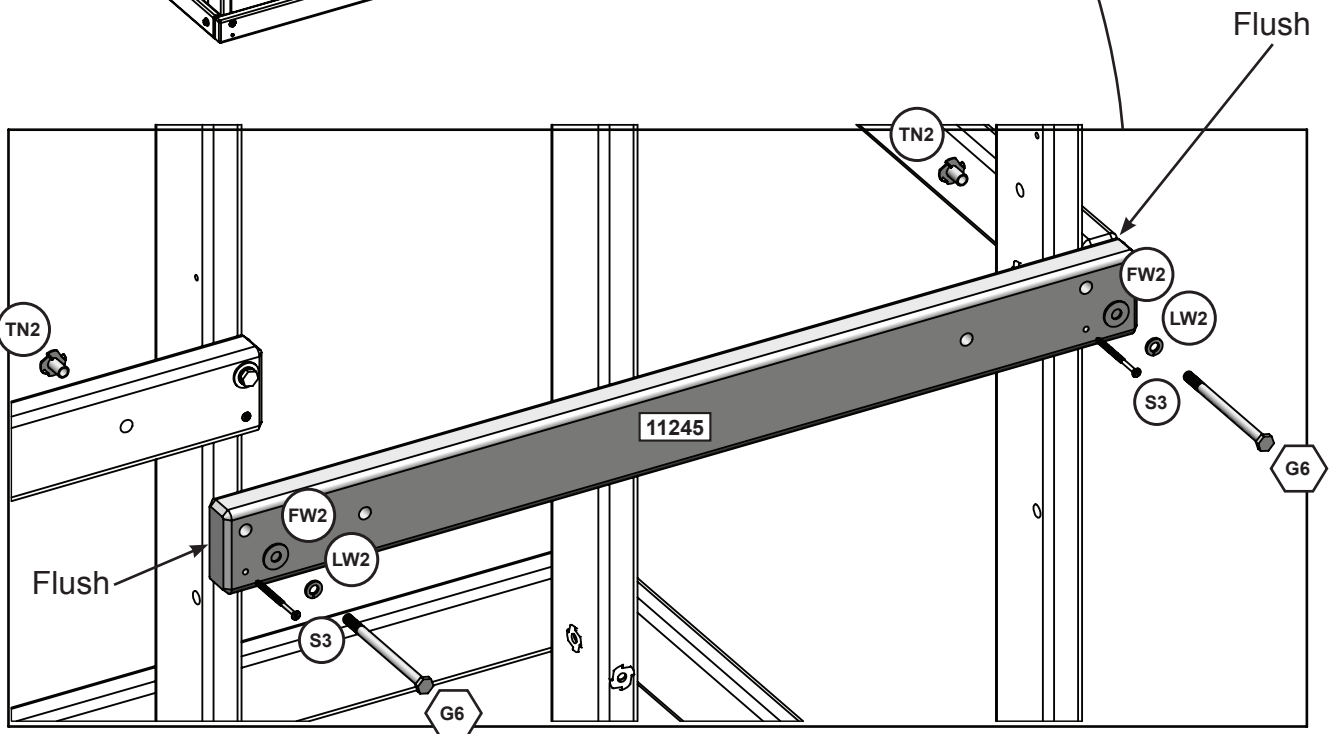
2 x **G6** 7.9 x 120.7 mm (5/16 x 4-3/4") (LW2, FW2, TN2)

2 x **S3** #8 x 63.5 mm (#8 x 2-1/2")





Note hole orientation
Assemble T-Nuts first with hammer!



Wood Parts

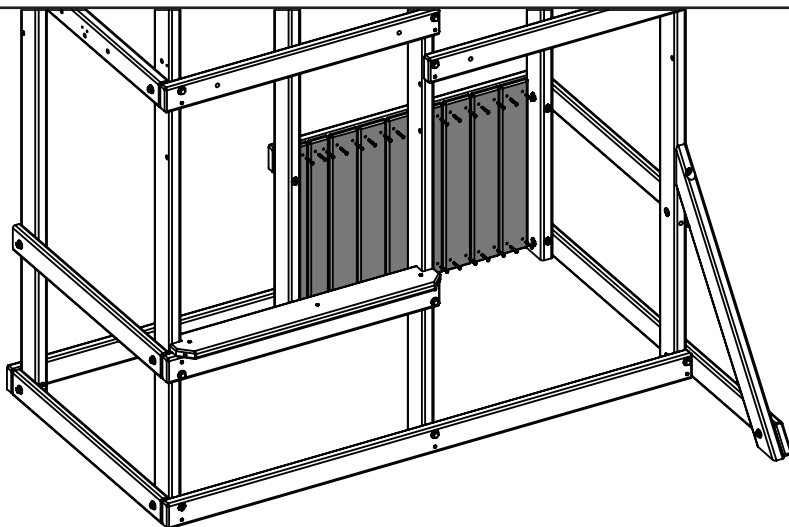
2 x 11245 31.8 mm x 76.2 mm x 837.1 mm (1 1/4" x 3" x 32 15/16")

Hardware

4 x G6 7.9 x 120.7 mm (5/16 x 4-3/4") (LW2, FW2, TN2)

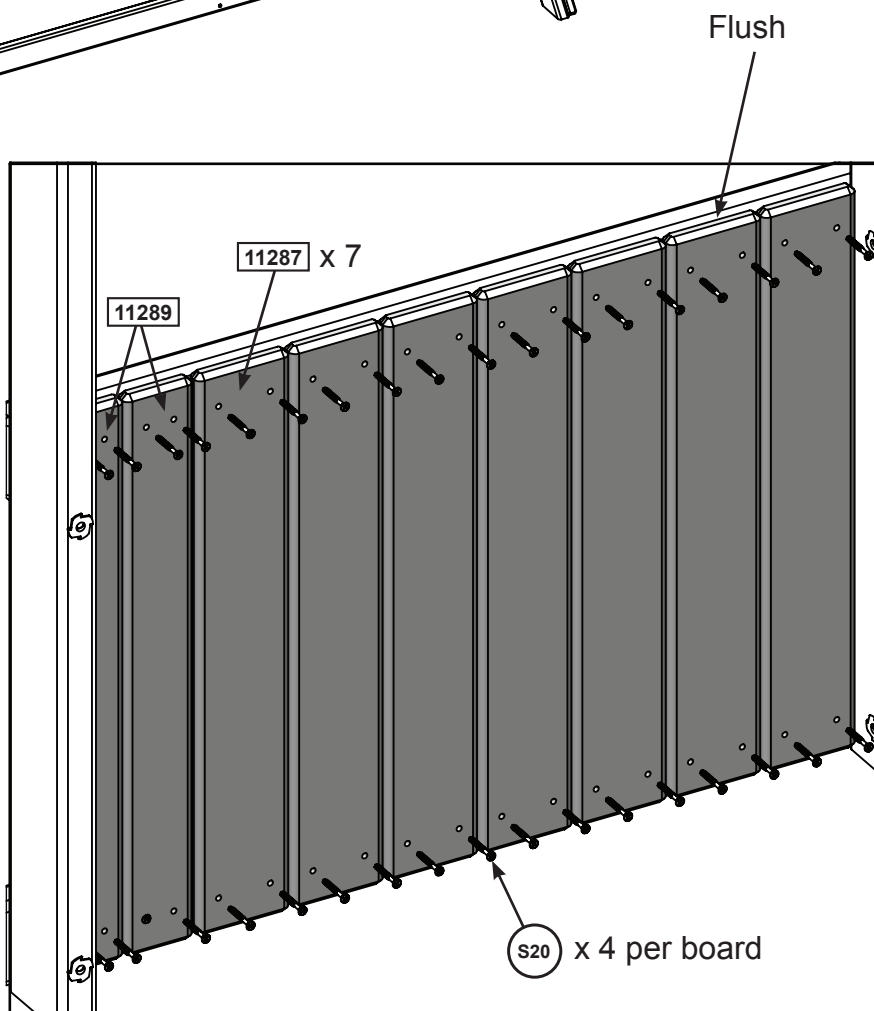
4 x S3 #8 x 63.5 mm (#8 x 2-1/2")

21



Evenly space the boards.

Note: Structure partly removed for clarity.



Wood Parts

- 7 x 11287 15.9 mm x 85.7 mm x 514.3 mm (5/8" x 3 3/8" x 20 1/4")
- 2 x 11289 15.9 mm x 63.5 mm x 514.3 mm (5/8" x 2 1/2" x 20 1/4")

Hardware

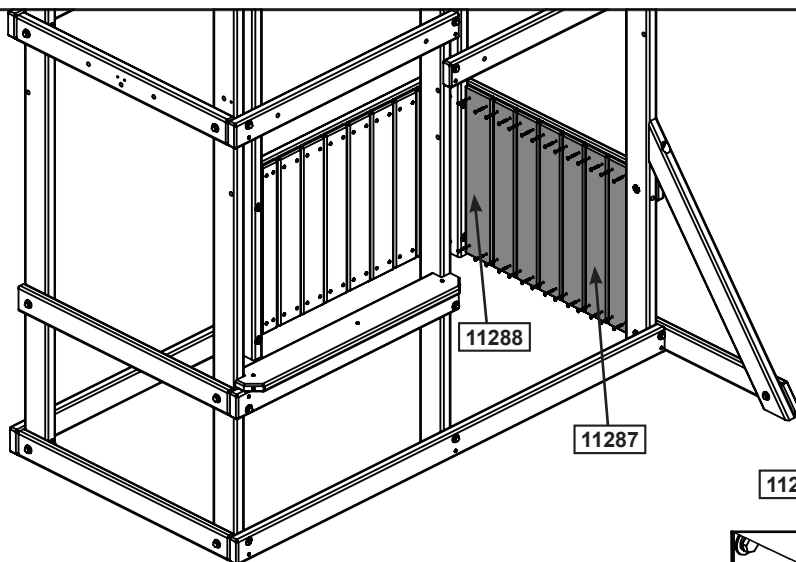
- 36 x S20 #8 x 34.9 mm (#8 x 1-3/8")

europecustomerservice@kidkraft.com
 +31 20 305 8620
 M-F from 09:00 to 17:30 (GMT+1)

parts.kidkraft.eu

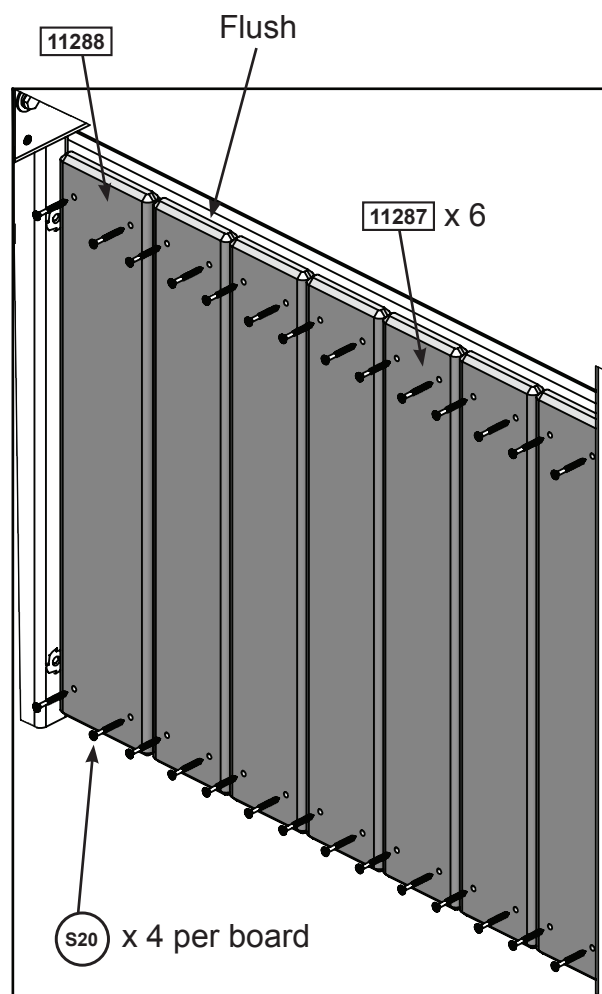


22



Evenly space the boards.

Note: Structure partly removed for clarity.



Wood Parts

- 6 x 11287 15.9 mm x 85.7 mm x 514.3 mm (5/8" x 3 3/8" x 20 1/4")
- 1 x 11288 15.9 mm x 101.6 mm x 514.3 mm (5/8" x 4" x 20 1/4")

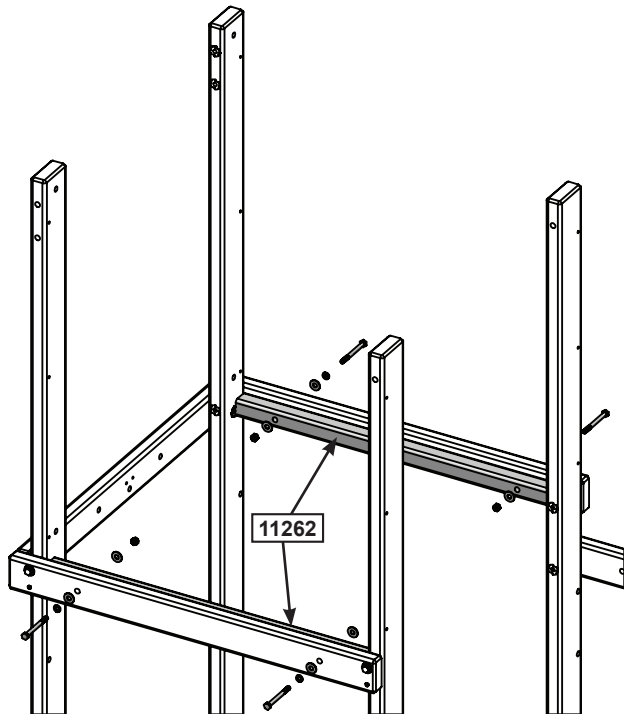
Hardware

- 28 x s20 #8 x 34.9 mm (#8 x 1-3/8")

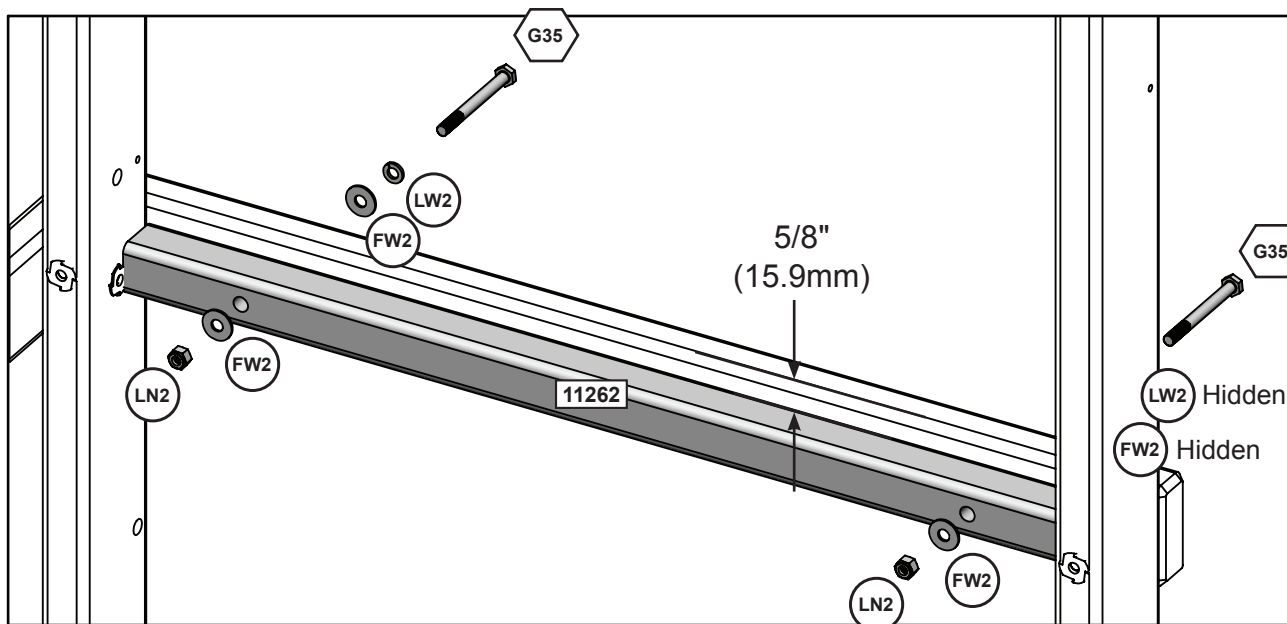


parts.kidkraft.com

customerservice@kidkraft.com
 1.800.933.0771
 972.385.0100



Note: Structure partly removed for clarity.



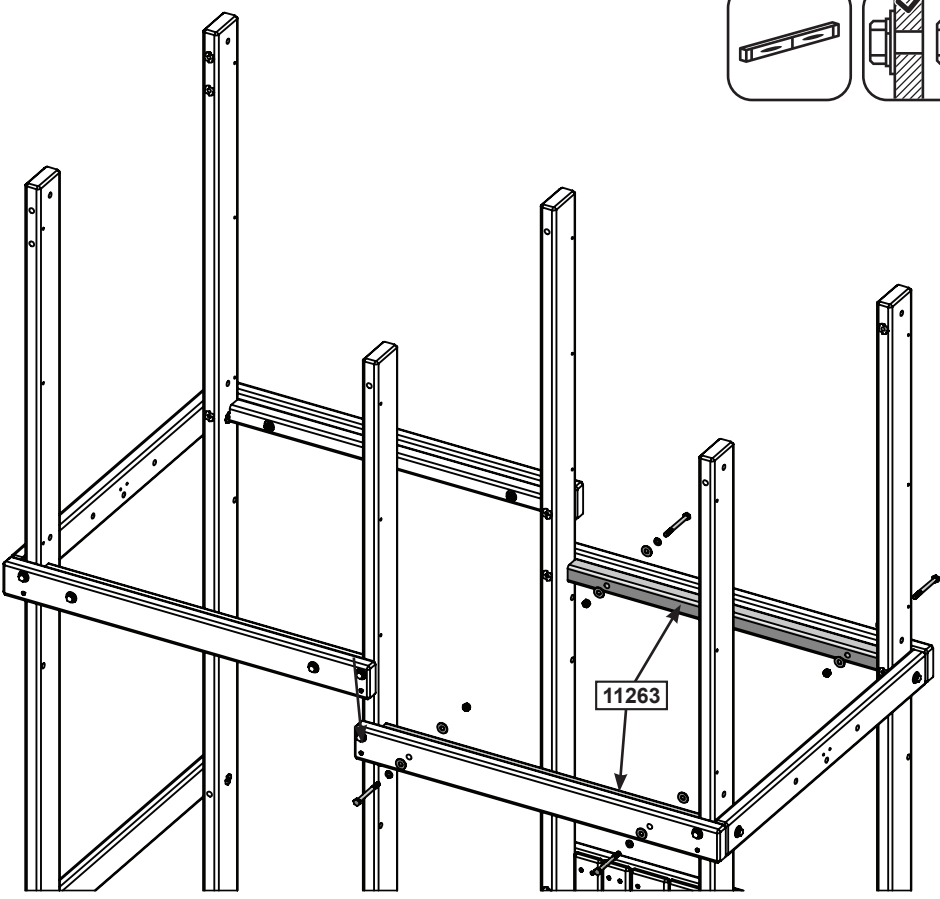
Wood Parts

2 x 11262 38.1 mm x 38.1 mm x 735 mm (1 1/2" x 1 1/2" x 28 15/16")

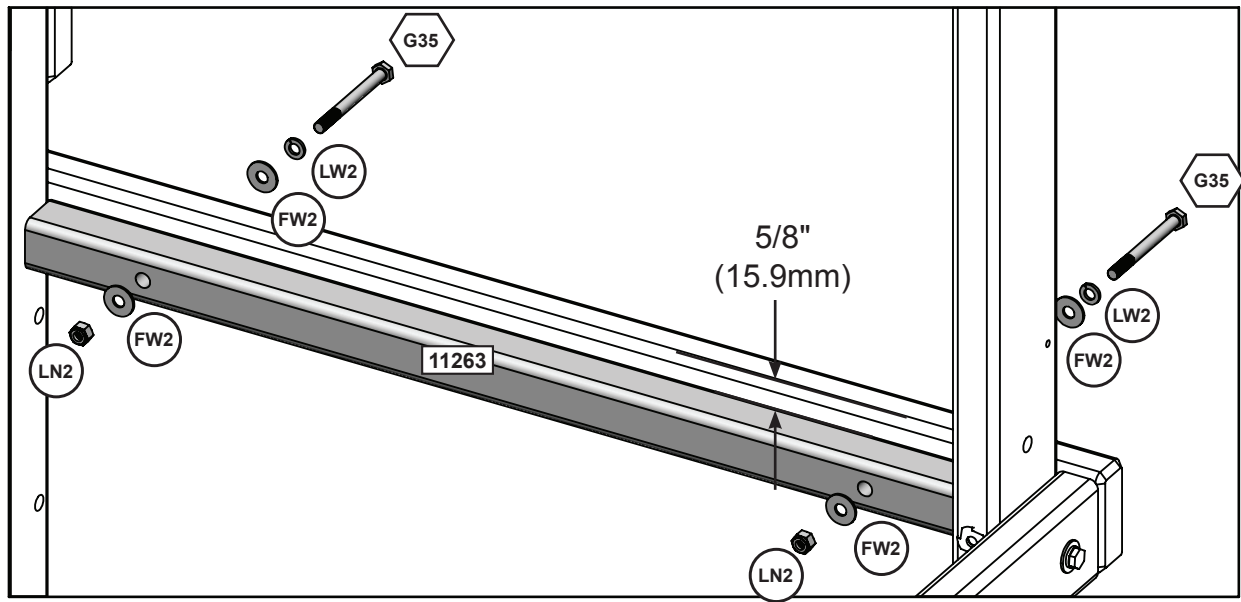
Hardware

4 x G35 7.9 x 82.6 mm (5/16 x 3-1/4") (LW2, FW2 x 2, LN2)





Note: Structure partly removed for clarity.



Wood Parts

2 x **11263** 38.1 mm x 38.1 mm x 731.5 mm (1 1/2" x 1 1/2" x 28 13/16")

Hardware

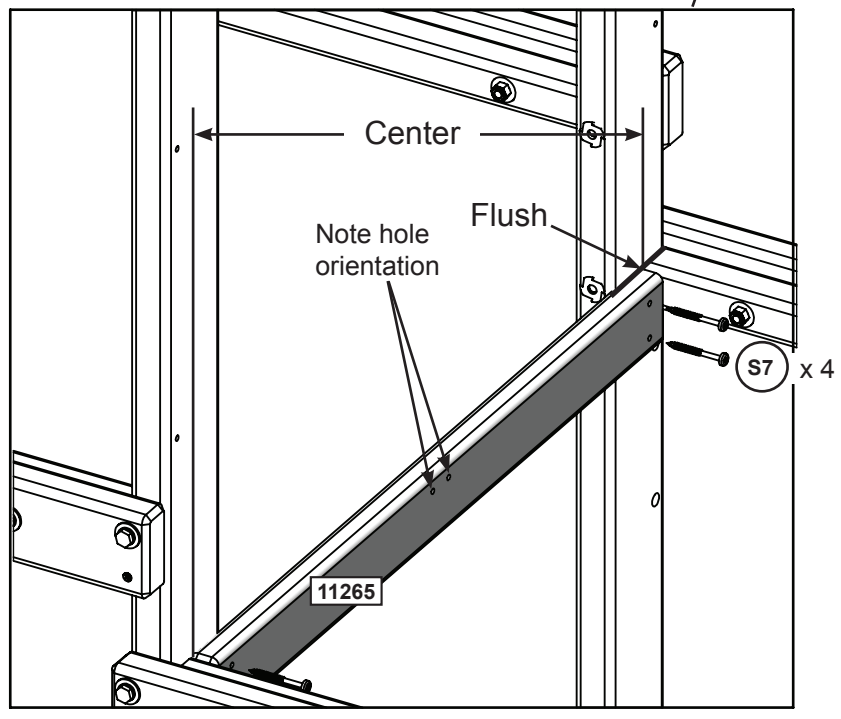
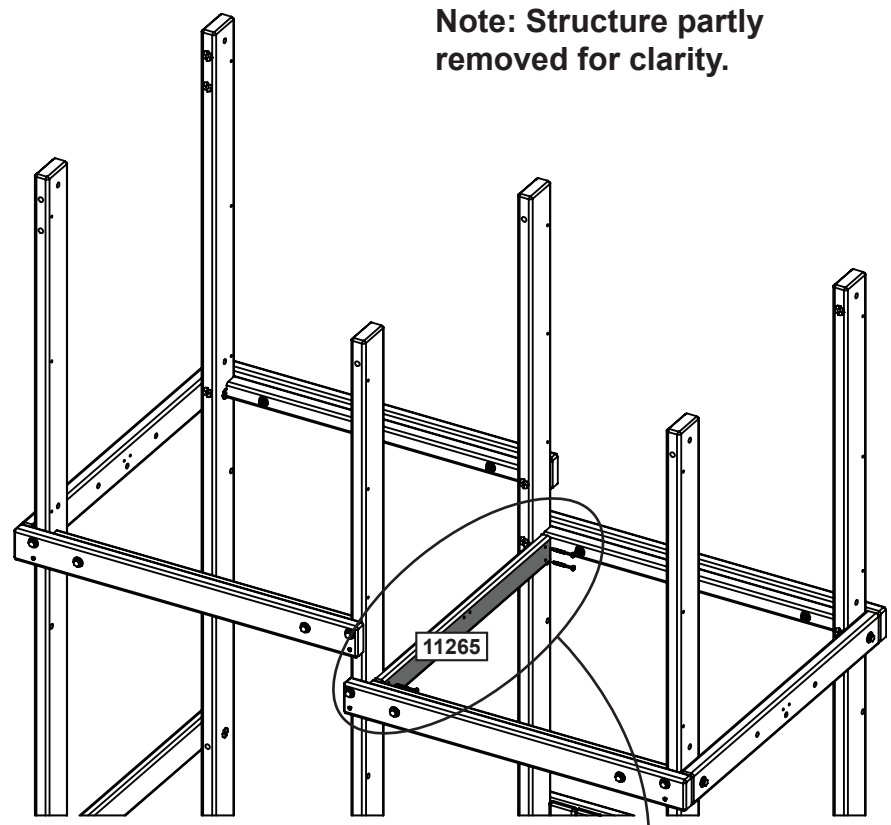
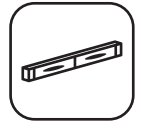
4 x **G35** 7.9 x 82.6 mm (5/16 x 3-1/4") (LW2, FW2 x 2, LN2)



parts.kidkraft.com

customerservice@kidkraft.com
1.800.933.0771
972.385.0100

Note: Structure partly removed for clarity.



Wood Parts

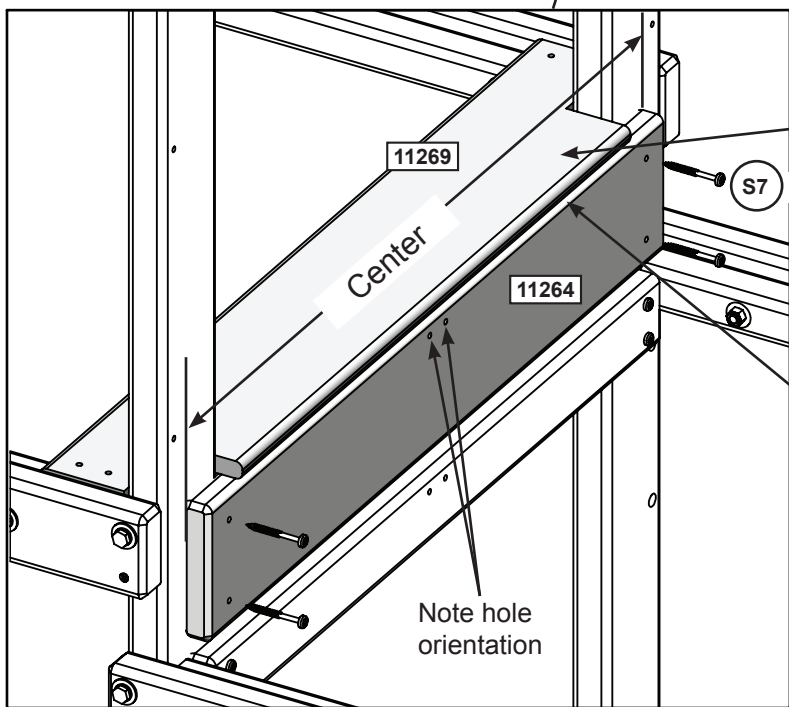
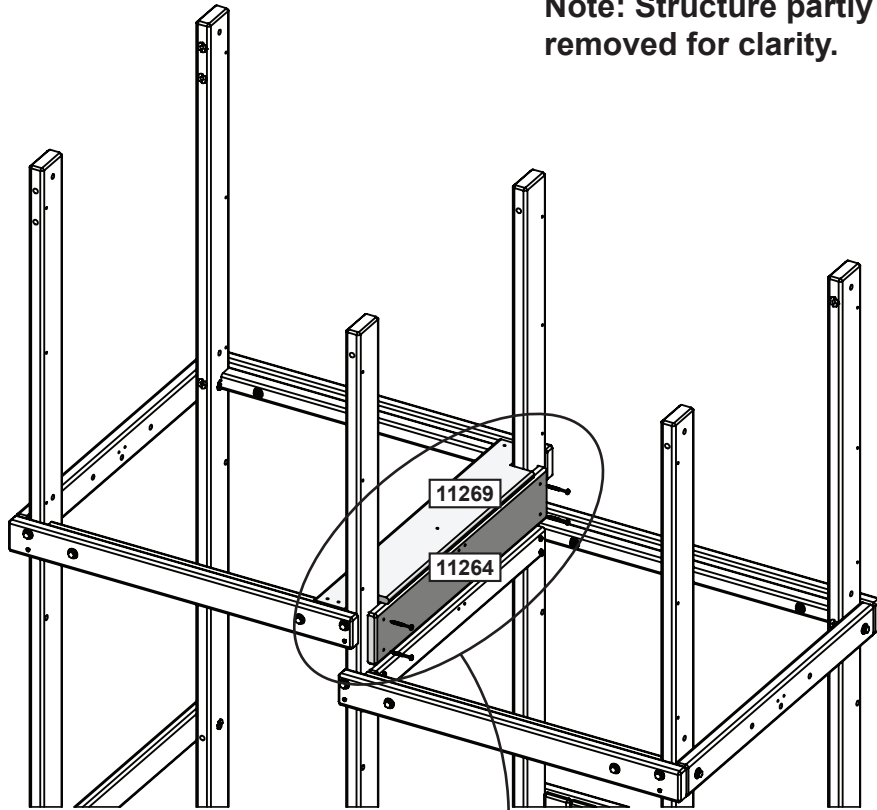
1 x 11265 25.4 mm x 63.5 mm x 714 mm (1" x 2 1/2" x 28 1/8")

Hardware

4 x S7 #12 x 50.8 mm (#12 x 2")



Note: Structure partly removed for clarity.



Do not attach, use for alignment only.



Wood Parts

- 1 x 11264 25.4 mm x 125 mm x 725.8 mm (1" x 4 15/16" x 28 9/16")
- 1 x 11269 15.9 mm x 136.5 mm x 787.4 mm (5/8" x 5 3/8" x 31")

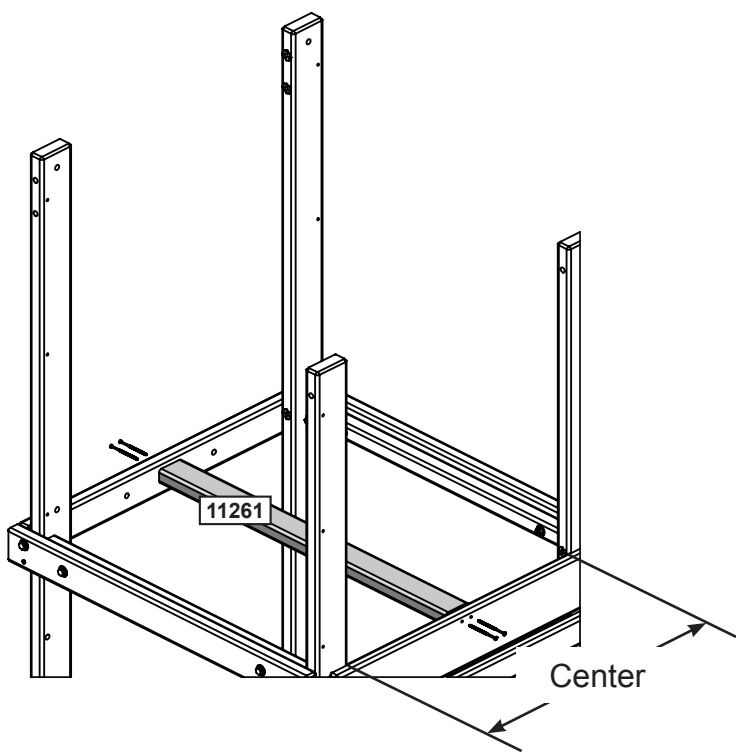
Hardware

- 4 x S7 #12 x 50.8 mm (#12 x 2")

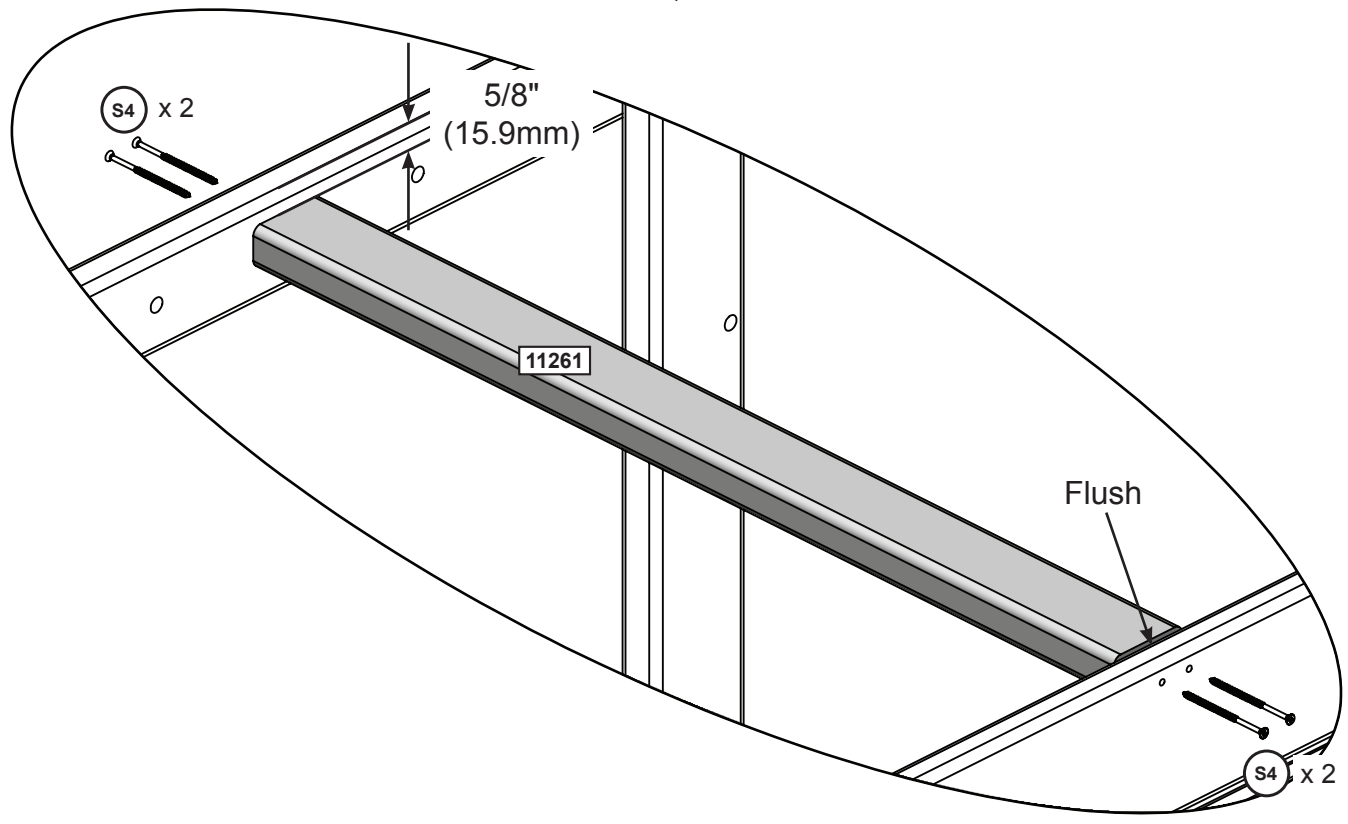


parts.kidkraft.com

customerservice@kidkraft.com
1.800.933.0771
972.385.0100



Note: Structure partly removed for clarity.



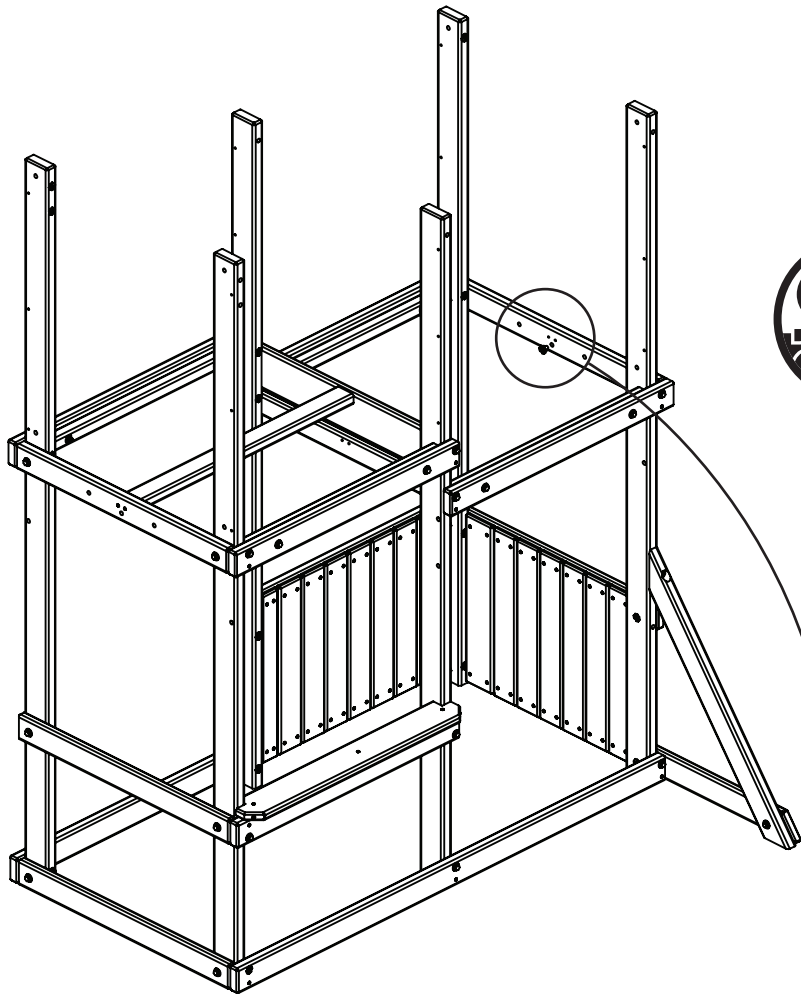
Wood Parts

1 x **11261** 31.8 mm x 63.5 mm x 805 mm (1 1/4" x 2 1/2" x 31 11/16")

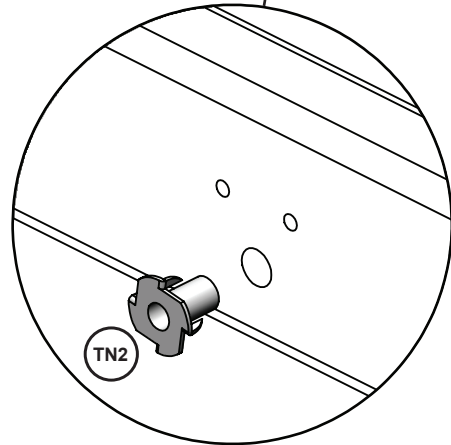
Hardware

4 x **S4** #8 x 76.2 mm (#8 x 3")



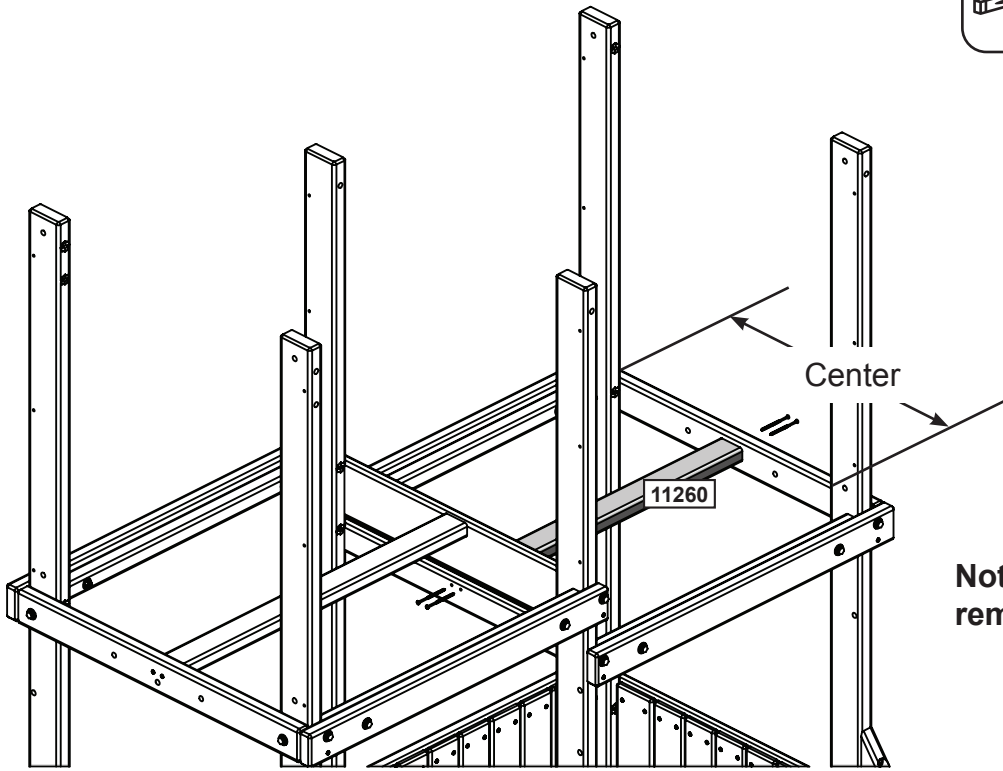


Hammer T-Nut into the hole!

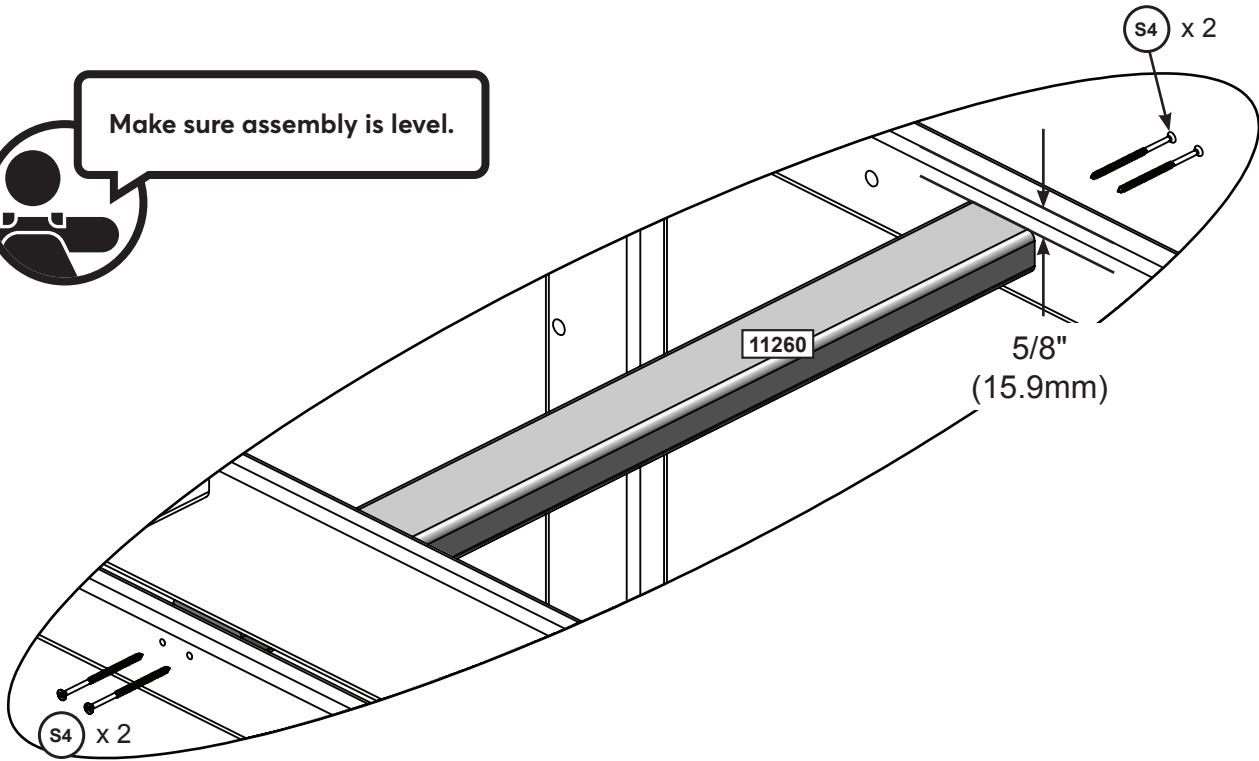
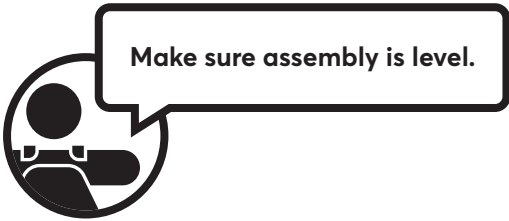


Hardware

1 x **TN2**



Note: Structure partly removed for clarity.



Wood Parts

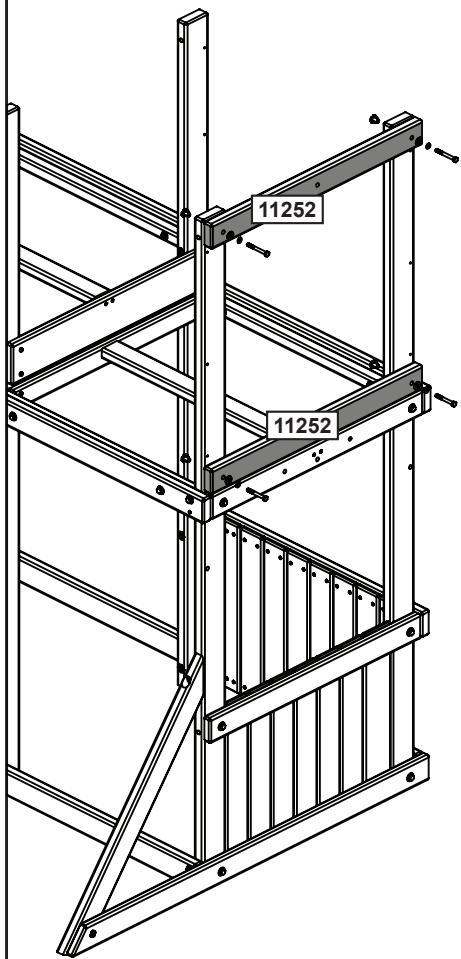
1 x 11260 31.8 mm x 63.5 mm x 742 mm (1 1/4" x 2 1/2" x 29 3/16")

Hardware

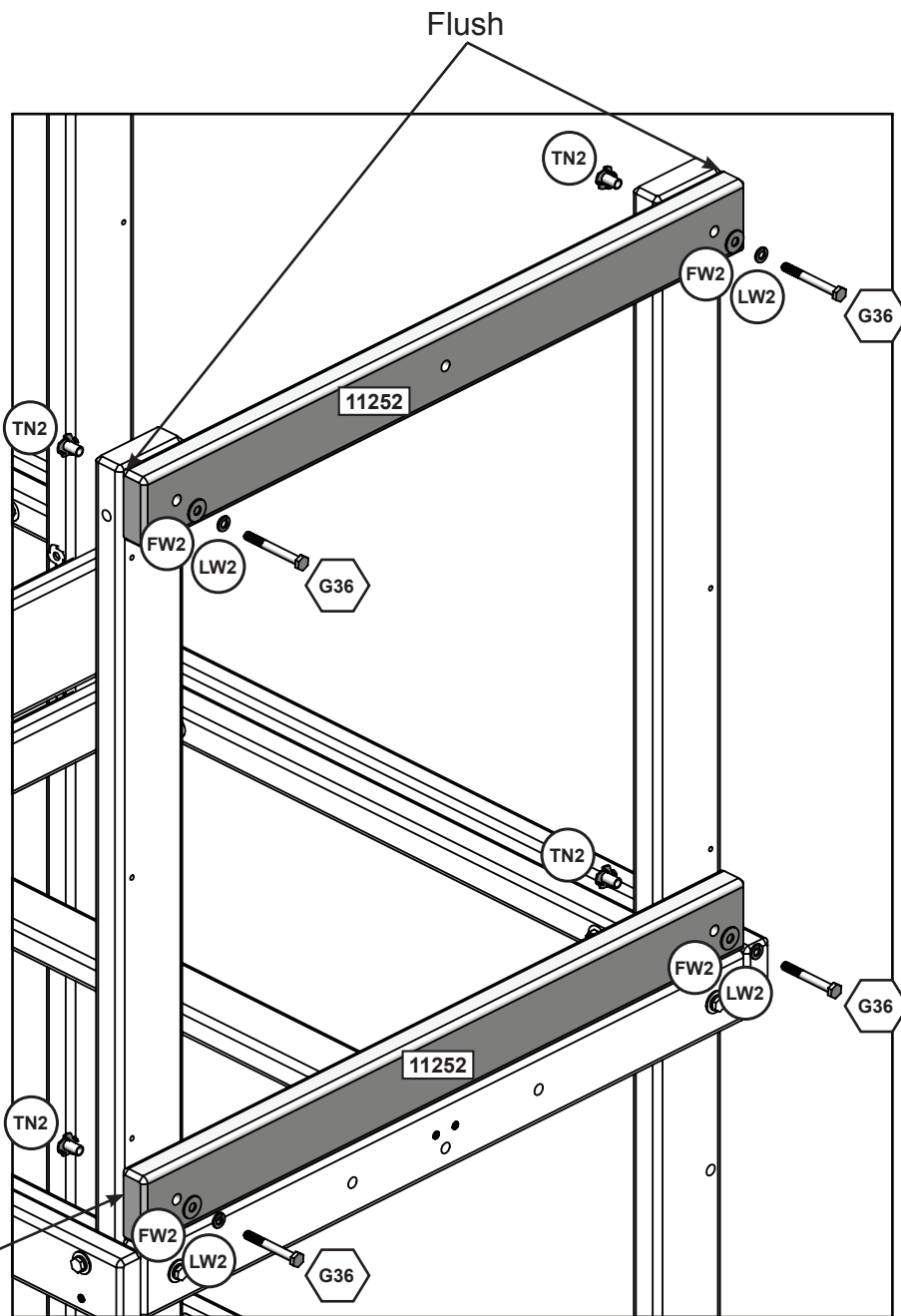
4 x S4 #8 x 76.2 mm (#8 x 3")



Assemble T-Nuts first with hammer!



Note: Structure partly removed for clarity.



Wood Parts

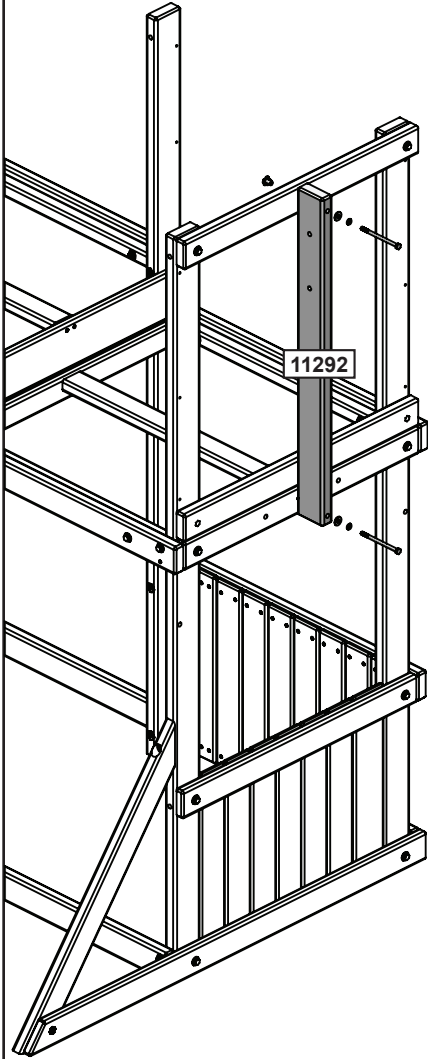
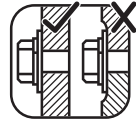
2 x 11252 31.8 mm x 76.2 mm x 791.4 mm (1 1/4" x 3" x 31 3/16")

Hardware

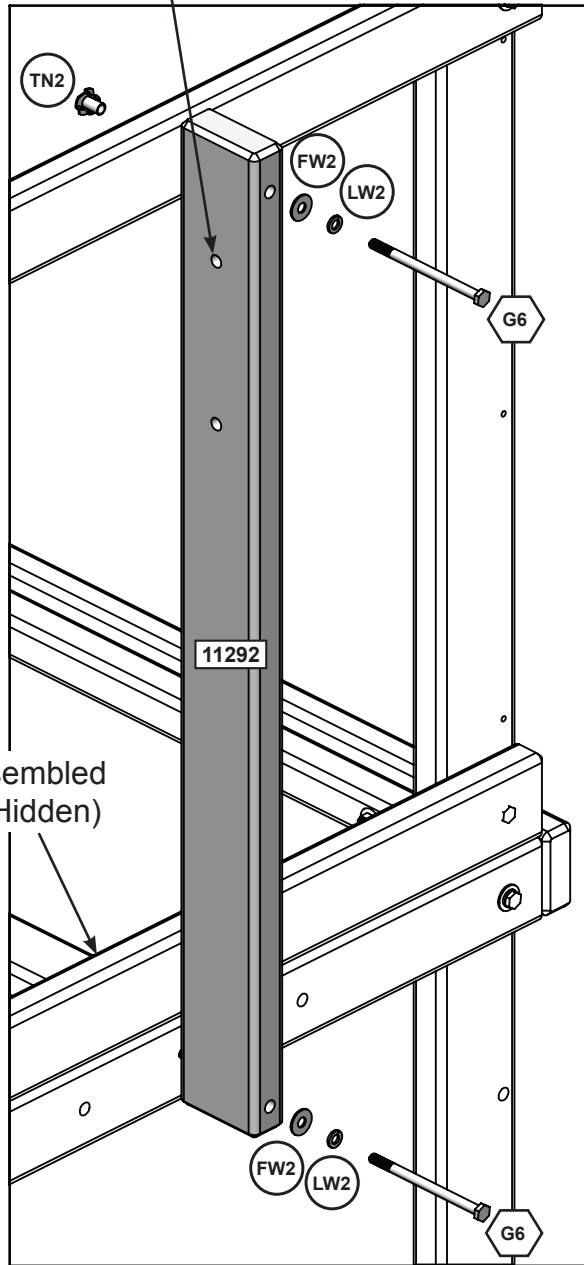
4 x G36 7.9 x 69.9 mm (5/16 x 2-3/4") (LW2, FW2, TN2)

31

Note hole orientation
Assemble T-Nuts first with hammer!



Note: Structure partly removed for clarity.



Wood Parts

1 x 11292 34.9 mm x 85.7 mm x 901.7 mm (1 3/8" x 3 3/8" x 35 1/2")

Hardware

1 x G6 7.9 x 120.7 mm (5/16 x 4-3/4") (LW2, FW2, TN2)

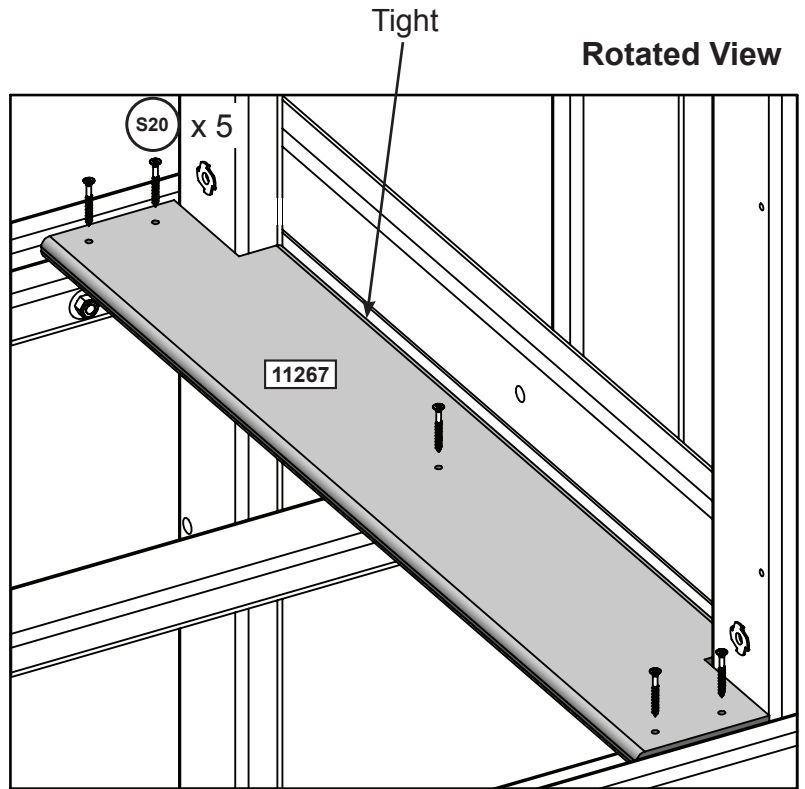
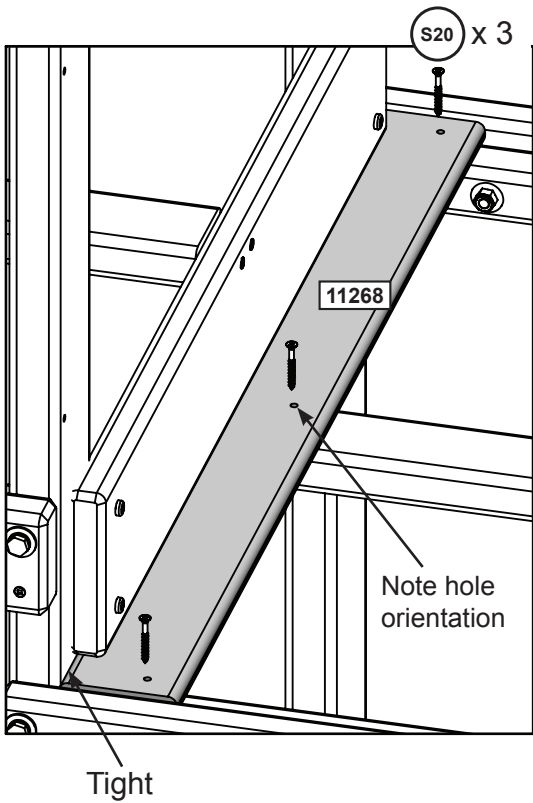
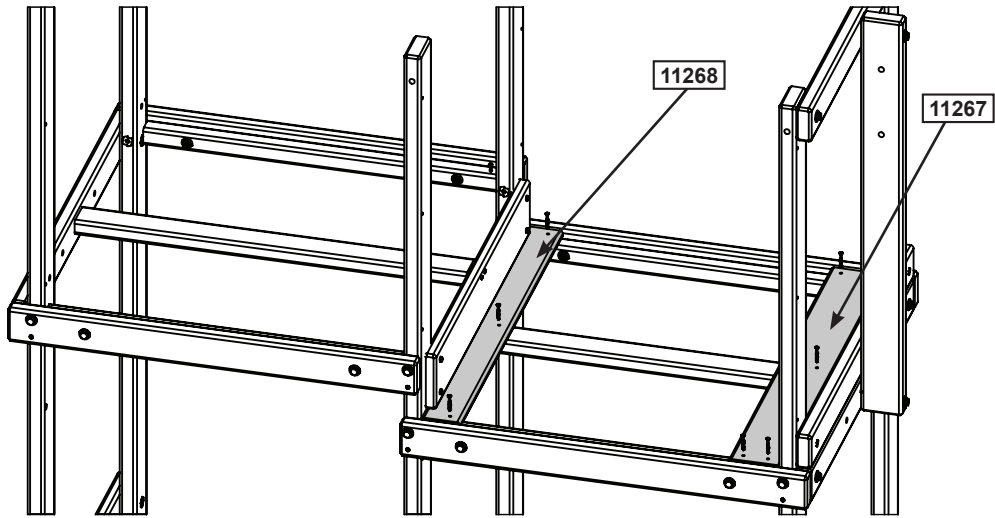
1 x G6 7.9 x 120.7 mm (5/16 x 4-3/4") (LW2, FW2)

europecustomerservice@kidkraft.com
+31 20 305 8620
M-F from 09:00 to 17:30 (GMT+1)

parts.kidkraft.eu



Note: Structure partly removed for clarity.



Wood Parts

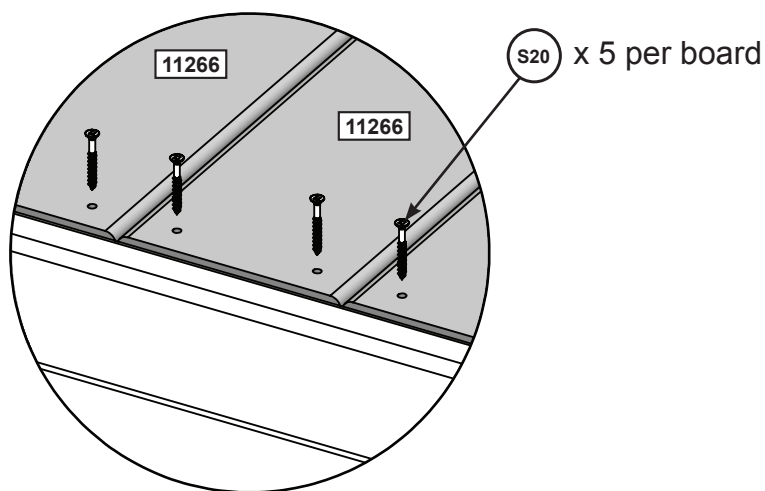
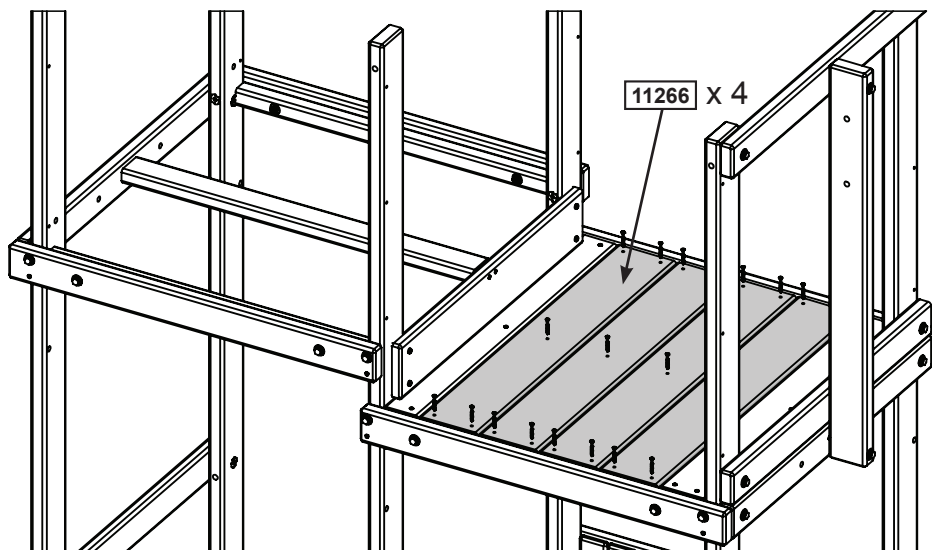
- 1 x 11267 15.9 mm x 136.5 mm x 787.4 mm (5/8" x 5 3/8" x 31")
- 1 x 11268 15.9 mm x 80.9 mm x 787.4 mm (5/8" x 3 3/16" x 31")

Hardware

- 8 x S20 #8 x 34.9 mm (#8 x 1-3/8")

Evenly space the boards.

Note: Structure partly removed for clarity.



Wood Parts

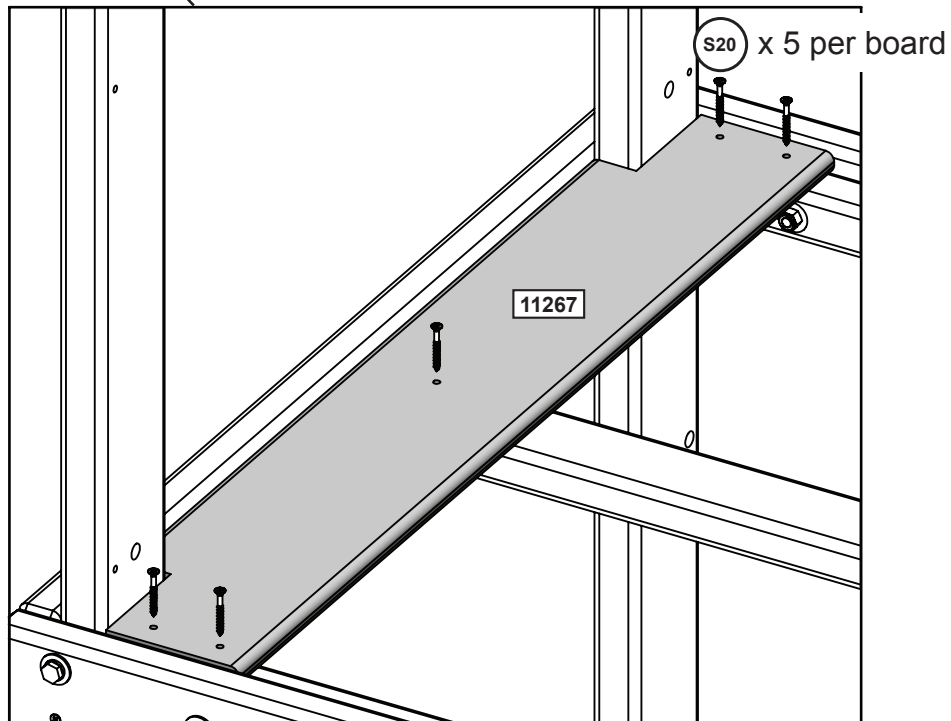
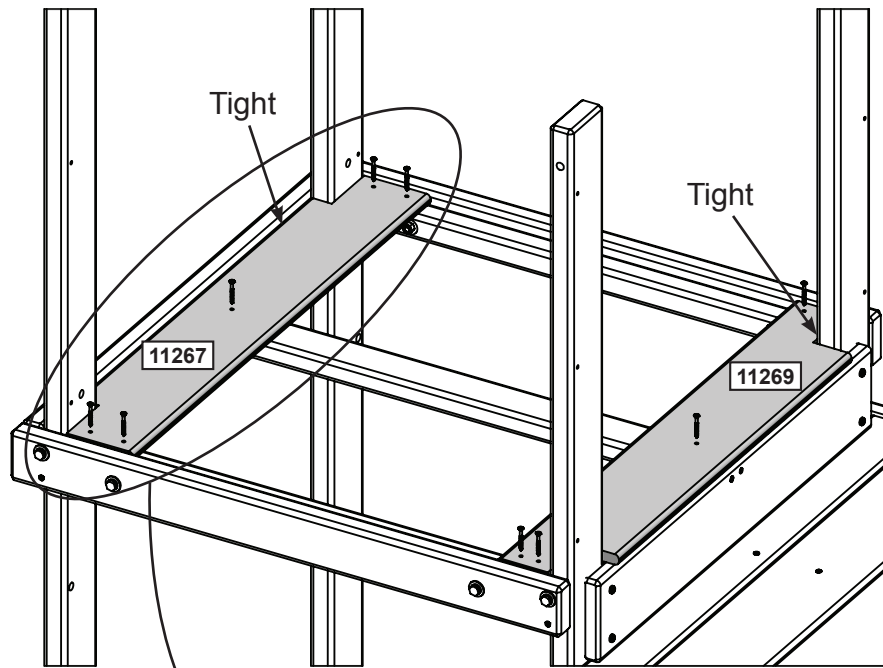
4 x **11266** 15.9 mm x 136.5 mm x 787.4 mm (5/8" x 5 3/8" x 31")

Hardware

20 x **s20** #8 x 34.9 mm (#8 x 1-3/8")



Note: Structure partly removed for clarity.



Wood Parts

1 x 11267 15.9 mm x 136.5 mm x 787.4 mm (5/8" x 5 3/8" x 31")

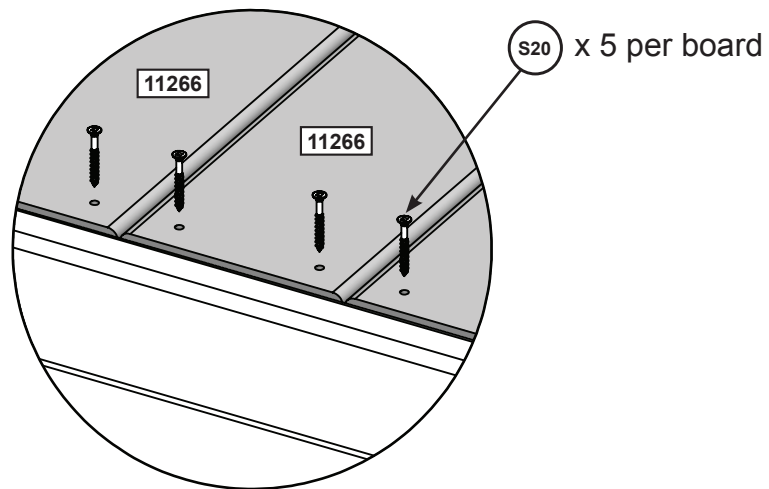
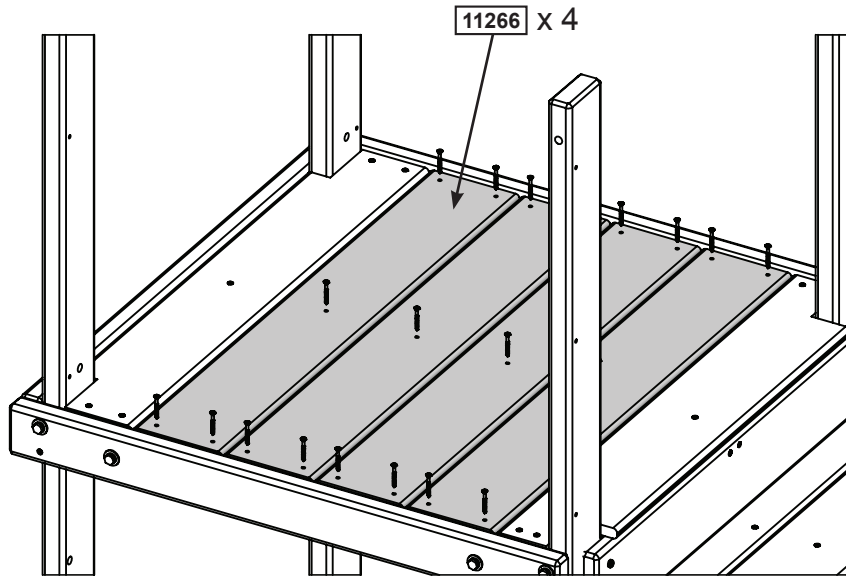
Hardware

10 x S20 #8 x 34.9 mm (#8 x 1-3/8")

35

Evenly space the boards.

Note: Structure partly removed for clarity.



Wood Parts

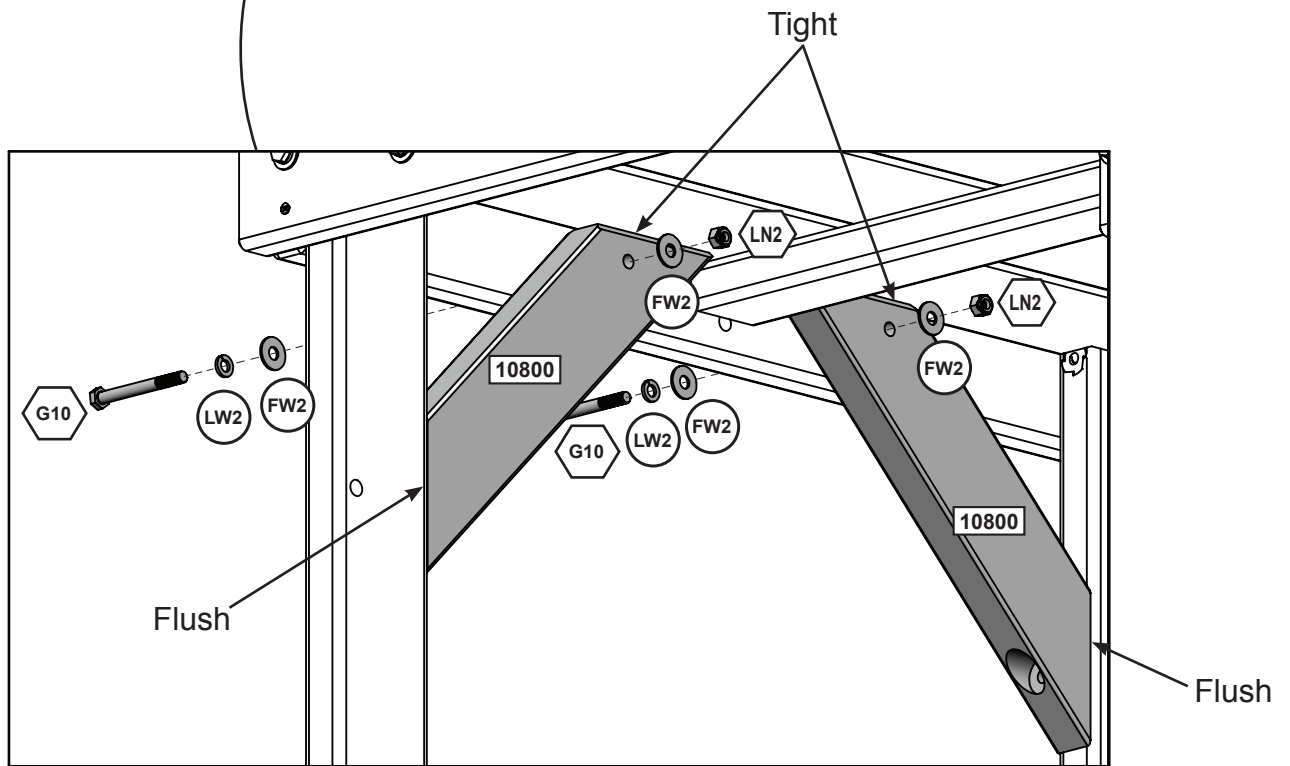
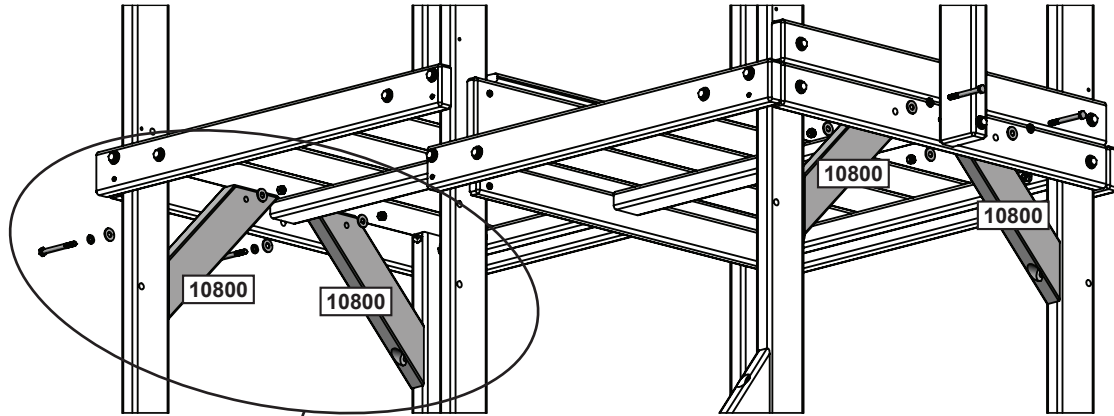
4 x **11266** 15.9 mm x 136.5 mm x 787.4 mm (5/8" x 5 3/8" x 31")

Hardware

20 x **S20** #8 x 34.9 mm (#8 x 1-3/8")



Note: Structure partly removed for clarity.



Underneath View

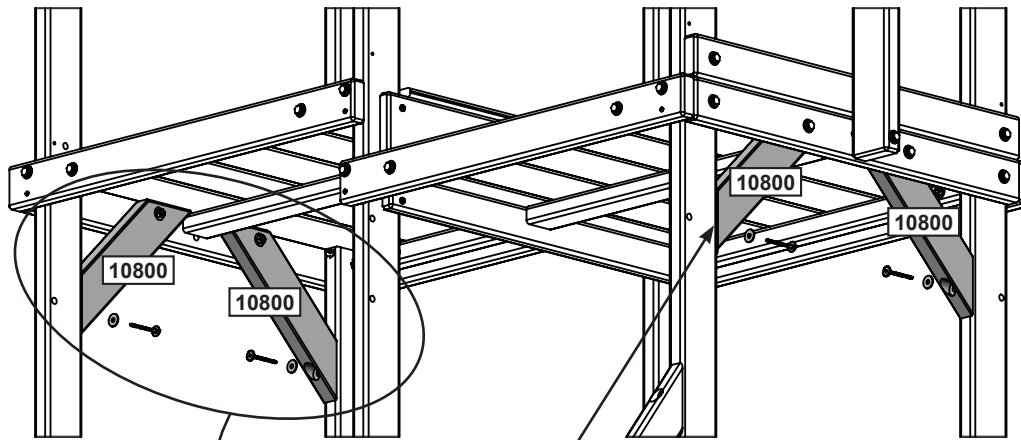
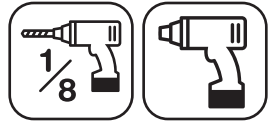
Wood Parts

4 x **10800** 31.8 mm x 76.2 mm x 384.1 mm (1 1/4" x 3" x 15 1/8")

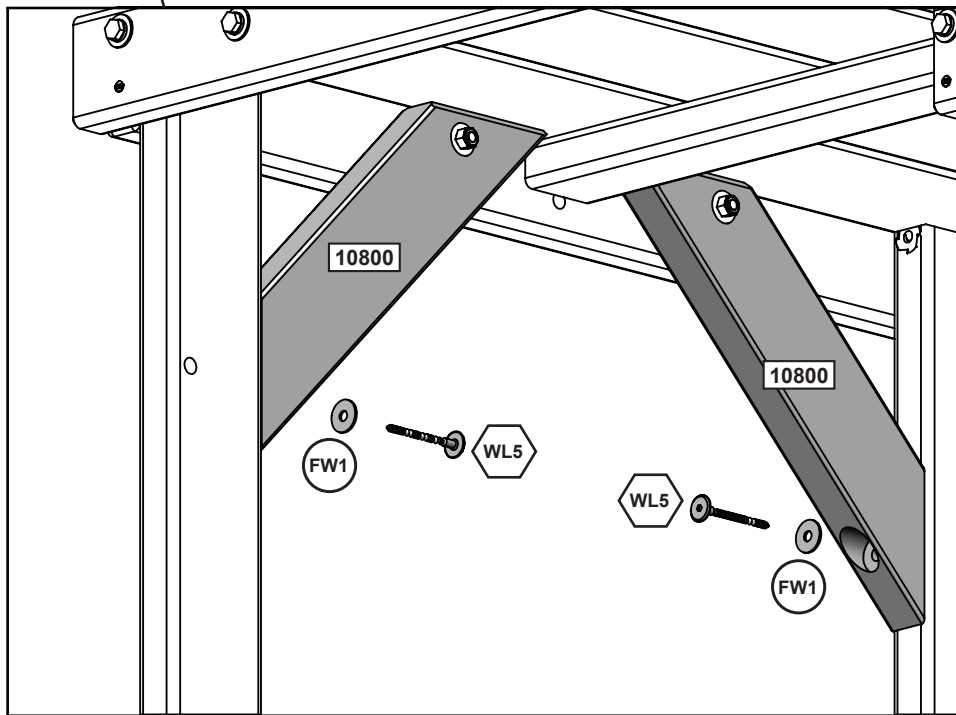
Hardware

4 x **G10** 7.9 x 76.2 mm (5/16 x 3") (FW2 x 2, LW2, LN2)

Note: Structure partly removed for clarity.



Pre-drill each hole using a 1/8" drill bit for WL5.



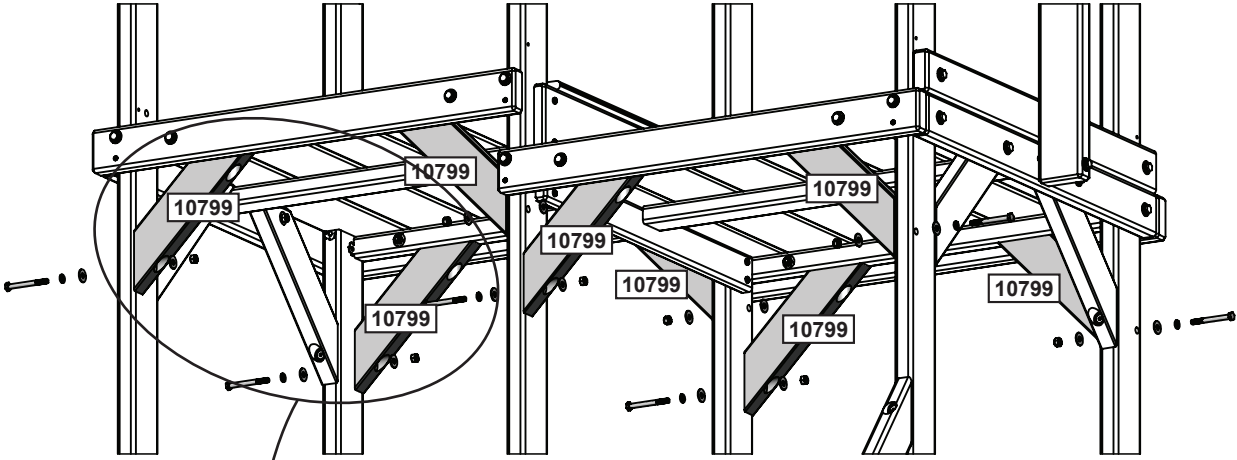
Underneath View

Hardware

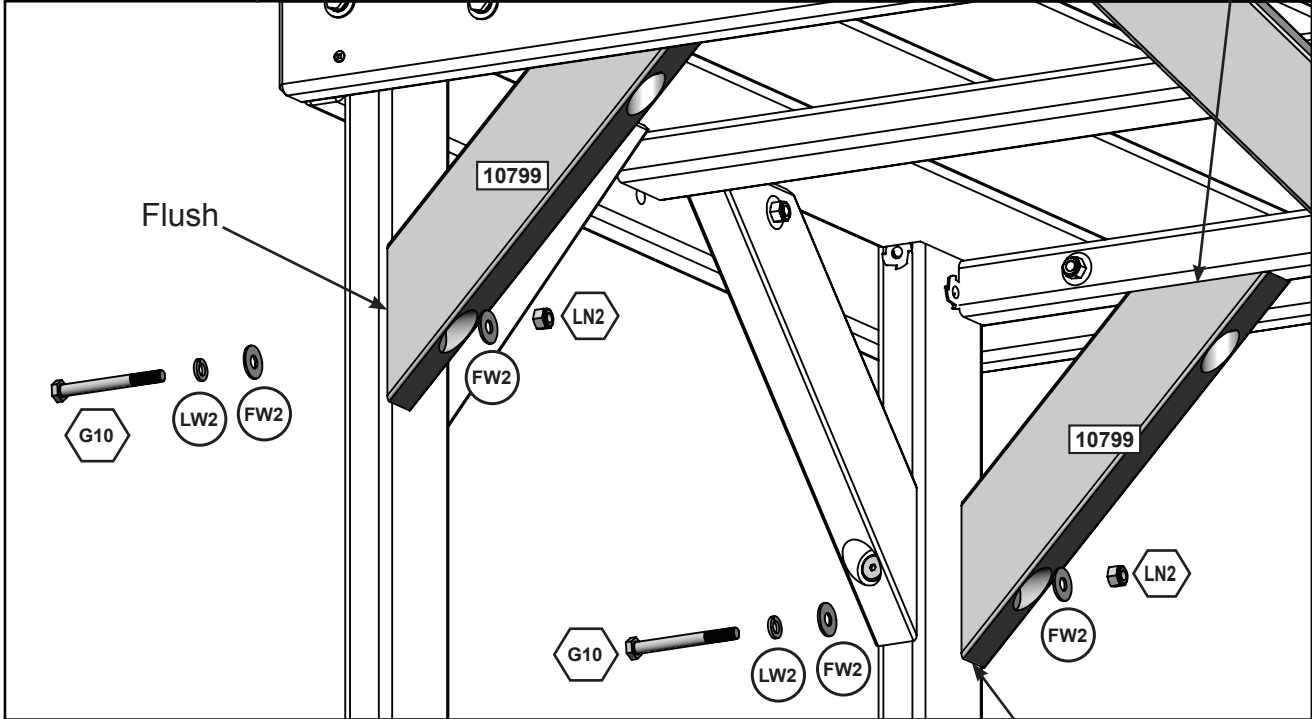
4 x  WL5 6.4 x 63.5 mm (1/4 x 2-1/2") (FW1)



Note: Structure partly removed for clarity.



Underneath View



Wood Parts

8 x 10799 31.8 mm x 76.2 mm x 330.2 mm (1 1/4" x 3" x 13")

Hardware

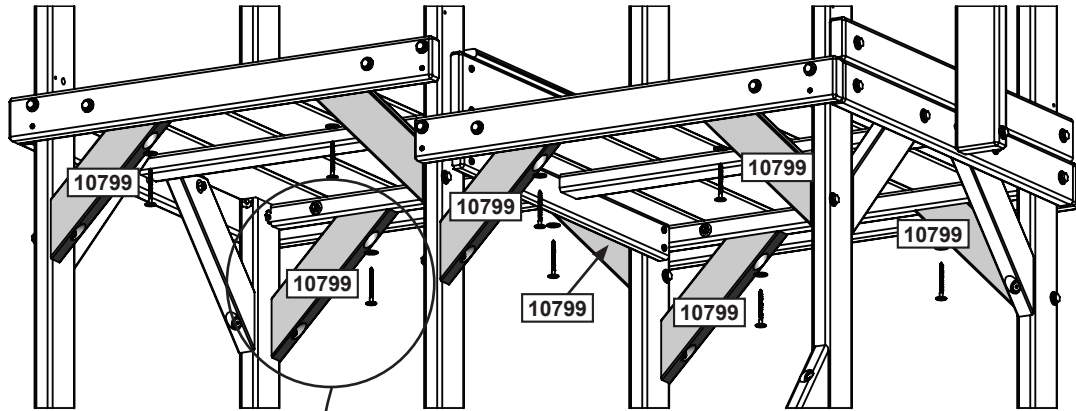
8 x G10 7.9 x 76.2 mm (5/16 x 3") (FW2 x 2, LW2, LN2)



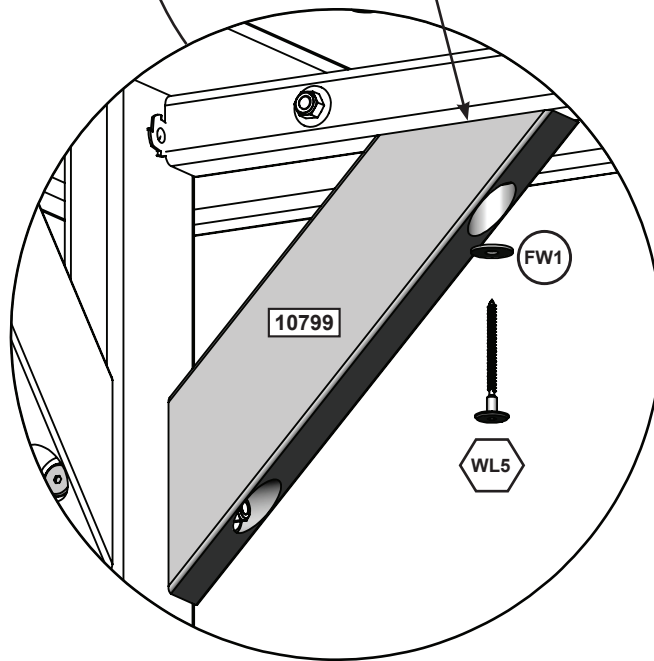
parts.kidkraft.com

customerservice@kidkraft.com
1.800.933.0771
972.385.0100

Note: Structure partly removed for clarity.



Pre-drill each hole using a 1/8" drill bit for WL5.

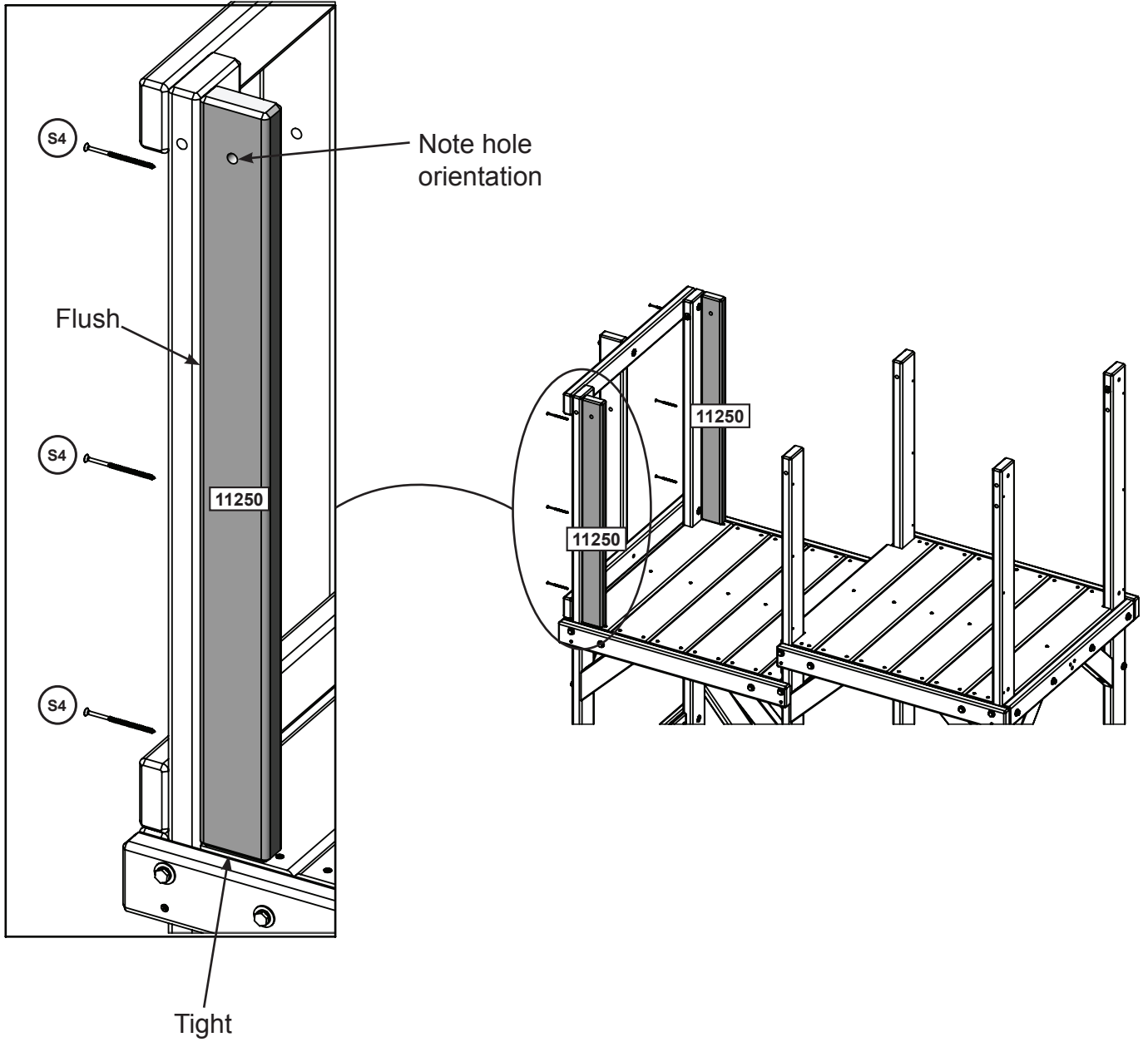
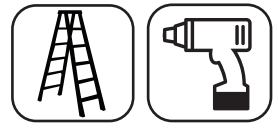


Underneath View

Hardware

8x  6.4 x 63.5 mm (1/4 x 2-1/2") (FW1)





Wood Parts

2 x 11250 31.8 mm x 76.2 mm x 825.5 mm (1 1/4" x 3" x 32 1/2")

Hardware

6 x S4 #8 x 76.2 mm (#8 x 3")

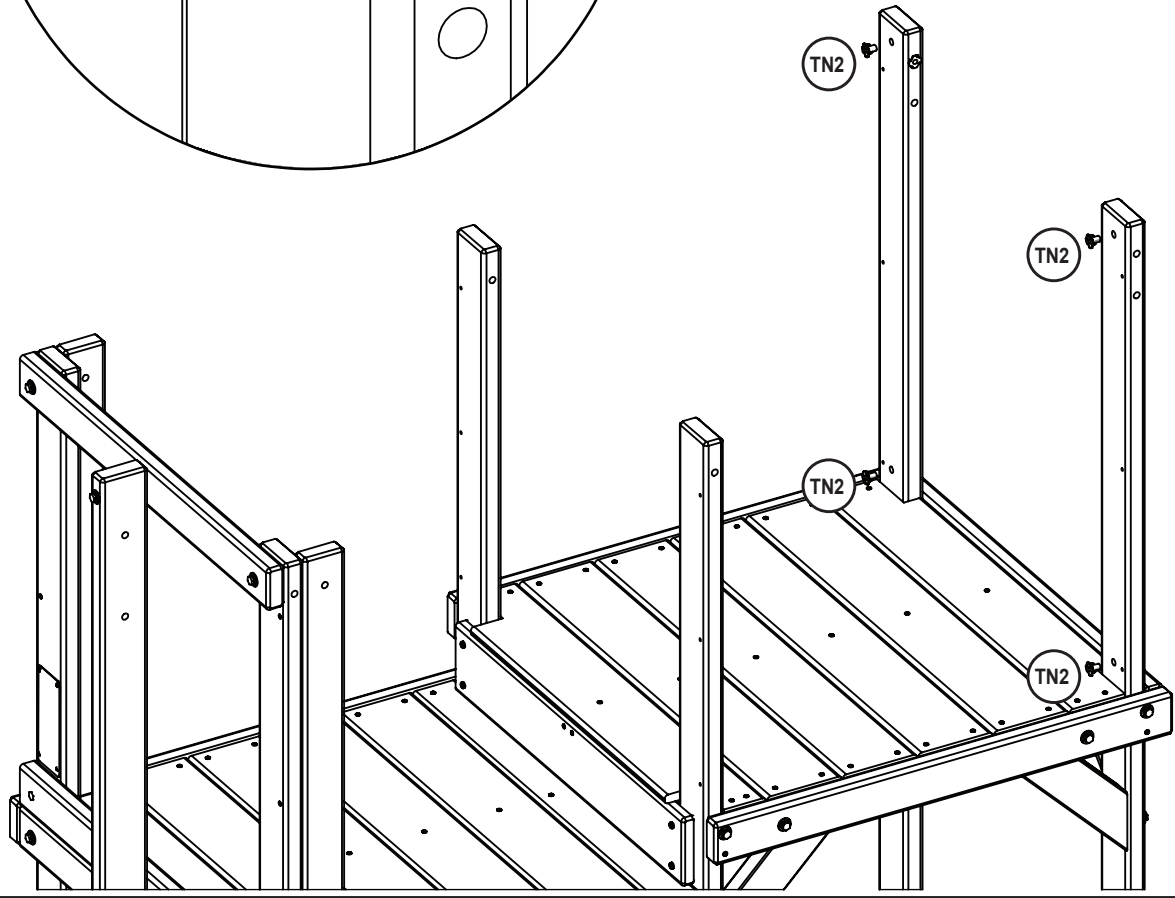
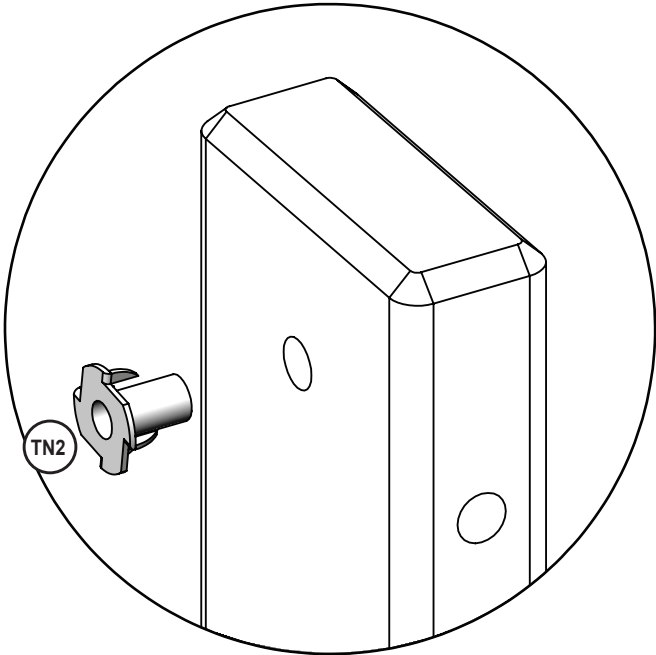


parts.kidkraft.com

customerservice@kidkraft.com
1.800.933.0771
972.385.0100



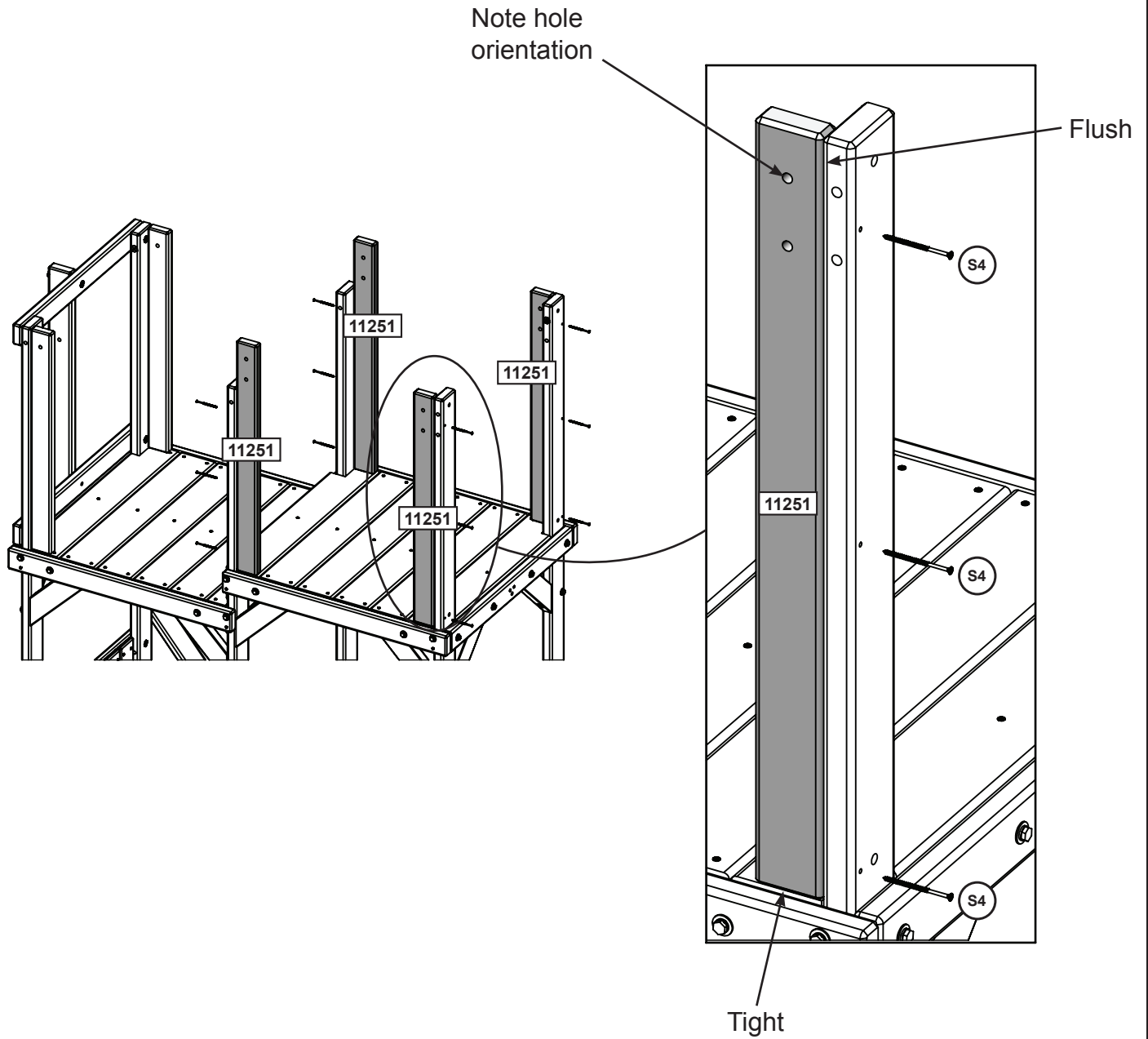
Hammer T-Nut into the hole.



Hardware

4 x 



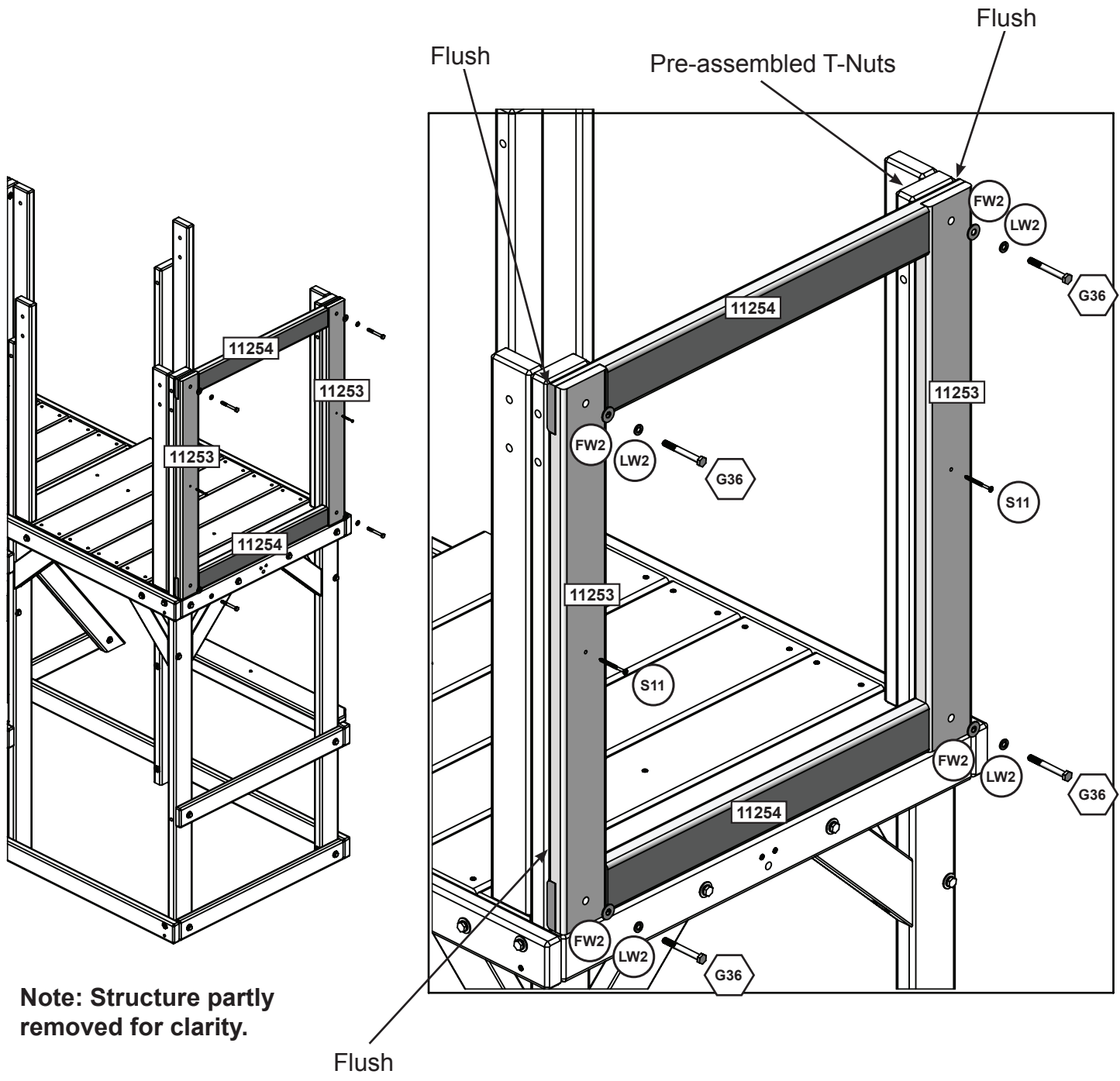
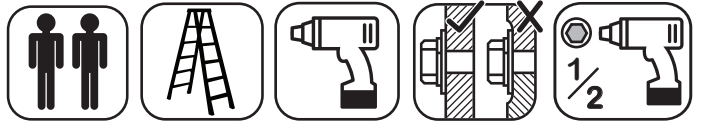


Wood Parts

4 x **11251** 31.8 mm x 76.2 mm x 860.4 mm (1 1/4" x 3" x 33 7/8")

Hardware

12 x **S4** #8 x 76.2 mm (#8 x 3")



Note: Structure partly removed for clarity.

Wood Parts

- 2 x **11253** 31.8 mm x 85.7 mm x 860.4 mm (1 1/4" x 3 3/8" x 33 7/8")
- 2 x **11254** 31.8 mm x 76.2 mm x 791.4 mm (1 1/4" x 3" x 31 3/16")

Hardware

- 4 x **G36** 7.9 x 69.9 mm (5/16 x 2-3/4") (LW2, FW2)
- 2 x **S11** #8 x 50.8mm (#8 x 2")

europecustomerservice@kidkraft.com
 +31 20 305 8620
 M-F from 09:00 to 17:30 (GMT+1)

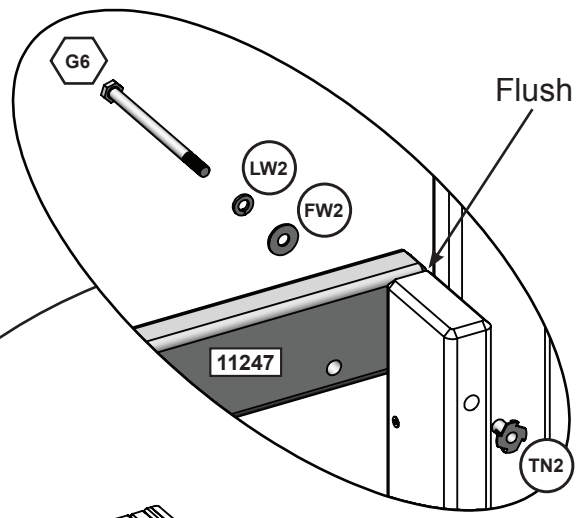
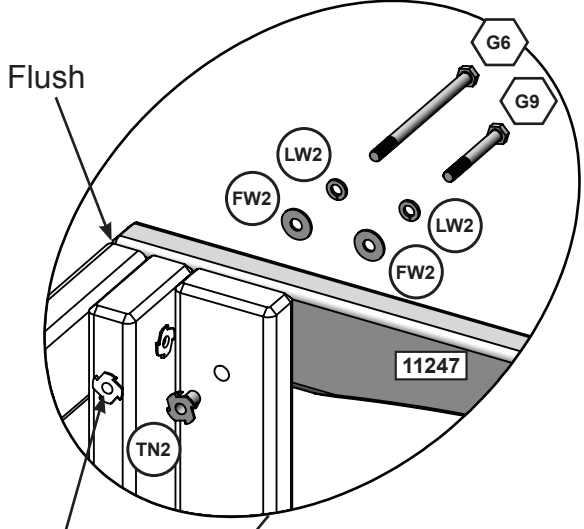
parts.kidkraft.eu



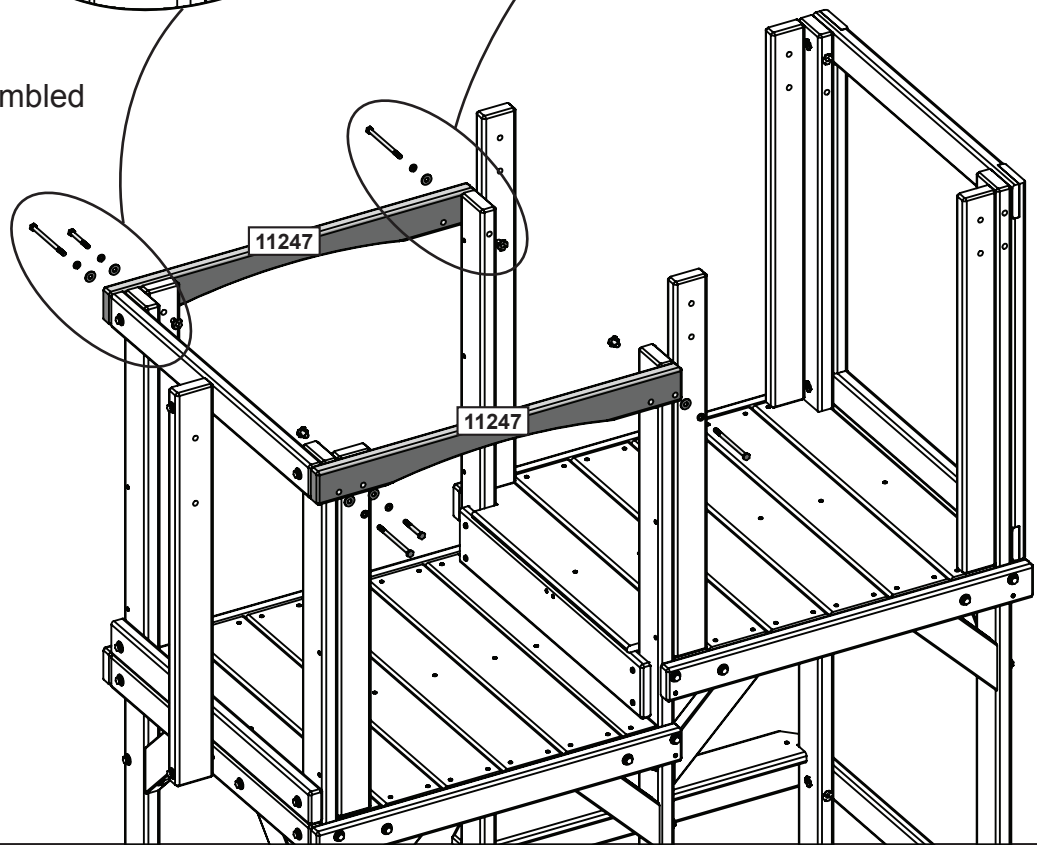
Assemble T-Nuts first with hammer!
Make sure the assembly is square.



Rotated View



Pre-assembled T-Nut



Note: Structure partly removed for clarity.

Wood Parts

2 x 11247 31.8 mm x 76.2 mm x 837.1 mm (1 1/4" x 3" x 32 15/16")

Hardware

- 2 x G6 7.9 x 120.7 mm (5/16 x 4-3/4") (LW2, FW2)
- 2 x G6 7.9 x 120.7 mm (5/16 x 4-3/4") (LW2, FW2, TN2)
- 2 x G9 7.9 x 63.5 mm (5/16 x 2-1/2") (LW2, FW2, TN2)

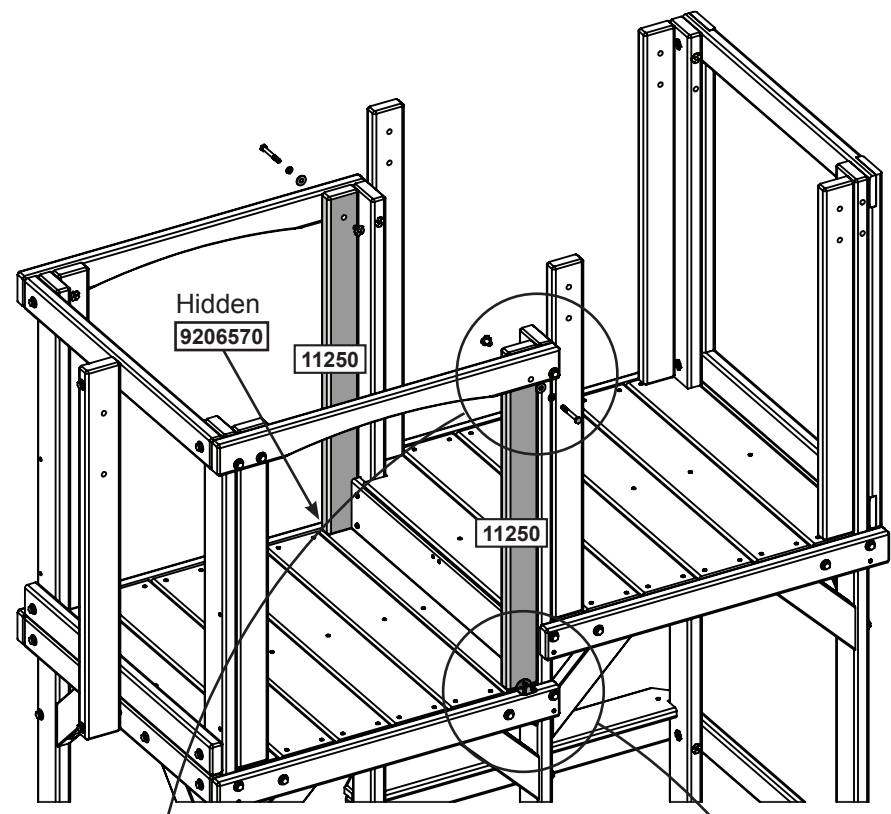
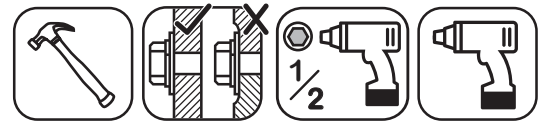


parts.kidkraft.com

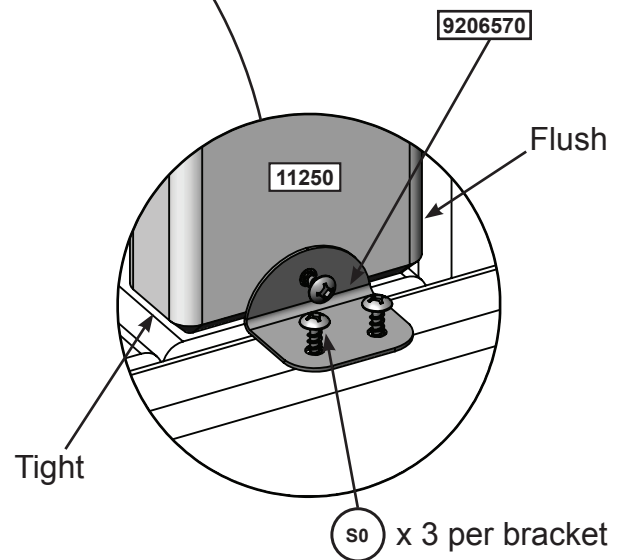
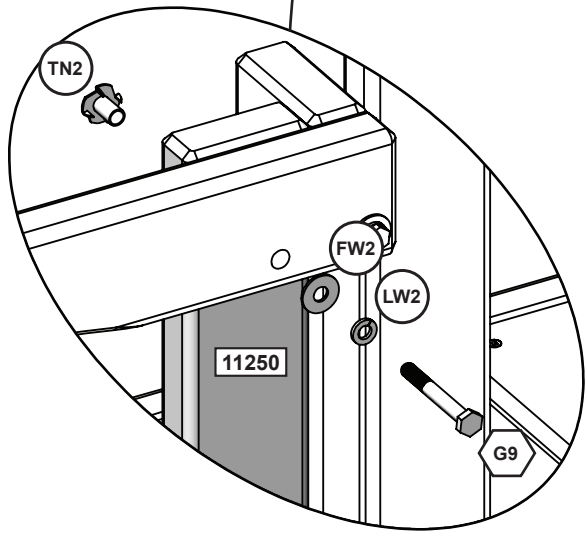
customerservice@kidkraft.com
1.800.933.0771
972.385.0100



Assemble T-Nuts first with hammer!



Note: Structure partly removed for clarity.



Wood Parts

2 x 11250 31.8 mm x 76.2 mm x 825.5 mm (1 1/4" x 3" x 32 1/2")

Hardware

6 x S0 #8 x 22.2 mm (#8 x 7/8")
 2 x G9 7.9 x 63.5 mm (5/16 x 2-1/2") (LW2, FW2, TN2)

Other Parts

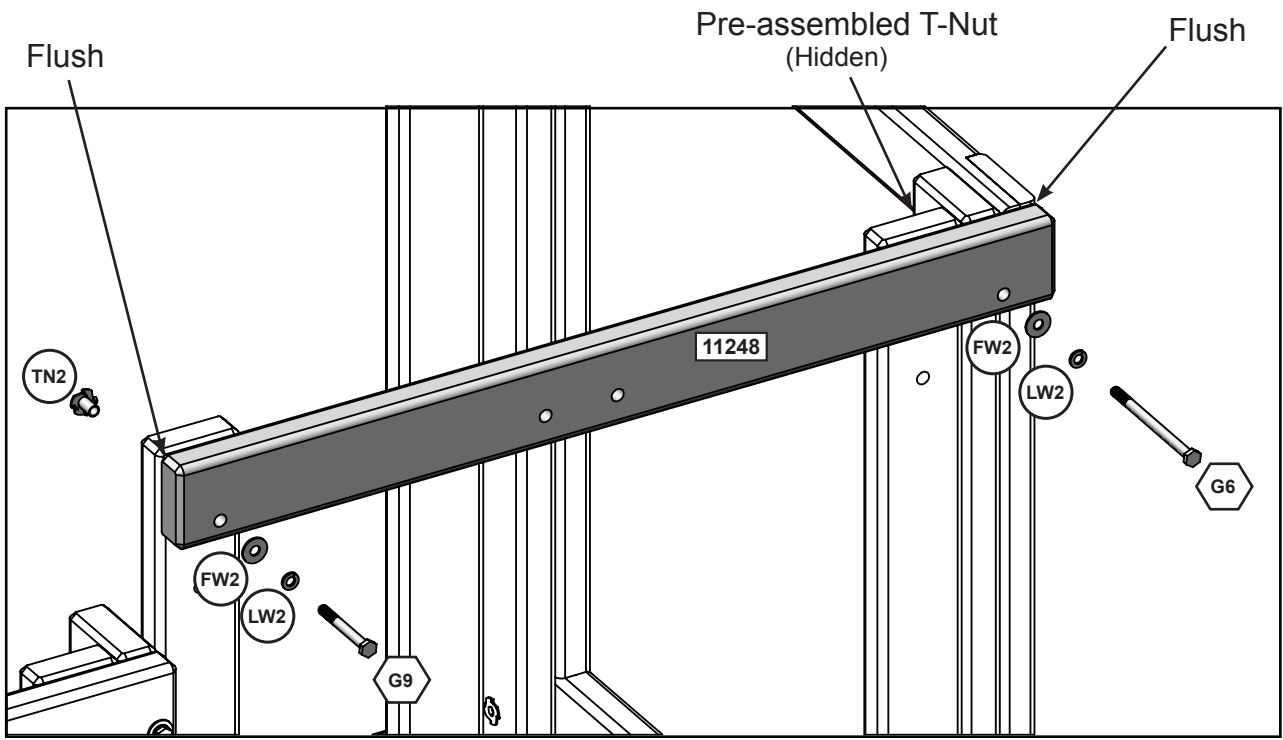
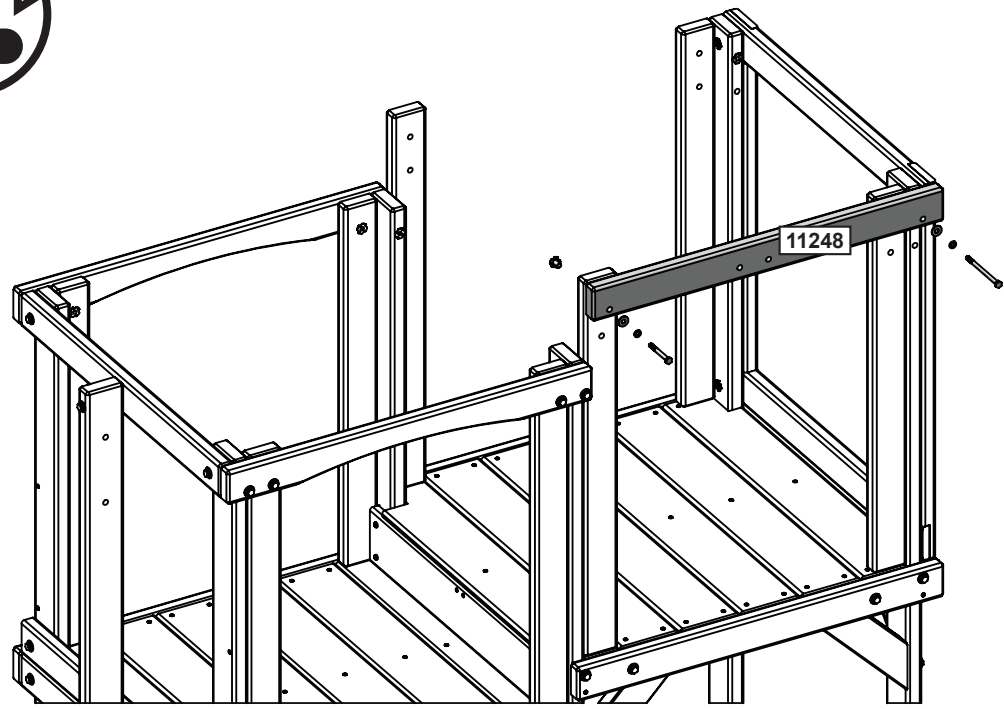
2 x 9206570



46



Note hole orientation
Assemble T-Nuts first with hammer!



Wood Parts

1 x 11248 31.8 mm x 76.2 mm x 805.3 mm (1 1/4" x 3" x 31 11/16")

Hardware

1 x G6 7.9 x 120.7 mm (5/16 x 4-3/4") (LW2, FW2)
1 x G9 7.9 x 63.5 mm (5/16 x 2-1/2") (LW2, FW2, TN2)



parts.kidkraft.com

customerservice@kidkraft.com
1.800.933.0771
972.385.0100

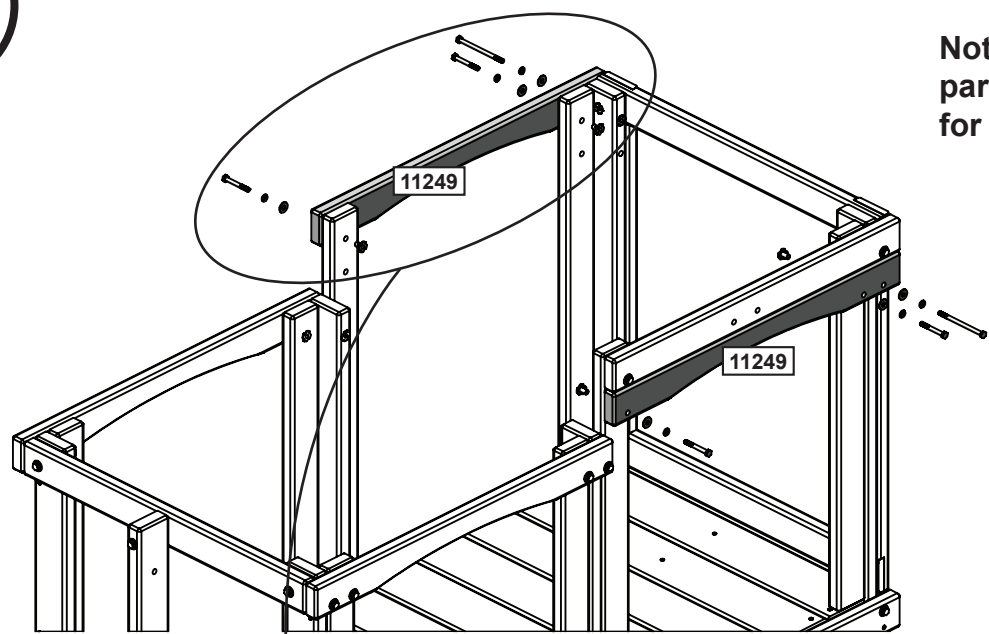
47



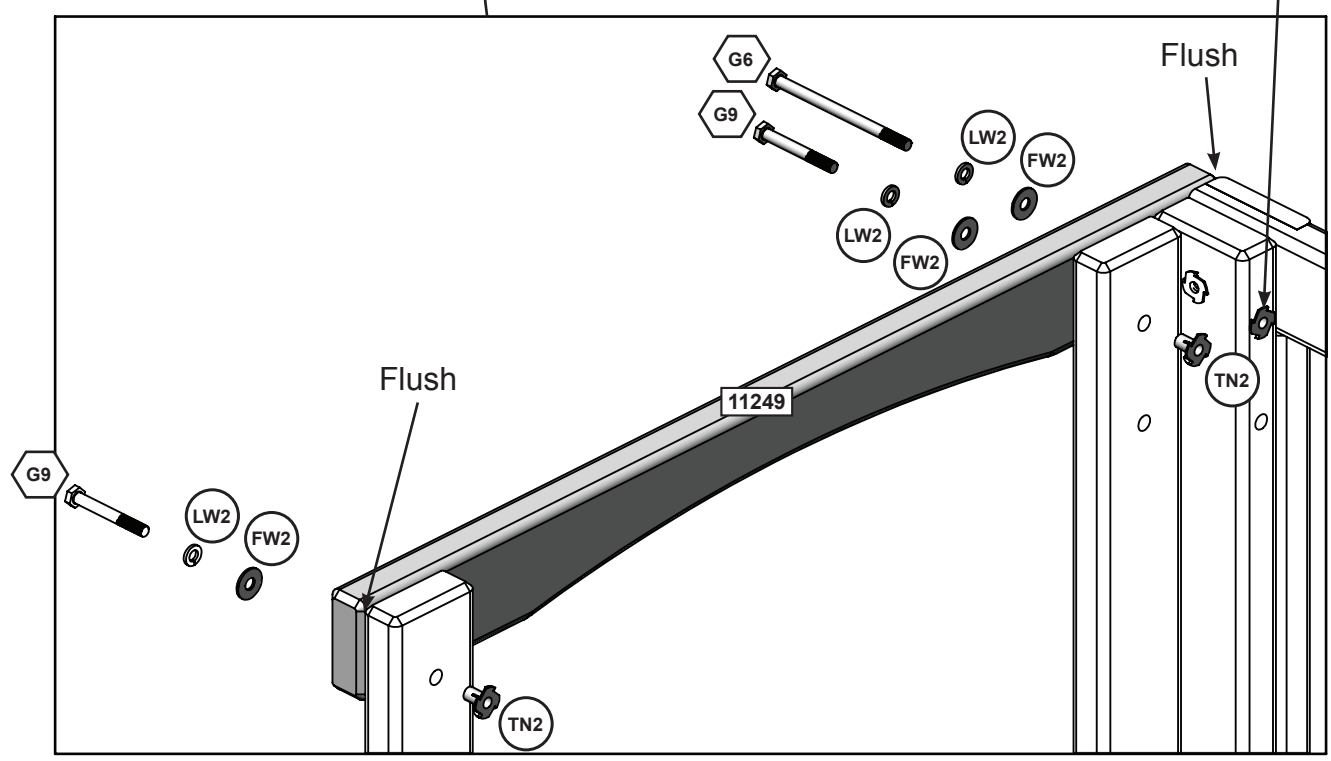
Assemble T-Nuts first with hammer!



Note: Structure partly removed for clarity.



Pre-assembled T-Nut



Wood Parts

2 x 11249 31.8 mm x 76.2 mm x 805.3 mm (1 1/4" x 3" x 31 11/16")

Hardware

2 x G6 7.9 x 120.7 mm (5/16 x 4-3/4") (LW2, FW2)

4 x G9 7.9 x 63.5 mm (5/16 x 2-1/2") (LW2, FW2, TN2)

europecustomerservice@kidkraft.com
+31 20 305 8620
M-F from 09:00 to 17:30 (GMT+1)

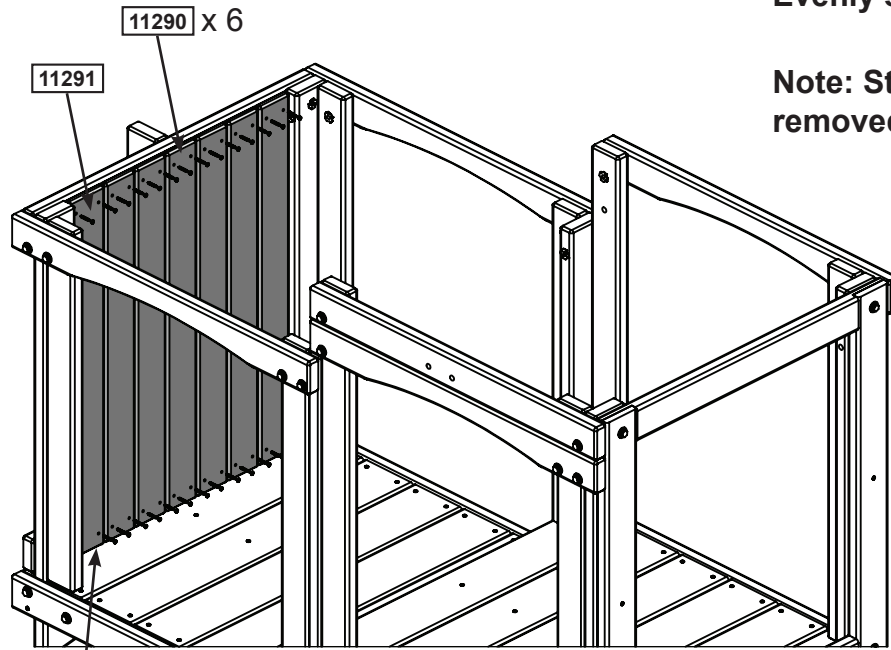
parts.kidkraft.eu



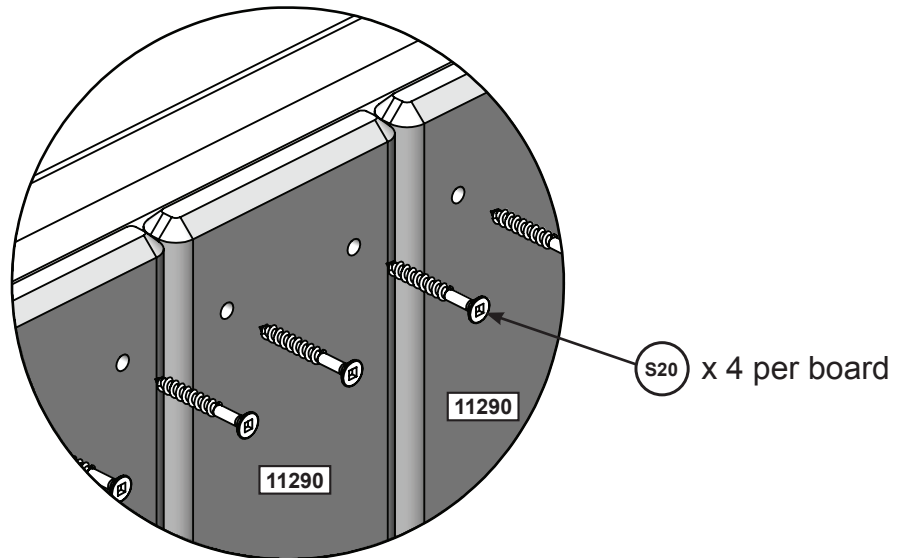


Evenly space the boards.

Note: Structure partly removed for clarity.



Tight



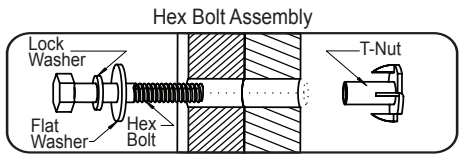
Wood Parts

- 6 x 11290 15.9 mm x 85.7 mm x 822.2 mm (5/8" x 3 3/8" x 32 3/8")
- 1 x 11291 15.9 mm x 101.6 mm x 822.2 mm (5/8" x 4" x 32 3/8")

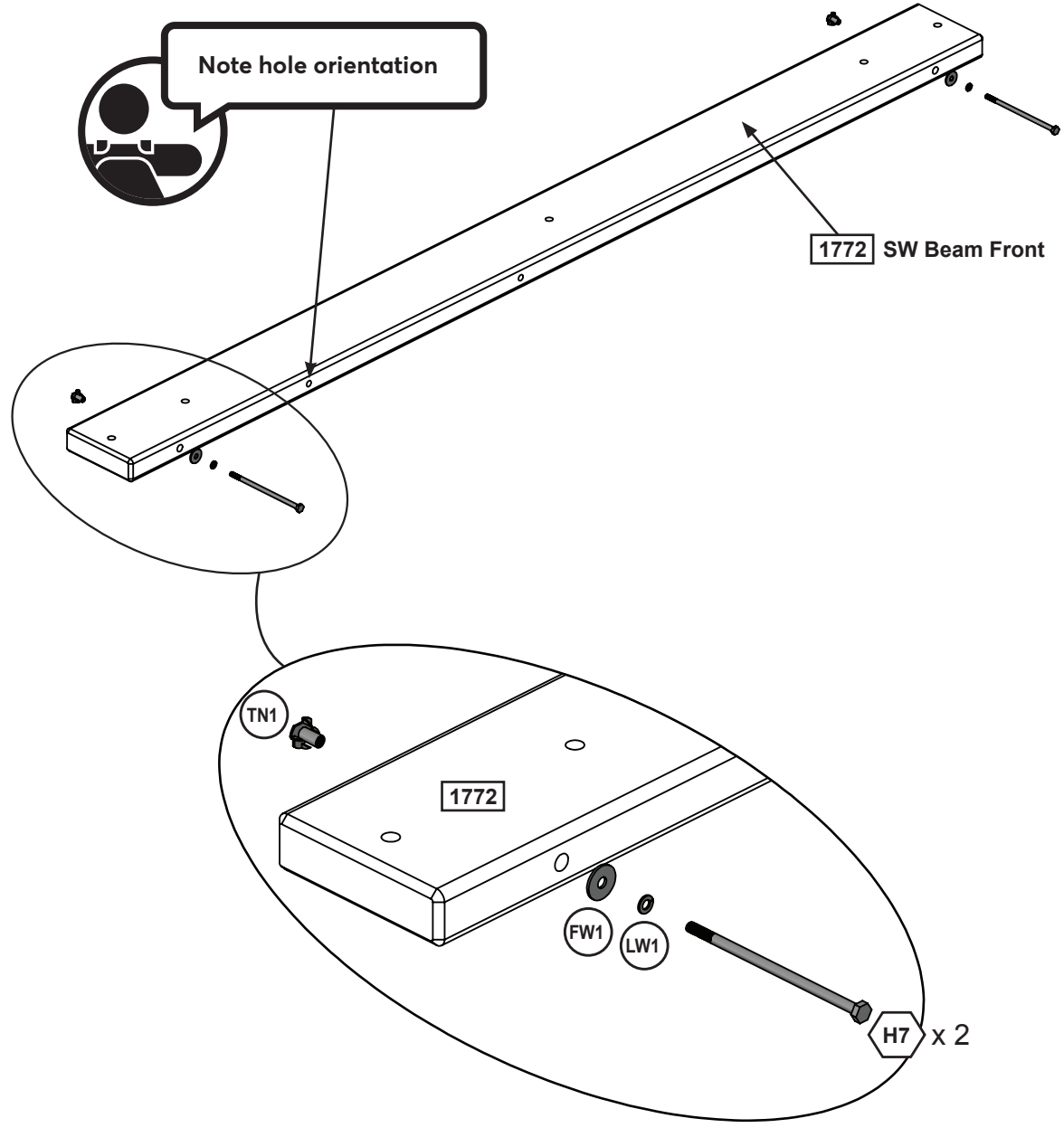
Hardware

- 28 x S20 #8 x 34.9 mm (#8 x 1-3/8")

49



Assemble T-Nuts first with hammer!



Wood Parts

1 x 1772 38.1 mm x 136.5 mm x 1765.3 mm (1 1/2" x 5 3/8" x 69 1/2")

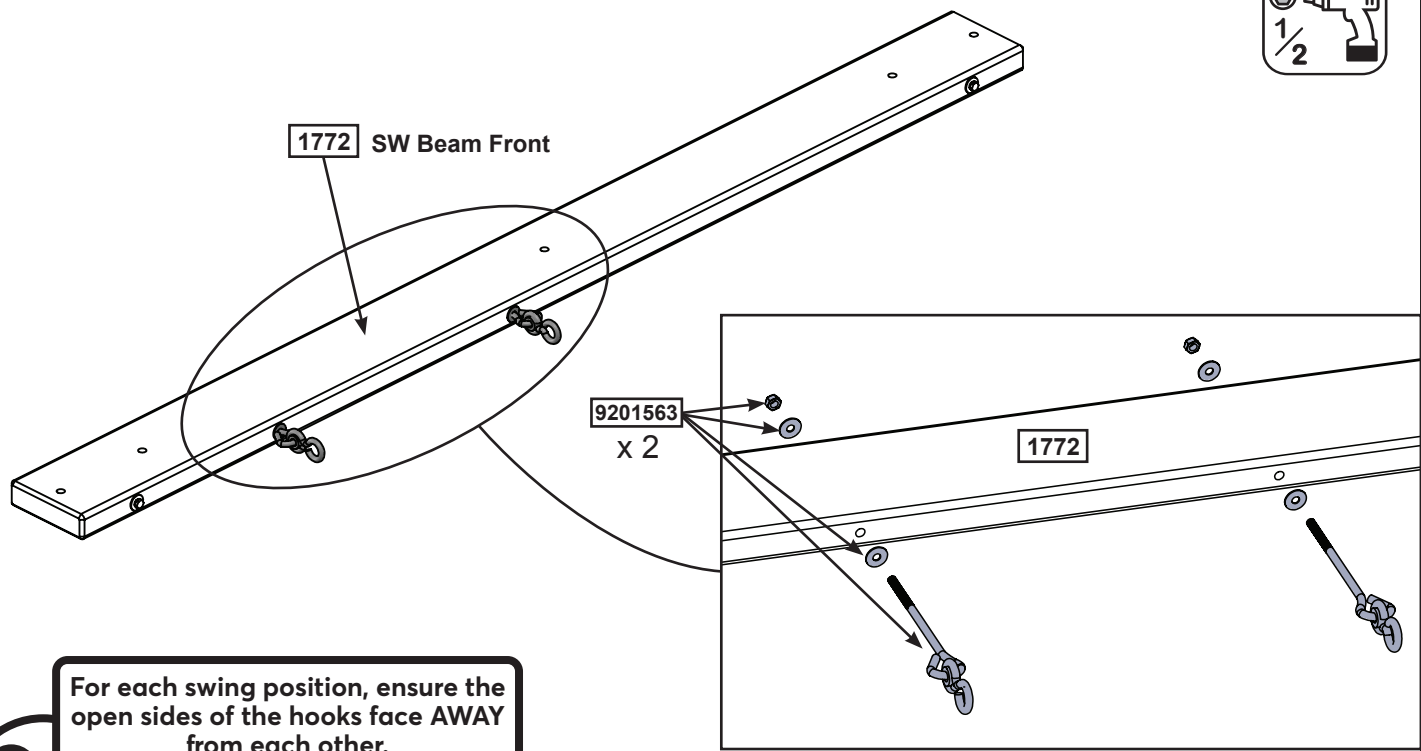
Hardware

2 x H7 6.4 x 140 mm (1/4 x 5-1/2") (FW1, LW1, TN1)

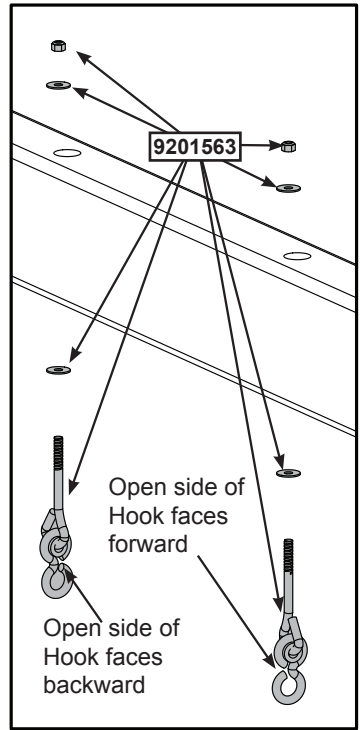
europcustomerservice@kidkraft.com
 +31 20 305 8620
 M-F from 09:00 to 17:30 (GMT+1)

parts.kidkraft.eu





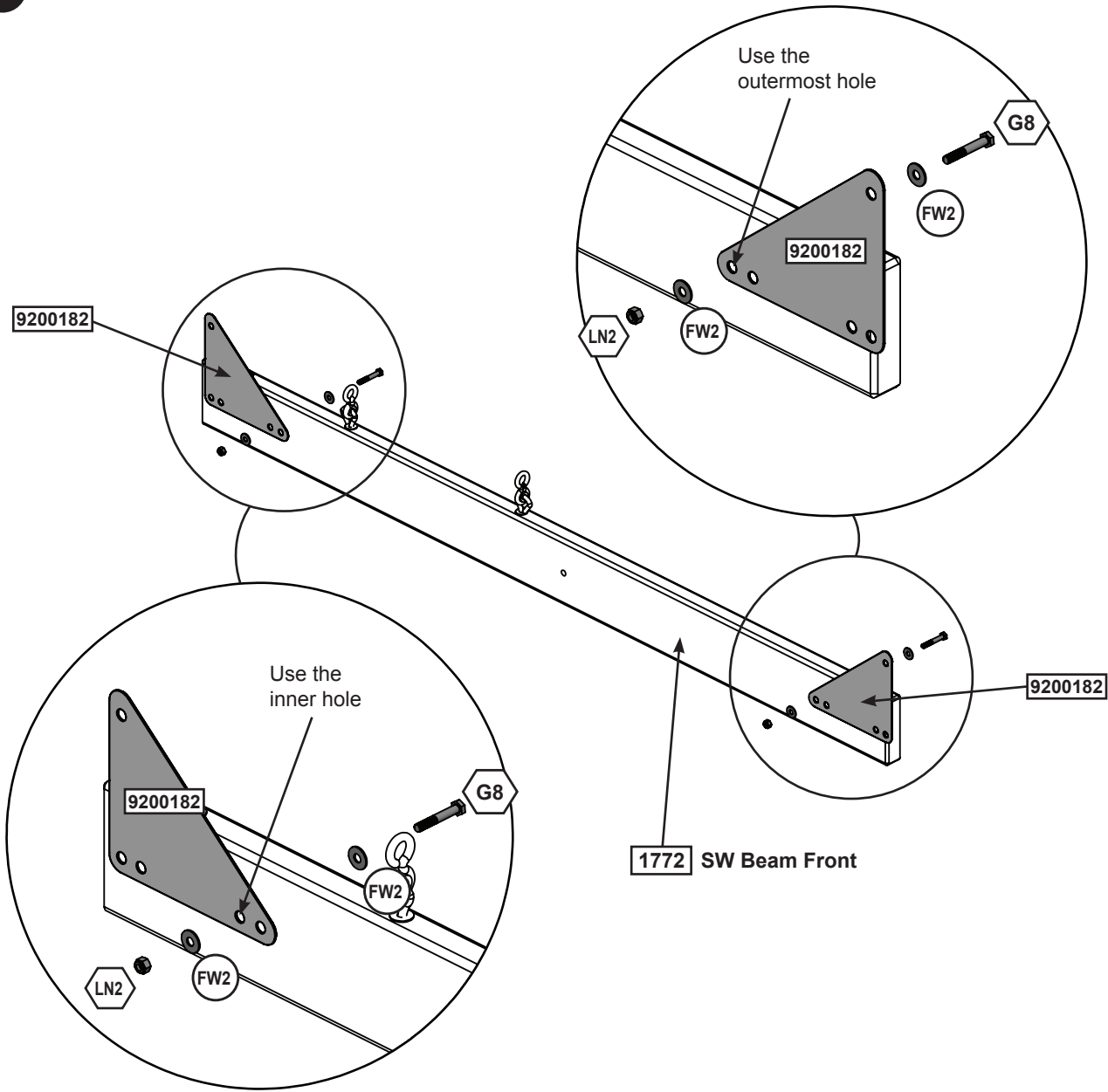
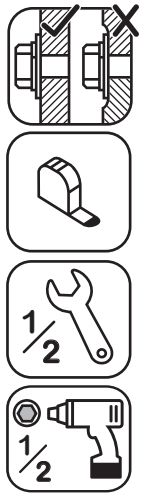
For each swing position, ensure the open sides of the hooks face AWAY from each other.



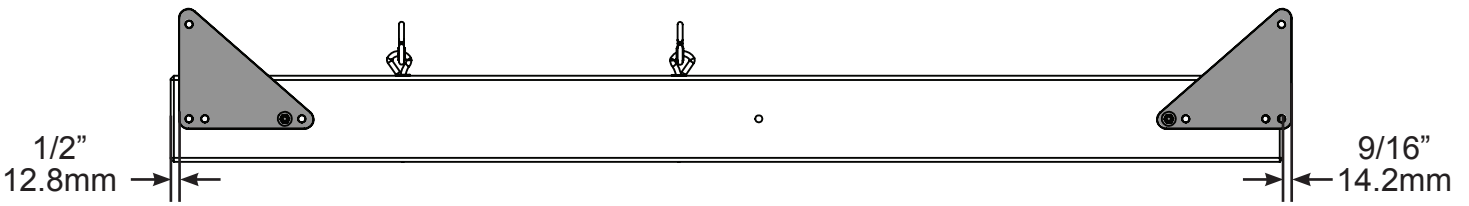
Make sure triangle is tight against beam

⚠ WARNING: For your child's safety, orientate the swing hangers as shown to ensure your swing will have proper swing motion when installed. Failure to do so could result in premature failure of the swing hanger or swing chain.

Other Parts
2 x 9201563



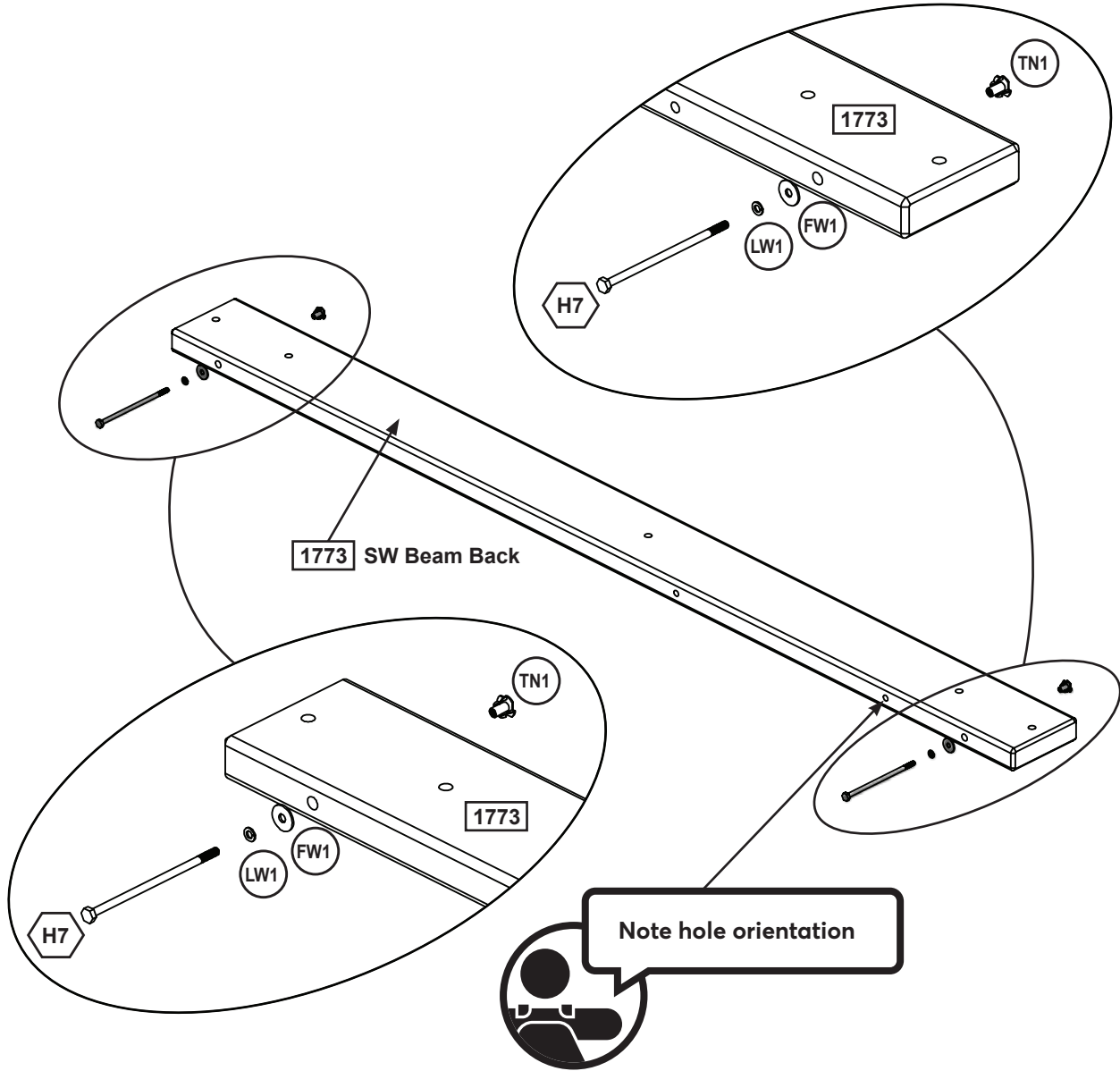
FRONT VIEW



Hardware
 2 x 7.9 x 50.8 mm (5/16 x 2") (FW2 x 2, LN2)

Other Parts
 2 x



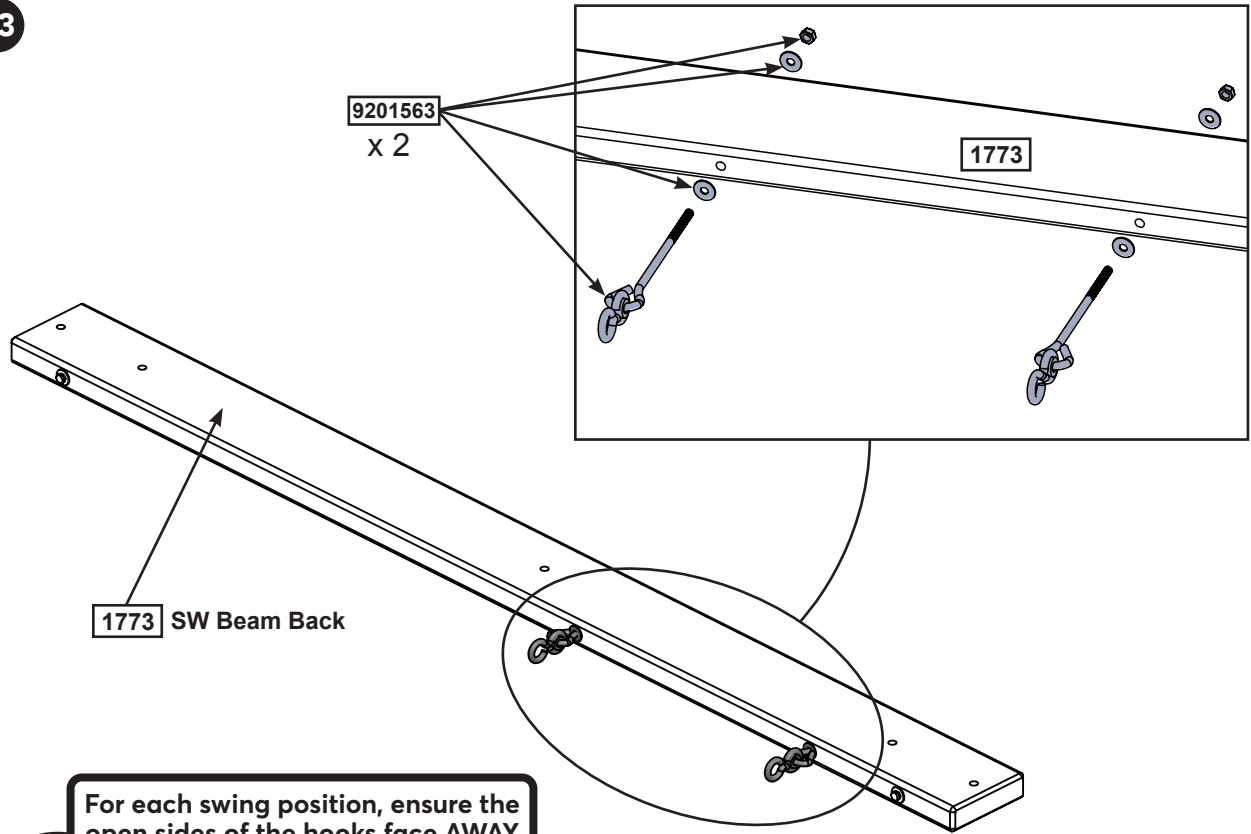


Wood Parts

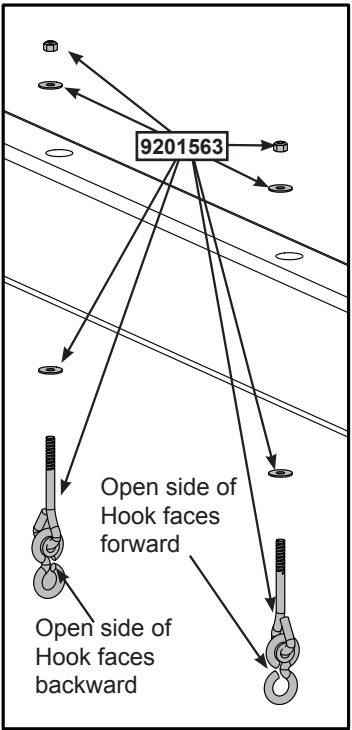
1 x **1773** 38.1 mm x 136.5 mm x 1765.3 mm (1 1/2" x 5 3/8" x 69 1/2")

Hardware

2 x **H7** 6.4 x 140 mm (1/4 x 5-1/2") (FW1, LW1, TN1)



For each swing position, ensure the open sides of the hooks face AWAY from each other.



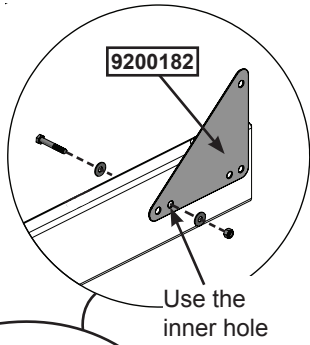
Make sure triangle is tight against beam

⚠ WARNING: For your child's safety, orientate the swing hangers as shown to ensure your swing will have proper swing motion when installed. Failure to do so could result in premature failure of the swing hanger or swing chain.

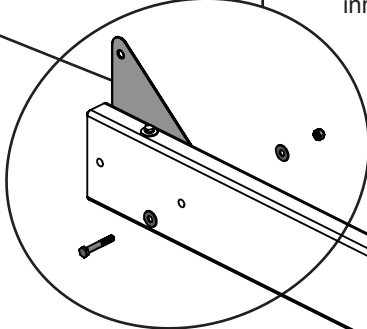
Other Parts
2 x 9201563



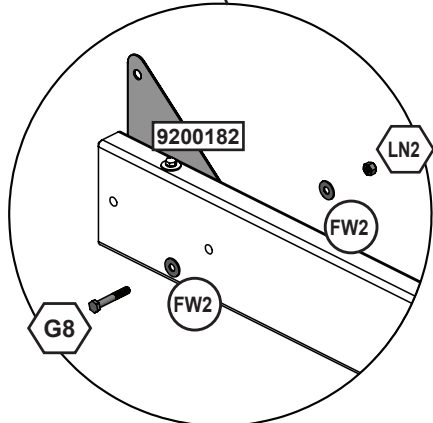
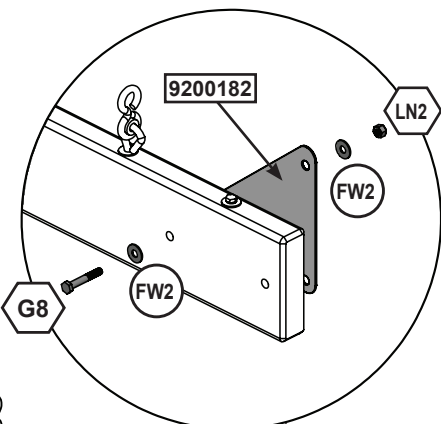
Rotated View



9200182

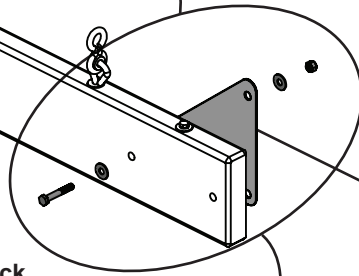


9200182

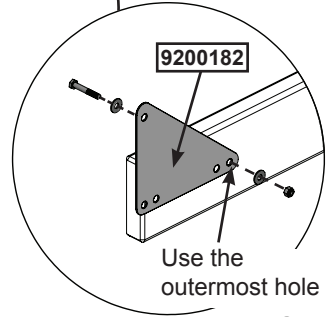


1773 SW Beam Back

9200182



Rotated View



Use the outermost hole

1/2"
12.8mm

FRONT VIEW

9/16"
14.2mm

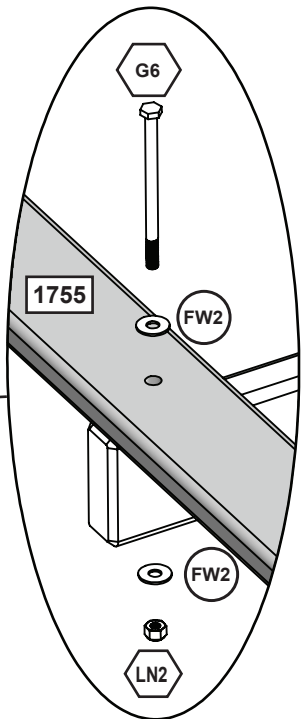
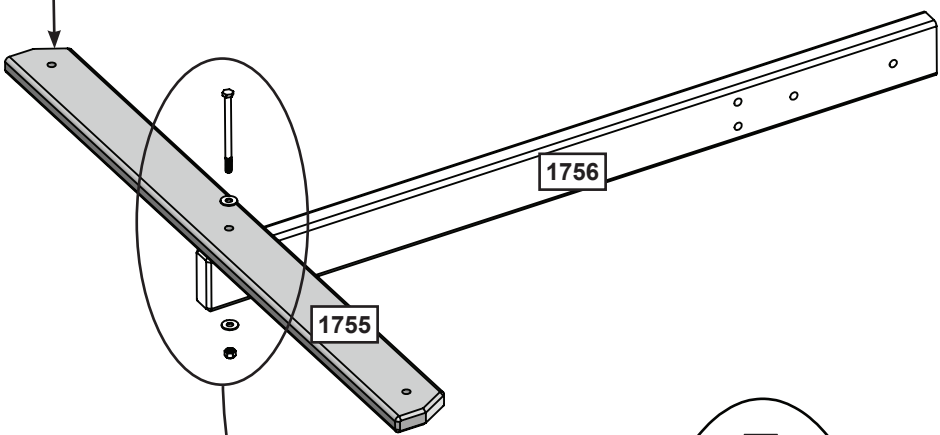
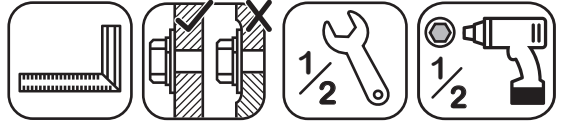
Hardware

2 x G8 7.9 x 50.8 mm (5/16 x 2") (FW2 x 2, LN2)

Other Parts

2 x 9200182

Note the angled cut
Make sure the assembly is square.



Wood Parts

- 1 x 25.4 mm x 88.9 mm x 1028.7 mm (1" x 3 1/2" x 40 1/2")
- 1 x 34.9 mm x 85.7 mm x 1117.6 mm (1 3/8" x 3 3/8" x 44")

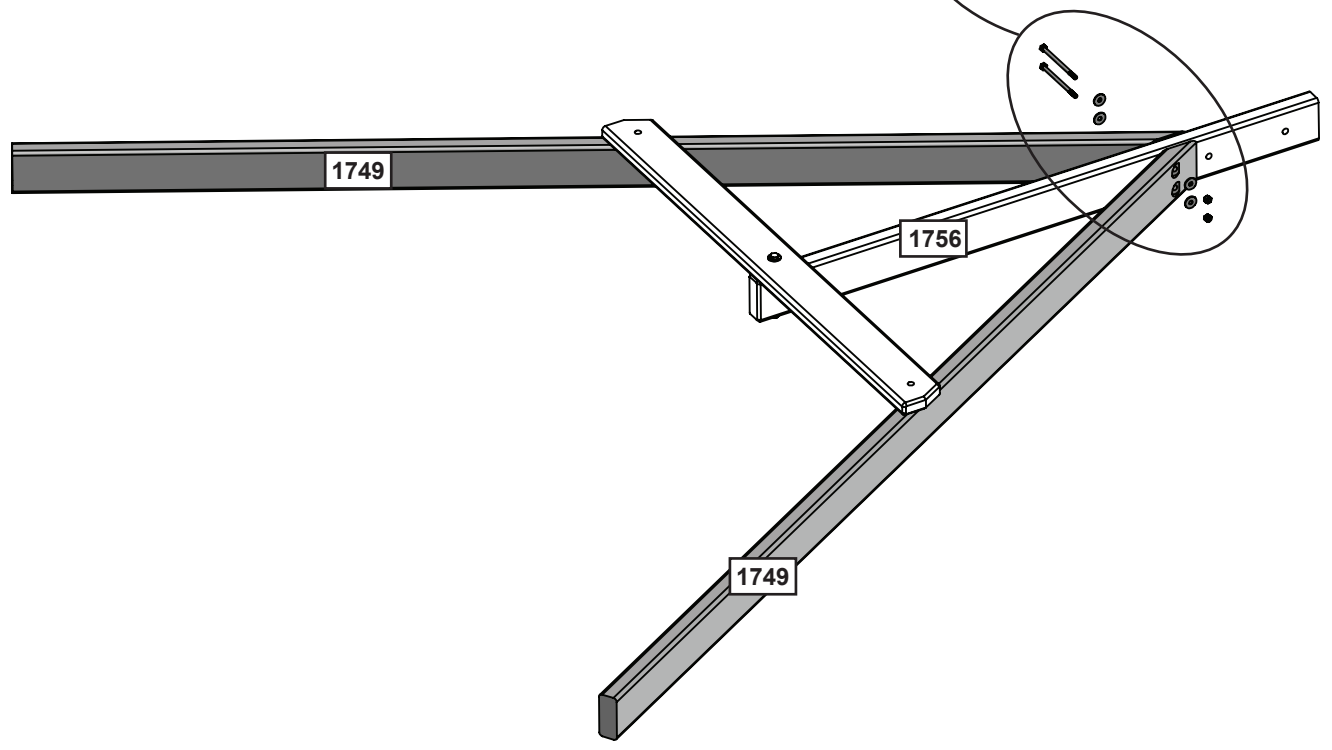
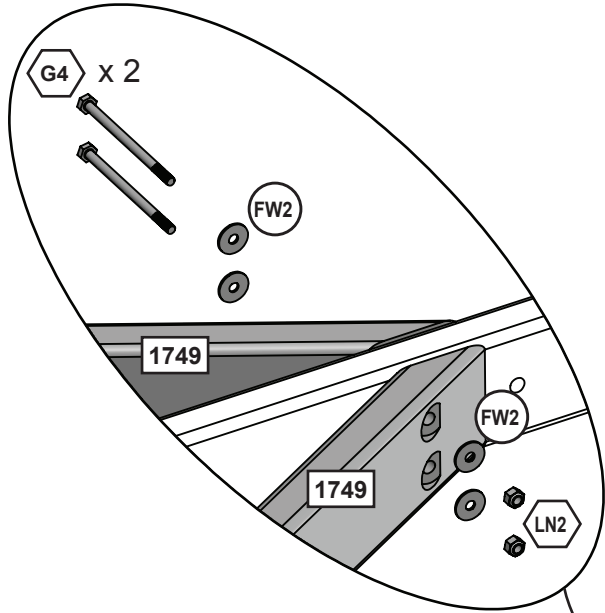
Hardware

- 1 x 7.9 x 120.7 mm (5/16 x 4-3/4") (FW2 x 2, LN2)



56

Do not tighten bolts until next step.



Wood Parts

2 x 34.9 mm x 85.7 mm x 2019.3 mm (1 3/8" x 3 3/8" x 79 1/2")

Hardware

2 x 7.9 x 101.6 mm (5/16 x 4") (FW2 x 2, LN2)

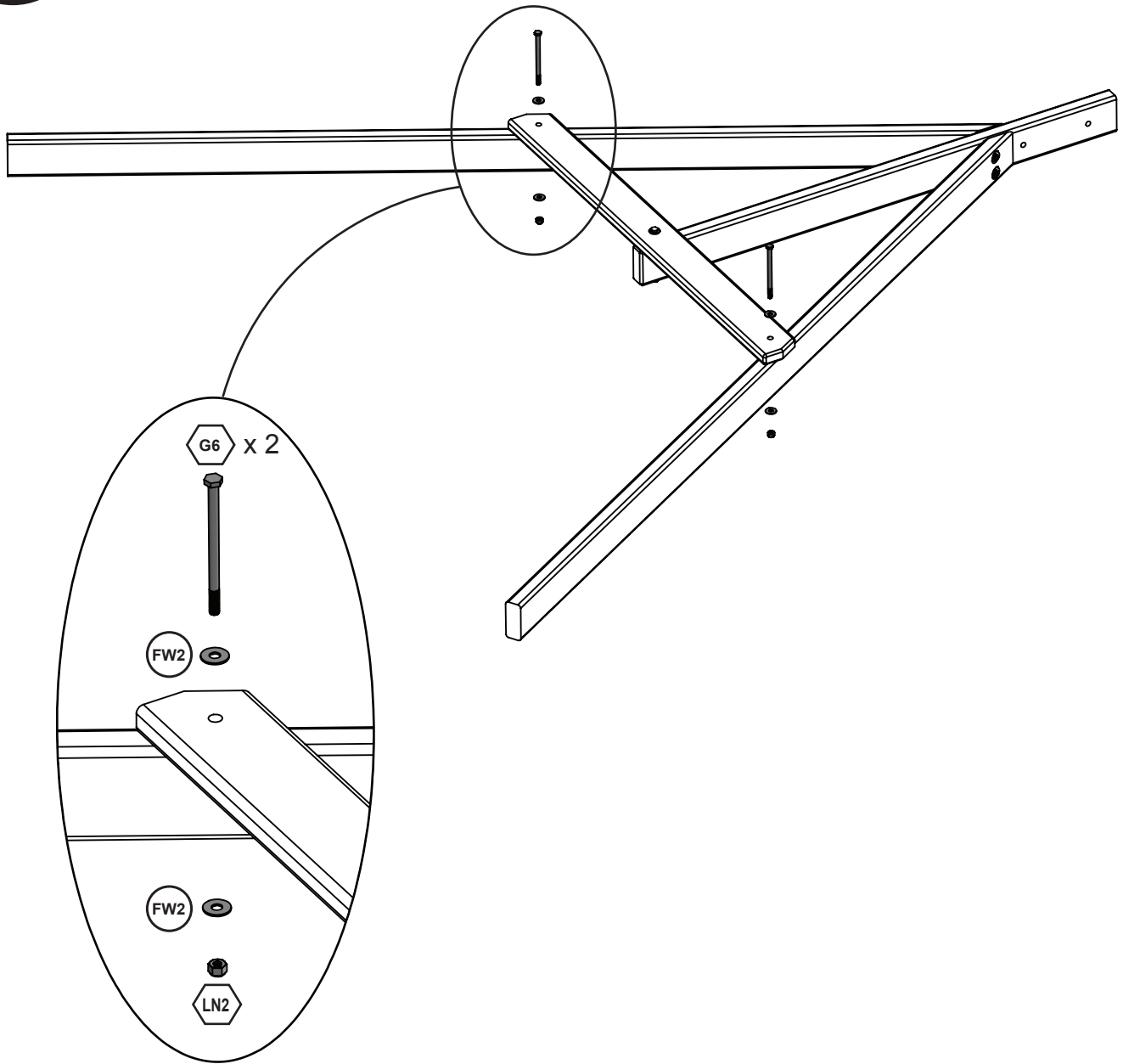
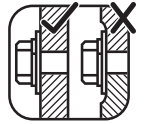
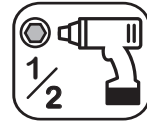


parts.kidkraft.com

customerservice@kidkraft.com
1.800.933.0771
972.385.0100

57

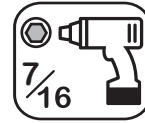
Tighten all bolts.



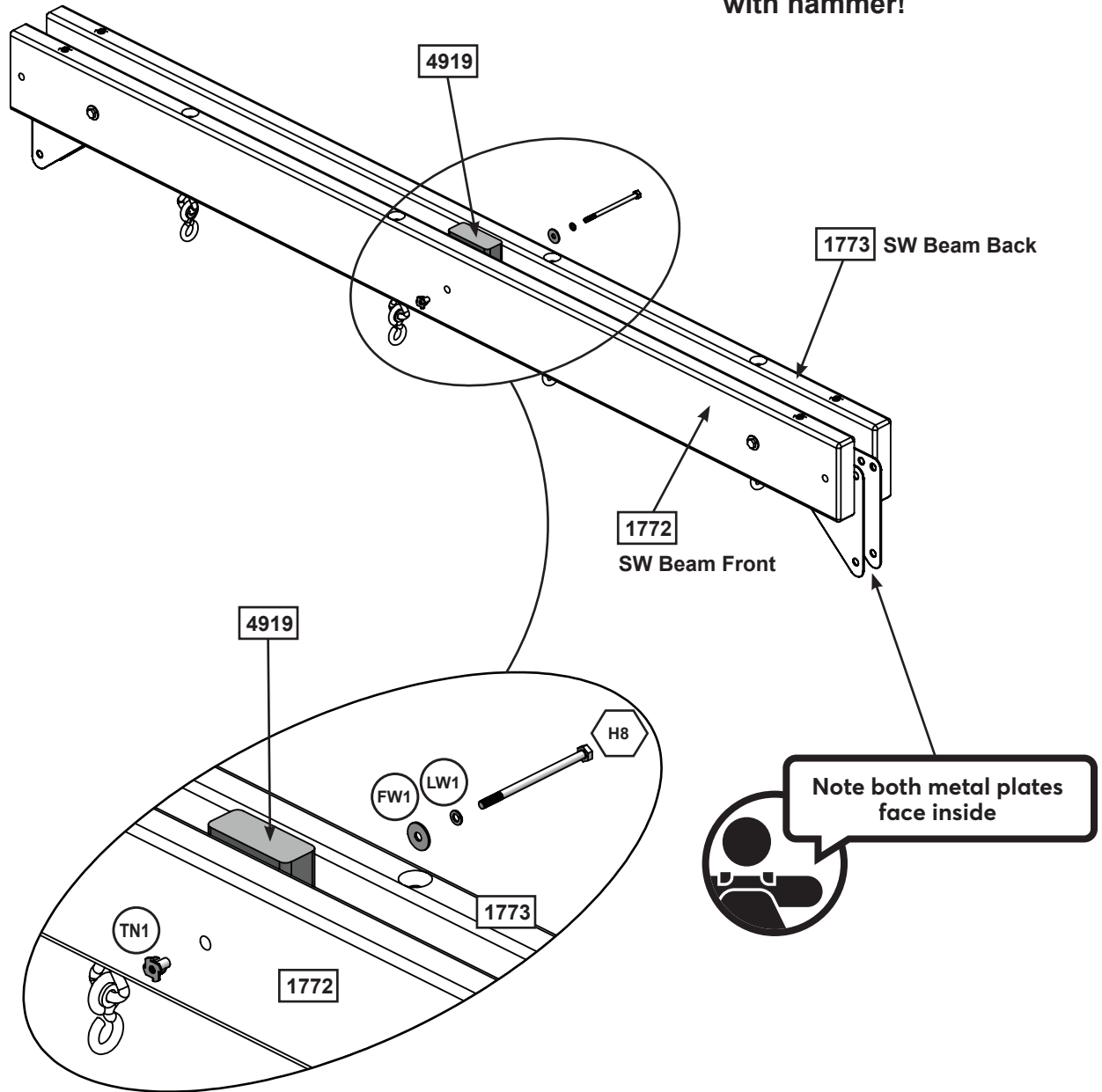
Hardware

2 x  7.9 x 120.7 mm (5/16 x 4-3/4") (FW2 x 2, LN2)





Assemble T-Nuts first with hammer!

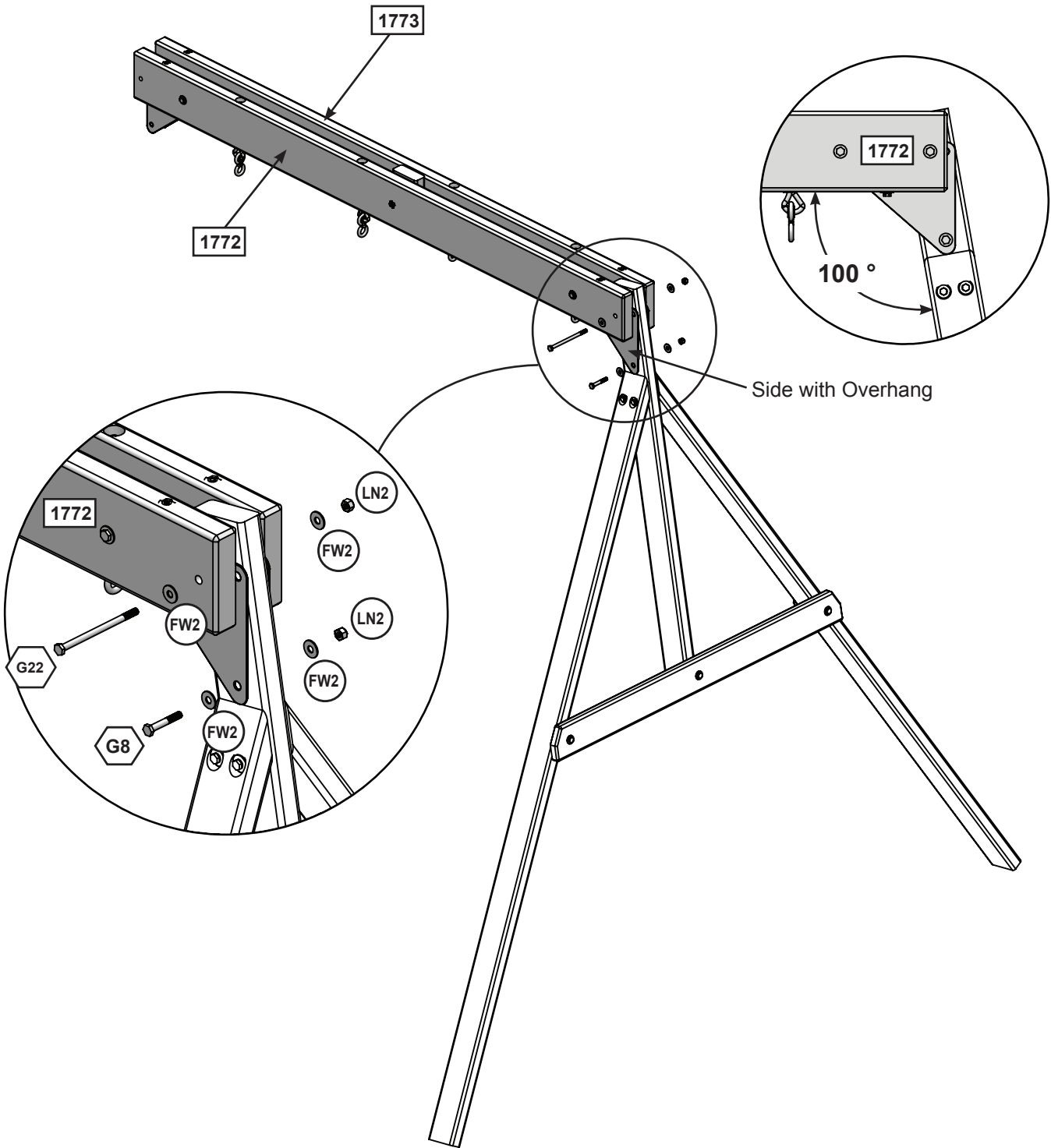
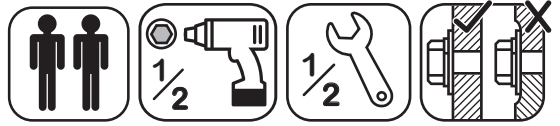


Wood Parts

1 x 4919 34.9 mm x 85.7 mm x 136.5 mm (1 3/8" x 3 3/8" x 5 3/8")

Hardware

1 x H8 6.4 x 108 mm (1/4 x 4-1/4") (LW1, FW1, TN1)



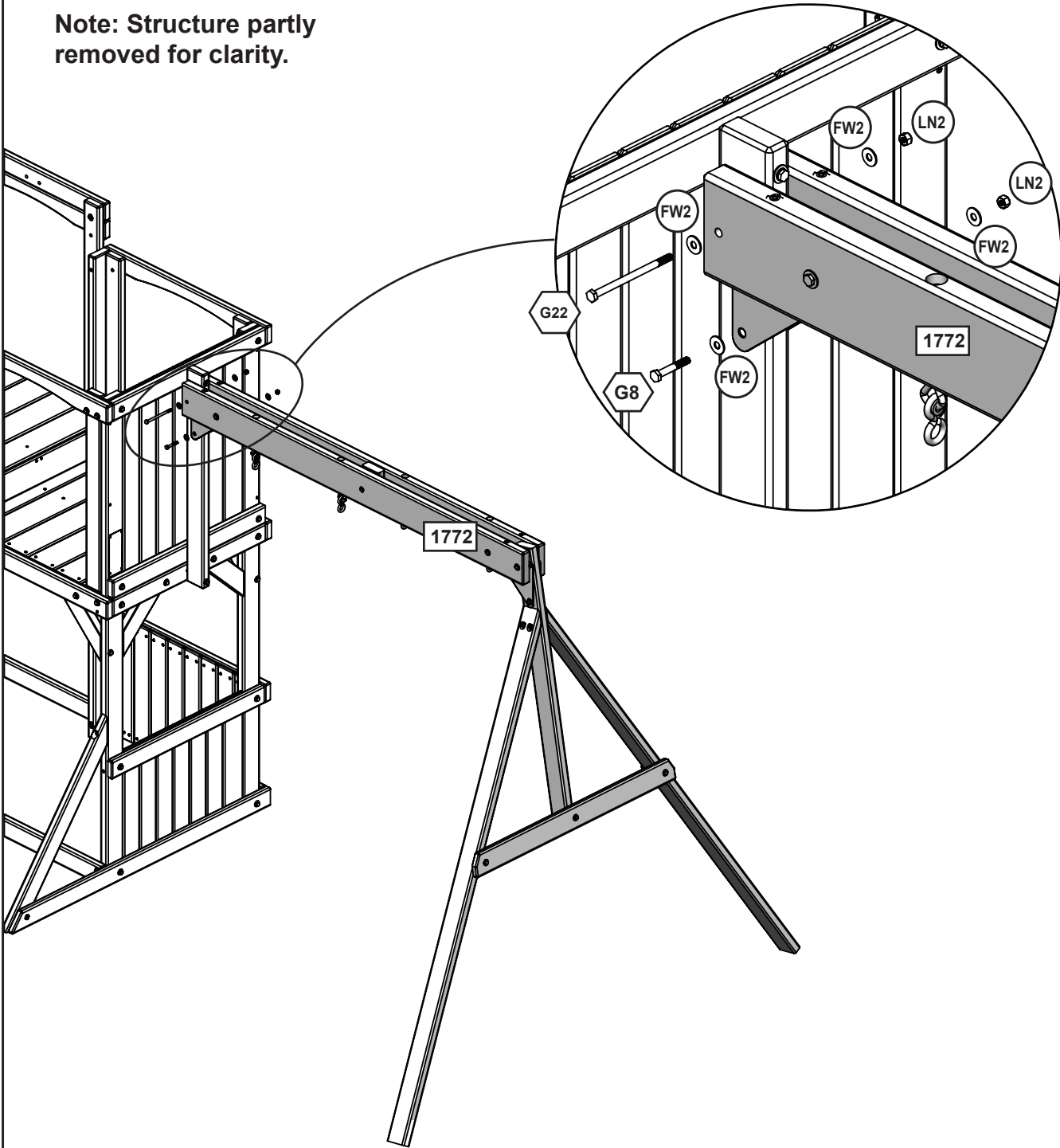
Hardware

- 1 x 7.9 x 50.8 mm (5/16 x 2") (FW2 x 2, LN2)
- 1 x 7.9 x 127 mm (5/16 x 5") (FW2 x 2, LN2)






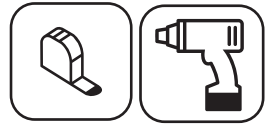
Note: Structure partly removed for clarity.



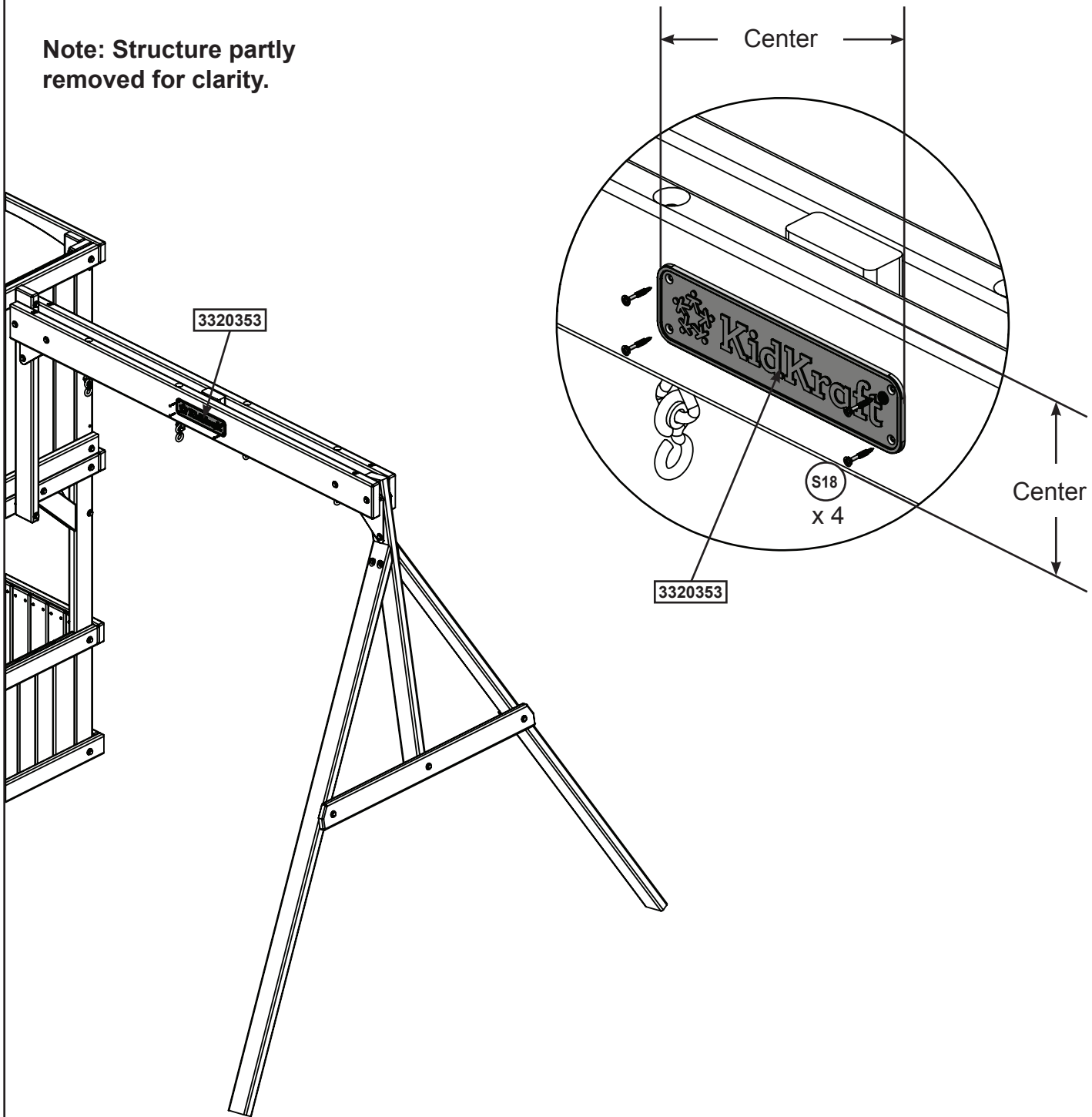
Hardware

1 x  7.9 x 50.8 mm (5/16 x 2") (FW2 x 2, LN2)

1 x  7.9 x 127 mm (5/16 x 5") (FW2 x 2, LN2)



Note: Structure partly removed for clarity.



Hardware

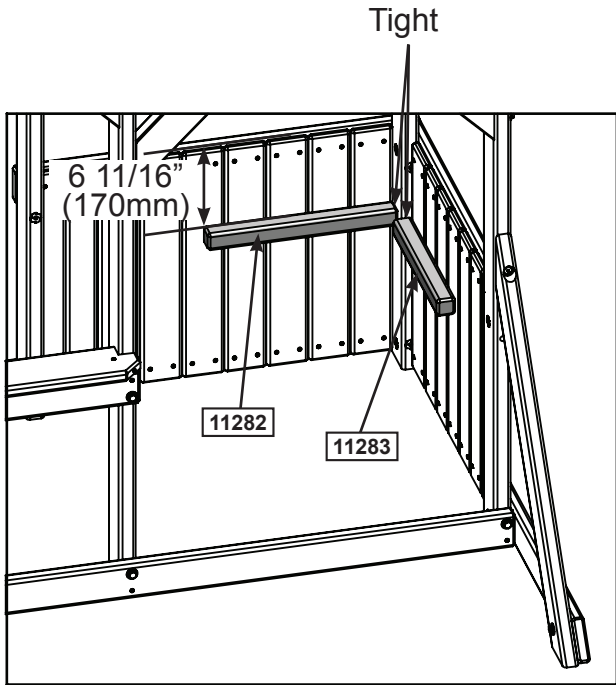
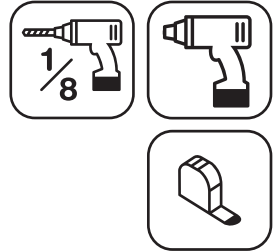
4 x #6 x 25.4 mm (#6 x 1")

Other Parts

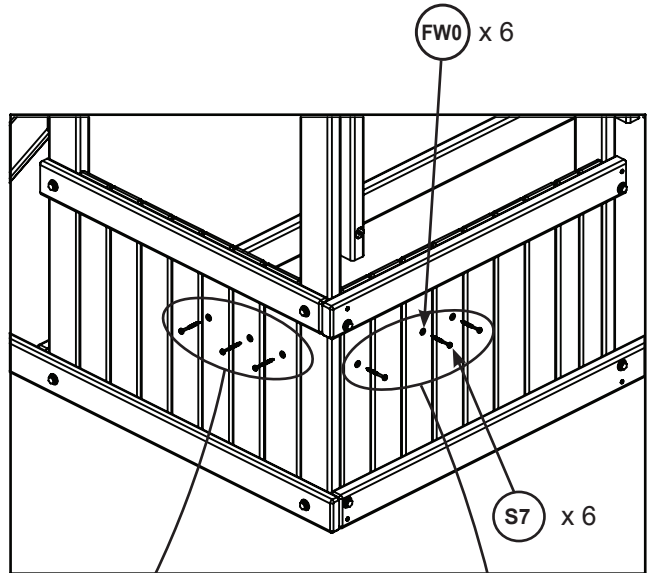
1 x



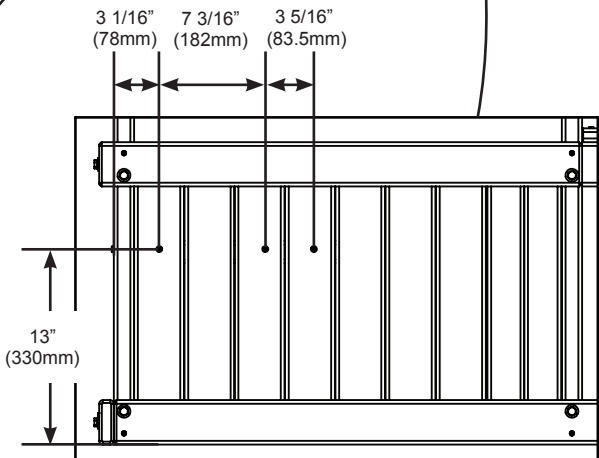
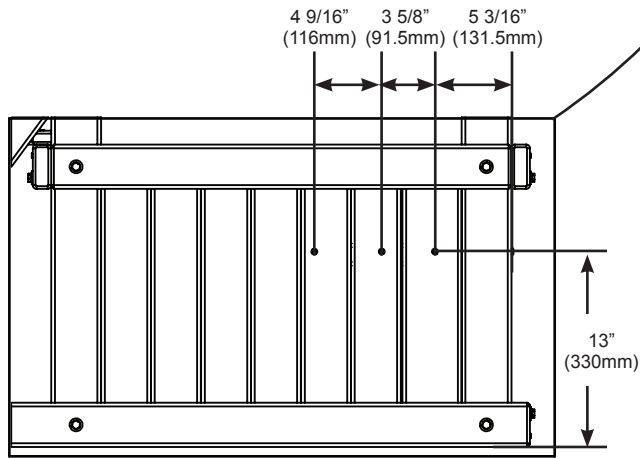
Note: Structure partly removed for clarity.
Pre-drill holes using a 1/8" drill bit.



Inside View



Outside View



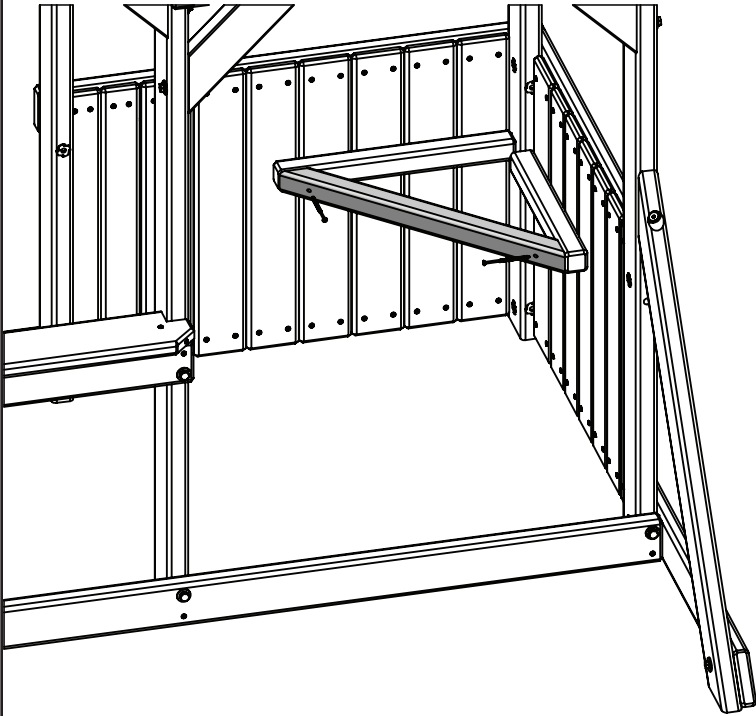
Wood Parts

- 1 x 11282 38.1 mm x 38.1 mm x 390 mm (1 1/2" x 1 1/2" x 15 3/8")
- 1 x 11283 38.1 mm x 38.1 mm x 338 mm (1 1/2" x 1 1/2" x 13 5/16")

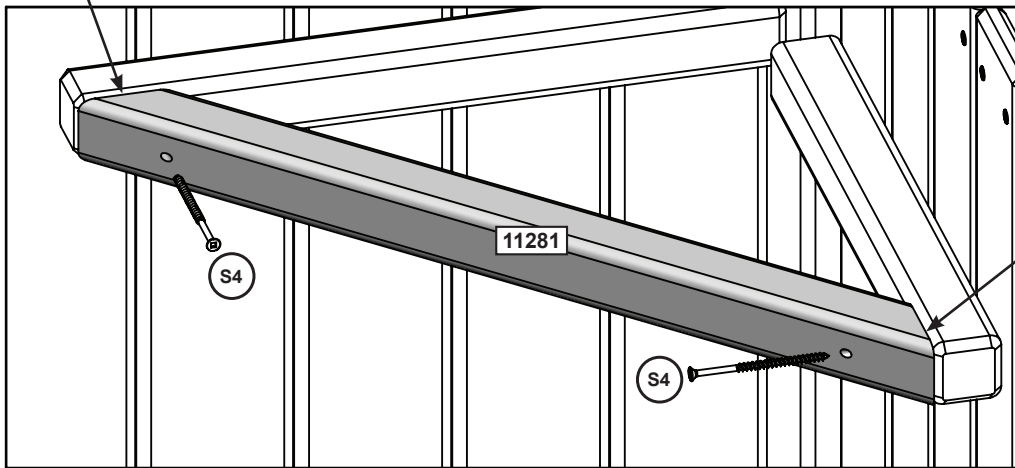
Hardware

- 6 x S7 #12 x 50.8 mm (#12 x 2") (FW0)

Note: Structure partly removed for clarity.



Flush



Flush

Wood Parts

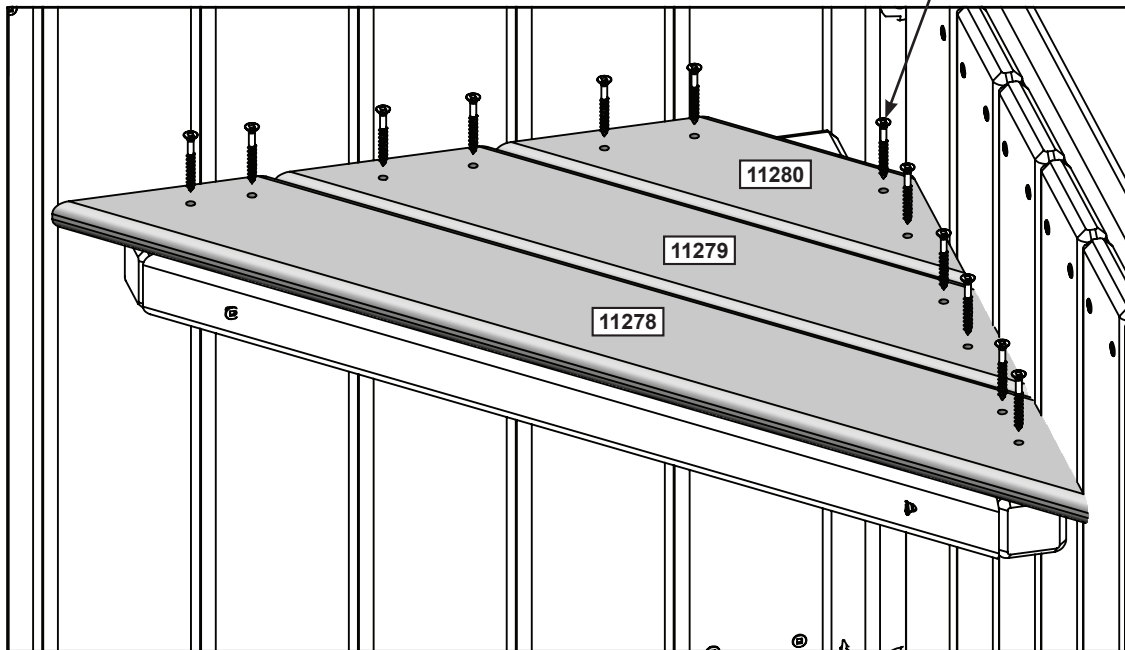
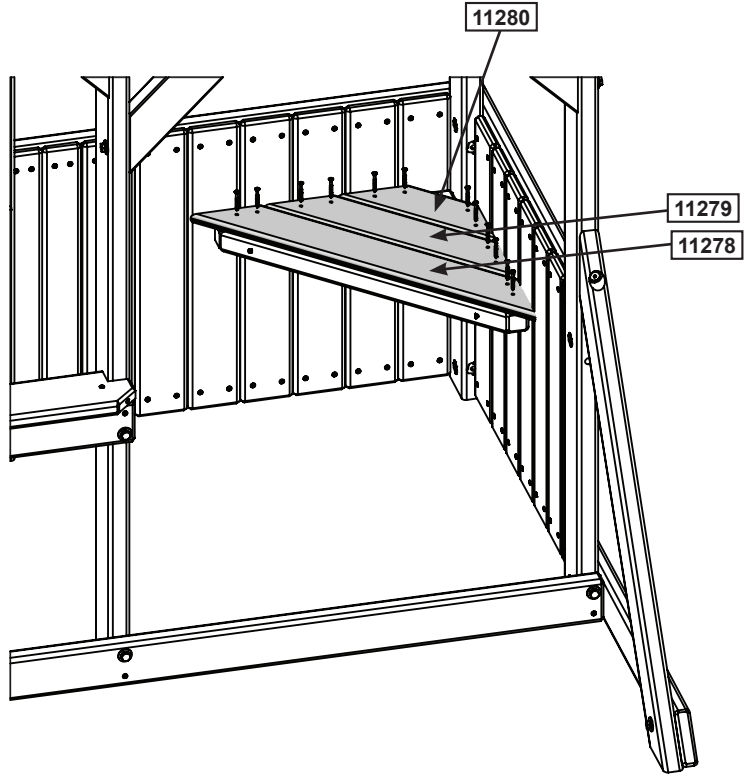
1 x **11281** 38.1 mm x 38.1 mm x 523 mm (1 1/2" x 1 1/2" x 20 9/16")

Hardware

2 x **S4** #8 x 76.2 mm (#8 x 3")



Note: Structure partly removed for clarity.



Wood Parts

- 1 x 11278 15.9 mm x 85.7 mm x 633 mm (5/8" x 3 3/8" x 24 15/16")
- 1 x 11279 15.9 mm x 85.7 mm x 462 mm (5/8" x 3 3/8" x 18 3/16")
- 1 x 11280 15.9 mm x 85.7 mm x 290 mm (5/8" x 3 3/8" x 11 7/16")

Hardware

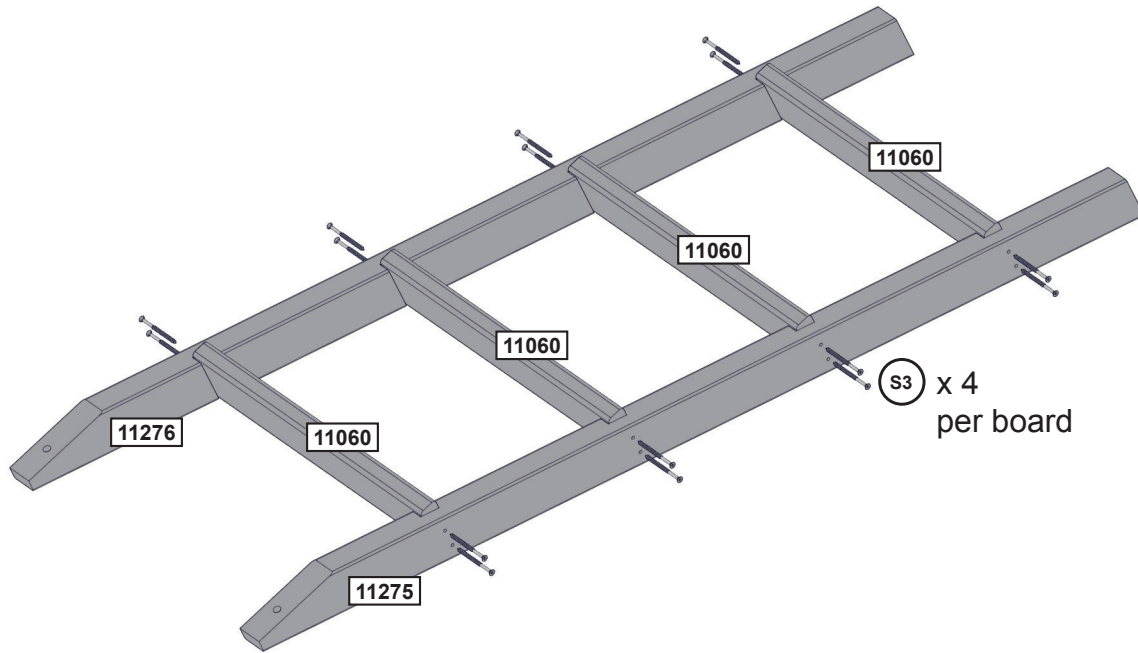
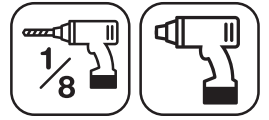
- 12 x S20 #8 x 34.9 mm (#8 x 1-3/8")



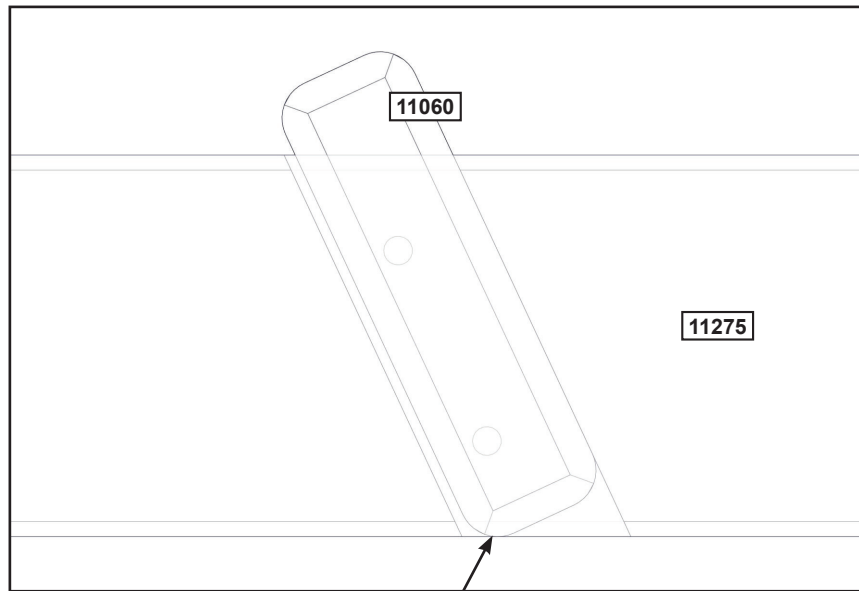
parts.kidkraft.com

customerservice@kidkraft.com
1.800.933.0771
972.385.0100

Pre-drill holes using a 1/8" drill bit.



End View



Flush to edges

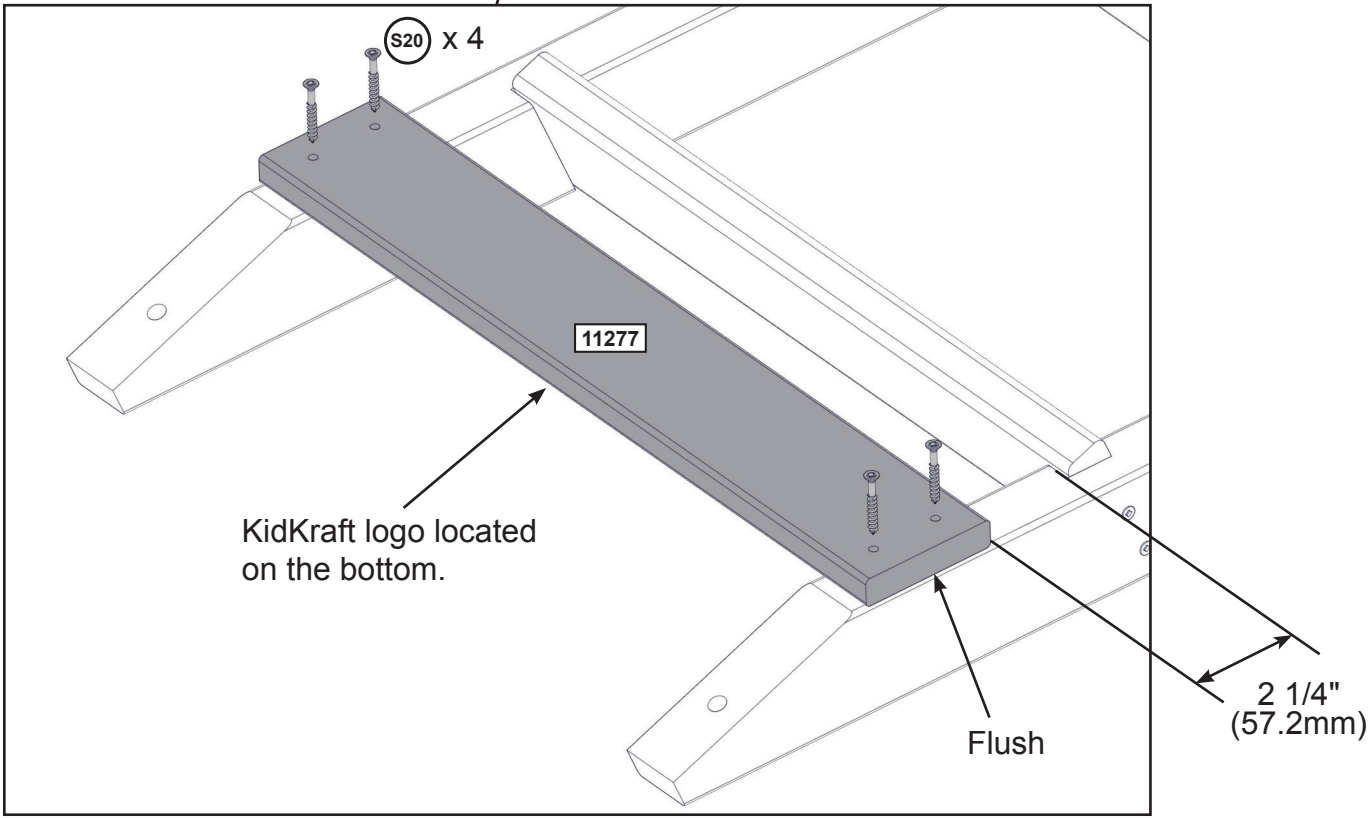
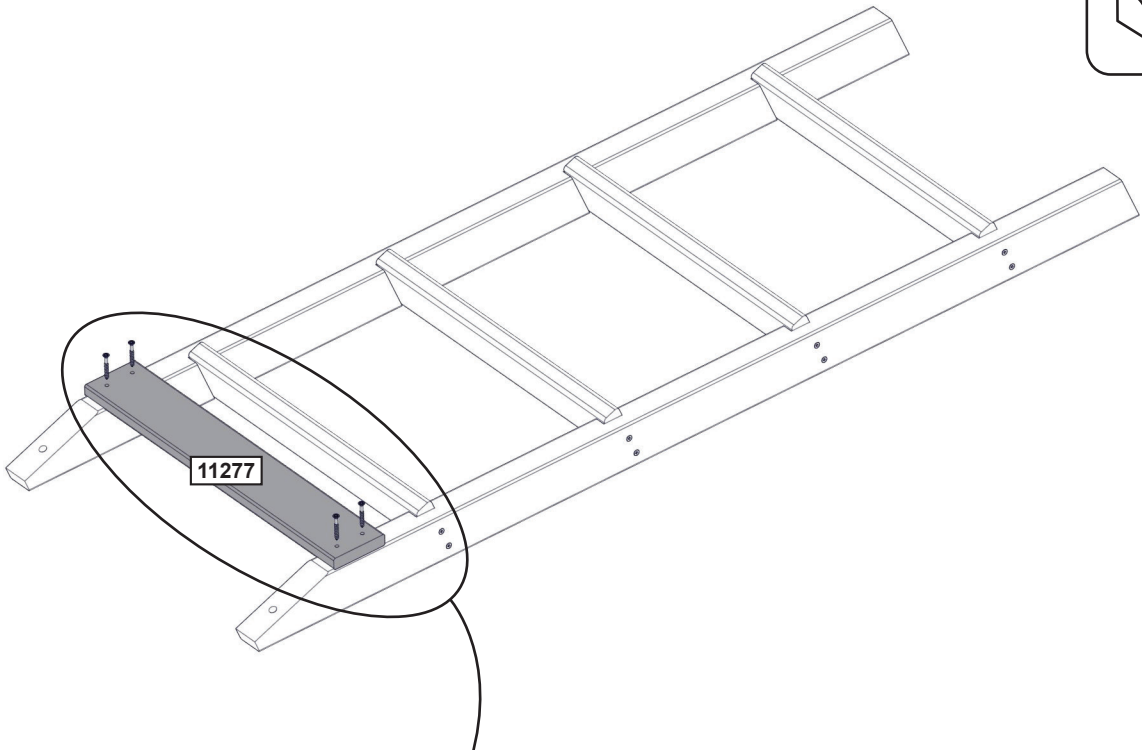
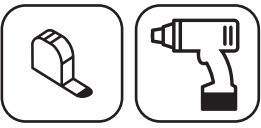
Wood Parts

- 1 x **11275** 34.9 mm x 63.5 mm x 1307.3 mm (1 3/8" x 2 1/2" x 51 1/2")
- 1 x **11276** 34.9 mm x 63.5 mm x 1307.3 mm (1 3/8" x 2 1/2" x 51 1/2")
- 4 x **11060** 23.8 mm x 76.2 mm x 418 mm (15/16" x 3" x 16 7/16")

Hardware

- 16 x **S3** #8 x 63.5mm (#8 x 2-1/2")





Wood Parts

1 x **11277** 15.9 mm x 76.2 mm x 456.5 mm (5/8" x 3" x 18")

Hardware

4 x **S20** #8 x 34.9 mm (#8 x 1-3/8")



parts.kidkraft.com

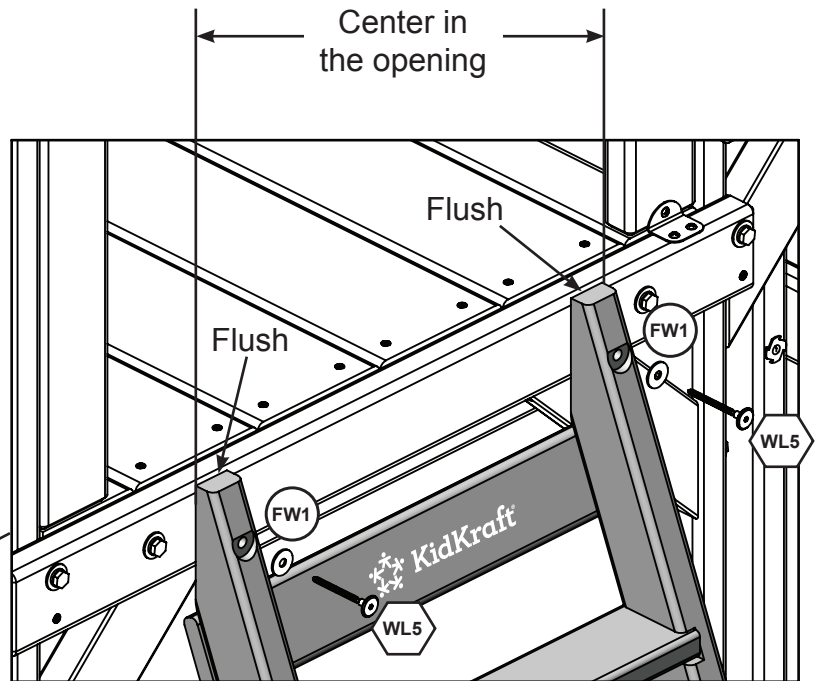
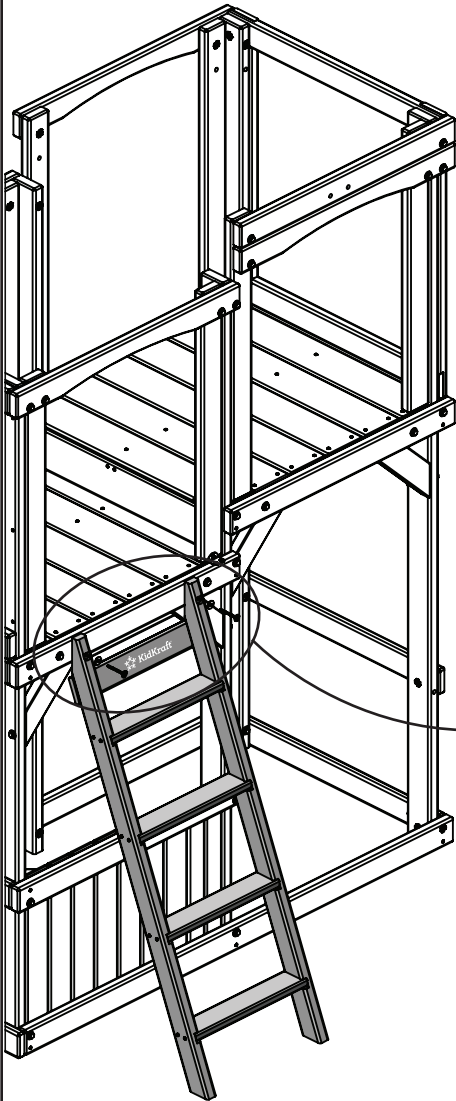
customerservice@kidkraft.com
1.800.933.0771
972.385.0100

67



Pre-drill each hole using a 1/8" drill bit for WL5.

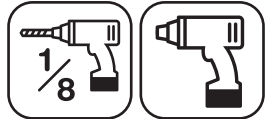
Note: Structure partly removed for clarity.



Hardware

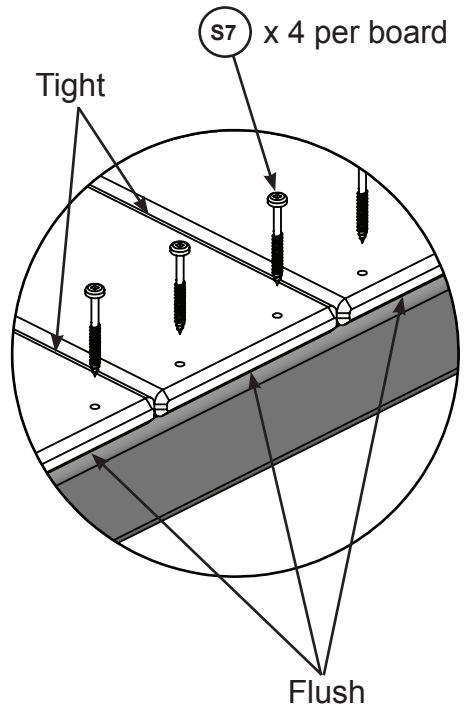
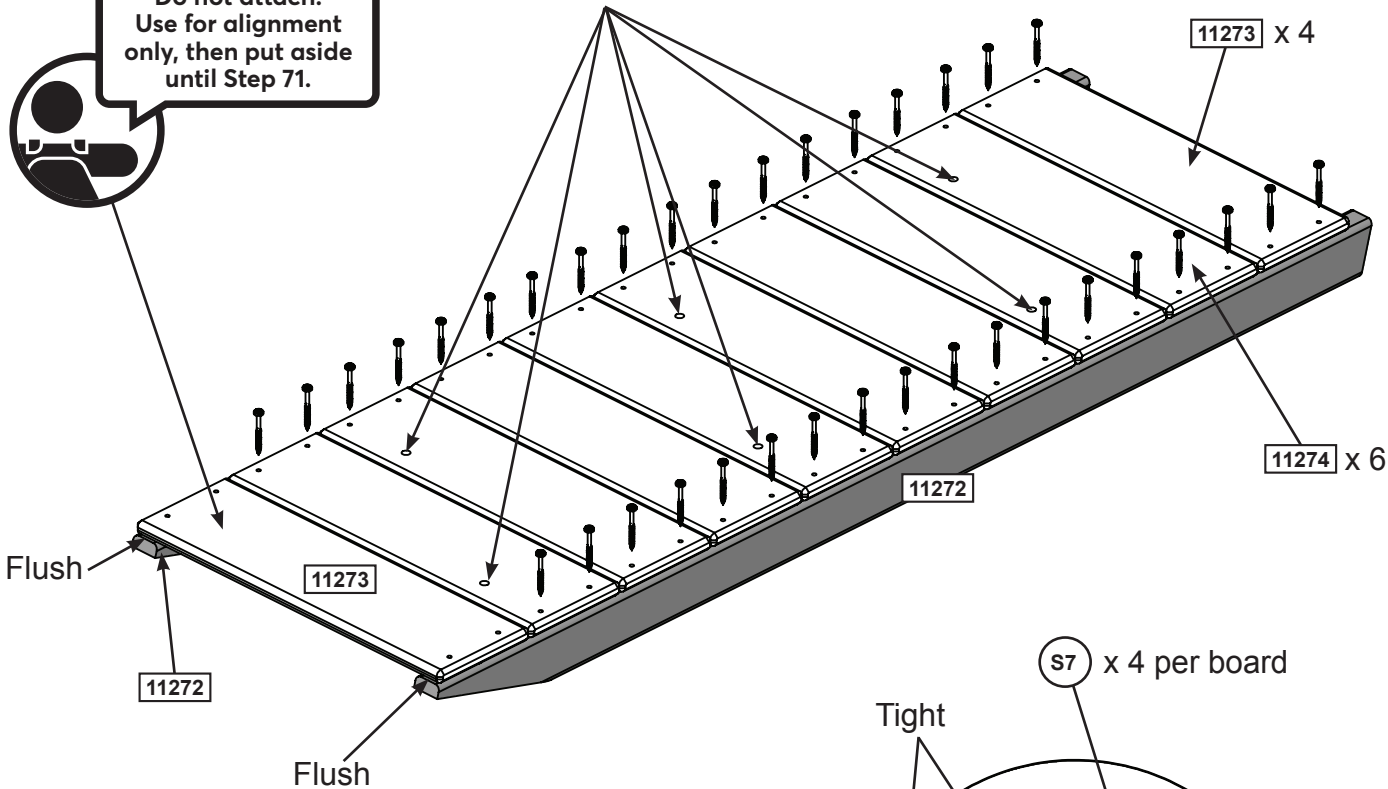
2 x  6.4 x 63.5 mm (1/4 x 2-1/2") (FW1)

Pre-drill S7 holes using a 1/8" drill bit.



IMPORTANT!
Follow hole pattern.

Do not attach!
Use for alignment
only, then put aside
until Step 71.



Wood Parts

- 2 x 11272 34.9 mm x 63.5 mm x 1400 mm (1 3/8" x 2 1/2" x 55 1/8")
- 4 x 11273 15.9 mm x 136.5 mm x 457 mm (5/8" x 5 3/8" x 18")
- 6 x 11274 15.9 mm x 136.5 mm x 457 mm (5/8" x 5 3/8" x 18")

Hardware

- 36x S7 #12 x 50.8 mm (#12 x 2")

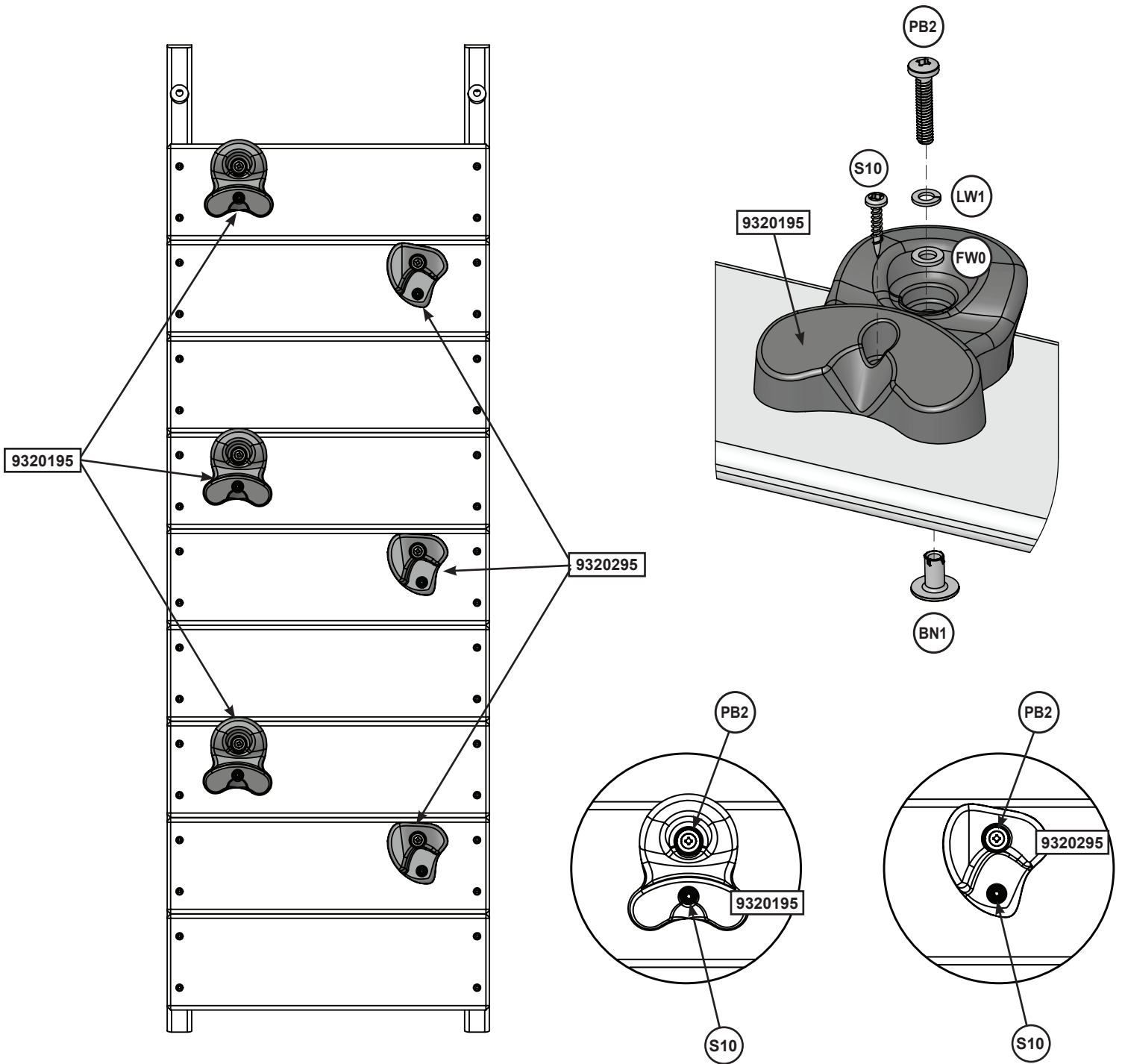


parts.kidkraft.com

customerservice@kidkraft.com
1.800.933.0771
972.385.0100

69

Note: Make sure all hardware is used to properly secure each rock.



Hardware

- 6 x **PB2** 7.9 x 32 mm (5/16 x 1-1/4") (FW0, LW1, BN1)
- 6 x **S10** #8 x 25.4 mm (#8 x 1")

Other Parts

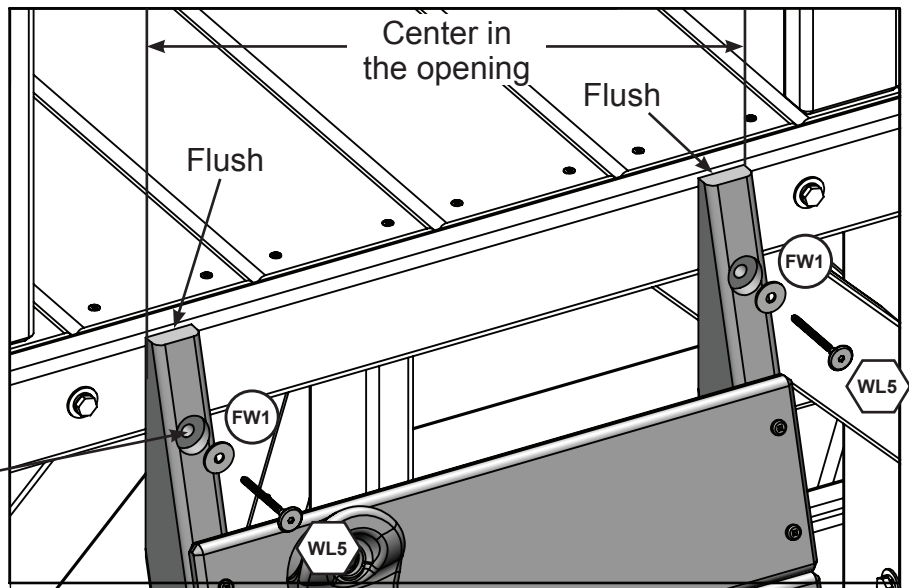
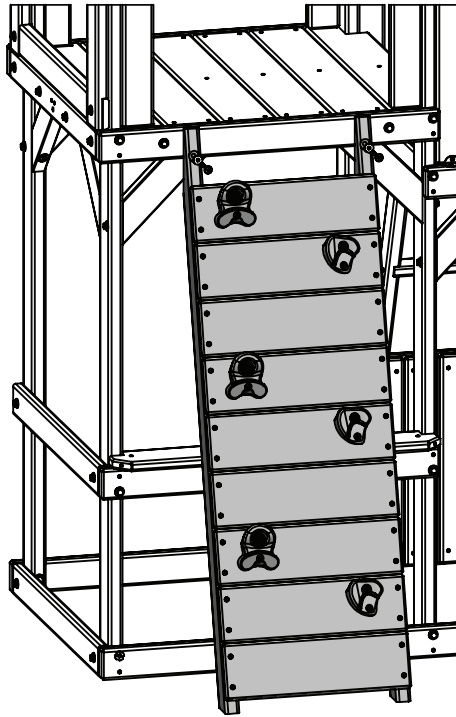
- 3 x **9320295**
- 3 x **9320195**

europecustomerservice@kidkraft.com
 +31 20 305 8620
 M-F from 09:00 to 17:30 (GMT+1)

parts.kidkraft.eu



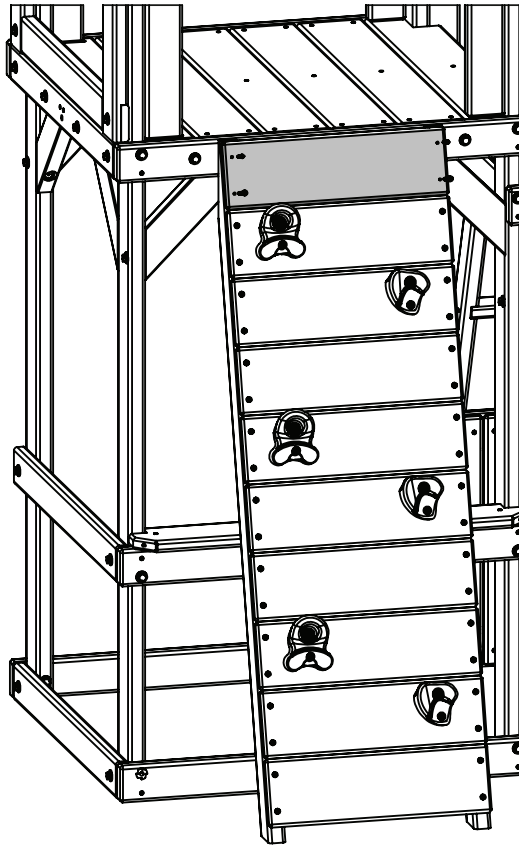
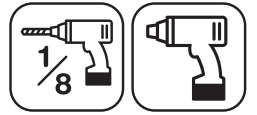
Note: Structure partly removed for clarity.



Pre-drill each hole using a 1/8" drill bit for WL5.

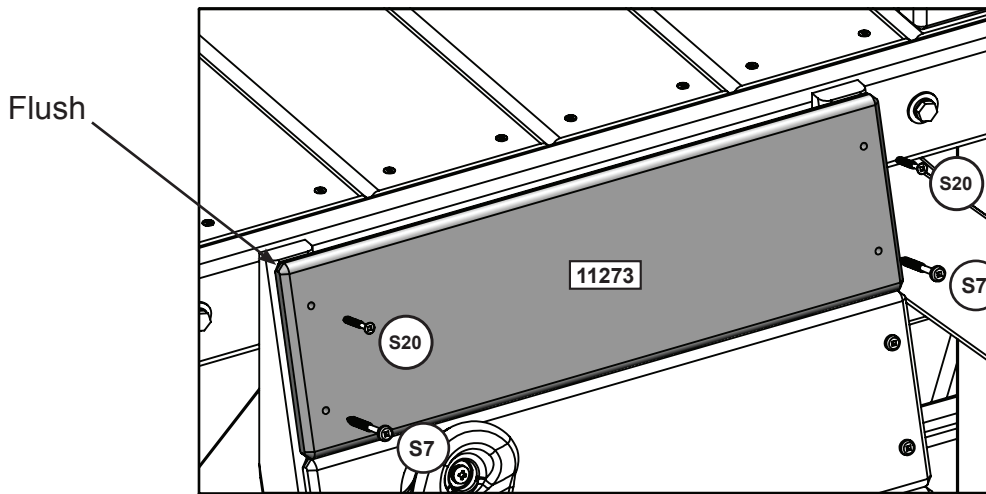
Hardware

2 x  6.4 x 63.5 mm (1/4 x 2-1/2") (FW1)



Note: Structure partly removed for clarity.

Pre-drill S7 holes using a 1/8" drill bit.



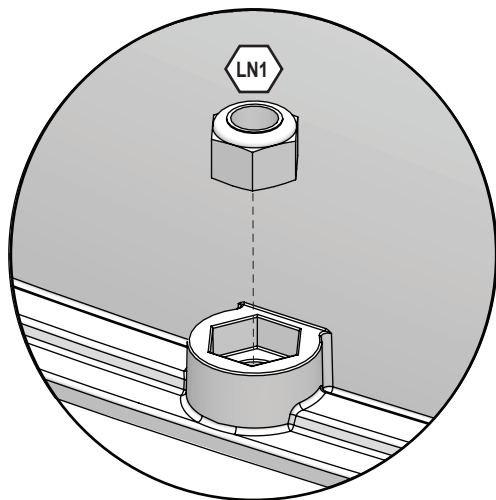
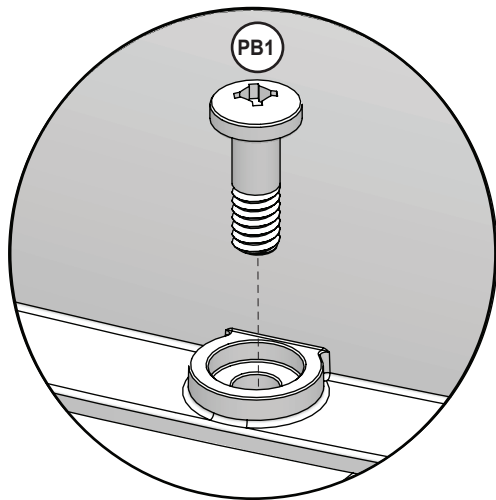
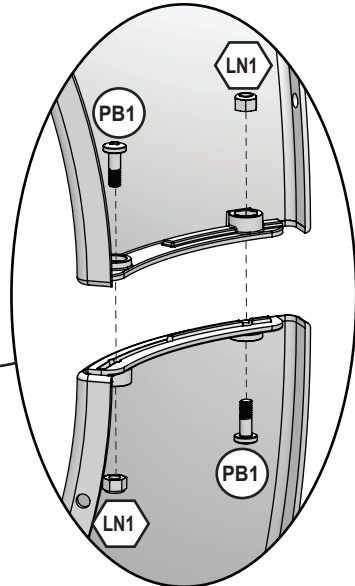
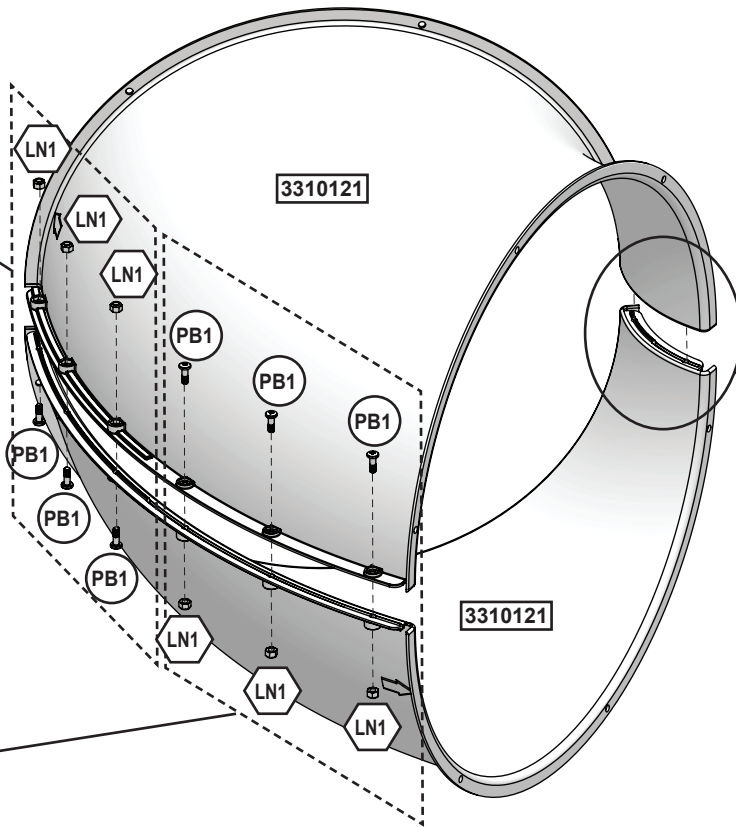
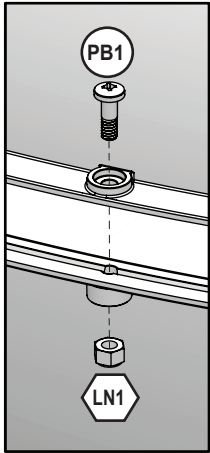
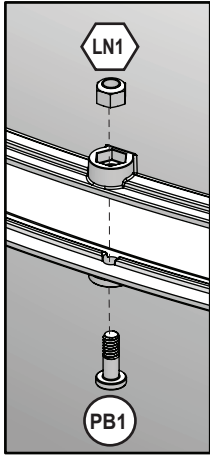
Hardware

2 x #8 x 34.9 mm (#8 x 1-3/8")

2 x #12 x 50.8 mm (#12 x 2")



Complete this step four times

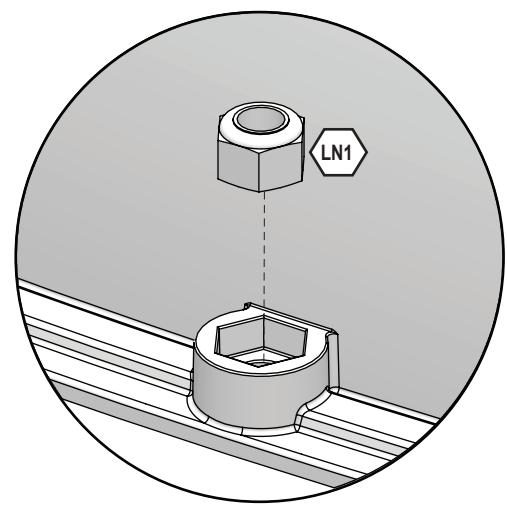
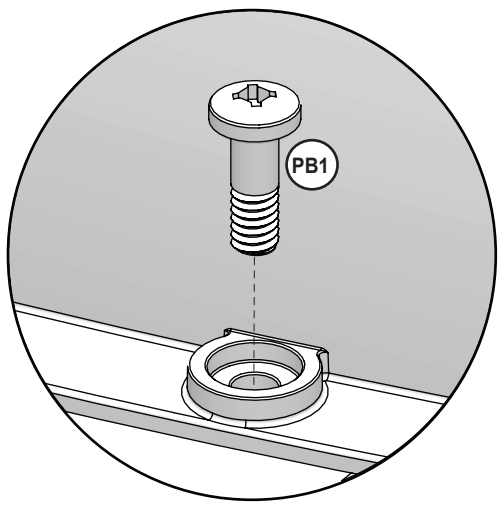
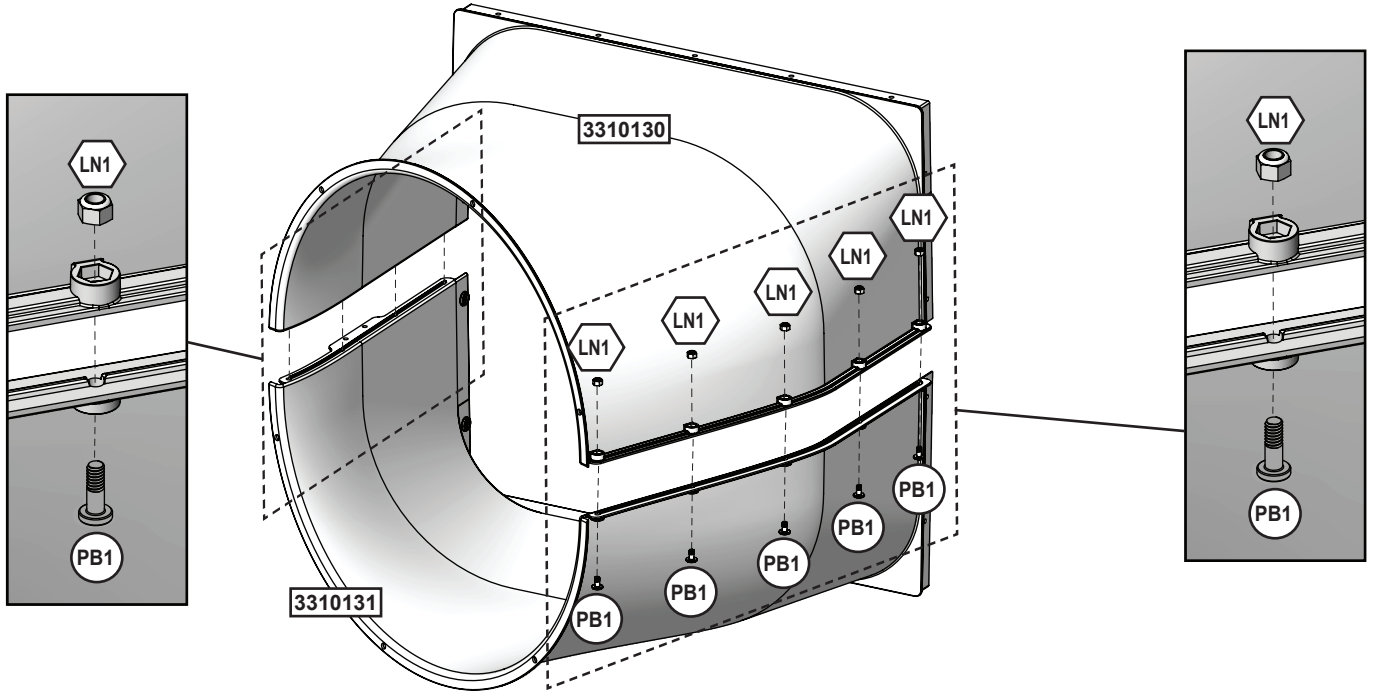


Hardware

32 x (PB1) 6.3 x 19 mm (1/4 x 3/4") (LN1)

Other Parts

8 x (3310121)



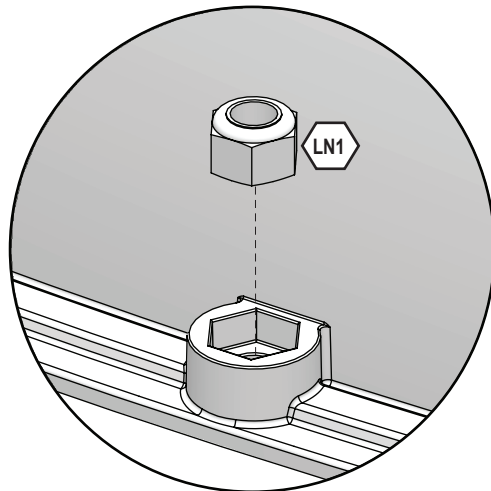
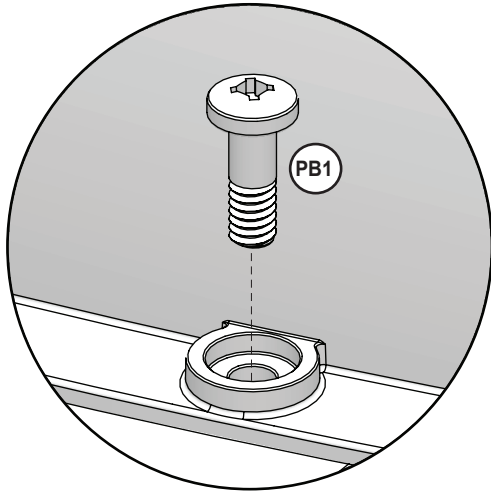
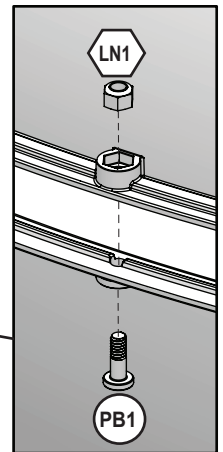
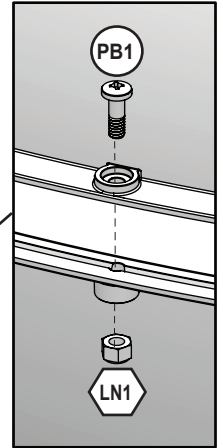
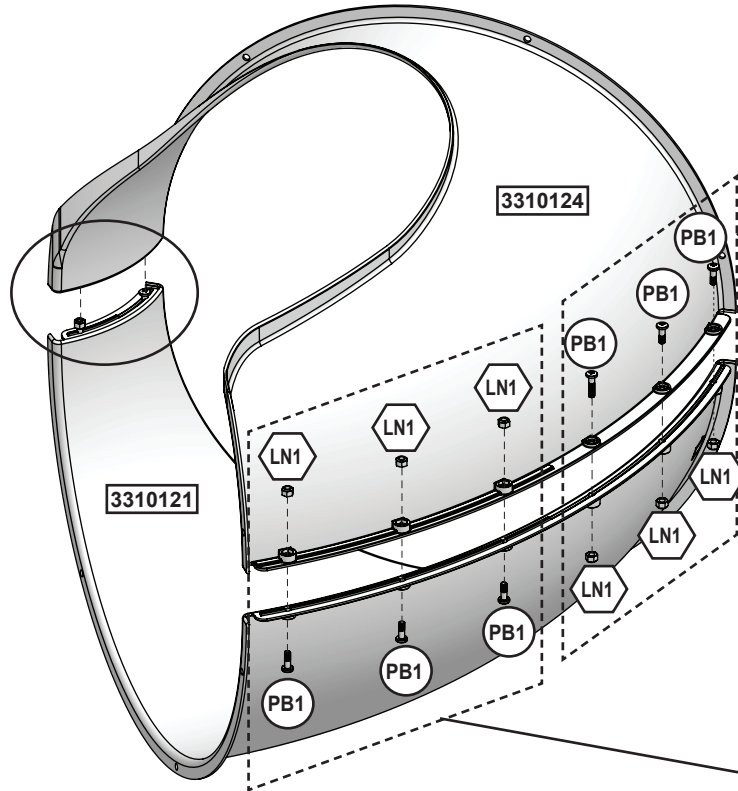
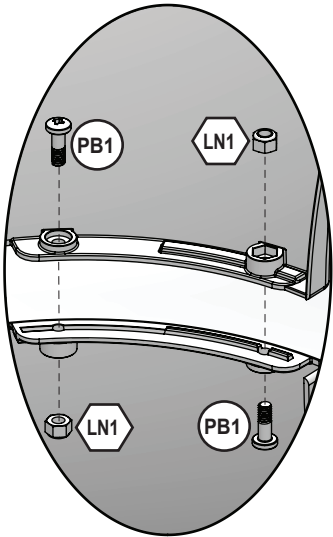
Hardware

9 x (PB1) 6.3 x 19 mm (1/4 x 3/4") (LN1)

Other Parts

- 1 x 3310130
- 1 x 3310131



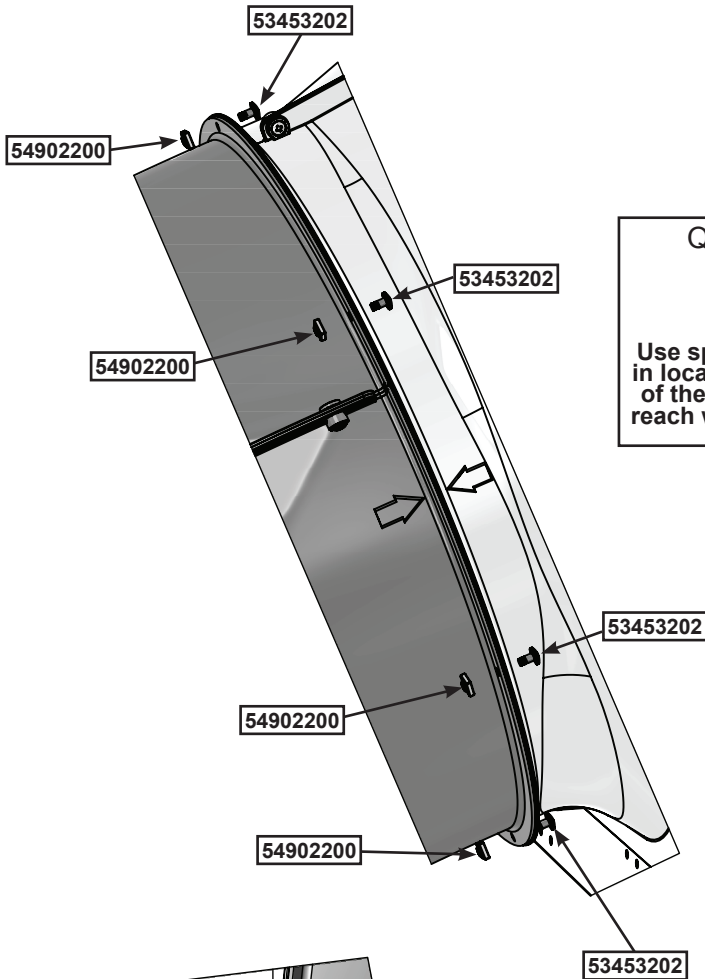
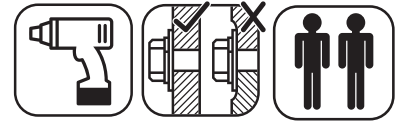


Hardware

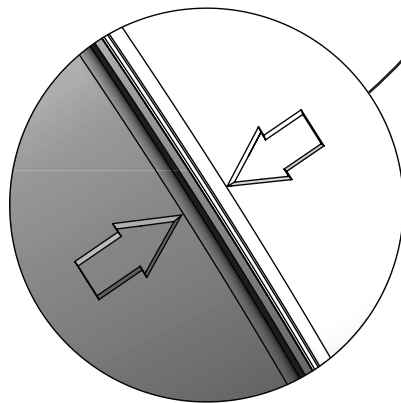
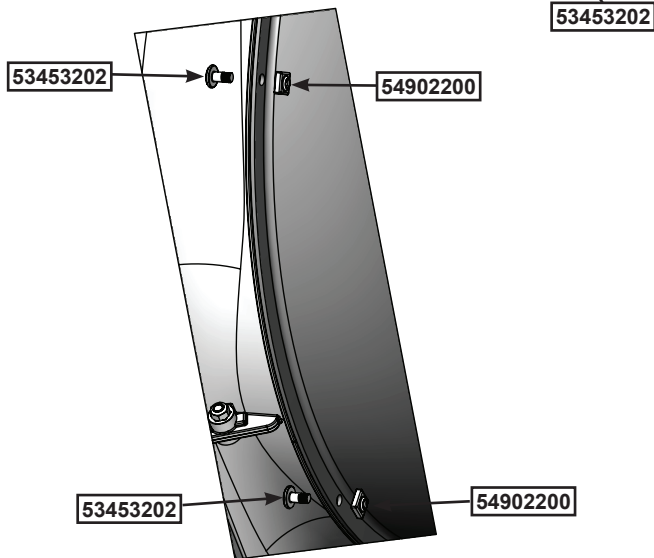
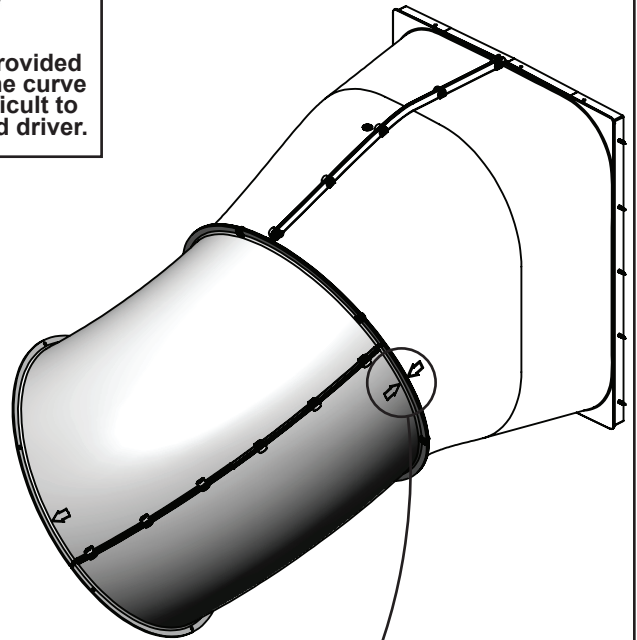
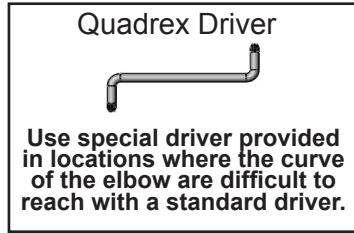
8 x 6.3 x 19 mm (1/4 x 3/4") (LN1)

Other Parts

- 1 x
- 1 x



**Note: Keep all bolts loose until further step.
Use Quadrex Driver as a guide pin for each hole before inserting bolt.**



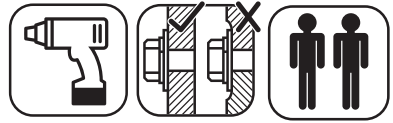
Align each elbow using the molded arrows.

Other Parts

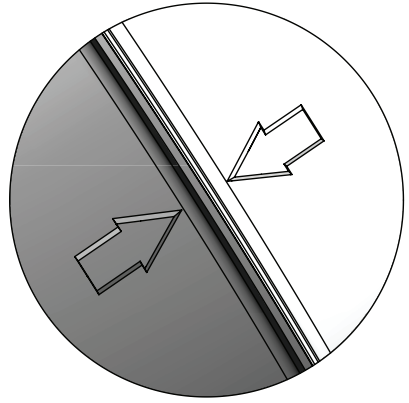
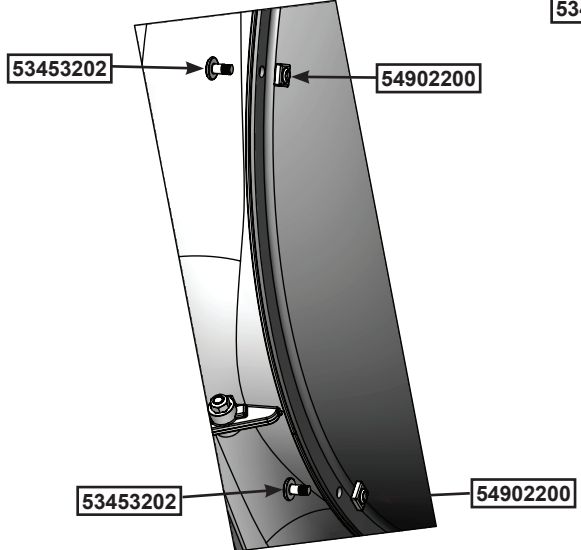
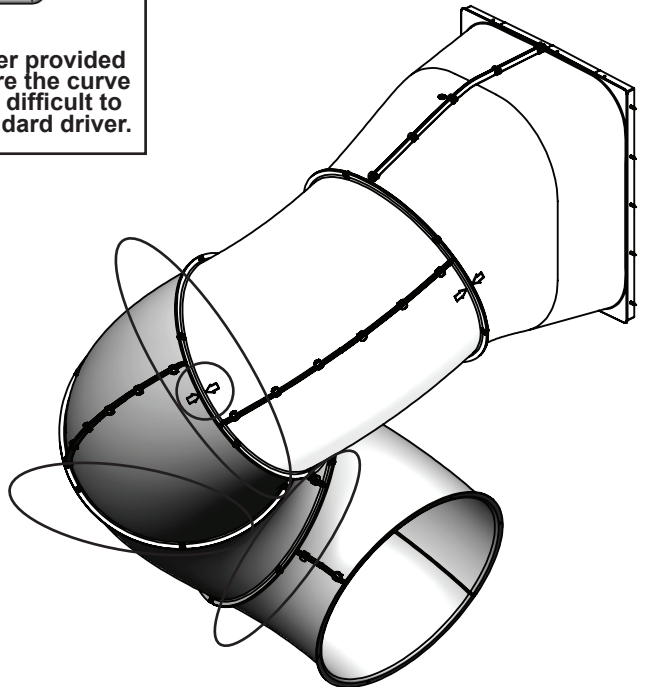
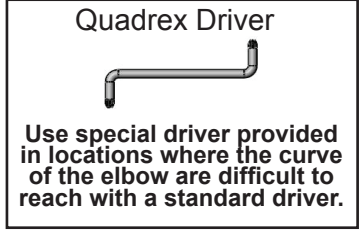
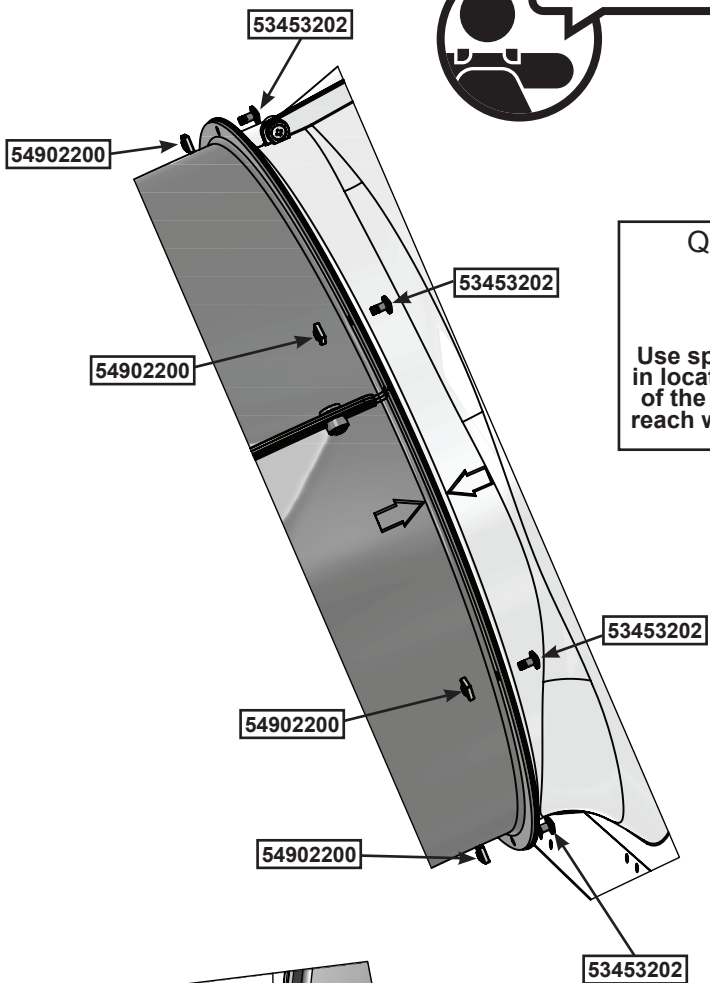
- 6 x 54902200
- 6 x 53453202 1/4" x 12.7mm



Complete this three times



Note: Keep all bolts loose until further step. Use Quadrex Driver as a guide pin for each hole before inserting bolt.



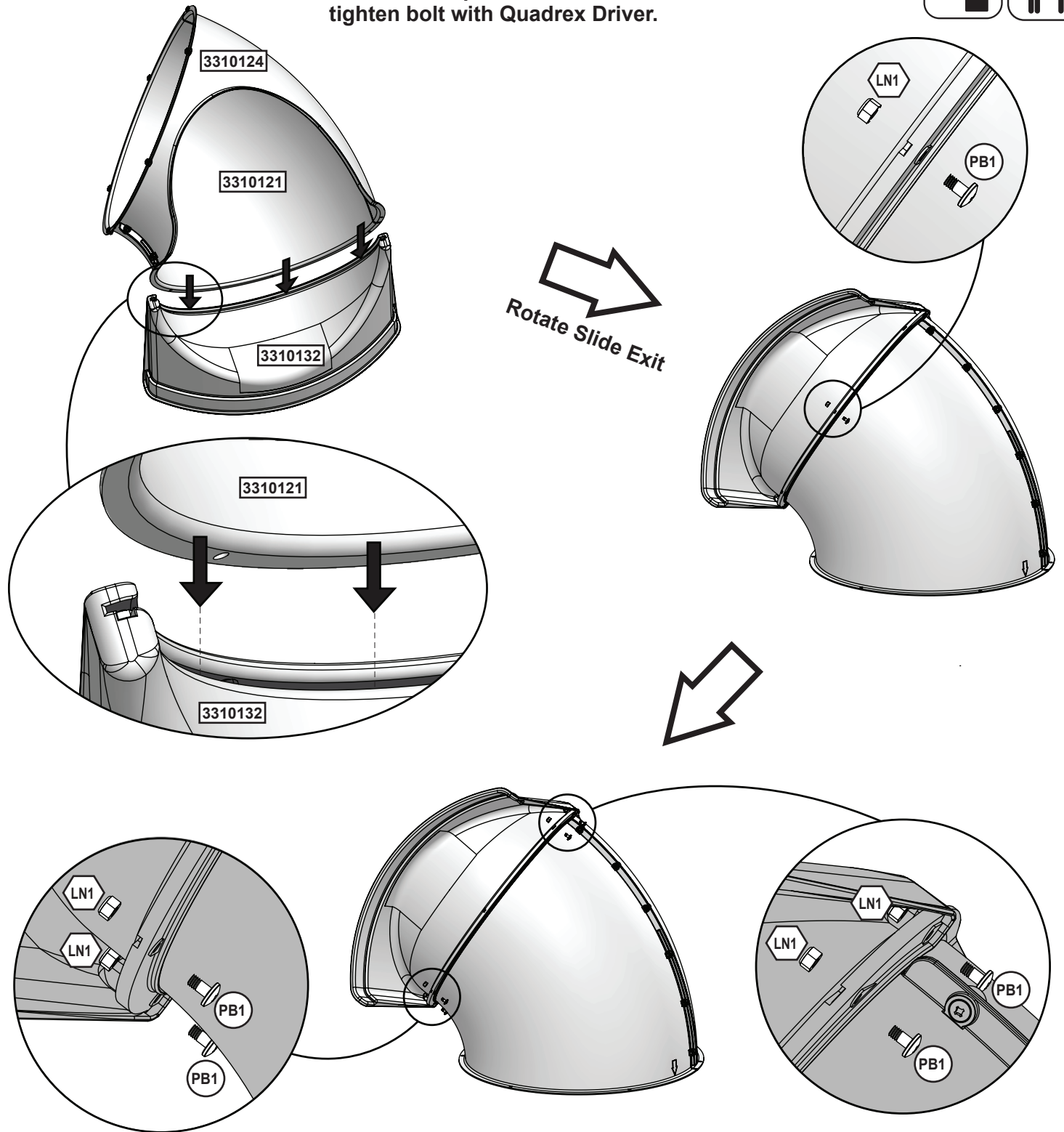
Align each elbow using the molded arrows.

Other Parts

- 18 x 54902200
- 18 x 53453202 1/4" x 12.7mm

77

Use a 7/16" open end wrench to hold nut and then tighten bolt with Quadrex Driver.



Hardware

5 x (PB1) 6.4 x 19 mm (1/4 x 3/4") (LN1)

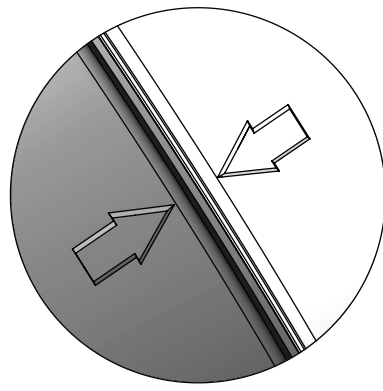
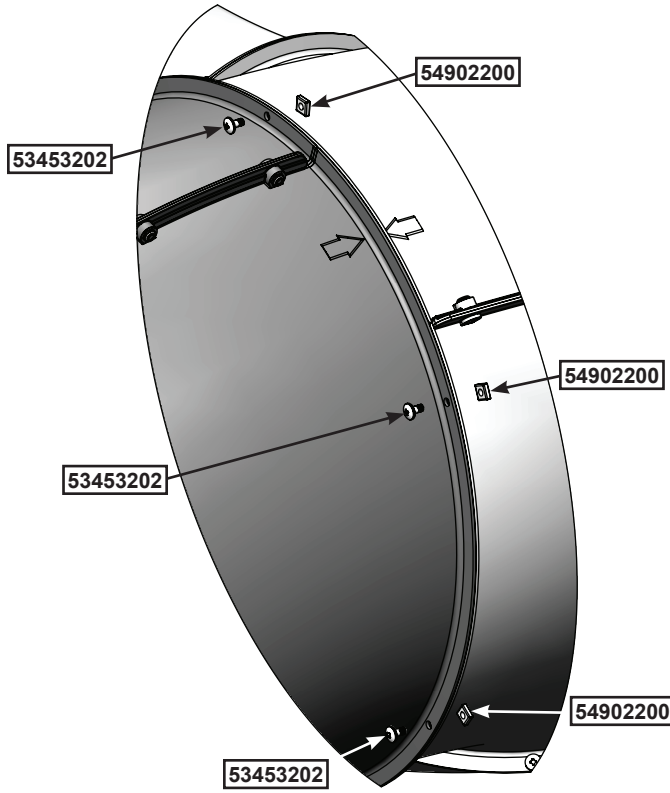
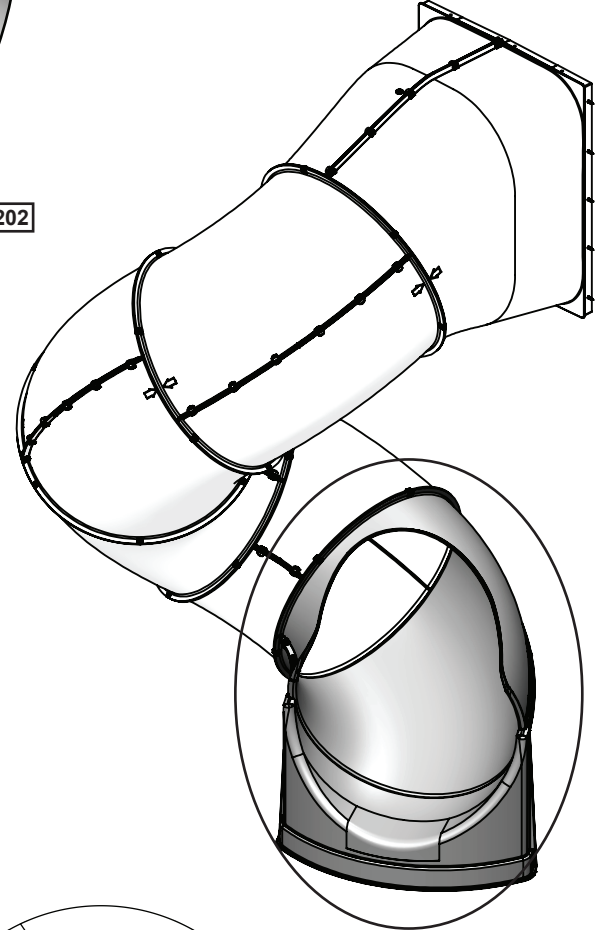
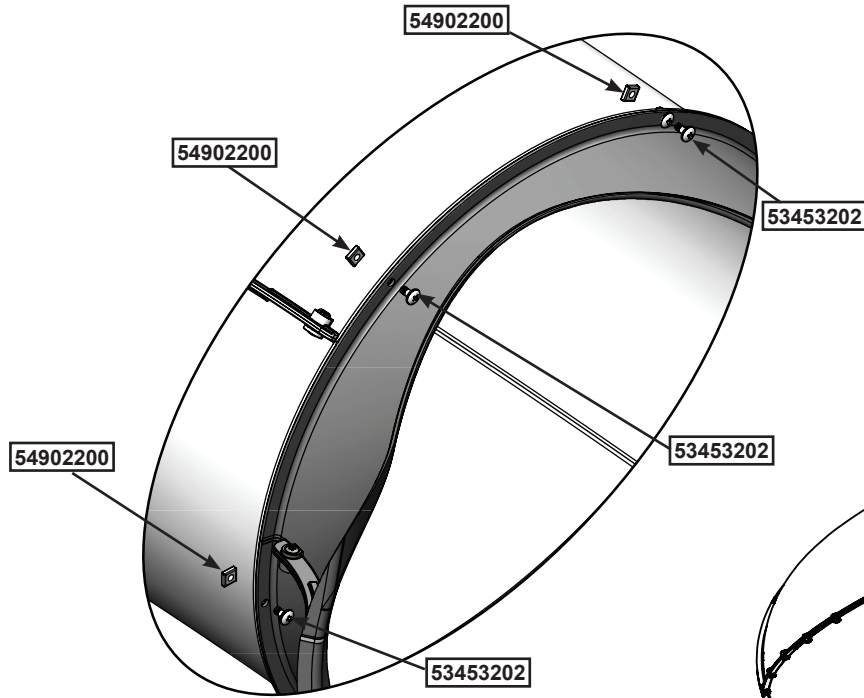
Other Parts

1 x 3310132



78

Tighten all slide bolts before the clamp rings go on in the next step.



Align each elbow using the molded arrows.

Other Parts

- 6 x 54902200
- 6 x 53453202 1/4" x 12.7mm

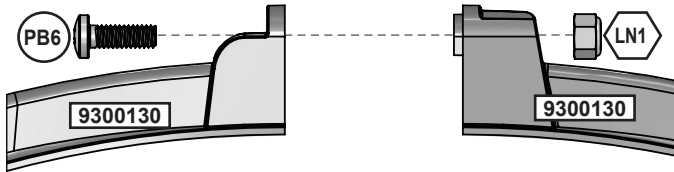


parts.kidkraft.com

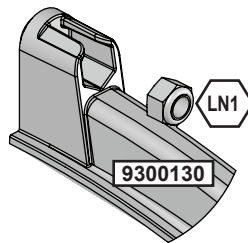
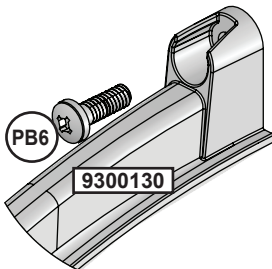
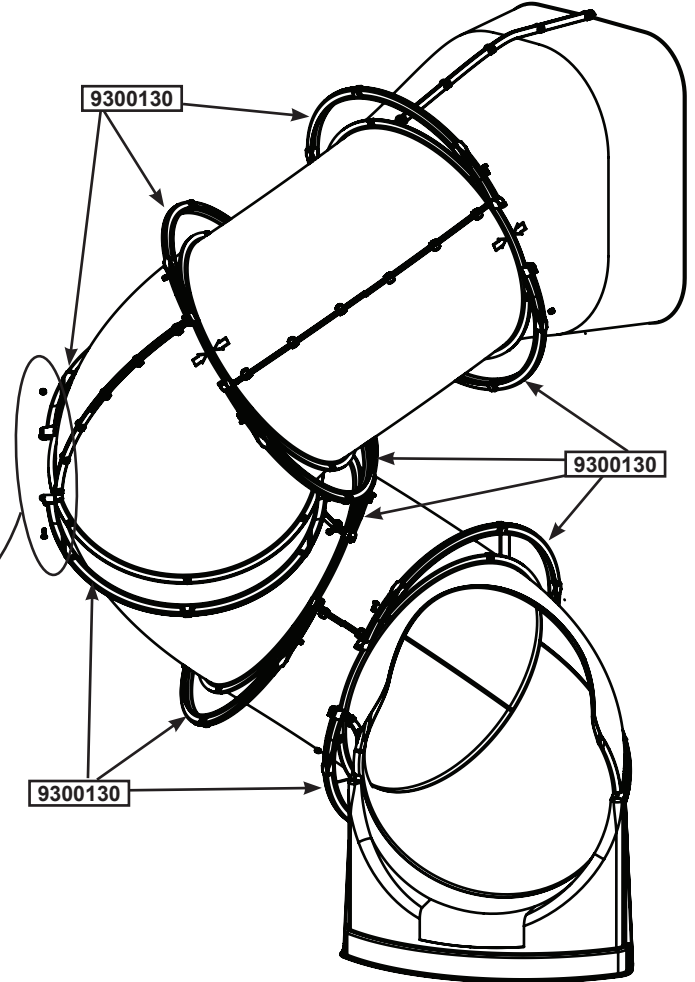
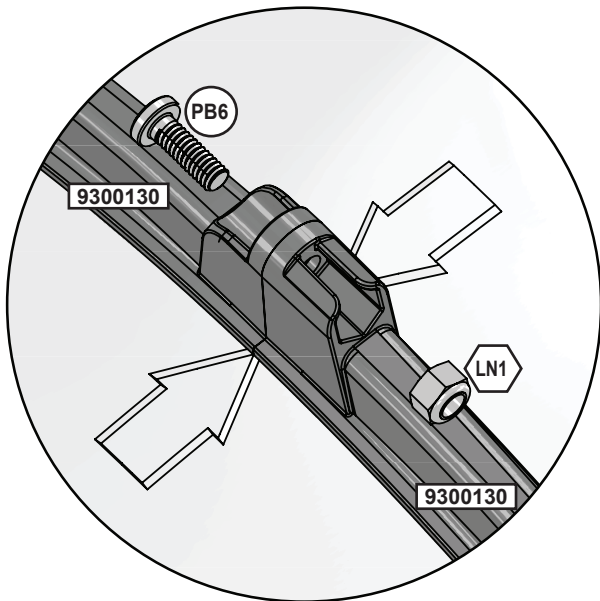
customerservice@kidkraft.com
1.800.933.0771
972.385.0100



Warning. Do not over tighten the clamp rings.



After the clamp rings are attached to the elbows, fasten them end to end with two pan bolts and lock nuts



Note: For ease of assembly bottom set of clamp rings can be rotated 90 degrees to install bolts.

Hardware

10 x (PB6) 6.4 x 25.4 mm (1/4 x 1") (LN1)

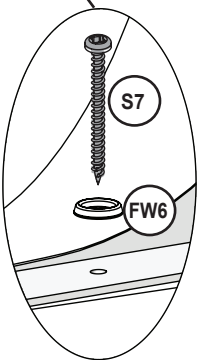
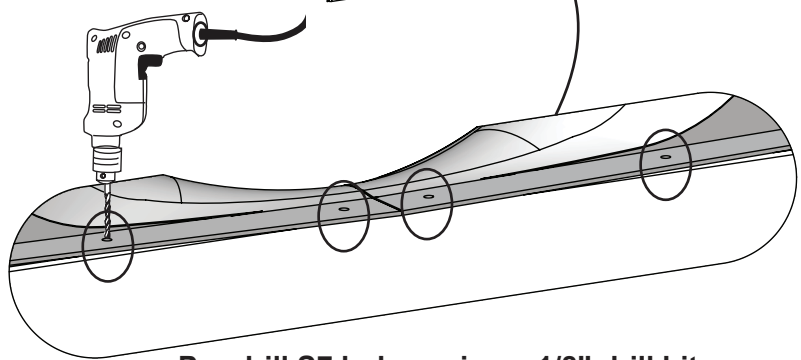
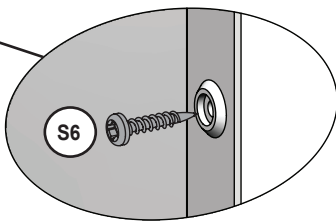
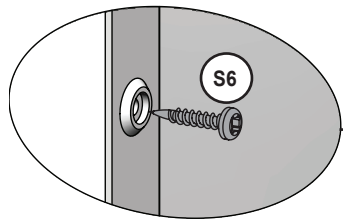
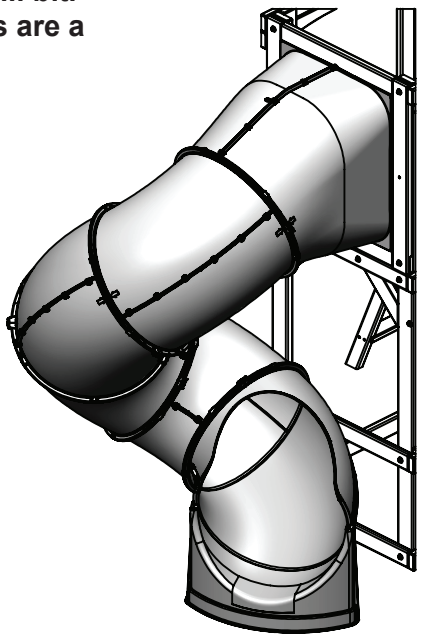
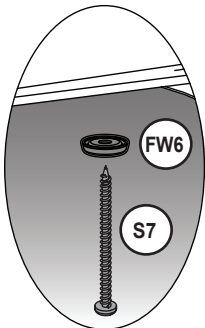
Other Parts

10 x 9300130








Pre-drill S7 holes using a 1/8" drill bit. Making sure the pre-drilled holes are a minimum of 1" deep.



Pre-drill S7 holes using a 1/8" drill bit. Making sure the pre-drilled holes are a minimum of 1" deep.

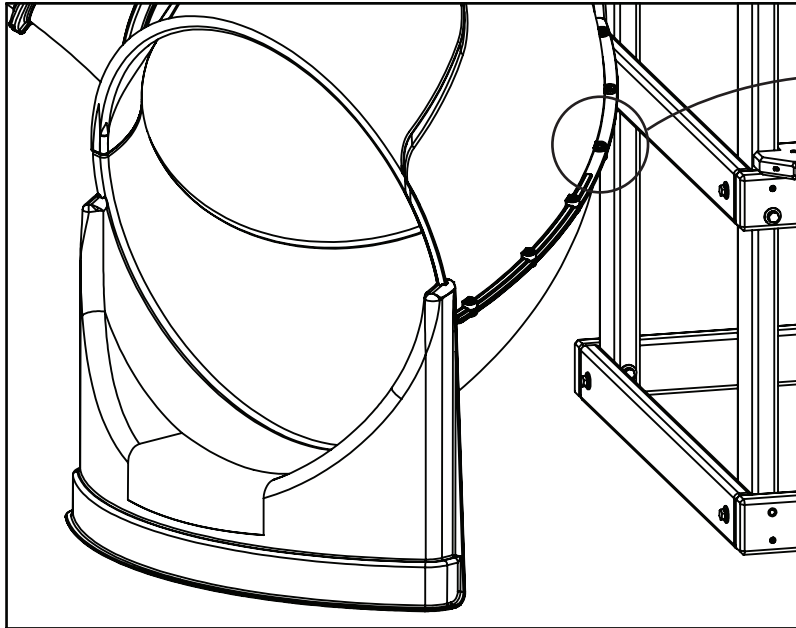
Hardware

- 10 x  #12 x 25.4mm (#12 x 1")
- 8 x  #12 x 50.8mm (#12 x 2")
- 8 x  #12

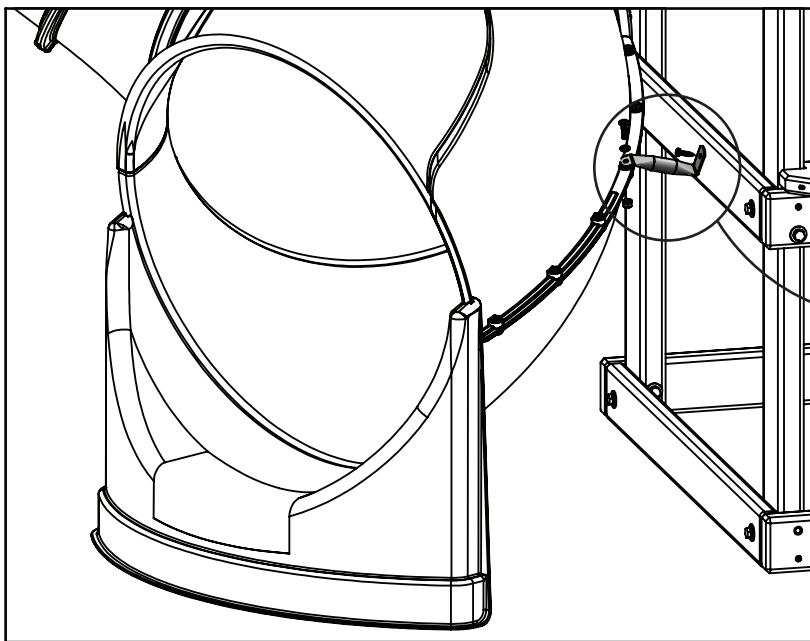


parts.kidkraft.com

customerservice@kidkraft.com
1.800.933.0771
972.385.0100



Remove PB1 (1/4 x 3/4" Pan Bolt),
The bolt (PB1) will no longer be
needed, but keep the lock nut (LN1)



Install PB6 (1/4 x 1" Pan Bolt)
with flat washer (FW0)

Hardware

1 x 6.4 x 25.4 mm (1/4 x 1") (FW0)

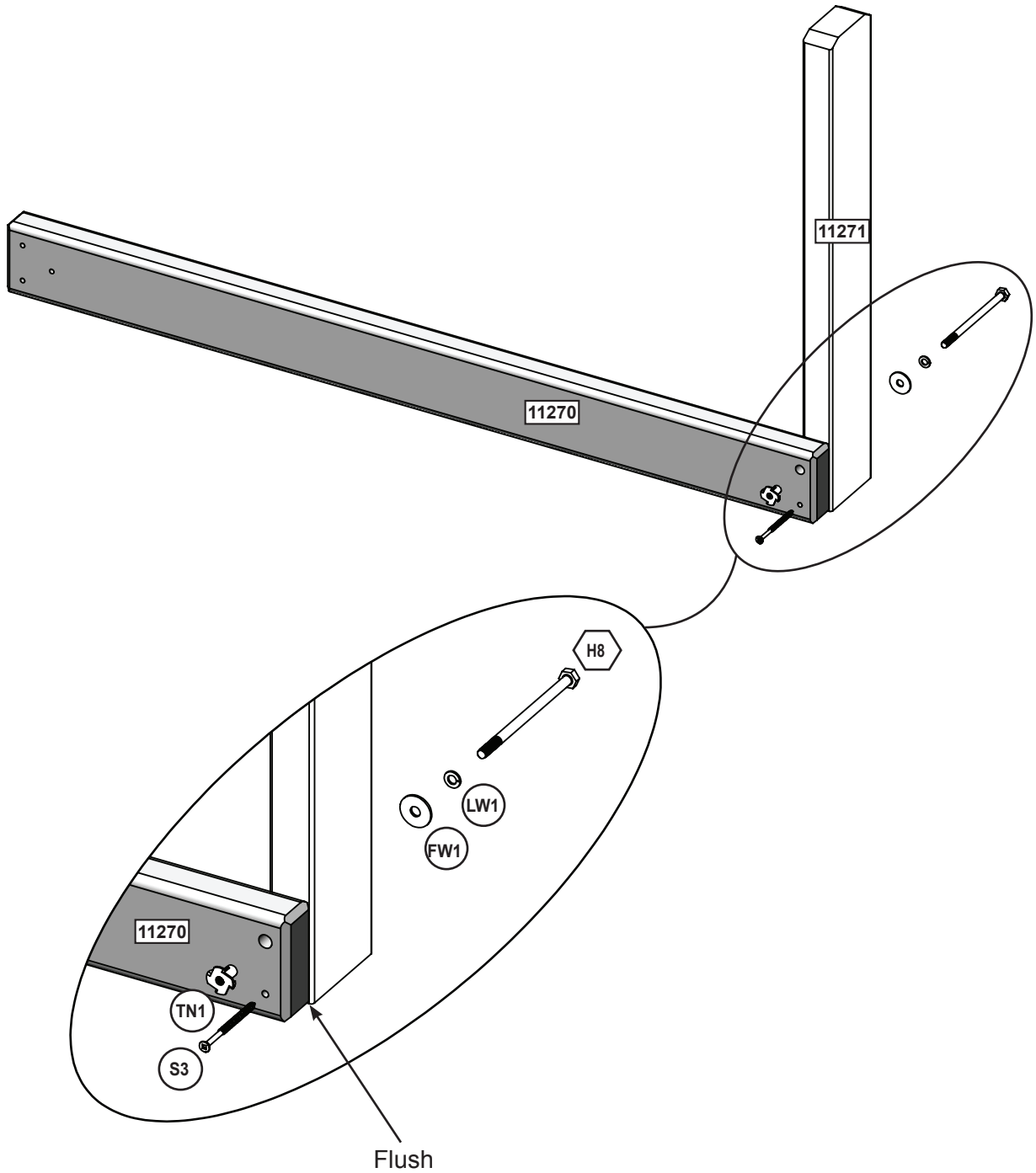
1 x #12 x 25.4mm (#12 x 1")

Other Parts

1 x

82

Assemble T-Nuts first with hammer!



Wood Parts

- 1 x **11270** 31.8 mm x 76.2 mm x 880.8 mm (1 1/4" x 3" x 34 11/16")
- 1 x **11271** 31.8 mm x 76.2 mm x 510 mm (1 1/4" x 3" x 20 1/16")

Hardware

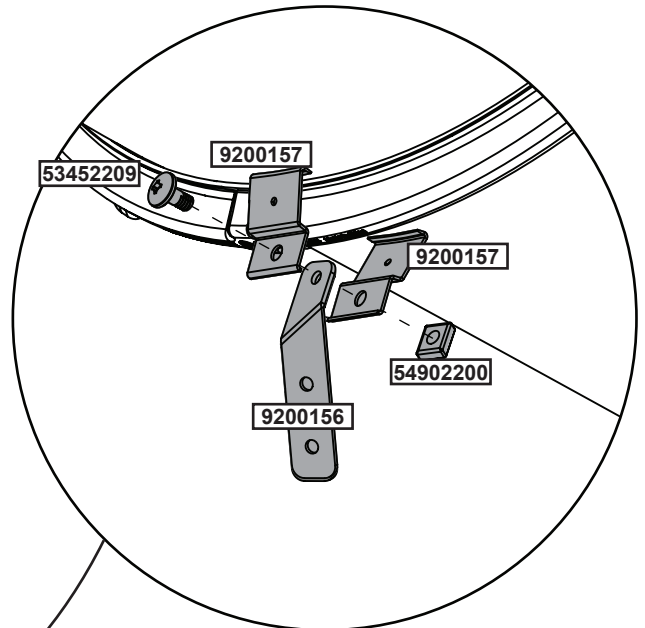
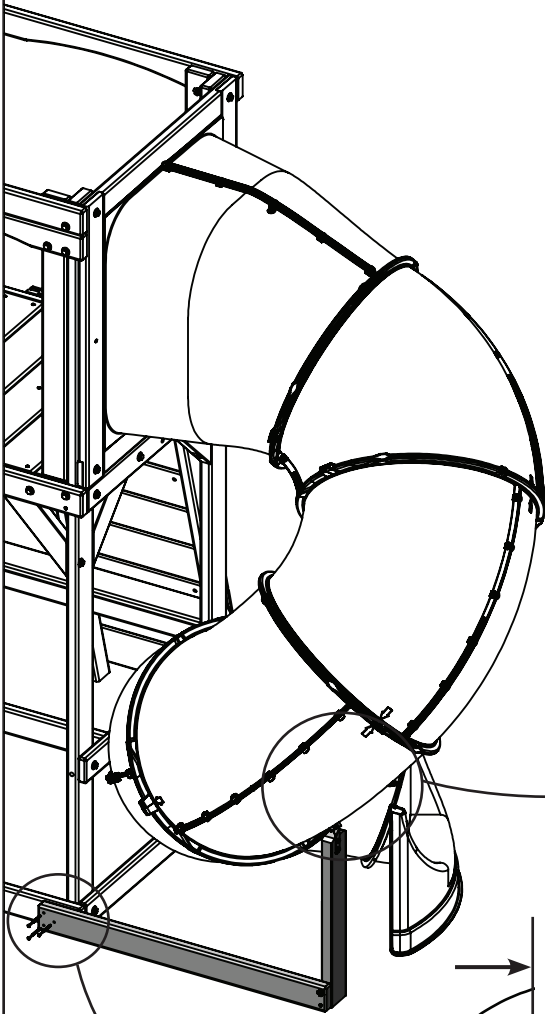
- 1 x **S3** #8 x 63.5mm (#8 x 2-1/2")
- 1 x **H8** 6.4 x 108mm (1/4 x 4-1/4")(FW1, LW1, TN1)



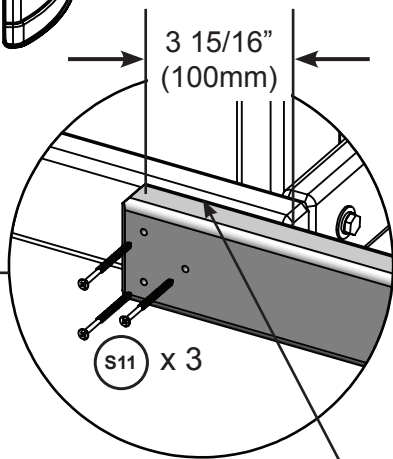
parts.kidkraft.com

customerservice@kidkraft.com
 1.800.933.0771
 972.385.0100

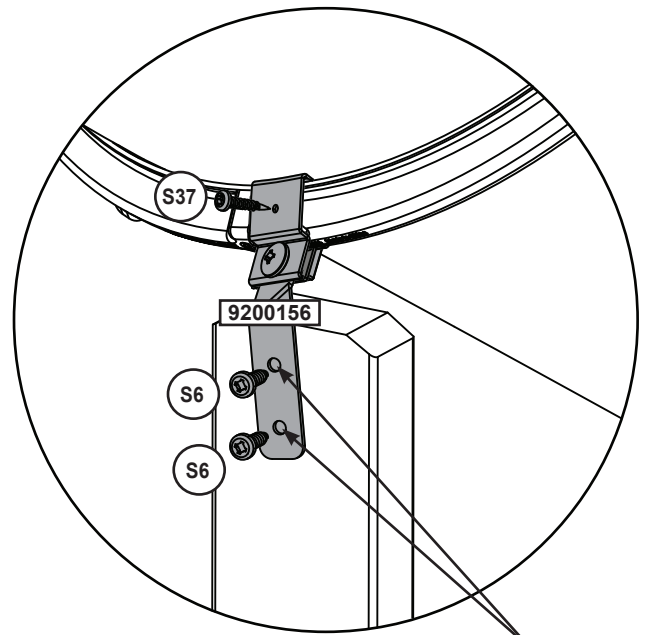
Note: Structure partly removed for clarity.



Rotated View



Flush



Pre-drill with a 1/8" drill bit.

Hardware

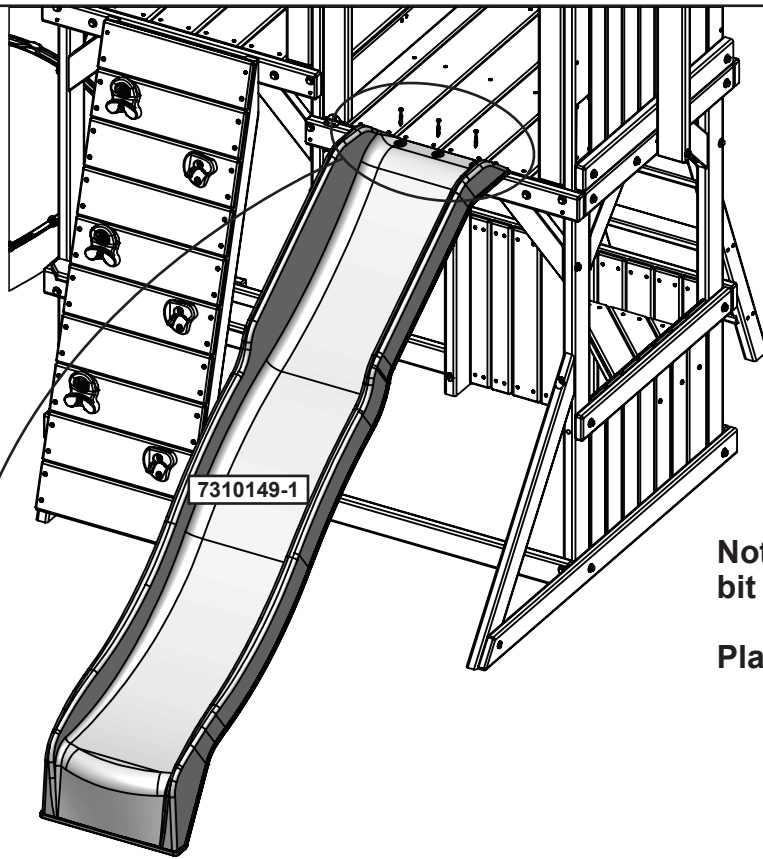
- 1 x S37 #7 x 15.87mm (#7 x 5/8")
- 2 x S6 #12 x 25.4mm (#12 x 1")
- 3 x S11 #8 x 50.8mm (#8 x 2")

Other Parts

- 1 x 54902200 2 x 9200157
- 1 x 9200156 1 x 53452209 1/4 x 14.5mm



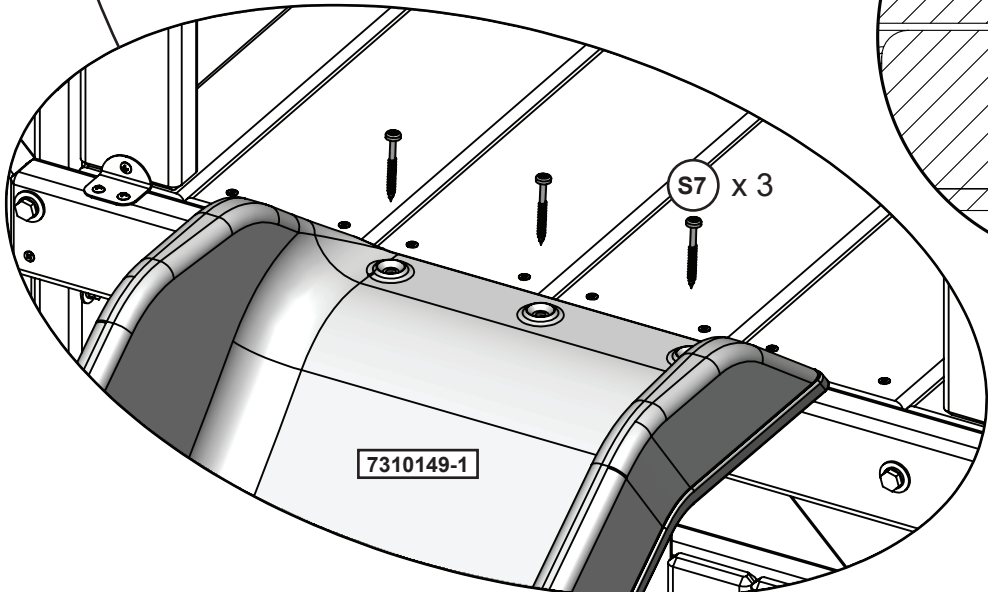
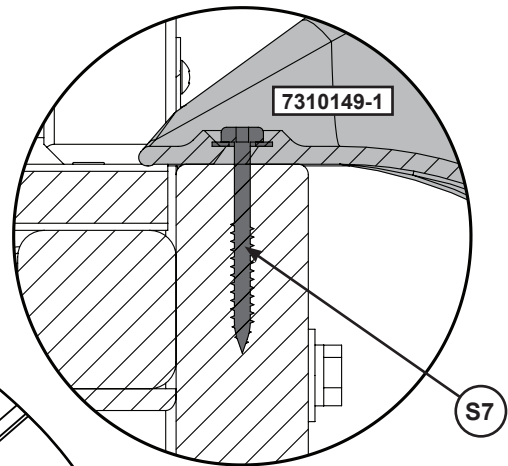
84



Note: Structure partly removed for clarity.

Note: Pre-drill all holes using a 1/8" drill bit before installing the pan screws.

Place Slide centered in the opening.



Hardware

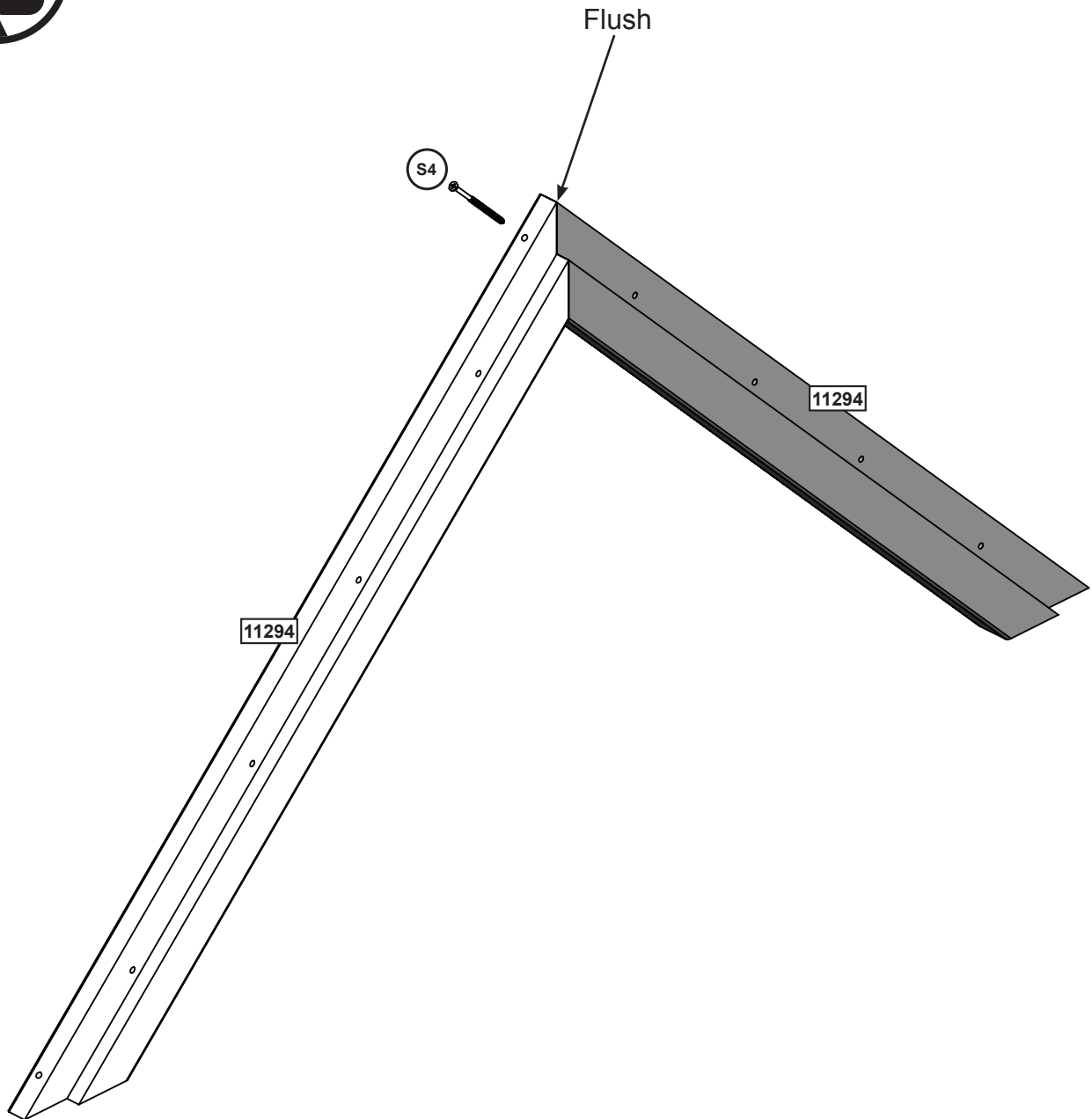
3 x (S7) #12 x 50.8 mm (#12 x 2")

Other Parts

1 x 7310149-1

85

Complete this step
four times



Wood Parts

8 x 11294 31.8 mm x 69.9 mm x 800 mm (1 1/4" x 2 3/4" x 31 1/2")

Hardware

4 x S4 #8 x 76.2 mm (#8 x 3")

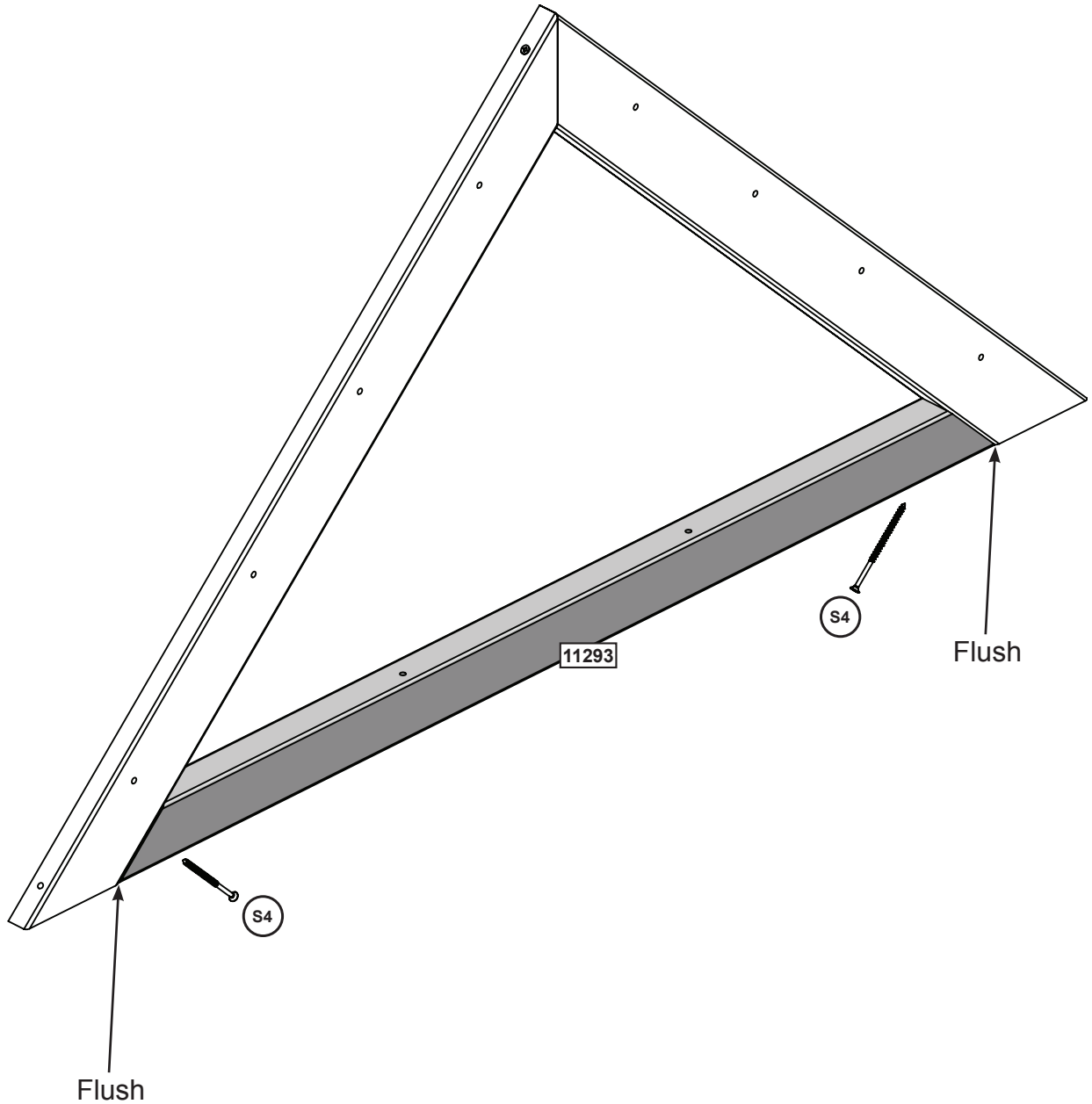
europecustomerservice@kidkraft.com
+31 20 305 8620
M-F from 09:00 to 17:30 (GMT+1)

parts.kidkraft.eu



86

Complete this step twice



Wood Parts

2 x **11293** 31.8 mm x 49 mm x 934 mm (1 1/4" x 1 15/16" x 36 3/4")

Hardware

4 x **S4** #8 x 76.2 mm (#8 x 3")

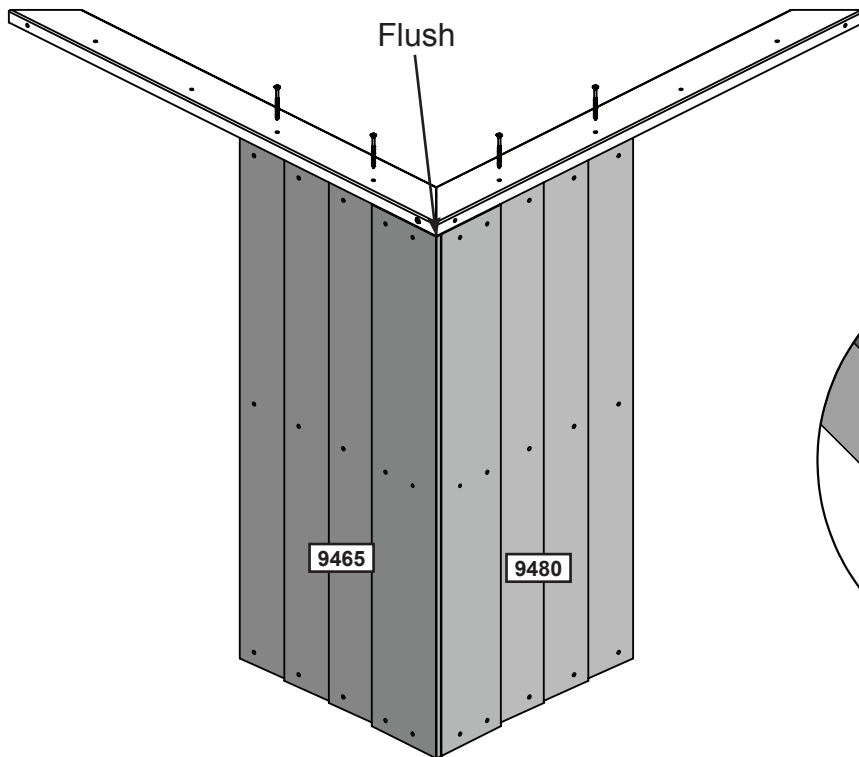


parts.kidkraft.com

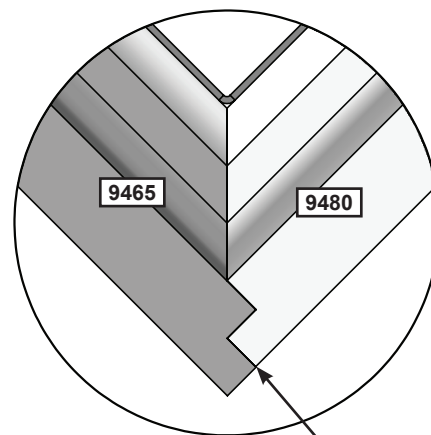
customerservice@kidkraft.com
1.800.933.0771
972.385.0100

87

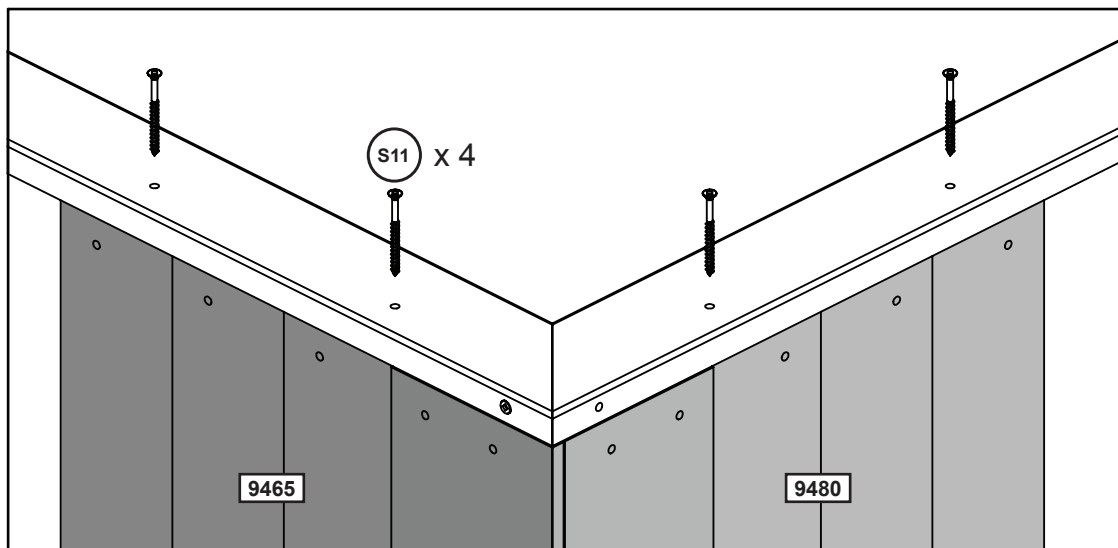
Complete this step twice



Top View



Flush



Wood Parts

- 2 x **9465** 31.8 mm x 371.2 mm x 796.9 mm (1 1/4" x 14 5/8" x 31 3/8")
- 2 x **9480** 31.8 mm x 364.8 mm x 796.9 mm (1 1/4" x 14 3/8" x 31 3/8")

Hardware

- 8 x **S11** #8 x 50.8 mm (#8 x 2")

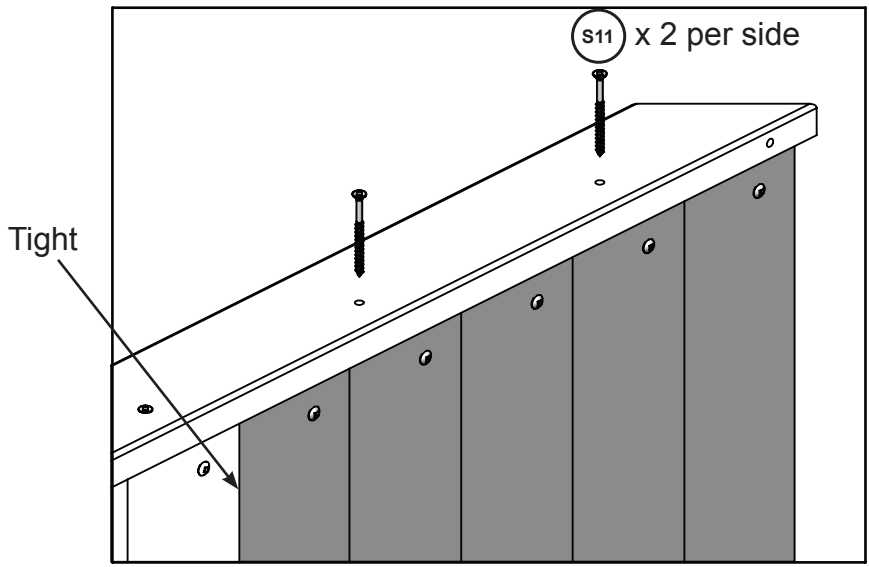
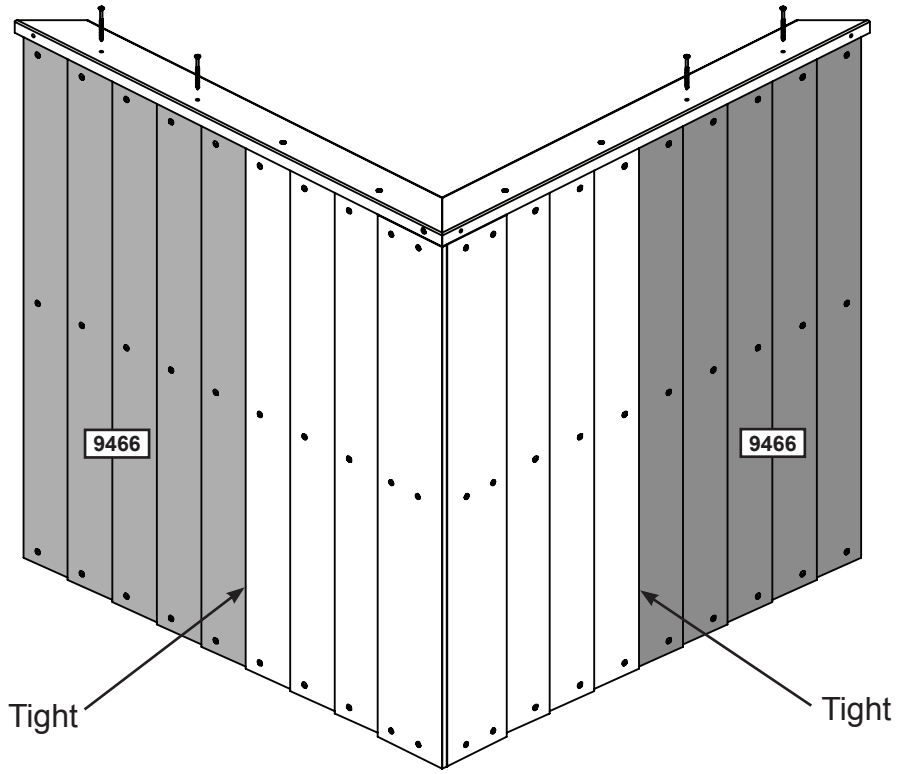
europecustomerservice@kidkraft.com
 +31 20 305 8620
 M-F from 09:00 to 17:30 (GMT+1)

parts.kidkraft.eu



88

Complete this step twice



Wood Parts

4 x 9466 28.6 mm x 422 mm x 796.9 mm (1 1/8" x 16 5/8" x 31 3/8")

Hardware

8 x s11 #8 x 50.8mm (#8 x 2")

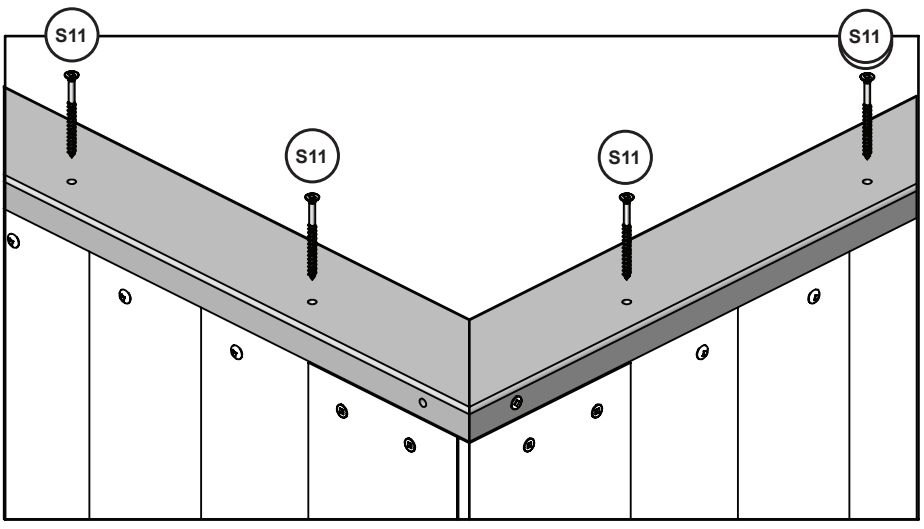
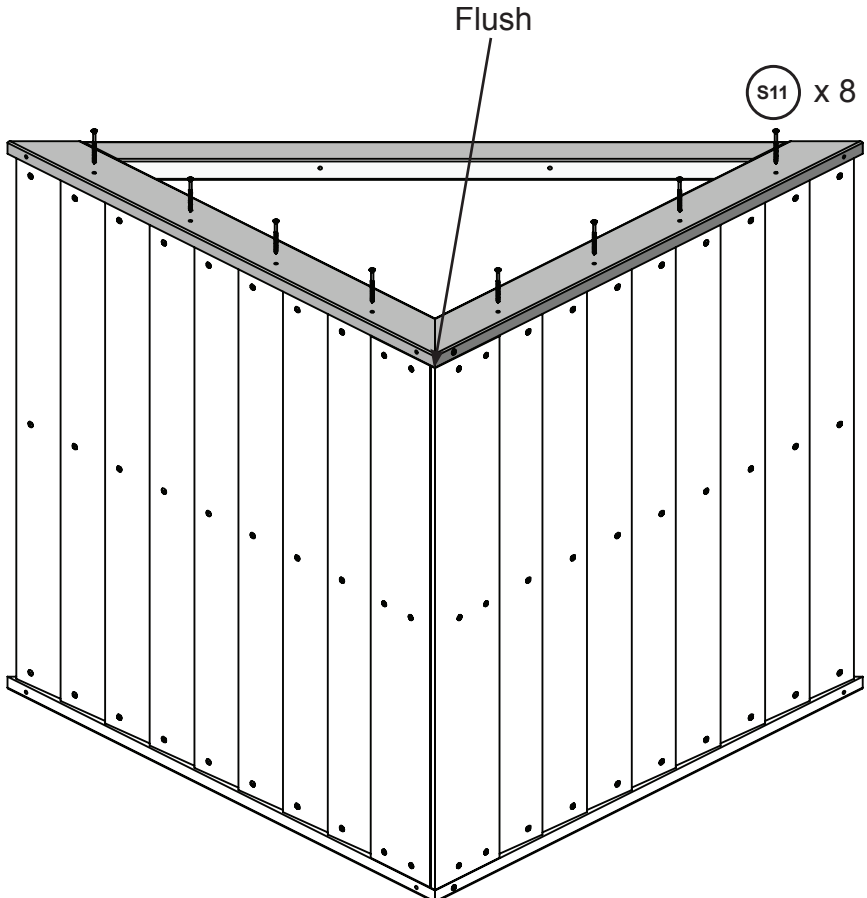


parts.kidkraft.com

customerservice@kidkraft.com
1.800.933.0771
972.385.0100

89

Complete this step twice



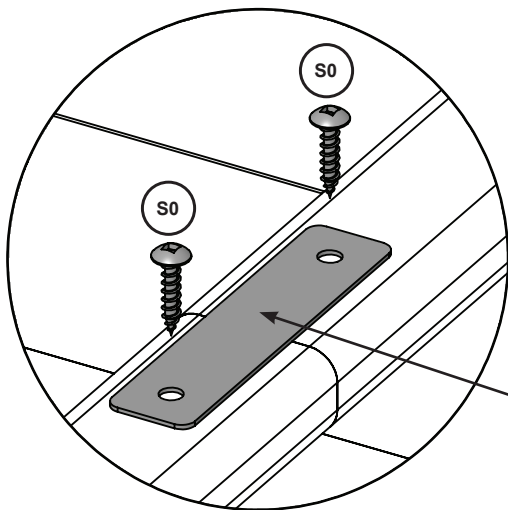
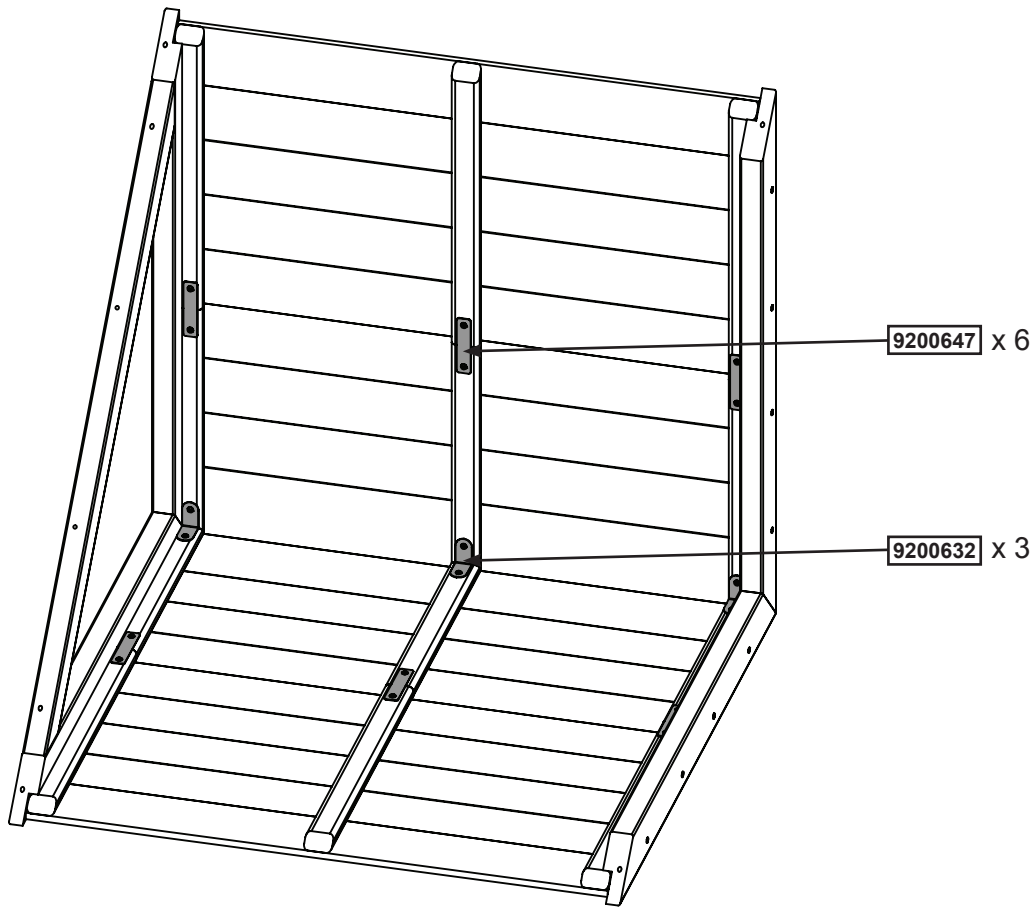
Hardware

16 x (S11) #8 x 50.8 mm (#8 x 2")

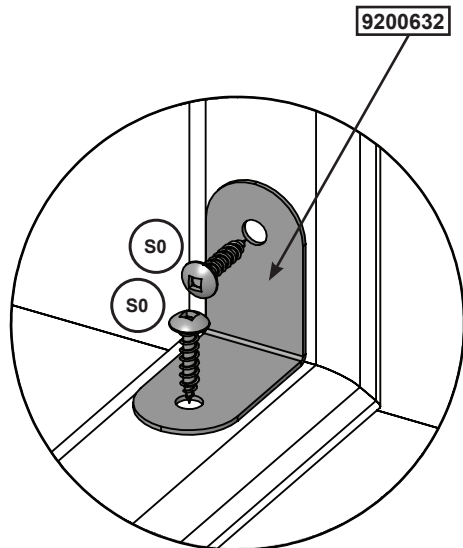


90

Complete this step twice



9200647



9200632

Hardware

36 x #8 x 22.2 mm (#8 x 7/8")

Other Parts

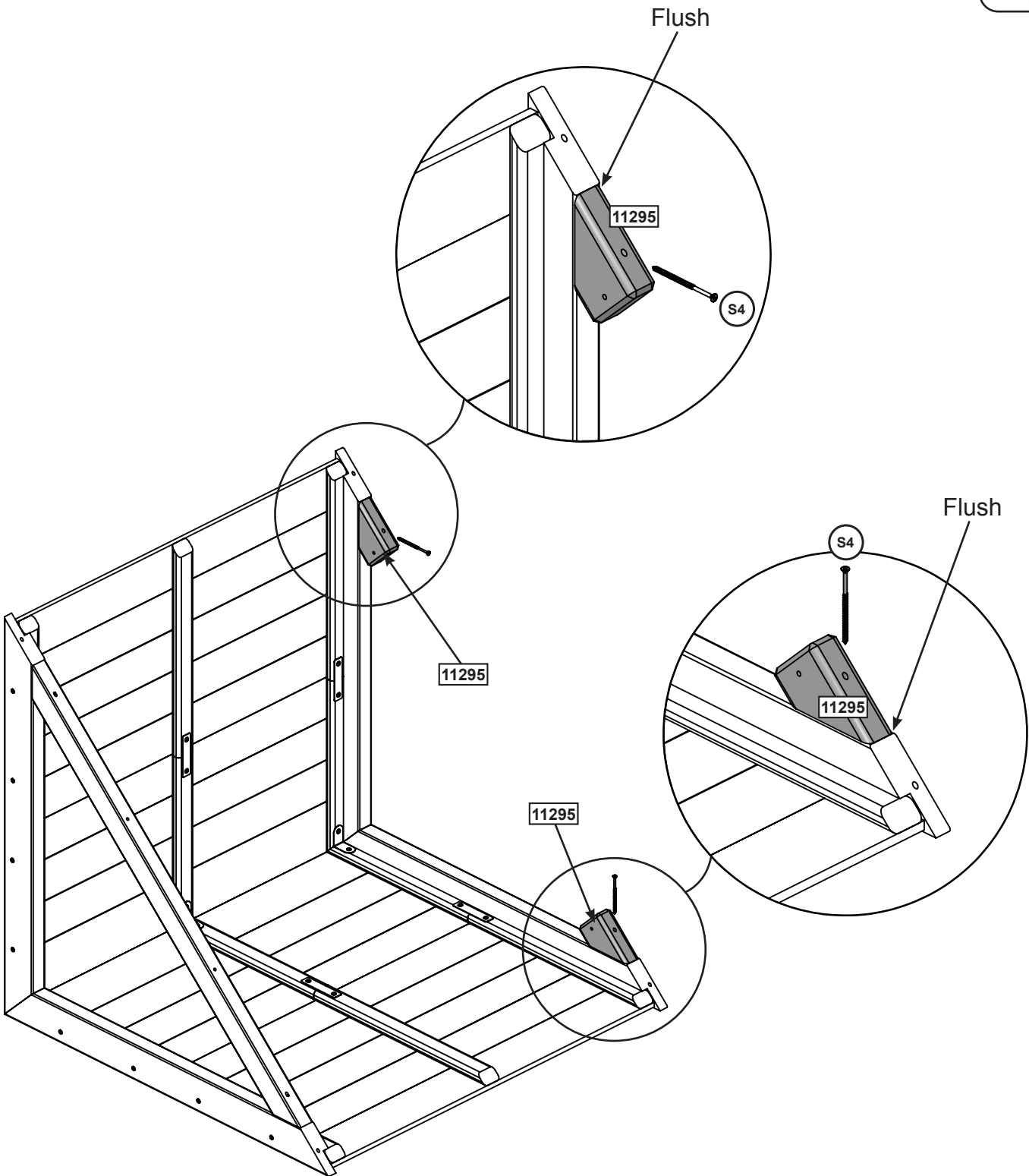
6 x

12 x



parts.kidkraft.com

customerservice@kidkraft.com
1.800.933.0771
972.385.0100



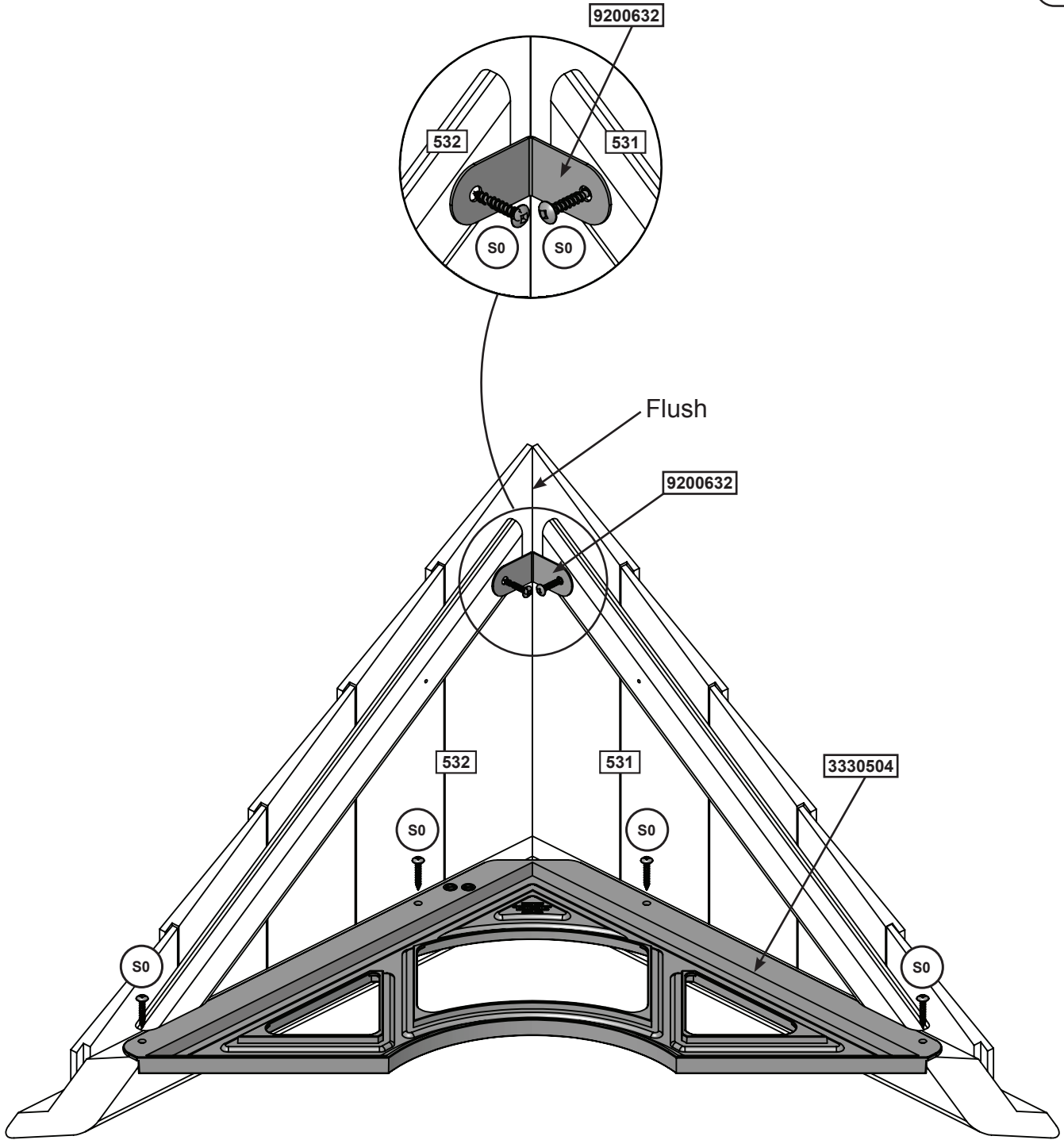
Wood Parts

2 x 11295 31.8 mm x 69.9 mm x 103 mm (1 1/4" x 2 3/4" x 4 1/16")

Hardware

2 x S4 #8 x 76.2 mm (#8 x 3")





Wood Parts

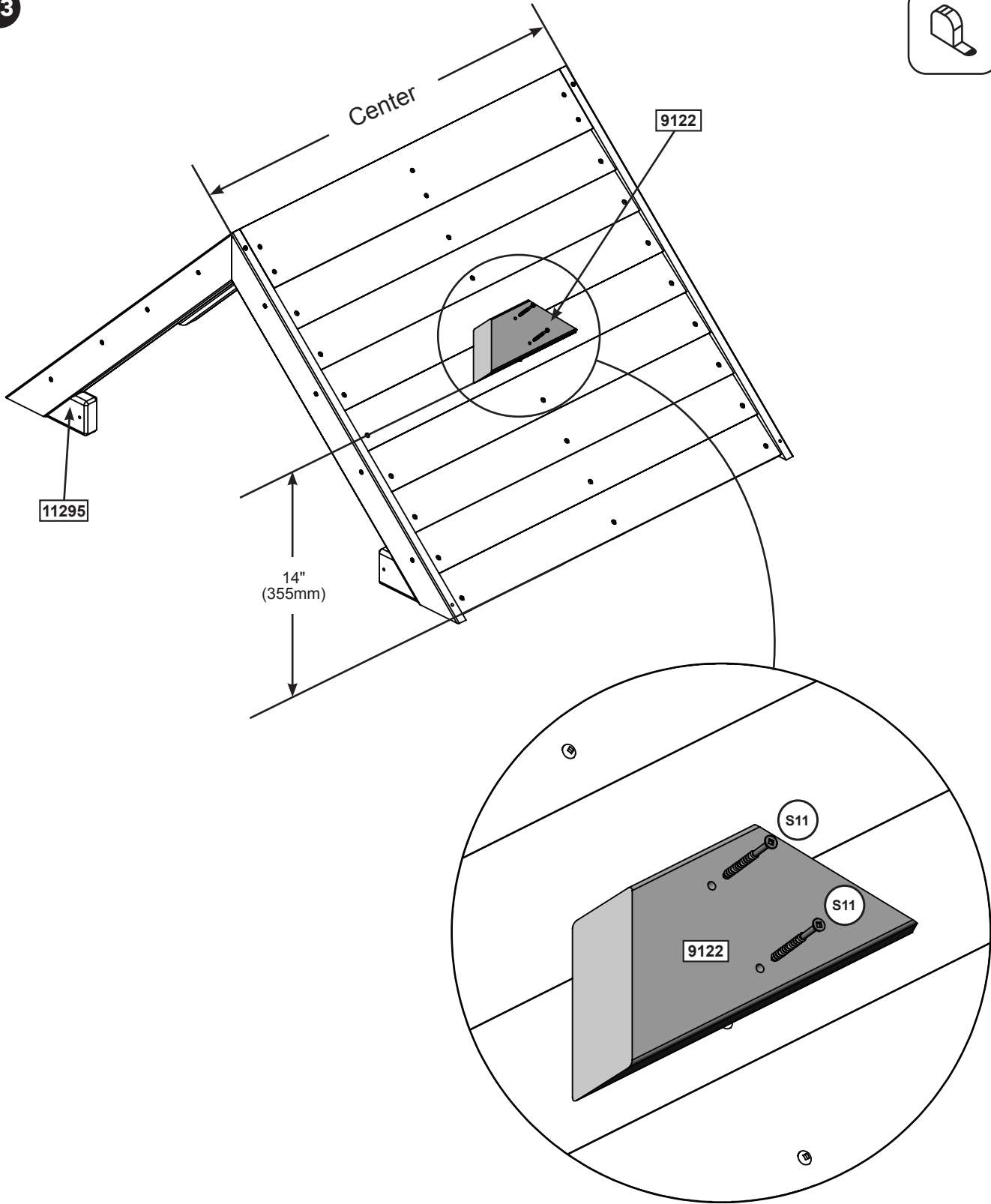
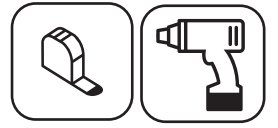
- 1 x 531 38.1 mm x 338.6 mm x 503 mm (1-1/2" x 13 5/16" x 19 13/16")
- 1 x 532 38.1 mm x 338.6 mm x 503 mm (1-1/2" x 13 5/16" x 19 13/16")

Hardware

- 6 x S0 #8 x 22.2 mm (#8 x 7/8")

Other Parts

- 1 x 3330504
- 1 x 9200632



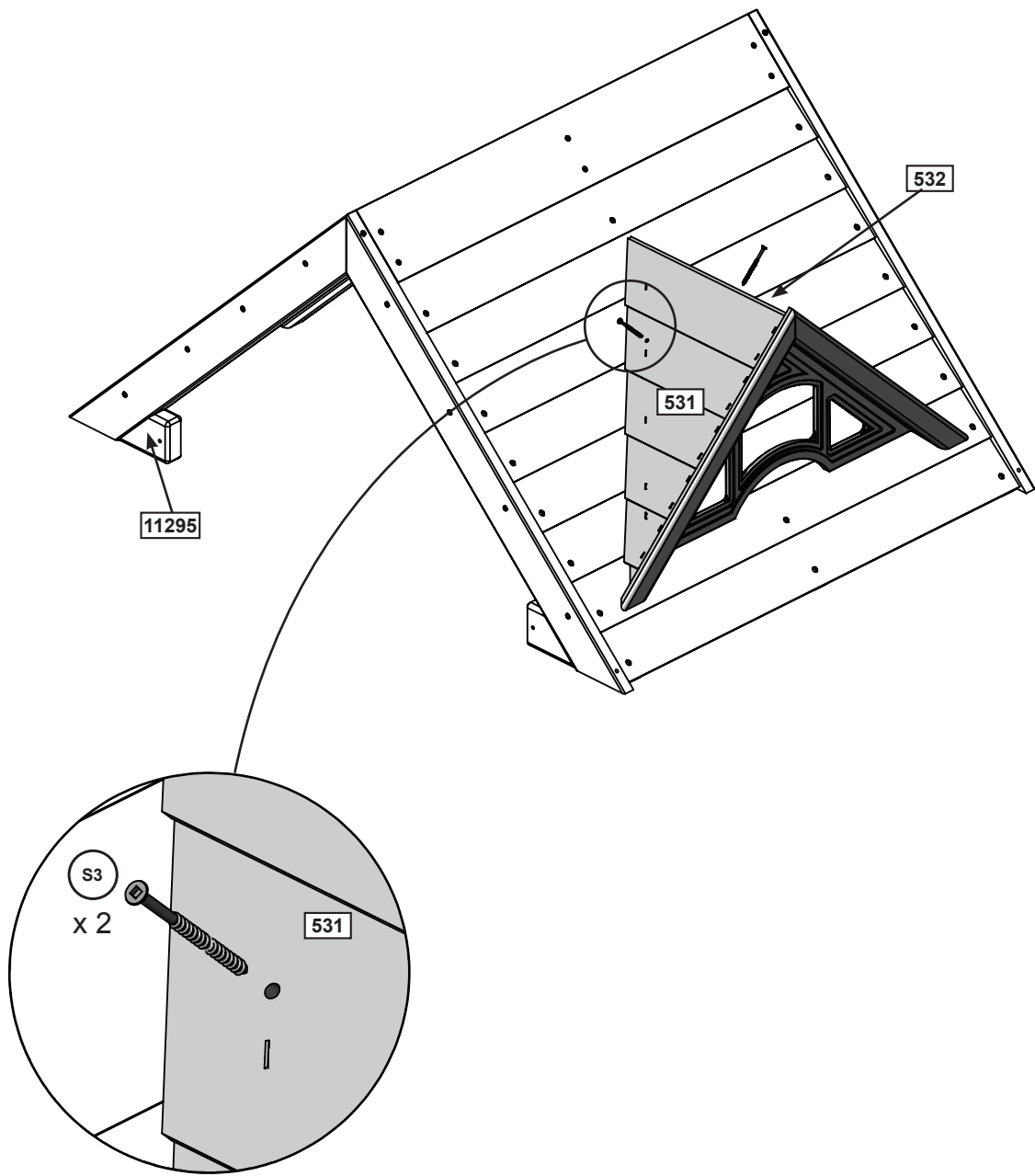
Wood Parts

1 x 9122 34.9 mm x 85.7 mm x 254 mm (1 3/8" x 3 3/8" x 10")


Hardware

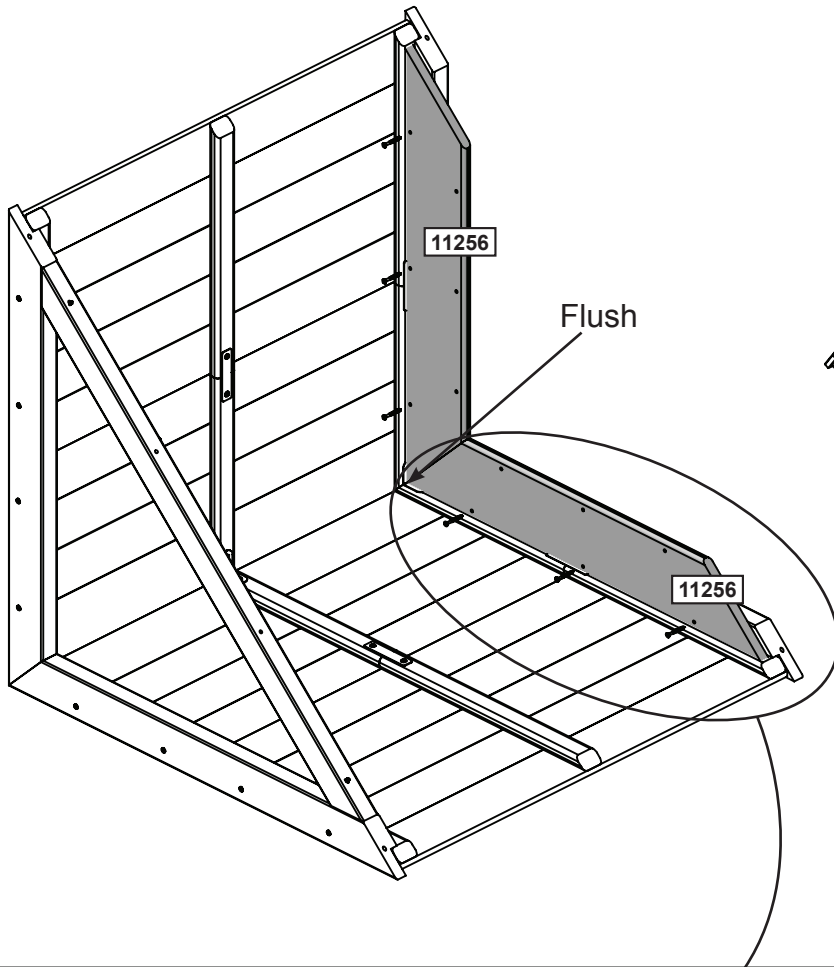
2 x S11 #8 x 50.8 mm (#8 x 2")



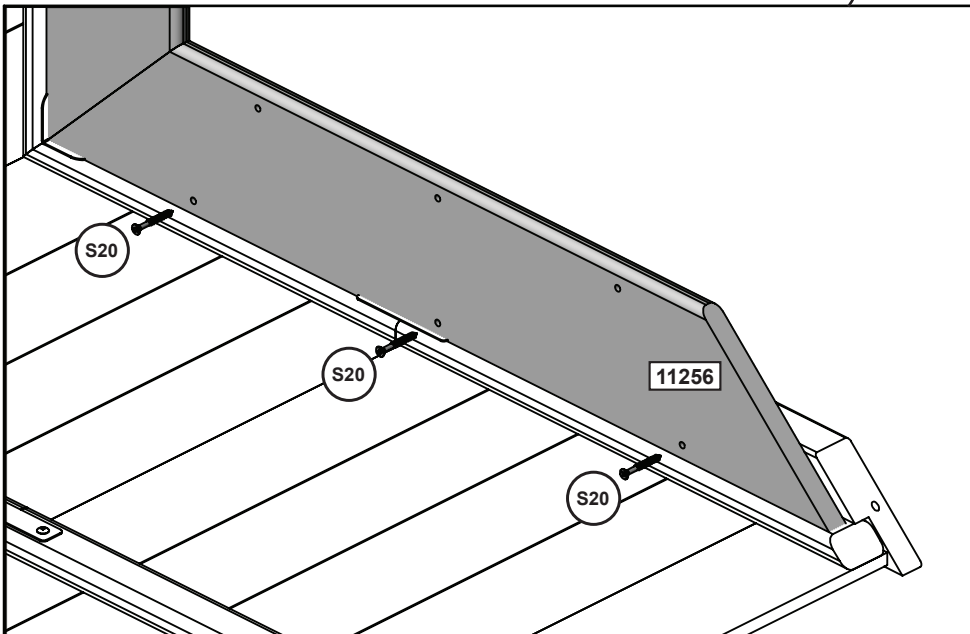
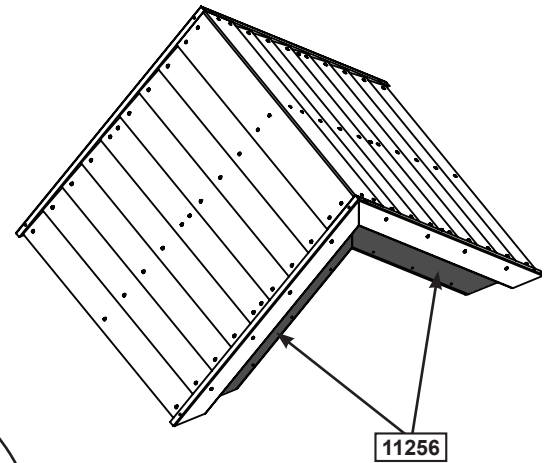


Hardware

2 x  #8 x 63.5 mm (#8 x 2-1/2")



Outside View



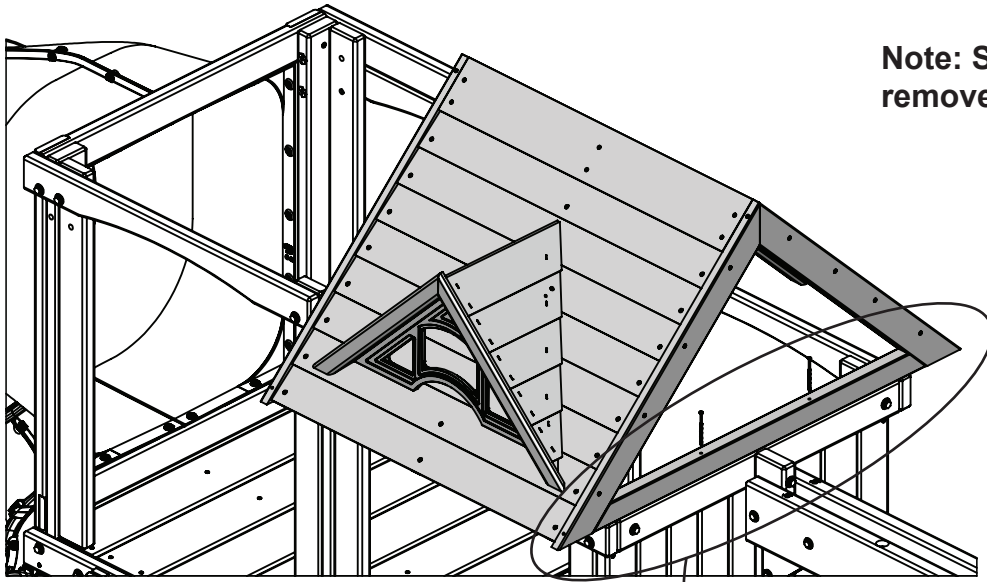
Wood Parts

2 x **11256** 15.9 mm x 136.5 mm x 729 mm (5/8" x 5 3/8" x 28 11/16")

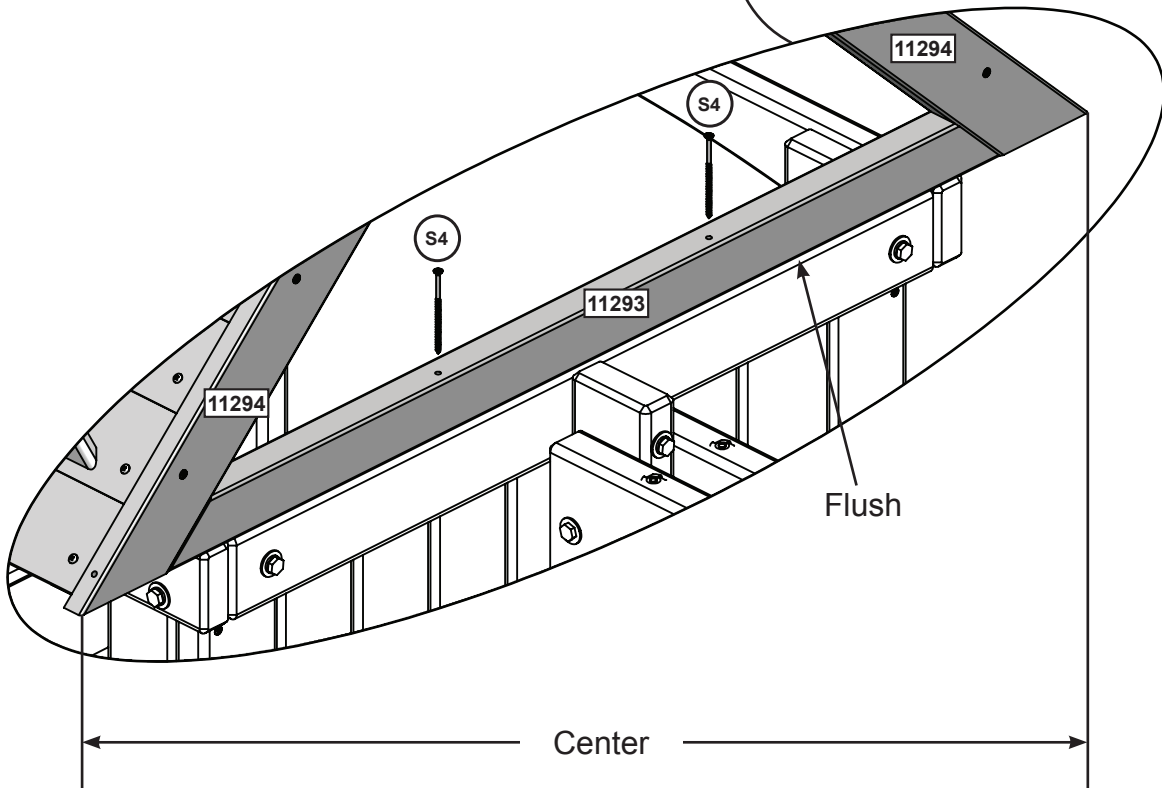
Hardware

6 x **S20** #8 x 34.9 mm (#8 x 1-3/8")





Note: Structure partly removed for clarity.

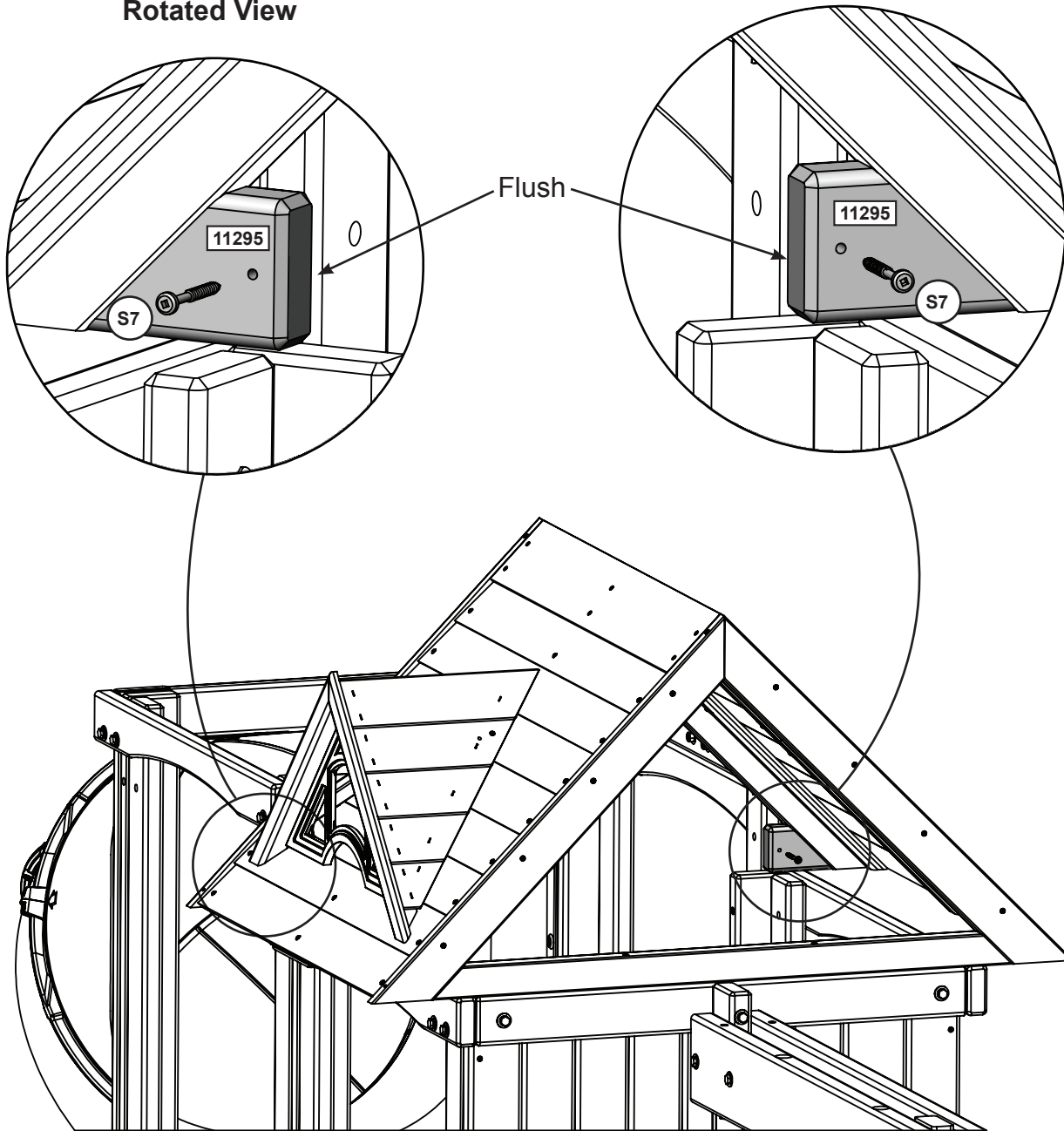


Hardware

2 x  #8 x 76.2 mm (#8 x 3")



Rotated View



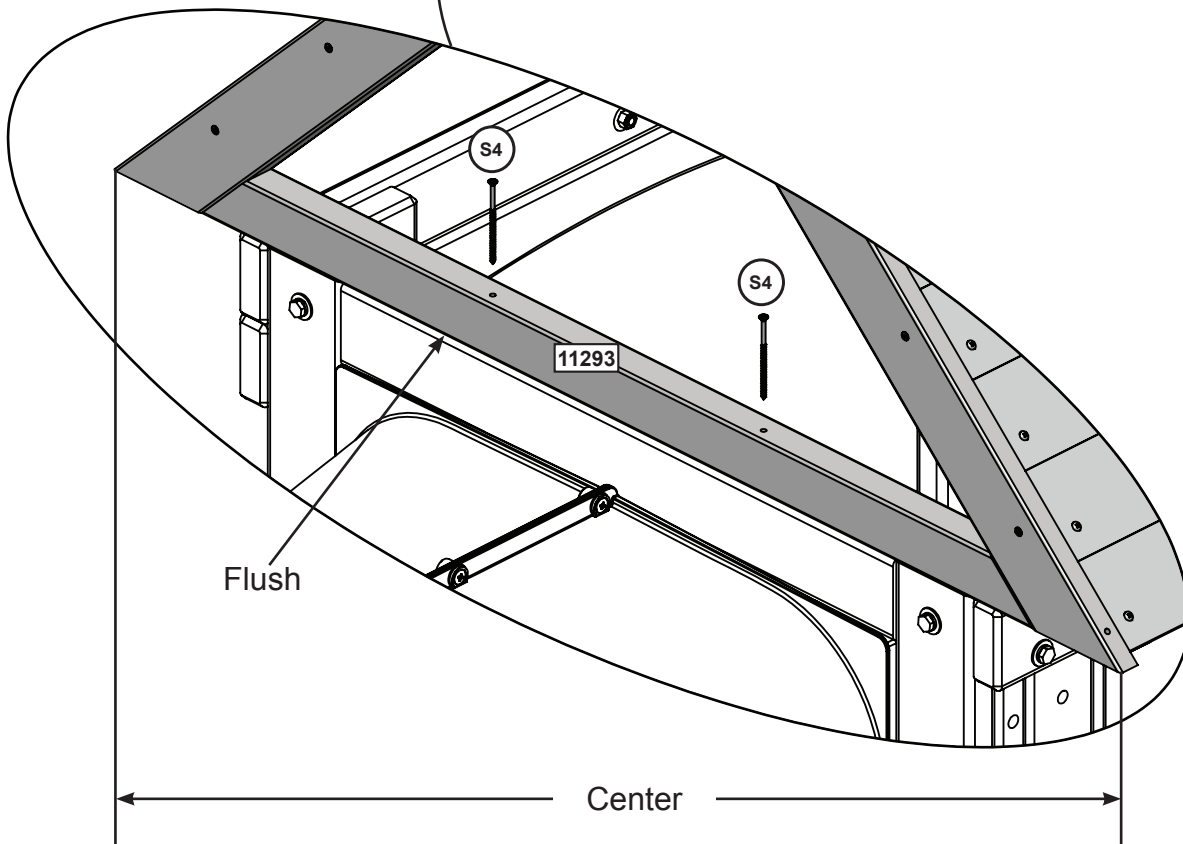
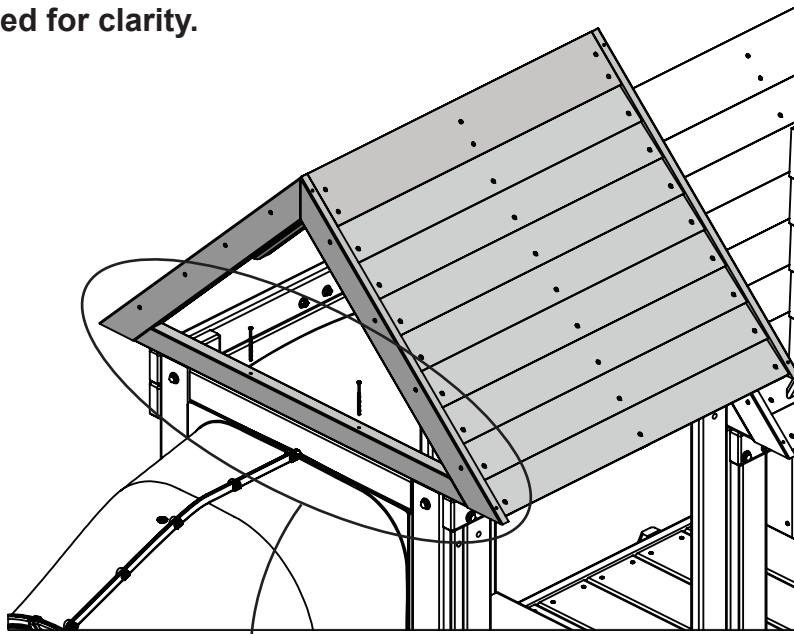
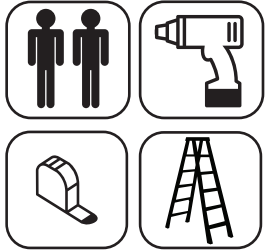
Note: Structure partly removed for clarity.

Hardware

2 x  #12 x 50.8 mm (#12 x 2")



Note: Structure partly removed for clarity.

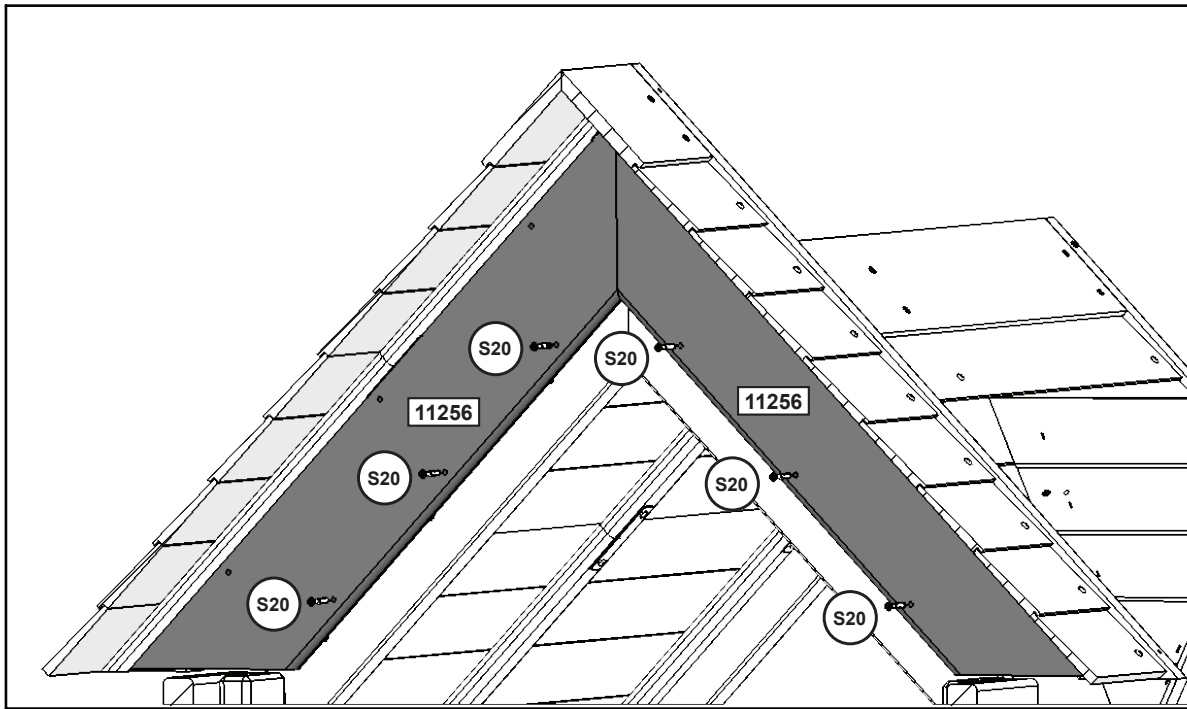
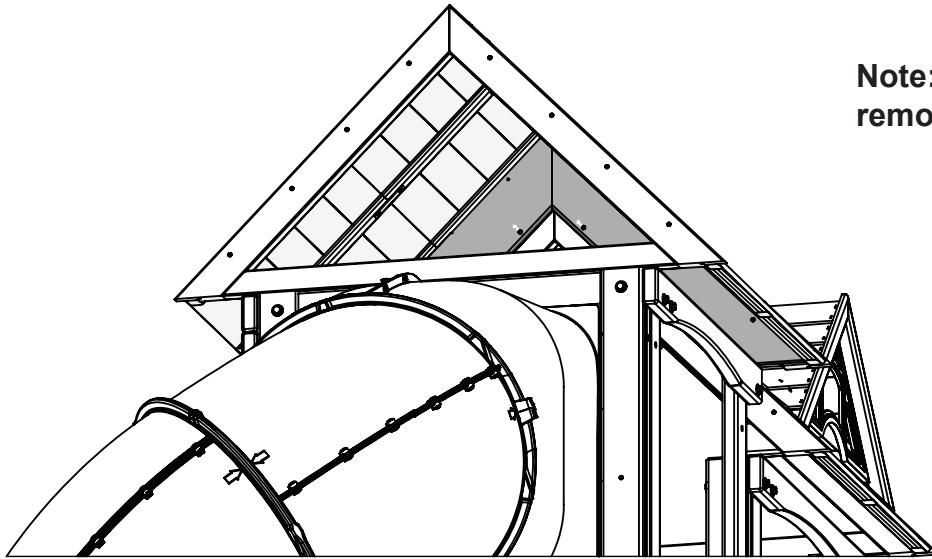


Hardware

2 x  #8 x 76.2 mm (#8 x 3")




Note: Structure partly removed for clarity.



Inside View

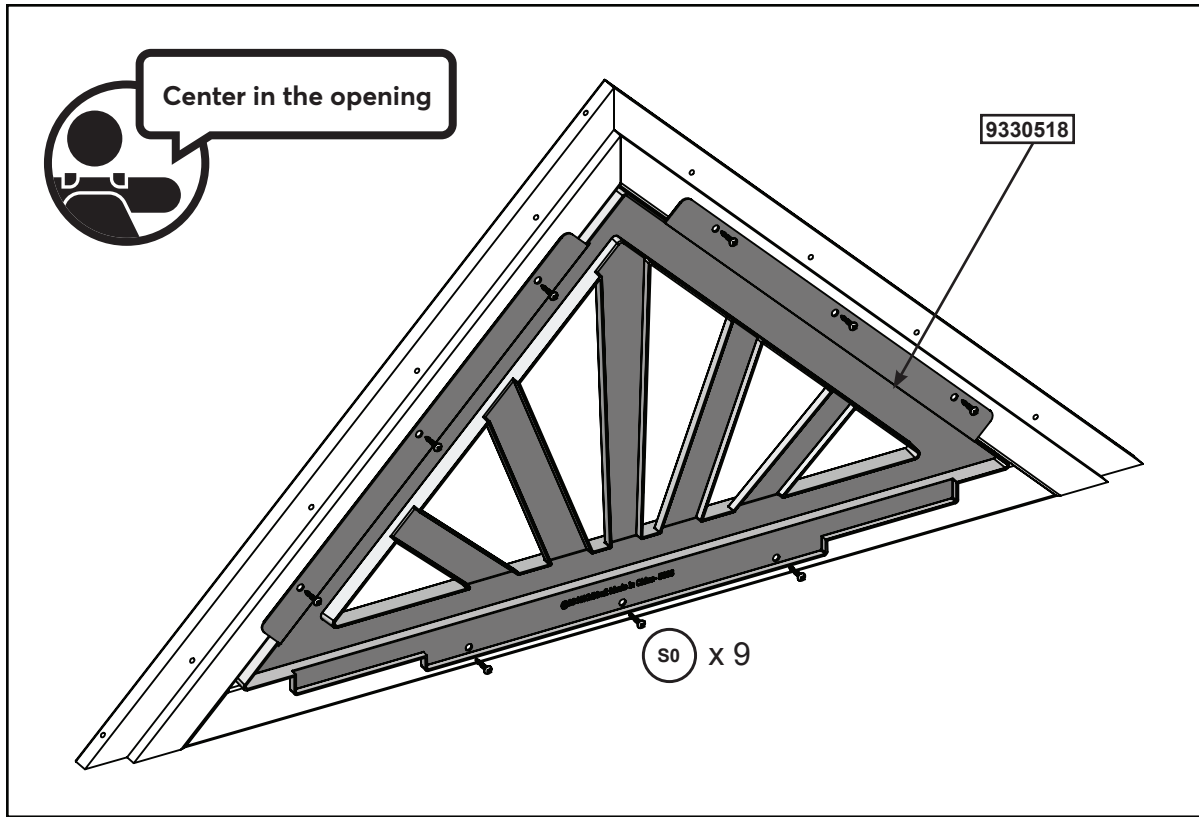
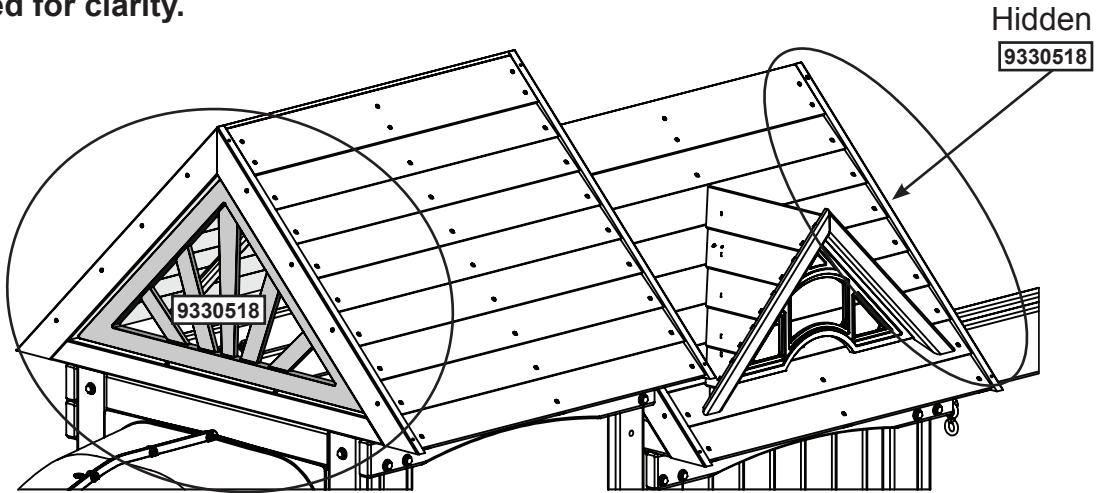
Hardware

6 x  #8 x 34.9 mm (#8 x 1-3/8")





Note: Structure partly removed for clarity.



Inside View

Hardware

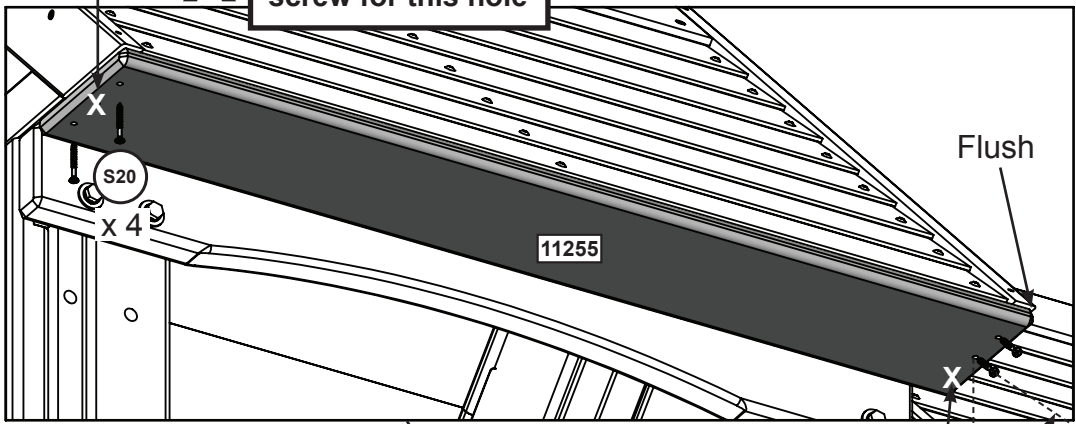
18 x S0 #8 x 22.2 mm (#8 x 7/8")

Other Parts

2 x 9330518

101

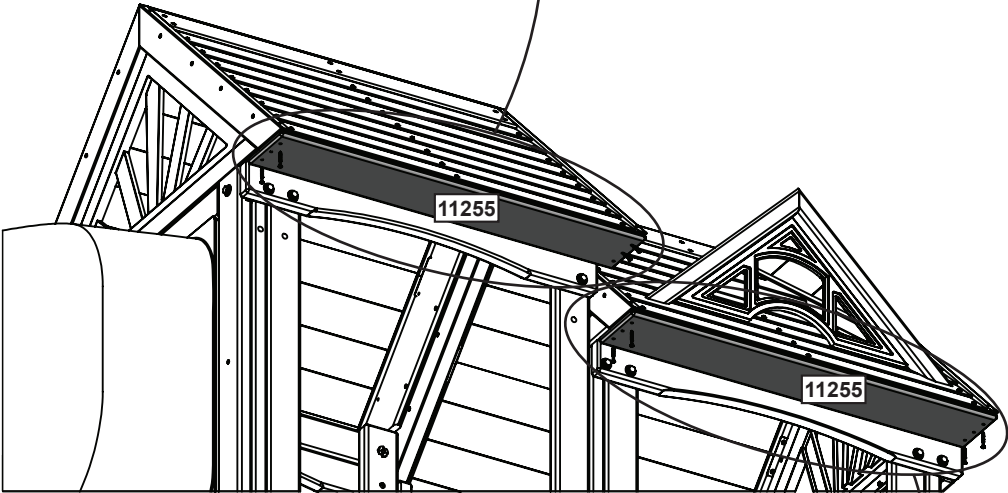
X Do not attach screw for this hole



Underneath View

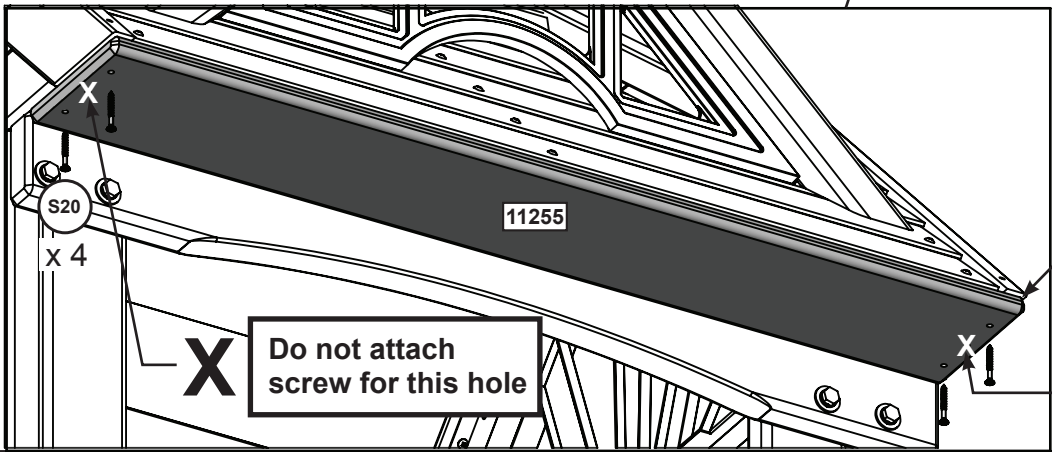
X Do not attach screw for this hole

45°



Note: Structure partly removed for clarity.

Underneath View



Flush

X Do not attach screw for this hole

X Do not attach screw for this hole

Wood Parts

2 x 11255 15.9 mm x 136.5 mm x 837.1 mm (5/8" x 5 3/8" x 32 15/16")

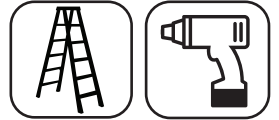
Hardware

8 x S20 #8 x 34.9 mm (#8 x 1-3/8")

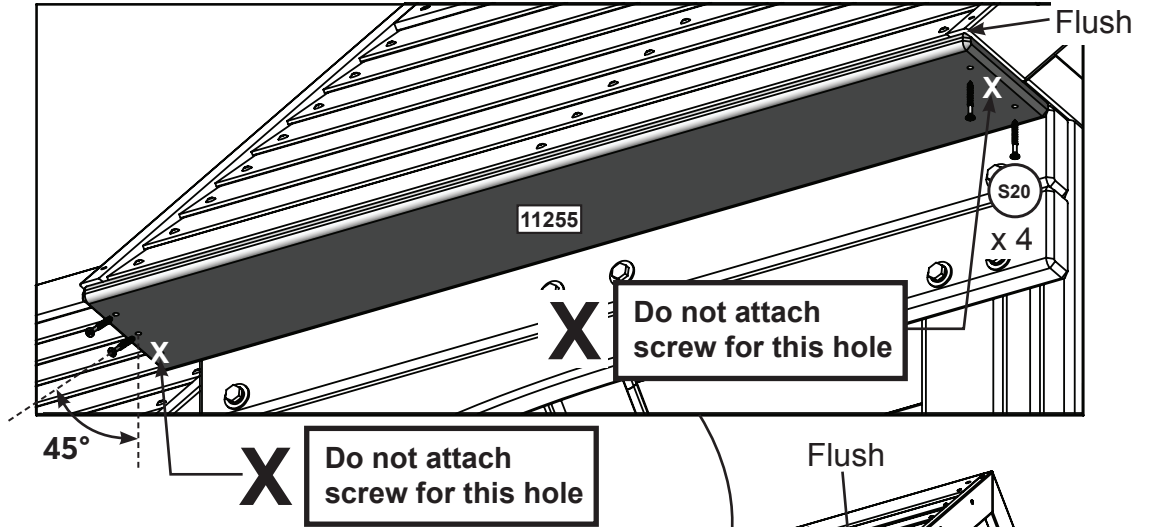
europecustomerservice@kidkraft.com
+31 20 305 8620
M-F from 09:00 to 17:30 (GMT+1)

parts.kidkraft.eu

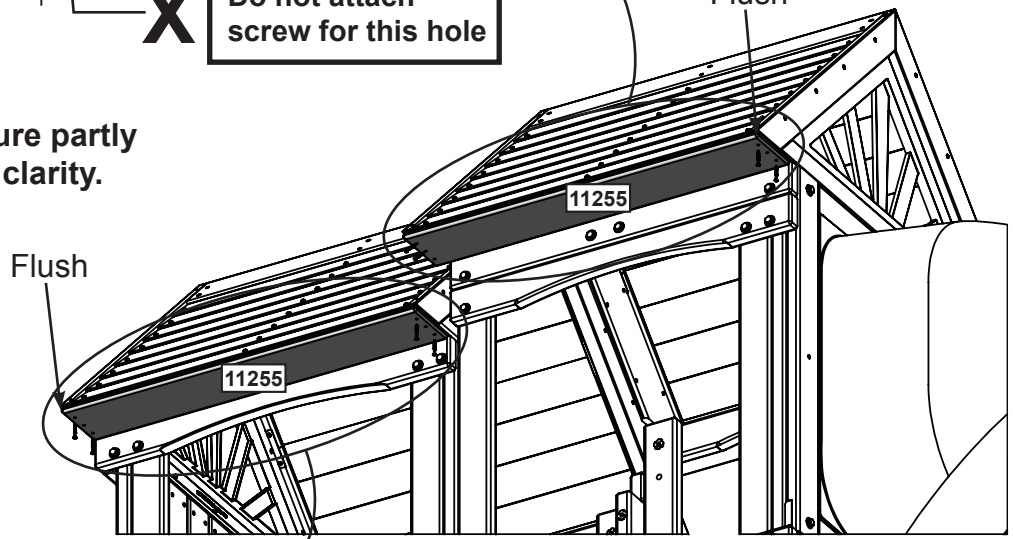




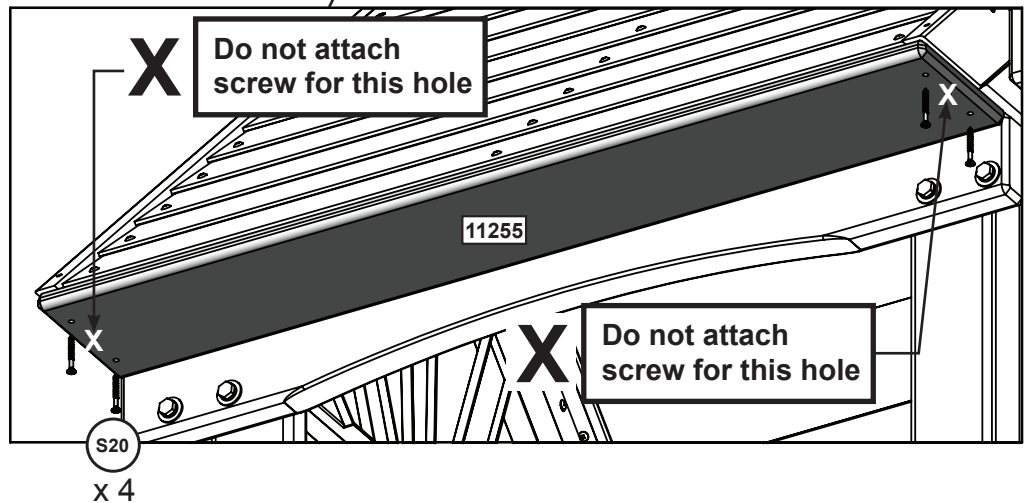
Underneath View



Note: Structure partly removed for clarity.



Underneath View



Wood Parts

2 x **11255** 15.9 mm x 136.5 mm x 837.1 mm (5/8" x 5 3/8" x 32 15/16")

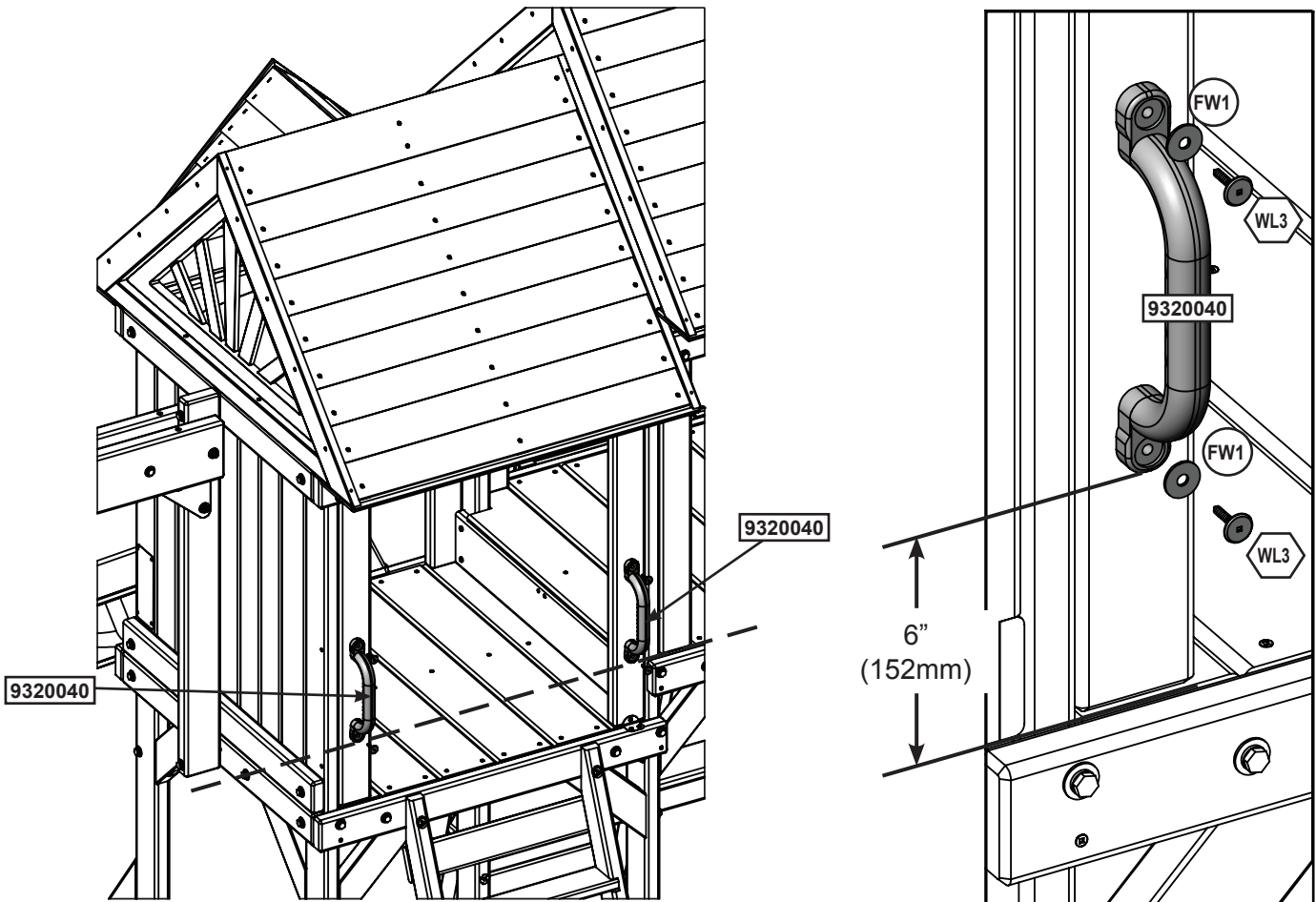
Hardware

8 x **S20** #8 x 34.9 mm (#8 x 1-3/8")

Pre-drill each hole using a 1/8" drill bit for WL3.



Note: Structure partly removed for clarity.



Hardware

4 x 6.4 x 34.9 mm (1/4 x 1-3/8") (FW1)

Other Parts

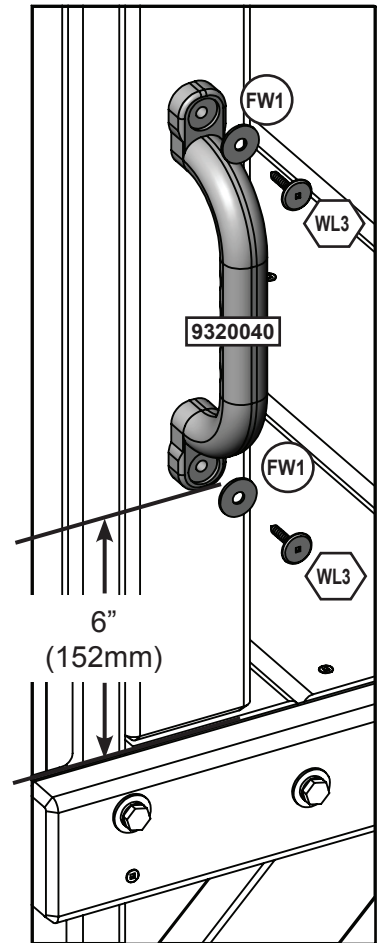
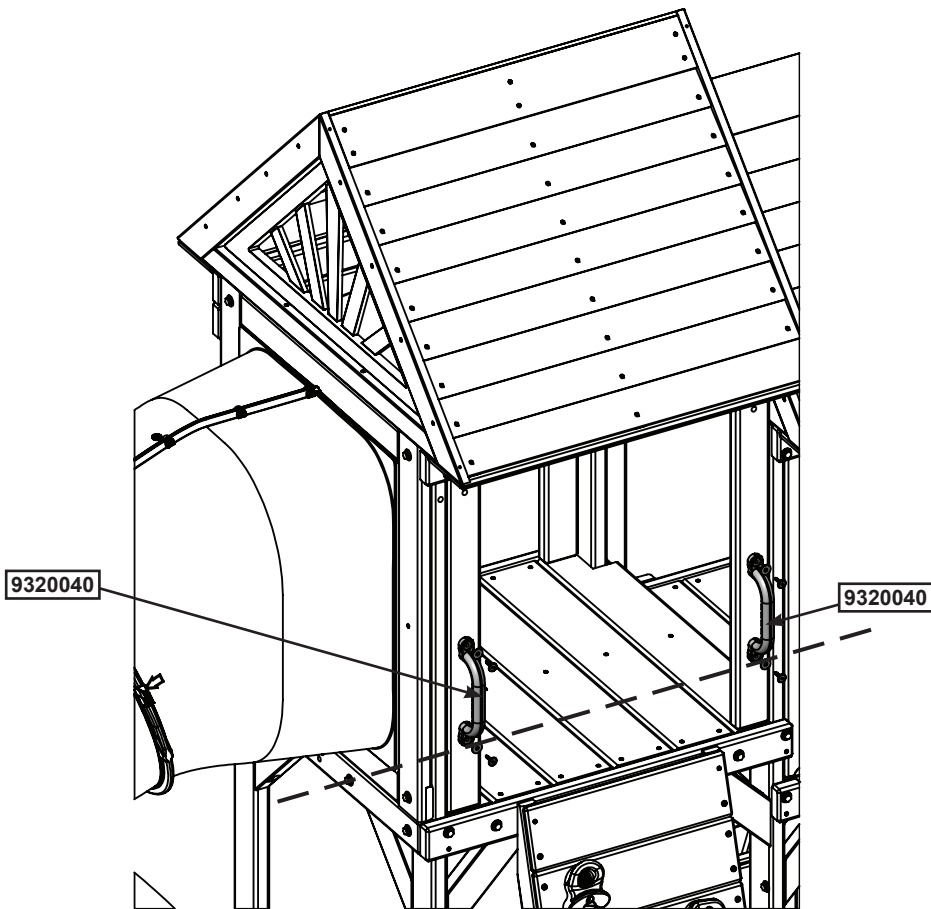
2 x 9320040



Pre-drill each hole using a 1/8" drill bit for WL3.



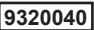
Note: Structure partly removed for clarity.



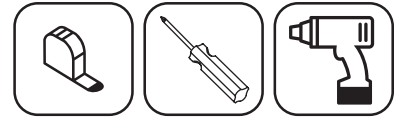
Hardware

4 x  6.4 x 34.9 mm (1/4 x 1-3/8") (FW1)

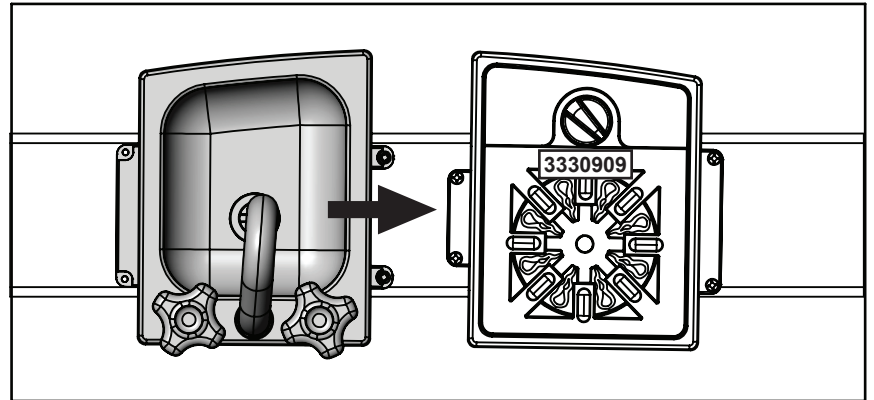
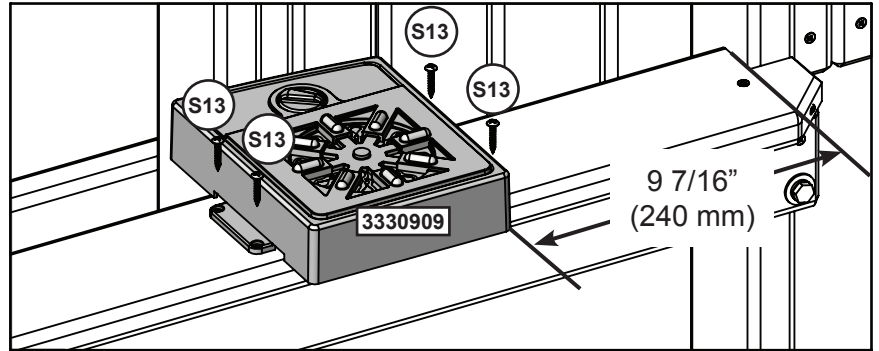
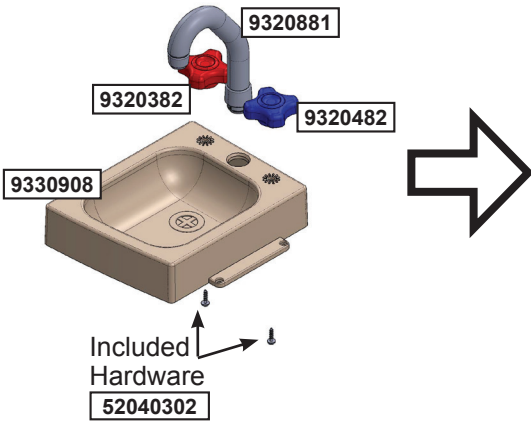
Other Parts

2 x 

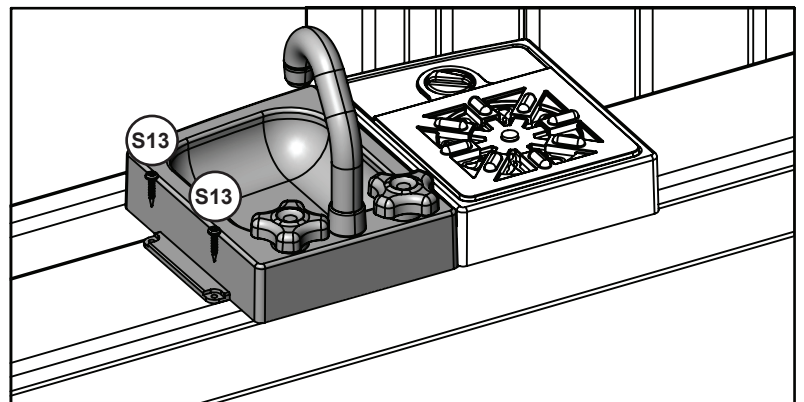
105



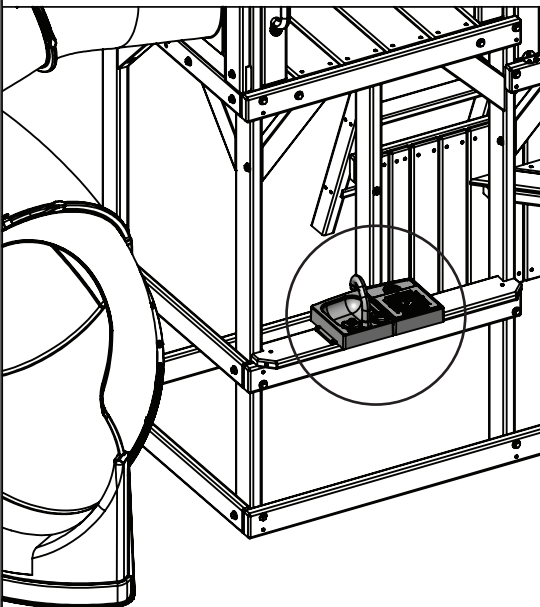
Important: Use a hand held screw driver and **DO NOT** over tighten.



Slide [9330908] tight beside [3330909] on the left.



Note: Structure partly removed for clarity.



Hardware

6 x (S13) #6 x 15.9 mm (#7 x 5/8")

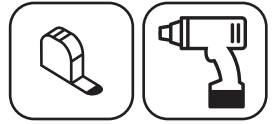
Other Parts

1 x 3330909	2 x 52040302
1 x 9320881	1 x 9320382
1 x 9330908	1 x 9320482

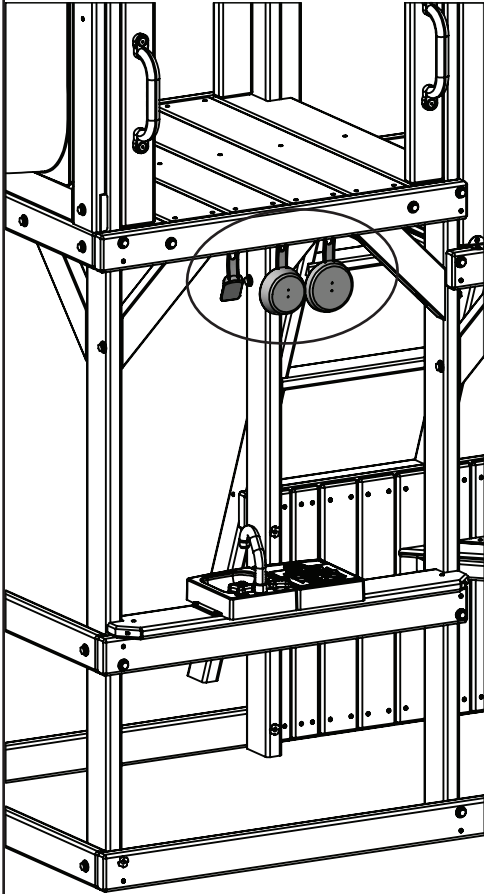
europecustomerservice@kidkraft.com
 +31 20 305 8620
 M-F from 09:00 to 17:30 (GMT+1)

parts.kidkraft.eu

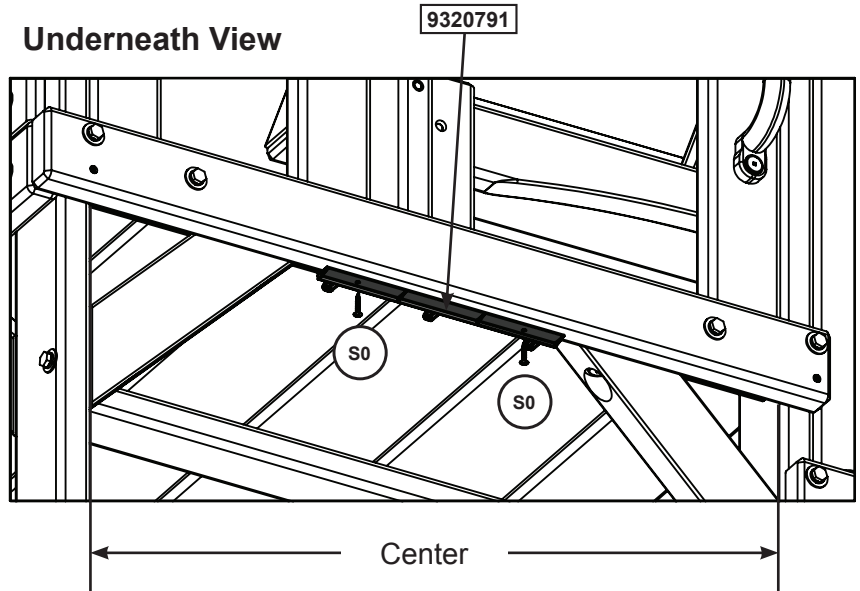




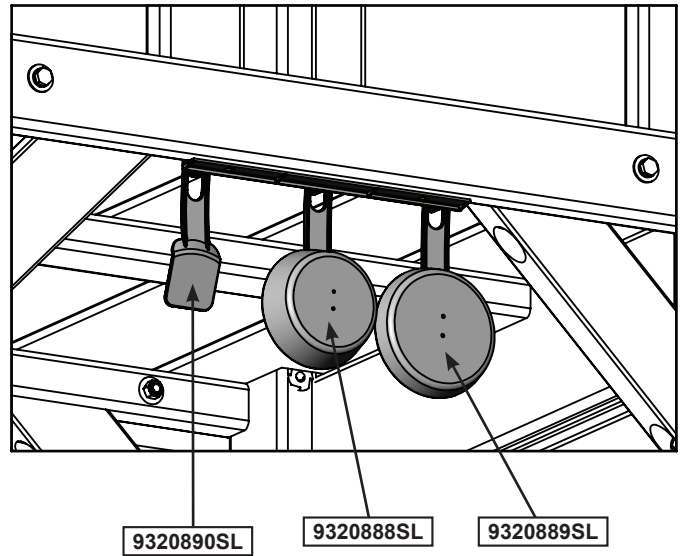
Note: Structure partly removed for clarity.



Underneath View




Underneath View



Hardware

2 x  #8 x 22.2 mm (#8 x 7/8")

Other Parts

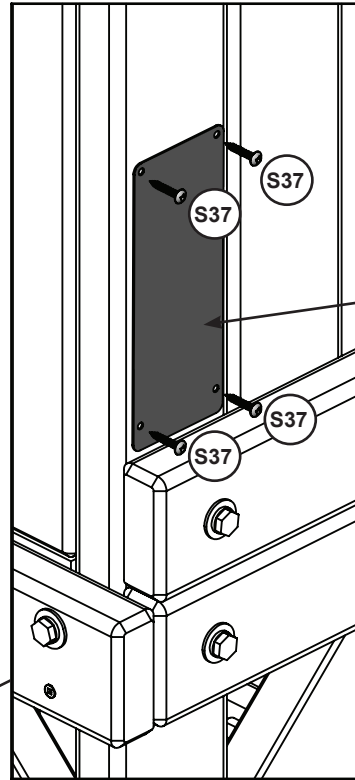
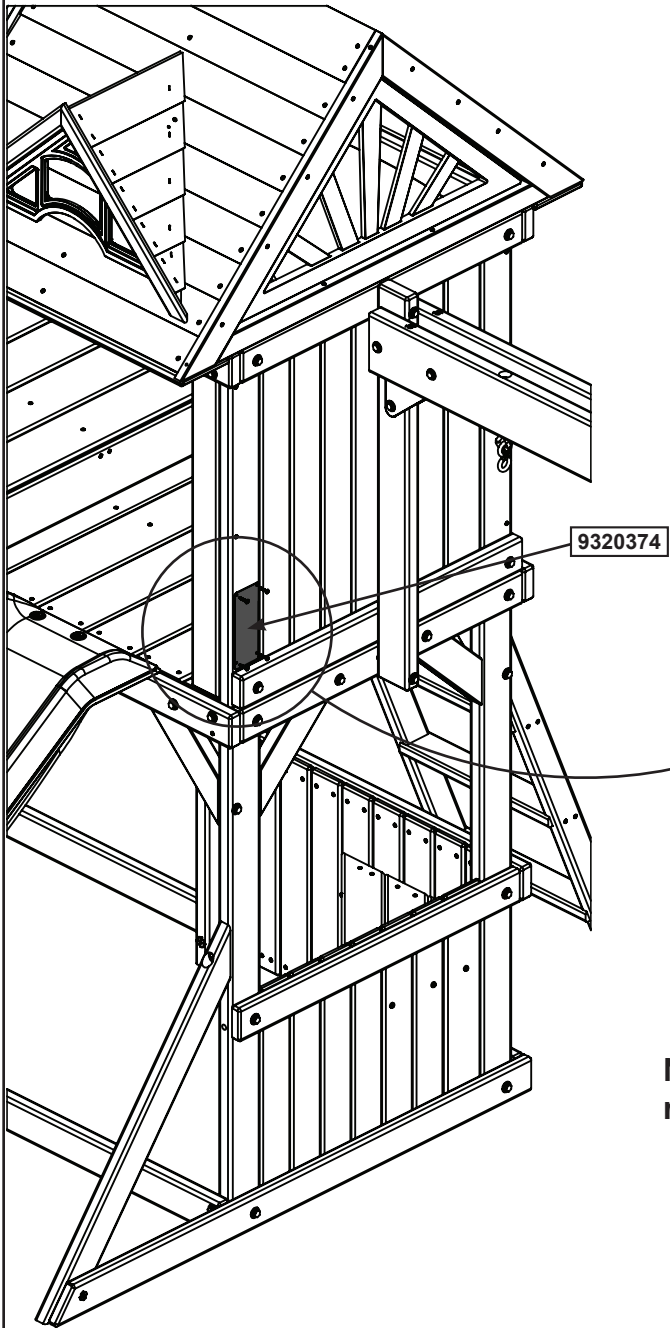
- 1 x  1 x 
- 1 x 
- 1 x 

107

ATTACH THIS WARNING & I.D. PLAQUE TO THIS LOCATION ON YOUR PLAY EQUIPMENT!



This provides warnings concerning safety and important contact information. A Tracking Number is provided to allow you to get critical information or order replacement parts for this specific model.



9320374



Note: Structure partly removed for clarity.

Hardware

4 x **S37** #7 x 15.9 mm (#7 x 5/8")

Other Parts

1 x **9320374**

europecustomerservice@kidkraft.com
+31 20 305 8620
M-F from 09:00 to 17:30 (GMT+1)

parts.kidkraft.eu



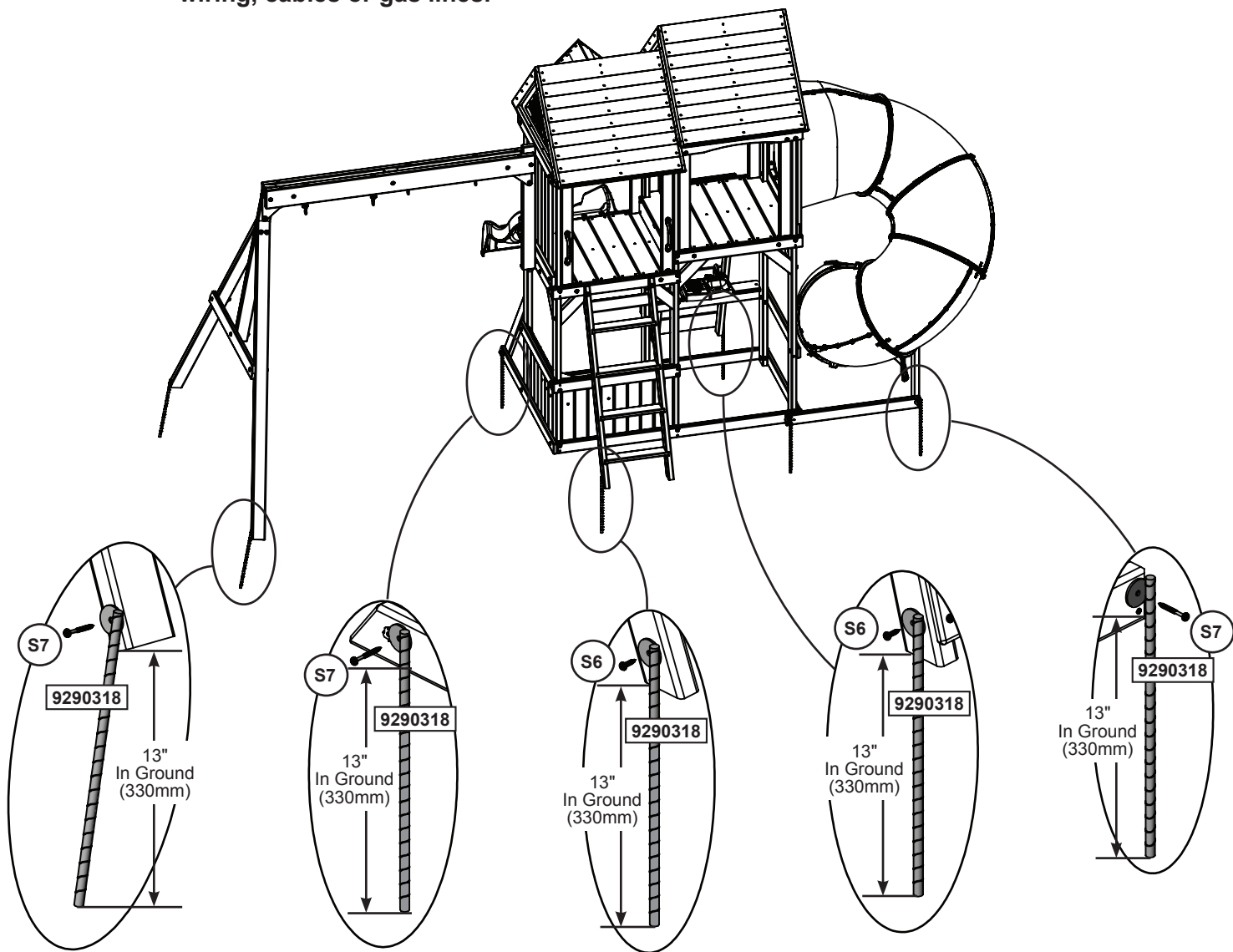
108 MOVE SWING SET TO FINAL LOCATION PRIOR TO STAKING



FINAL LOCATION MUST BE LEVEL GROUND

Warning! To prevent tipping and avoid potential injury, stakes must be driven 13" (330mm) into ground. Digging or driving stakes can be dangerous if you do not check first for under-ground wiring, cables or gas lines.

SEE COVER PAGE FOR SAFETY CLEARANCE



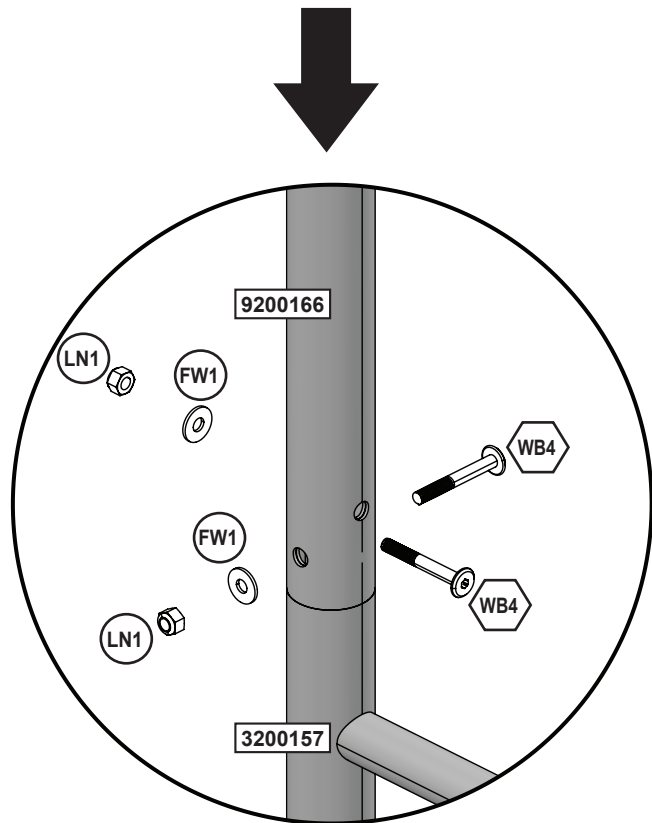
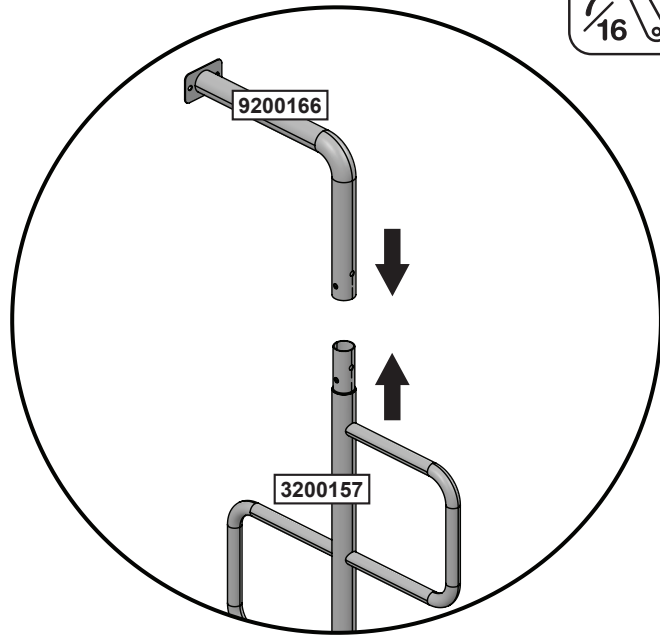
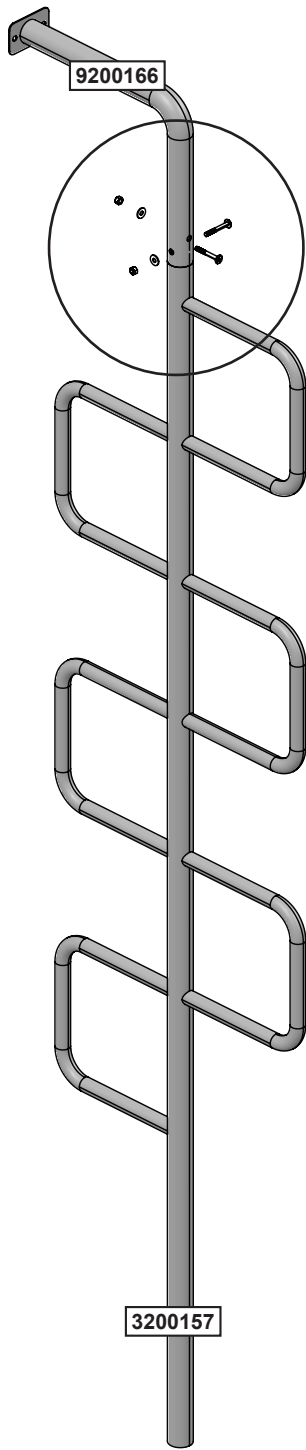
Rotated View

Hardware

- 2 x **S6** #12 x 25.4 mm (#12 x 1")
- 5 x **S7** #12 x 50.8 mm (#12 x 2")

Other Parts

- 7 x **9290318**



Hardware

2 x 6.4 mm x 50.8 mm (1/4 x 2") (FW1 ,LN1)

Other Parts

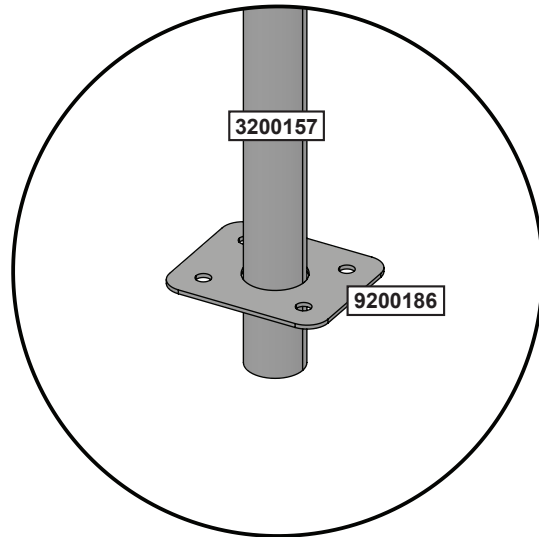
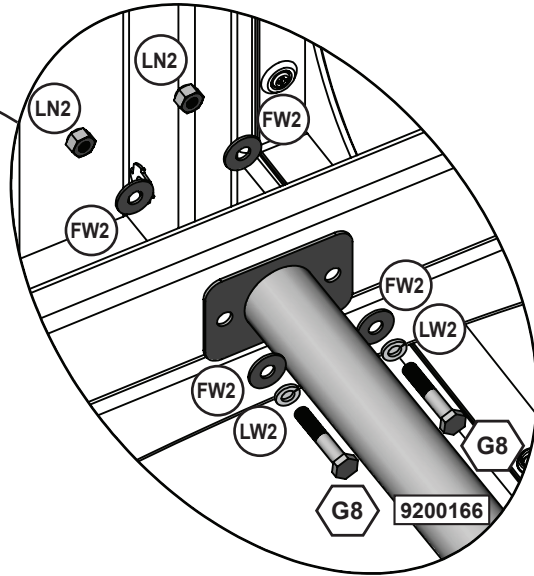
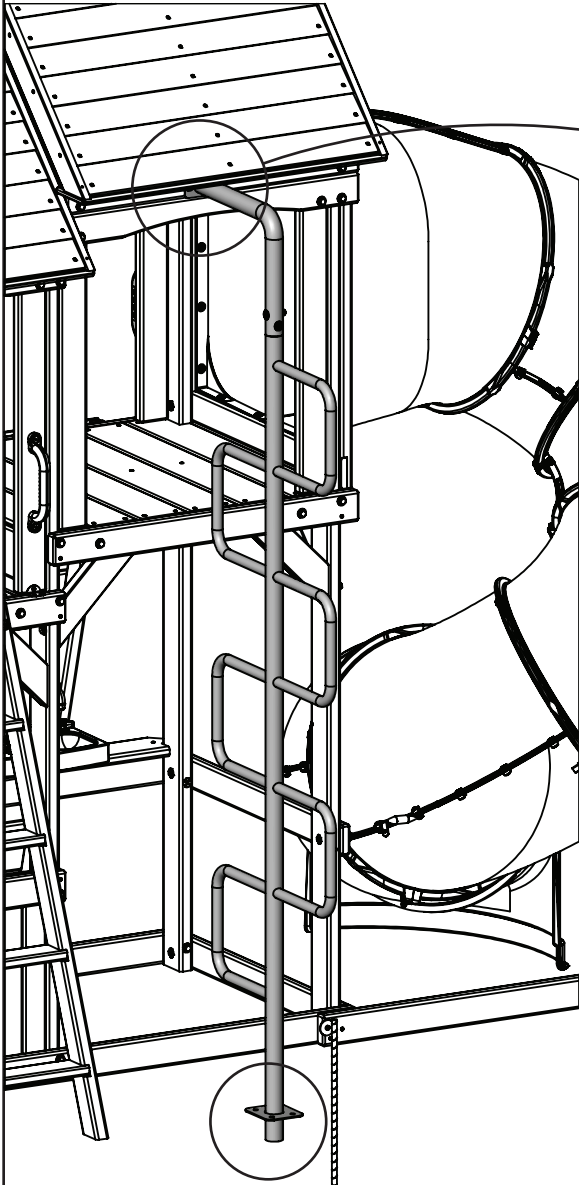
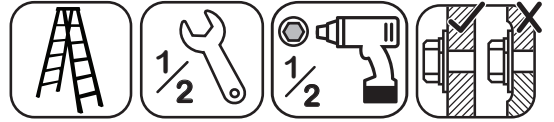
1 x

1 x



110

Note: Structure partly removed for clarity.



Make sure the Fireman Pole is straight and that the bottom of the pole is inserted into the ground as needed.



Hardware

2 x 7.9 x 50.8 mm (5/16 x 2") (LW2, FW2 x 2, LN2)

Other Parts

1 x 9200186



parts.kidkraft.com

customerservice@kidkraft.com
 1.800.933.0771
 972.385.0100

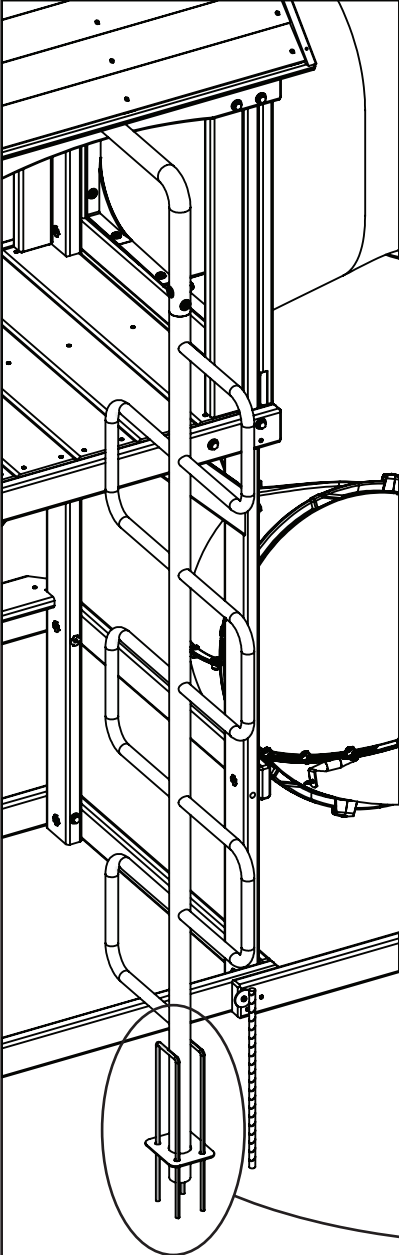
111



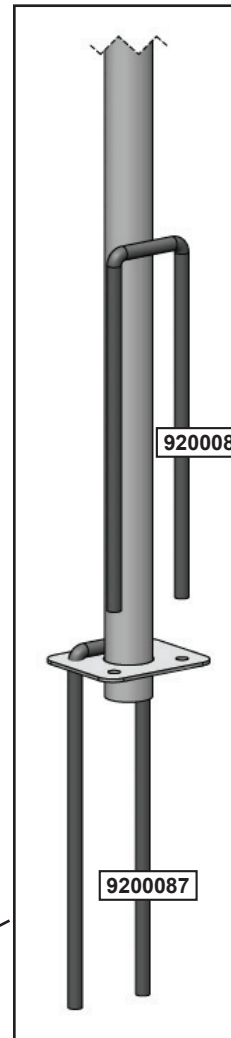
Warning! To prevent tipping and avoid potential injury, stakes must be driven 13”(330mm) into ground. Digging or driving stakes can be dangerous if you do not check first for under-ground wiring, cables or gas lines.



Note: Structure partly removed for clarity.



Hammer U-Style Ground Stakes into the holes in the plate until they are fully anchored into the ground.

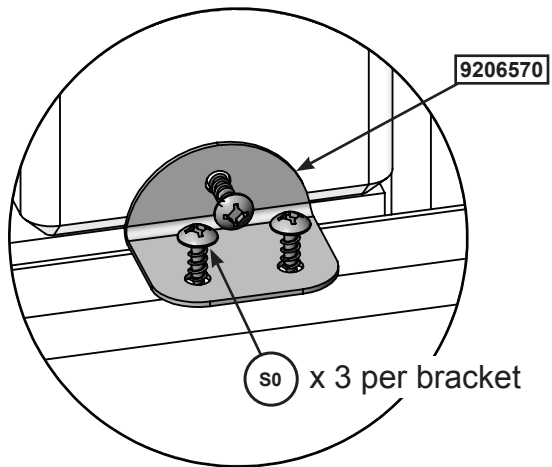
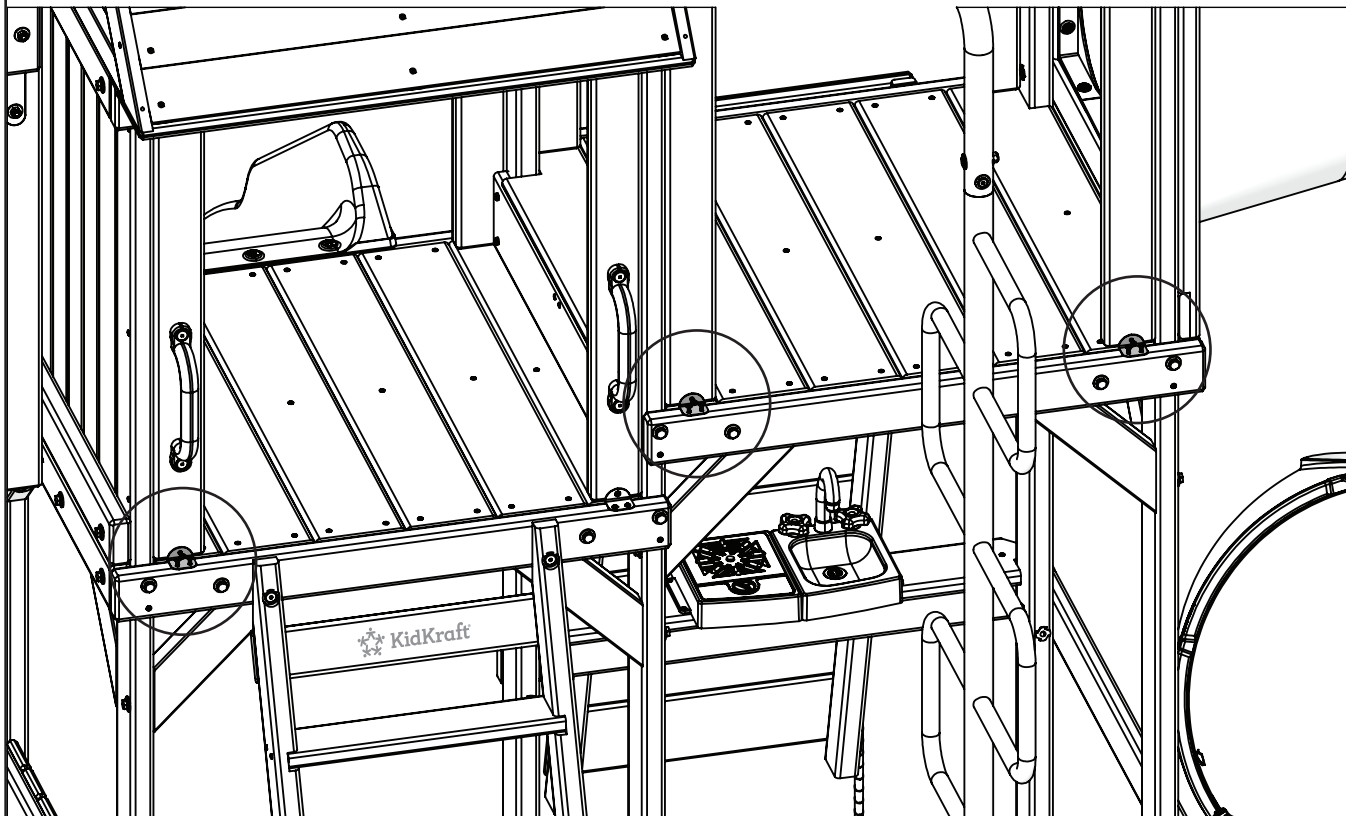


Other Parts

2 x **9200087**



Note: Structure partly removed for clarity.



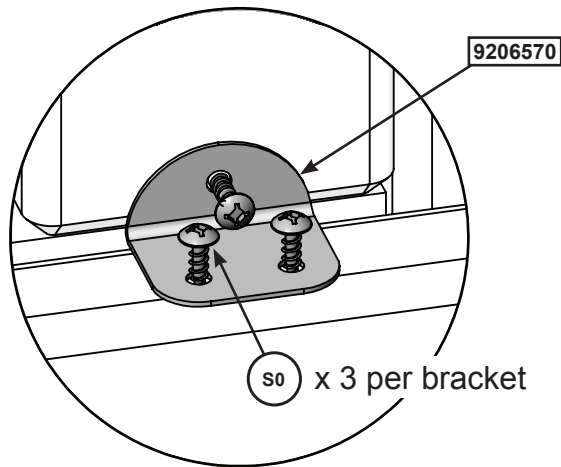
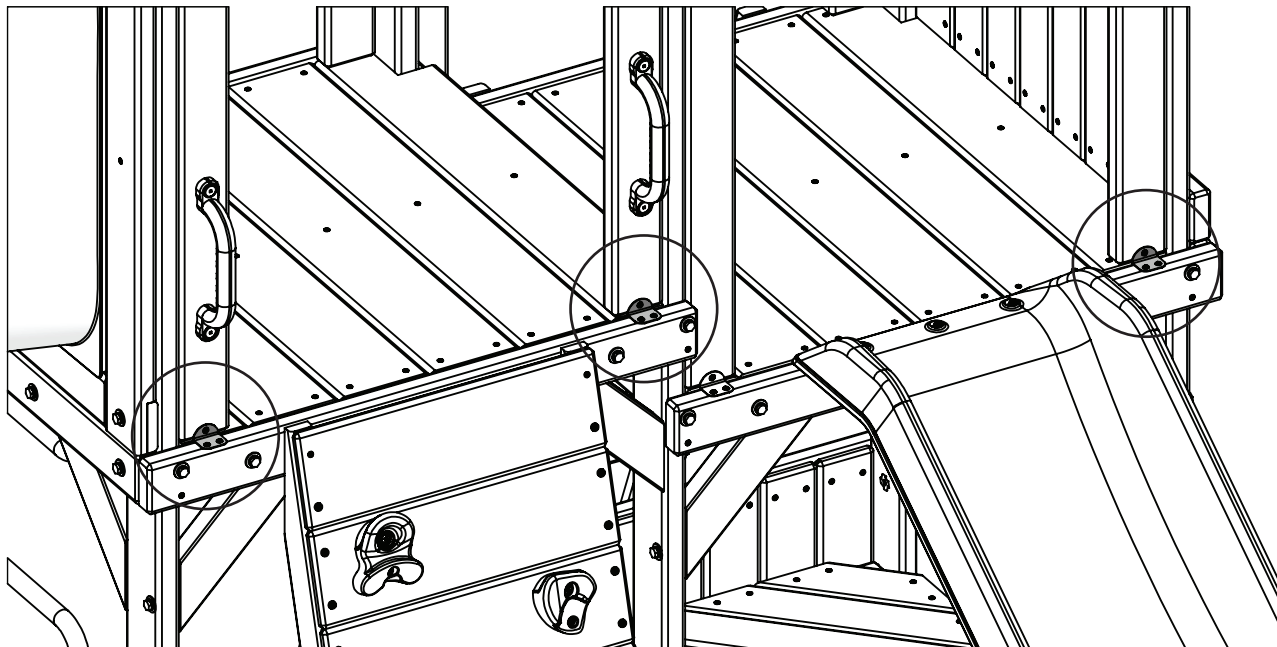
Hardware

9 x **S0** #8 x 22.2 mm (#8 x 7/8")

Other Parts

3 x **9206570**

Note: Structure partly removed for clarity.



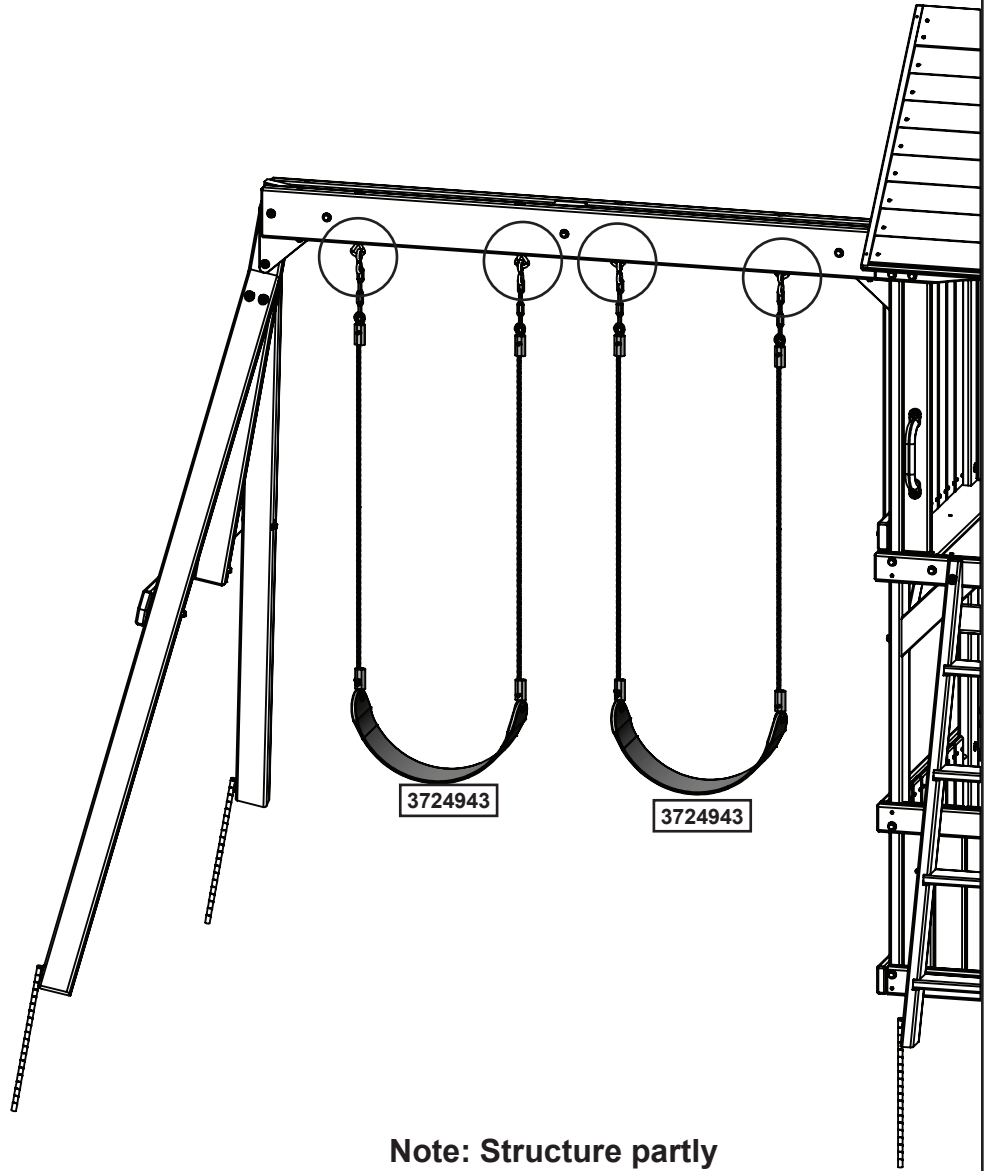
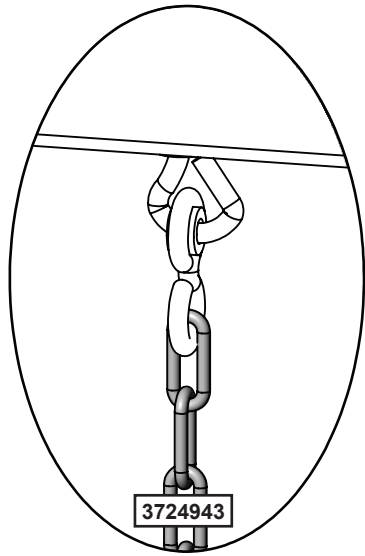
Hardware

9 x S0 #8 x 22.2 mm (#8 x 7/8")

Other Parts

3 x 9206570





Note: Structure partly removed for clarity.

Other Parts

2 x **3724943**

