

Series LF777S, LFS777

Wye-Pattern Lead Free* Bronze Strainers

Sizes 1/4" – 4" (8 – 100mm)

LEAD FREE Series LF777, LFS777 Wye-Pattern Lead Free* cast copper silicon alloy Strainers are designed to protect system components from dirt, rust and other damaging debris in the piping system. This series features a solid retainer cap with gasket. The LF777 and LFS777 features Lead Free* construction to comply with Lead Free* installation requirements.

Features

- Lead Free* cast copper silicon alloy body
- Wye-pattern
- Solid retainer cap with gasket

Models

LF777 – 1/4" – 4" (8 – 100mm) threaded connections

LFS777 – 1/2" – 2" (15 – 50mm) solder connections

Pressure – Temperature

Maximum Working Pressure:

1/4" – 3" (8-75mm) 400psi (27.6 bar) WOG @ 210°F (99°C),
125psi (8.6 bar) WSP @ 353°F (178°F)

4" (100mm) 300psi (20.7 bar) WOG @ 210°F (99°C),
125psi (8.6 bar) WSP @ 353°F (178°F)

Dimensions – Weights

LF777

SIZE (DN)		DIMENSIONS				WEIGHT	
in.	mm	A		B		lbs.	kgs.
		in.	mm	in.	mm		
1/4	8	2 1/16	68	1 1/16	43	1.7	0.77
3/8	10	2 1/16	68	1 1/16	43	1.7	0.77
1/2	15	3	76	2	51	1.7	0.77
3/4	20	3 5/16	84	2 5/16	59	1.7	0.77
1	25	4 1/2	114	2 5/16	59	2.7	1.22
1 1/4	32	5 1/8	130	3 1/8	79	3.0	1.36
1 1/2	40	5 7/8	149	3 3/4	95	4.0	1.81
2	50	6 3/16	157	4 7/8	124	7.4	3.36
2 1/2	65	8 1/8	206	4 15/16	125	12.0	5.44
3	75	10 1/8	257	6 1/4	170	24.0	10.90
4	100	13	325	10 1/2	267	41.0	18.60

LFS777

SIZE (DN)		DIMENSIONS				WEIGHT	
in.	mm	A		B		lbs.	kgs.
		in.	mm	in.	mm		
1/2	15	3 3/8	86	2 1/16	52	1.5	0.68
3/4	20	3 3/4	95	2 1/16	63	1.6	0.73
1	25	5	127	3	76	2.5	1.13
1 1/4	32	5 5/8	143	3 1/4	82	2.8	1.25
1 1/2	40	6 7/16	164	3 13/16	97	4.0	1.81
2	50	7 1/2	191	4 5/8	118	7.4	3.39



LF777



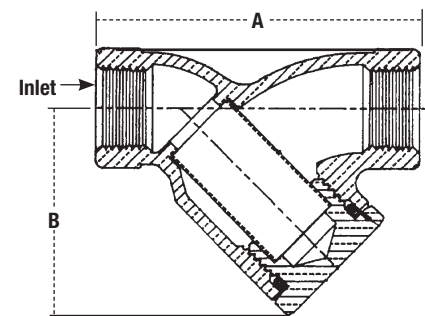
LFS777

BAA/ARRA Compliant**

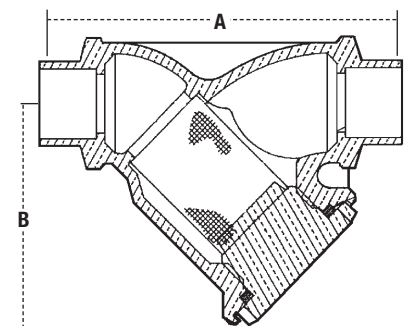
**This product complies with the Buy American Act and The American Recovery and Reinvestment Act. For more information, visit watts.com.

*The wetted surface of this product contacted by consumable water contains less than 0.25% of lead by weight.

For additional information, reference literature ES-LF777.



LF777



LFS777