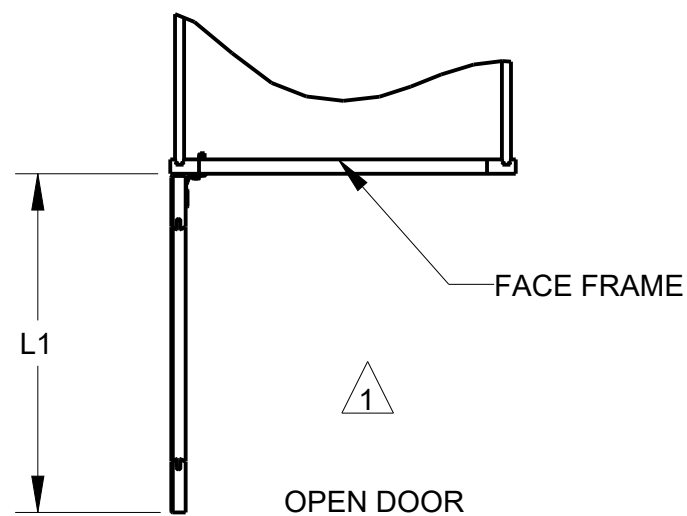
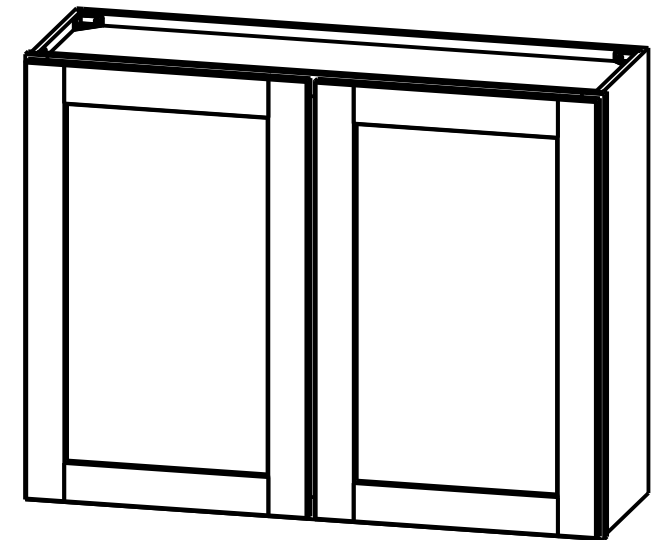
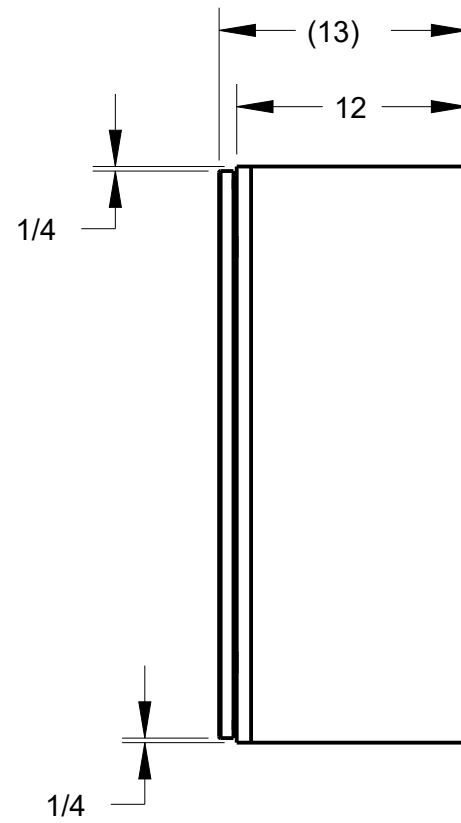
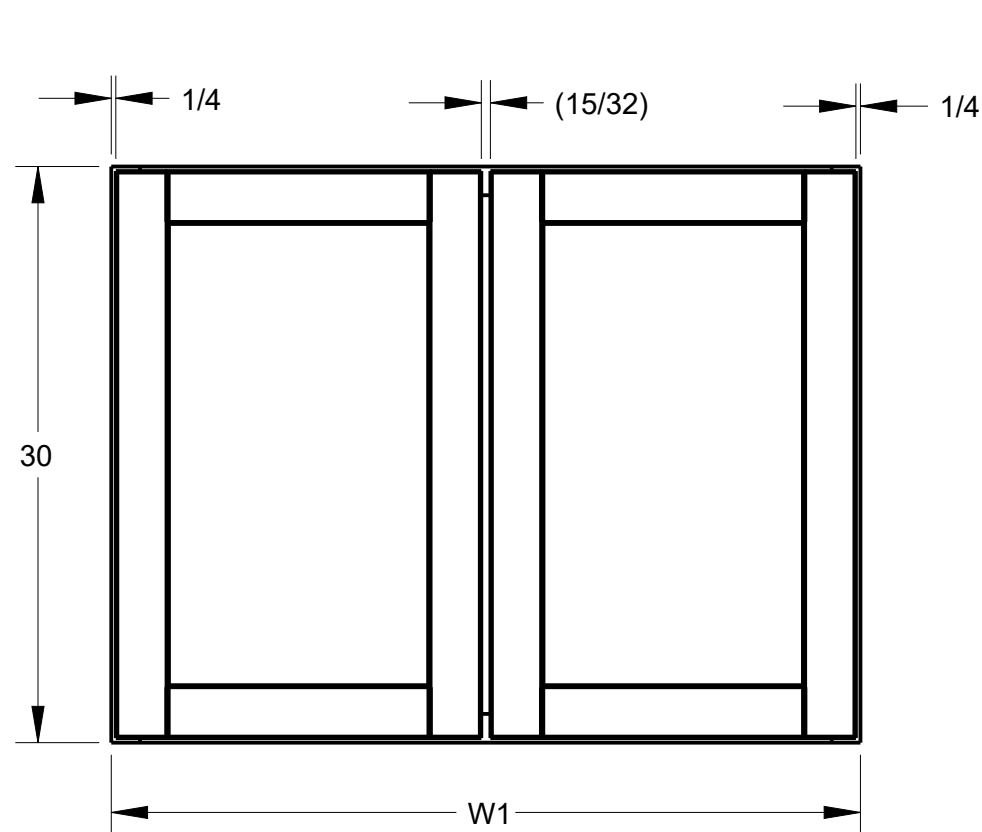


NOTE:

1 OPEN DOOR VIEW INCLUDES HINGE SPACE OFFSET.

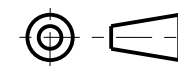
PRODUCT	W1	L1	DOOR SIZE
			ROUNDED TO THE NEAREST 1/32
W3930	39"	19 3/16"	19 1/32" X 29 17/32"
W4230	42"	20 11/16"	20 17/32" X 29 17/32"



PRODUCT SHOWN 3930

DOCUMENT STATUS Released

THIRD ANGLE PROJECTION



MATERIAL

FINISH

N/A

N/A

hardware resources

DESCRIPTION

W3930, W4230 FULL OVERLAY

DRAWN BY
E.GOLESTANYAN

DATE
20MAR2020

DESIGNED BY
NORTHPOINT

DATE

APPROVED BY
GREG DAVIS

DATE
30MAR2020

DRAWING NUMBER
W3930-W4230_FULL_OVERLAY

REV
A

SIZE
A3

SCALE
0.100

SHEET
1 / 1

HARDWARE RESOURCES RESERVES THE RIGHT TO CHANGE SPECIFICATIONS WITHOUT NOTICE.
IN CASE OF A DISCREPANCY, ACTUAL PART GEOMETRY SUPERSEDES THIS DOCUMENT.

THE INFORMATION CONTAINED WITHIN THIS DRAWING IS THE SOLE PROPERTY OF HARDWARE RESOURCES INC. ANY REPRODUCTION IN PART OR WHOLE WITHOUT WRITTEN PERMISSION OF HARDWARE RESOURCES INC. IS PROHIBITED.