

---

## CONTENTS

DIMMER RECOMMENDATIONS / MODEL NUMBERS - **2**

TOOLS NEEDED / PARTS - **3**

NOTES - **4**

REPLACING ENDCAPS - **5**

ASSEMBLING THE BRACKETS - **5**

MOUNTING THE BRACKETS TO THE CABINET - **6**

MOUNTING THE BRACKETS BETWEEN CABINETS FOR GANGING- **7**

WIRING THE ELECTRICAL ENCLOSURE - **9**

RECESSED INSTALLATION AND ELECTRICAL WIRING - **9**

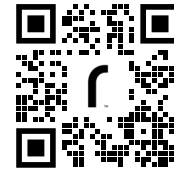
SURFACE INSTALLATION AND ELECTRICAL WIRING - **10/12**

FINAL ASSEMBLY - **12**

PRODUCT ALIGNMENT - **14/15**

USE & MAINTENANCE / WARRANTY - **16**

Scan the QR code to see the entire Inline Series of lights.



Use the camera app on your mobile device to look at this and other QR codes. This will allow you to quickly access web pages and other relevant documents.

---

## GENERAL INFORMATION

This instruction sheet contains information on how to install the Inline Light(s). This series comes in many variations. Please refer to the box or product label for the specific model number. A key is provided on page 2.

Save these instructions for future use and reference. An improper installation voids the warranty. Carefully inspect the light(s) for damage. Installed products cannot be returned.

If you experience any problems with your light(s), contact your dealer or Robern directly.

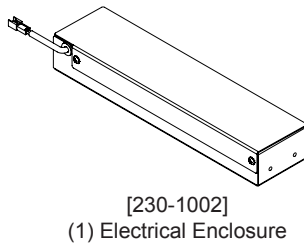
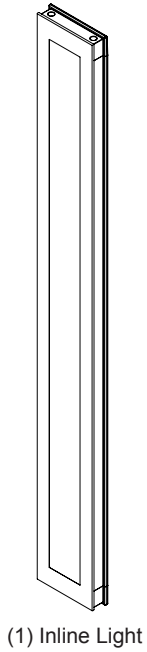
Limited Warranty — One Year Term



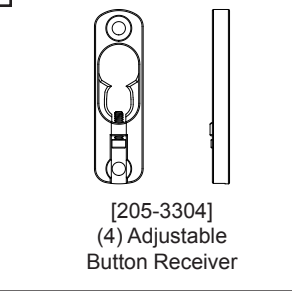
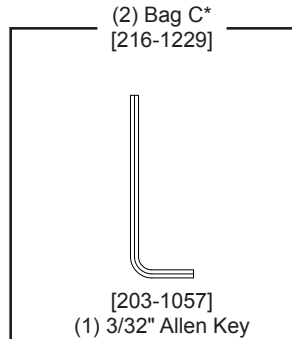
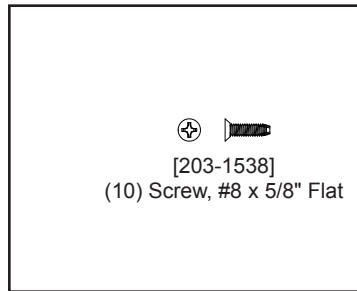
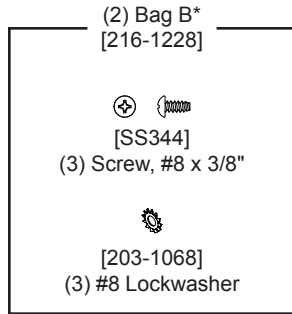
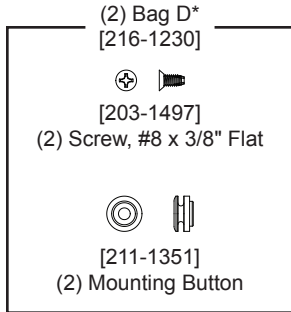
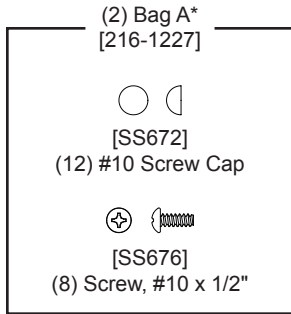
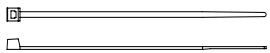
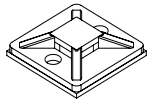
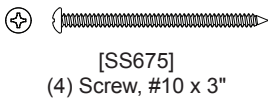
# TOOLS NEEDED



# PARTS



## Hardware Bag\* [216-1232]





\* Depending on installation, not all parts will be used


---

## NOTES

Unpack the Lights. Check the box thoroughly for all hardware and loose parts. Carefully inspect the fixture for damage.

 **DANGER:** Risk of personal injury. To avoid possible electrical shock, the electricity must be turned off at the circuit breaker or fuse box before attempting any installation procedure.

 **DANGER:** Risk of personal injury. To avoid possible electrical shock, the light fixture must be properly grounded.

 **CAUTION:** Grounding instructions for permanently connected products: This product must be connected to a grounded, metal permanent wiring system or an equipment-grounding conductor must be run with the circuit conductors and connected to the equipment-grounding terminal or lead on the product. All wiring should be done by a qualified licensed electrician.

**IMPORTANT:** Power for the lights should be provided separately from the electricity to the cabinet so that when lights are turned off, cabinet electricity remains on.

**NOTE:** Requires minimum 120 VAC 15 amp circuit.

**NOTE:** Requires an approved compatible dimmer for installation (not included). Refer to the dimmer recommendation on page 2.

Observe all applicable electrical codes and building codes. Wire the light fixtures in accordance with the electrical codes.

This fixture is for indoor use only.

This installation may require the assistance of more than one person depending on your Light/Cabinet configuration.

# **DANGER - RISK OF SHOCK - DISCONNECT POWER BEFORE INSTALLATION**

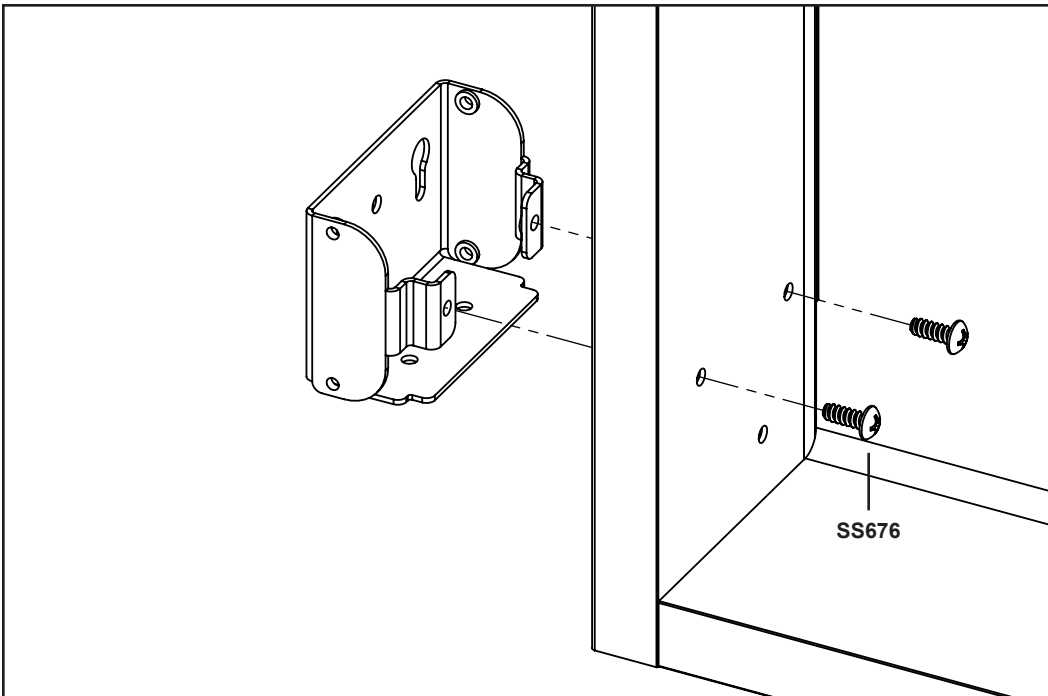
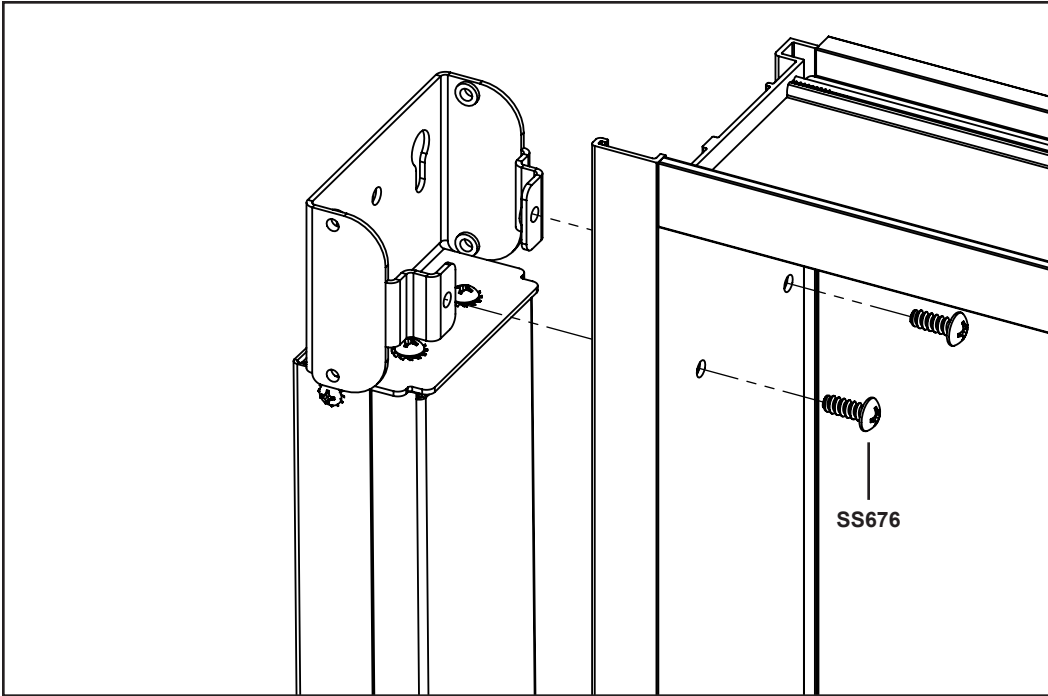


---

## MOUNTING THE BRACKETS TO THE CABINET

**Note:** When mounting the lights between cabinets, see the following page.

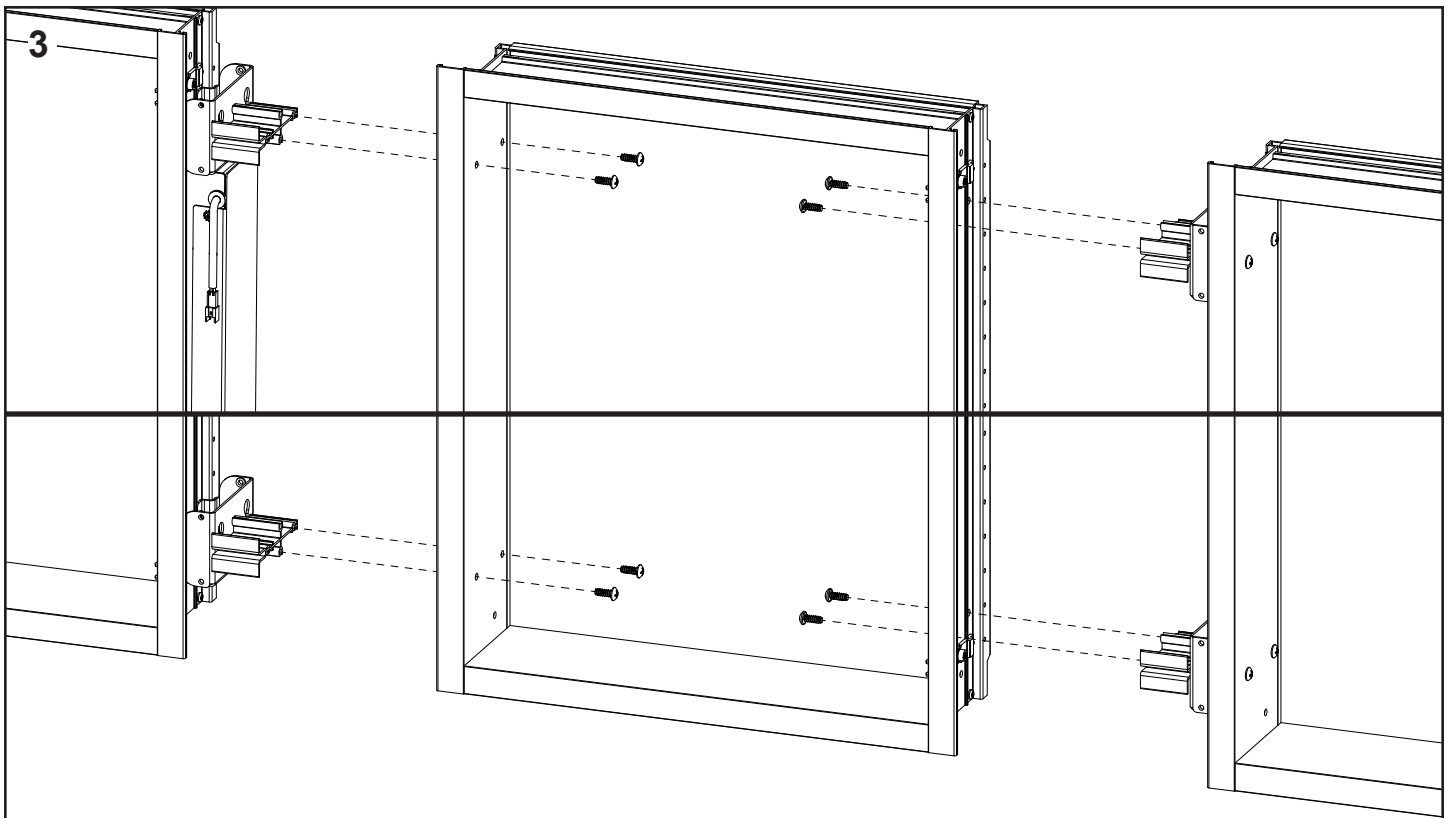
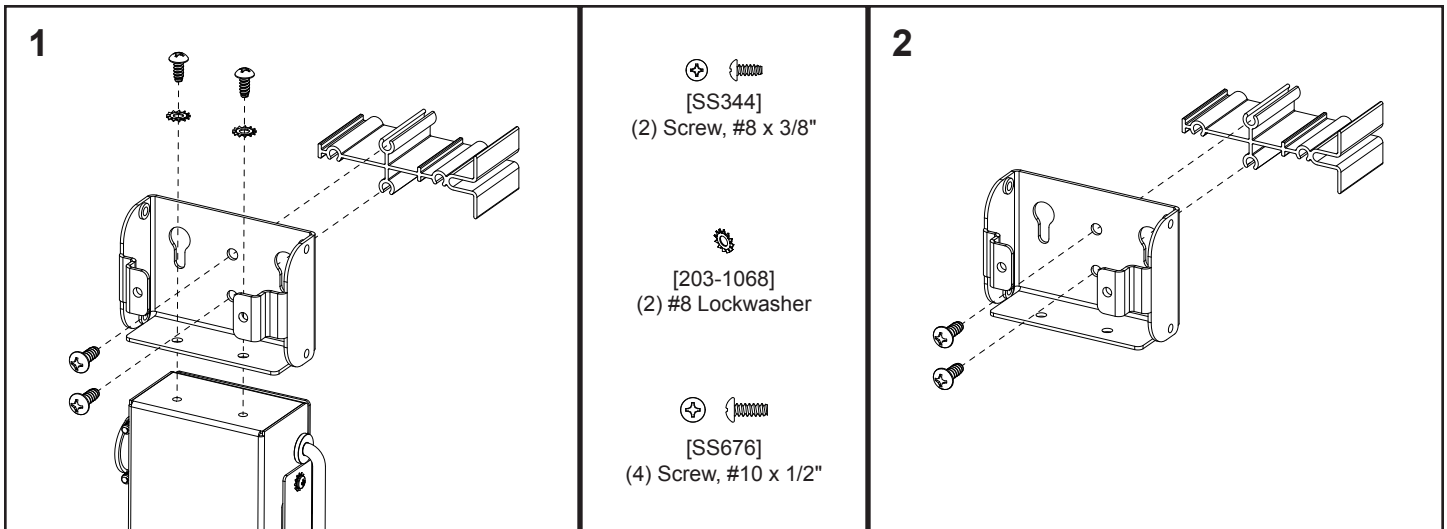
1. Mount the brackets to the cabinet through the ganging locations, as shown, using the supplied #10 screws [SS676].



# MOUNTING THE BRACKETS BETWEEN CABINETS FOR GANGING

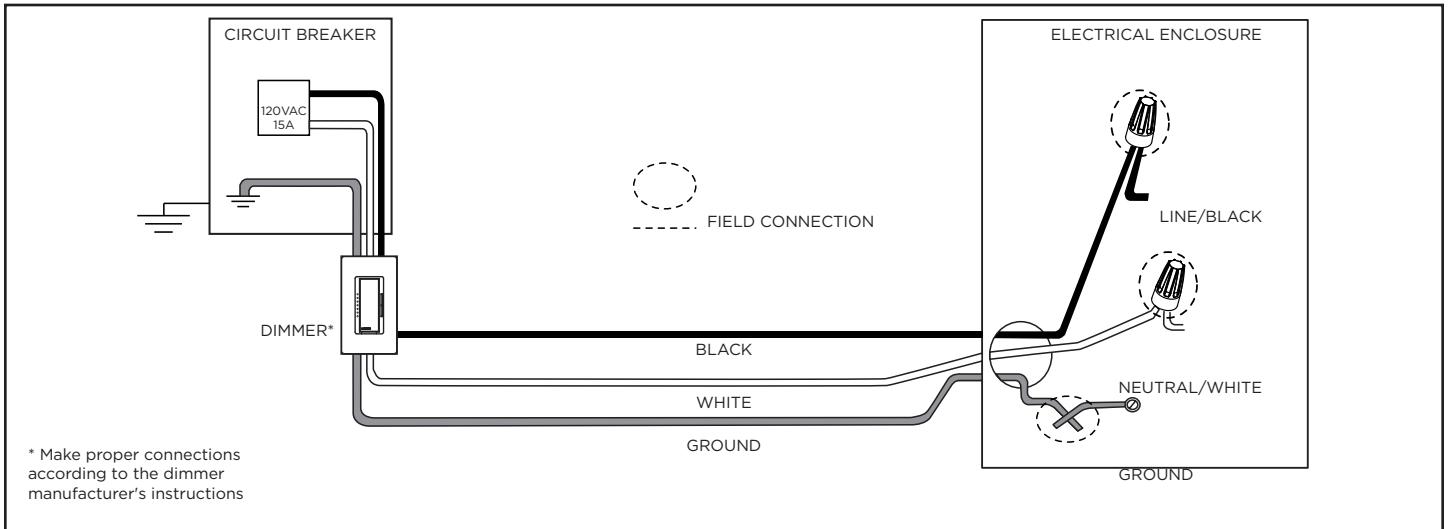
**Note:** A Ganging Kit (refer to the cabinet's instructions, sold separately) is required for the following instructions. All additional components shown in the following steps will be included with the Ganging Kit. One kit includes enough components to gang two lights between cabinets.

1. Using two #8 x 3/8" screws [SS344] and two lockwashers [203-1068], attach the mounting brackets to the Electrical Enclosure.
2. Using two #10 x 1/2" screws [SS676], attach each mounting bracket to a ganging block, included in the Ganging Kit.
3. Attach the mounting bracket assemblies to each cabinet with four #10 x 1/2" screws [SS676].



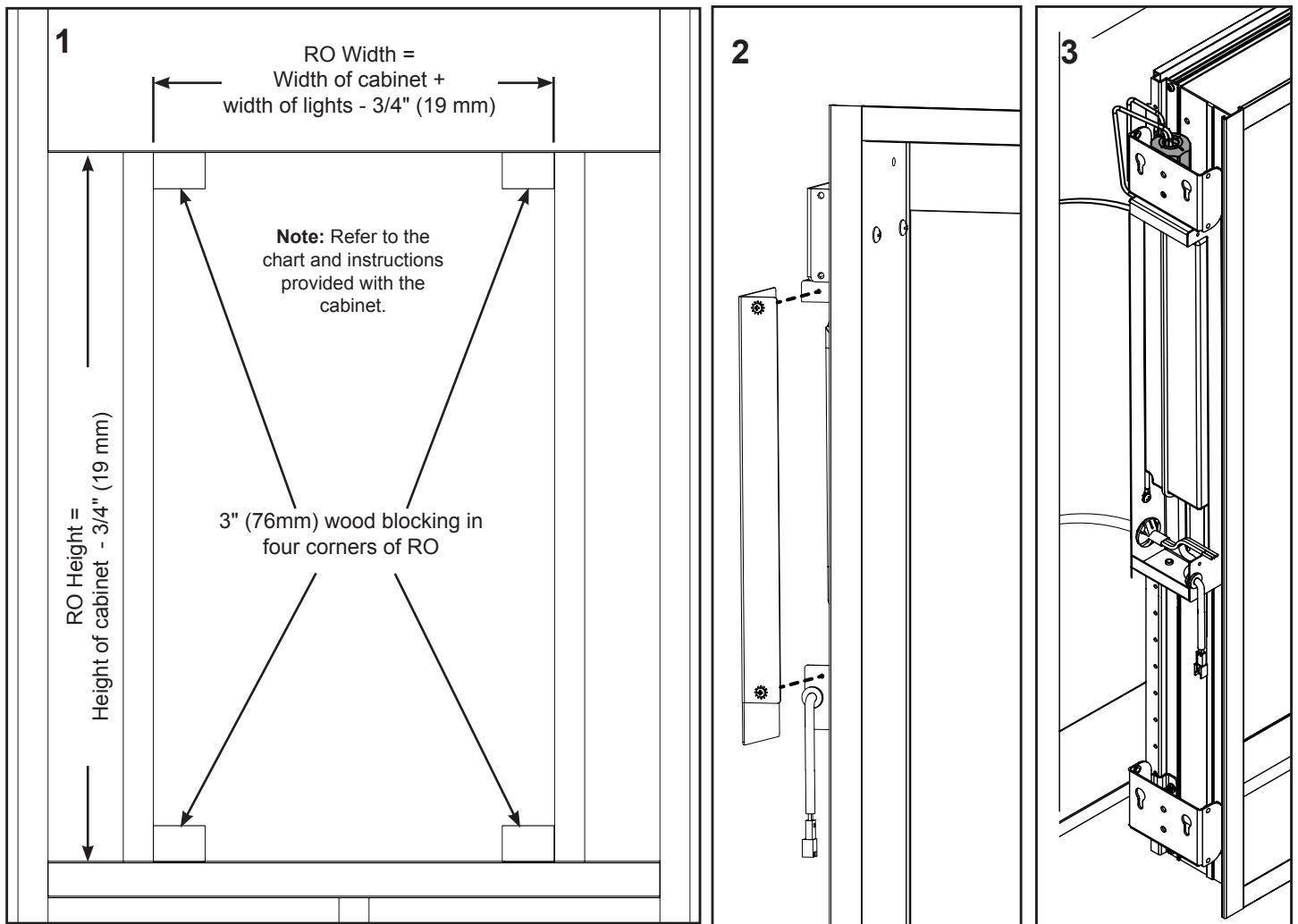
# WIRING THE ELECTRICAL ENCLOSURE

1. Follow the Electrical Diagram below during the installation of your light.



# RECESSED INSTALLATION AND ELECTRICAL WIRING

1. Prepare your rough opening as shown below. Add blocking to all four corners of the rough opening. Also refer to the chart and instructions provided with the cabinet.
  2. Remove the two #6-32 screws holding the electrical enclosure cover in place. Set the cover and screws aside in a safe place.
  3. With the electrical cover removed, support the cabinet on the edge of the recessed opening and feed the field wire through the field wire strain relief at the back of each enclosure and secure.
  4. Push the cabinet assembly into the recessed opening until the back of the cabinet flange is tight to the finished wall surface.
  5. Using a level, level and plumb the products in the opening. Shim as necessary. Using a square, make sure the cabinet is square in all axis.
  6. Mount the cabinet in place using the #10 Screws [SS675] provided with the lights.
  7. Make the electrical connection according to the electrical diagram on page 9.
- Note:** Leaving too much field wire in the enclosure could prevent it from closing properly and may cause damage to the internal components.
8. Replace the electrical cover utilizing the two #6-32 screws removed in Step 2.



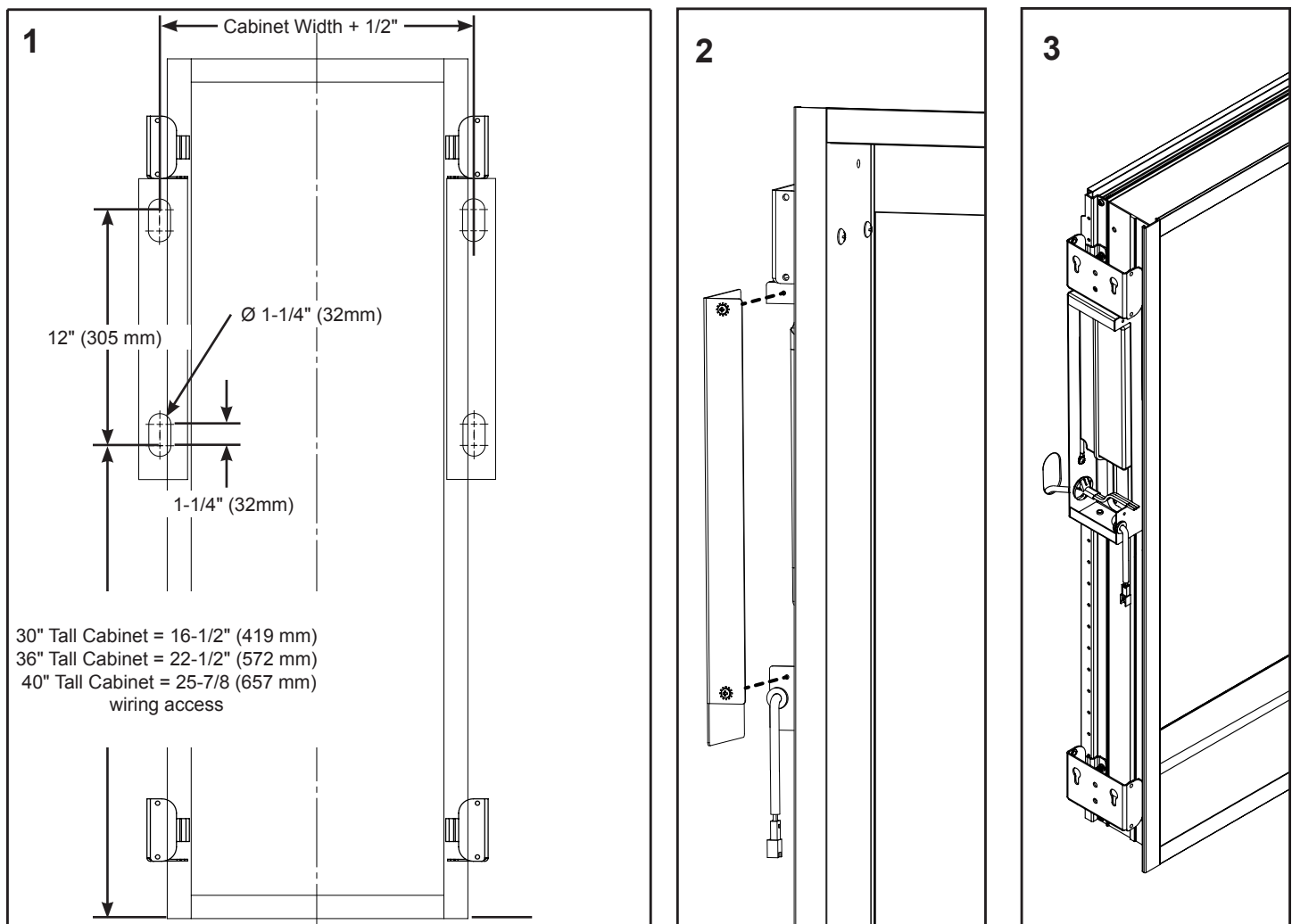
# SURFACE INSTALLATION AND ELECTRICAL WIRING

**Note:** A Surface Mount Kit (refer to the cabinet's instructions, sold separately) is required for the following instructions.

1. Prepare the electrical rough-in as shown below.
2. Remove the two #6-32 screws holding the electrical enclosure cover in place. Set the cover and screws aside in a safe place.
3. With the electrical cover removed, feed the field wire through the field wire strain relief at the back of the electrical enclosure and secure.
4. Mount the cabinet in place following the steps provided in the cabinet's or Surface Mount Kits instructions.
5. Make the electrical connection according to the electrical diagram on page 9.

**Note:** Leaving too much field wire in the enclosure could prevent it from closing properly and may cause damage to the internal components.

6. Replace the electrical cover utilizing the two #6-32 screws removed in Step 2.



## SURFACE INSTALLATION AND ELECTRICAL WIRING

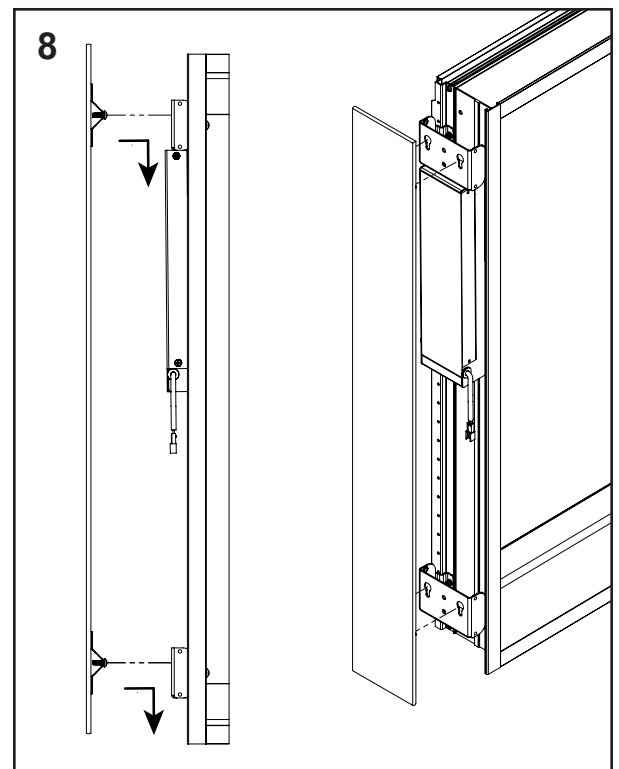
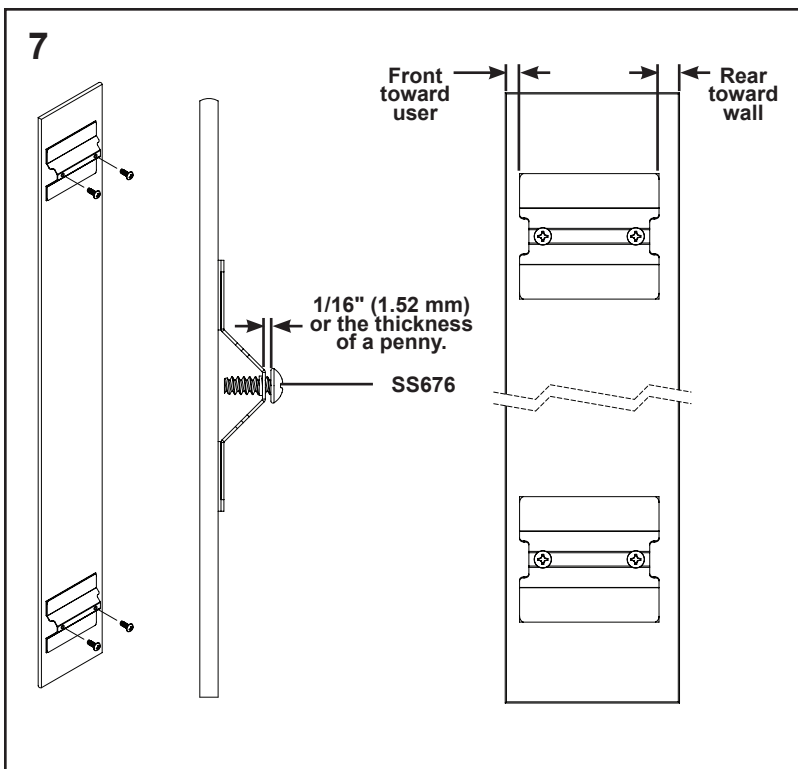
7. Drive the #10 Screws [SS676] provided with the Surface Mount Kit (sold separately) into the holes in the side kit brackets. Use a penny (as detailed in figure 4 below) to set the depth distance.

8. Orienting the sidekit as shown below, insert the Screw Heads into the keyholes on the side of the upper and lower Light Brackets, then slide the sidekit down into place.

**Note:** If the bracket is not oriented correctly, the side kit cannot be lowered into place and may fall, resulting in damage.

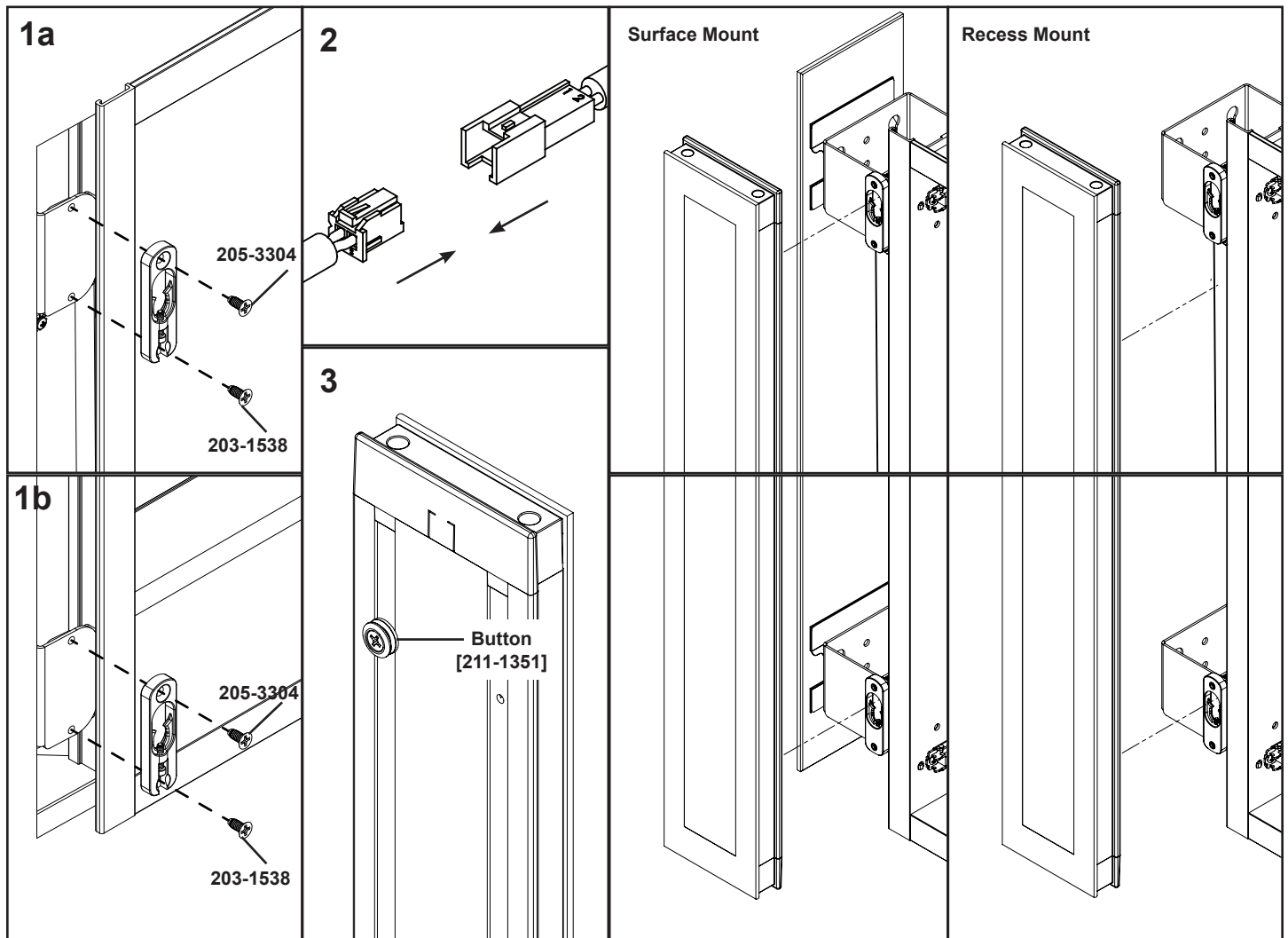
**Note:** If the Sidekit feels loose, move the sidekit back and forth to determine which screw feels loose. Lift and remove the sidekit from the brackets and rotate the loose screw a 1/4 turn clockwise, repeating as necessary.

**Note:** If the Sidekit does not lower into place, remove the sidekit from the keyholes and rotate the screws a 1/4 turn counterclockwise.



## FINAL ASSEMBLY

1. Using the provided #8 screws [203-1538] attach an adjustable button receiver [211-1362] to each bracket. The screw head on the button receiver must be facing down.
2. Connect the electrical connector from the light to the electrical low voltage wire connector coming out of the electrical enclosure.
3. Align and insert the buttons on the back of the light into the upper and lower adjustable button receivers [205-3304].
4. Slide the light down until it's completely engaged.



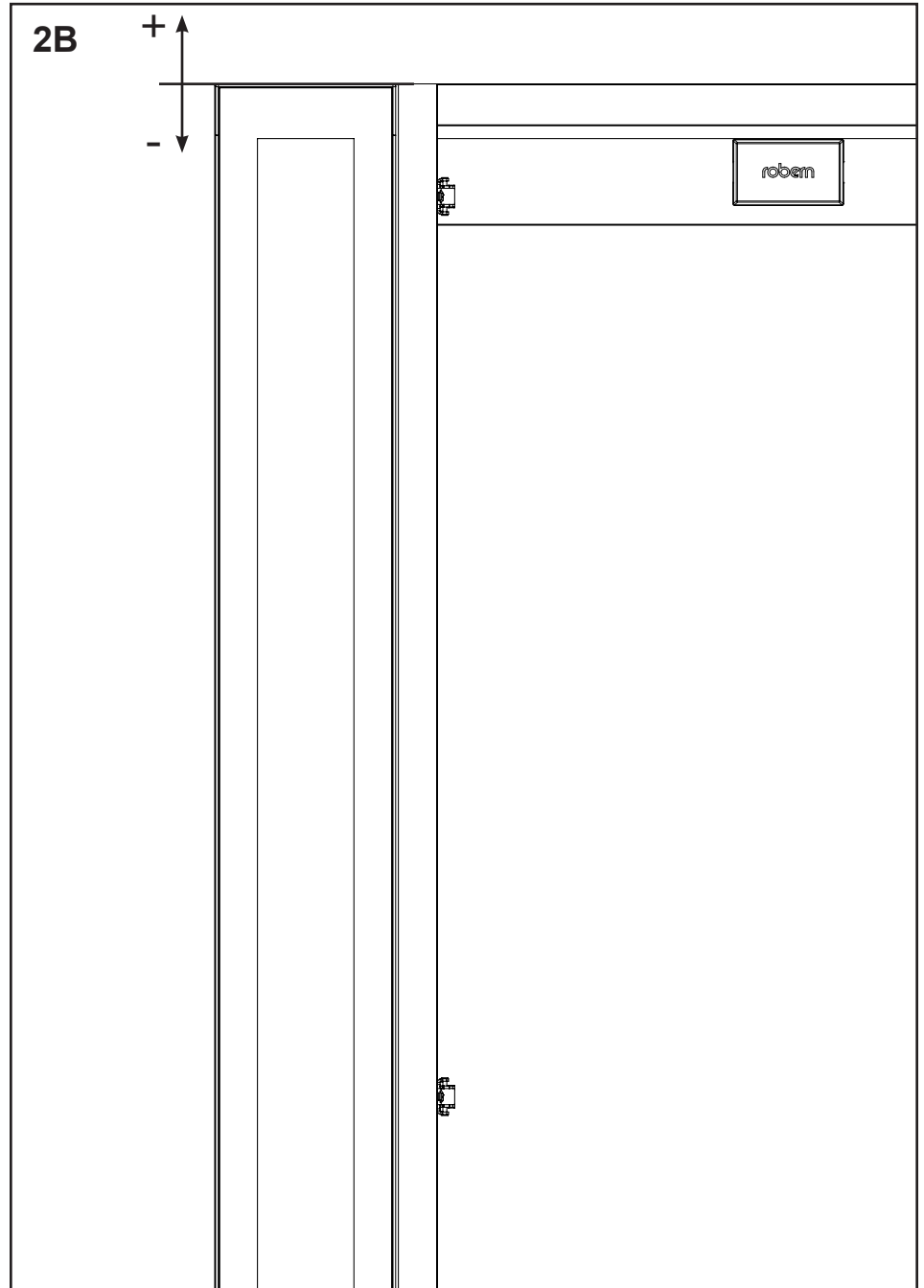
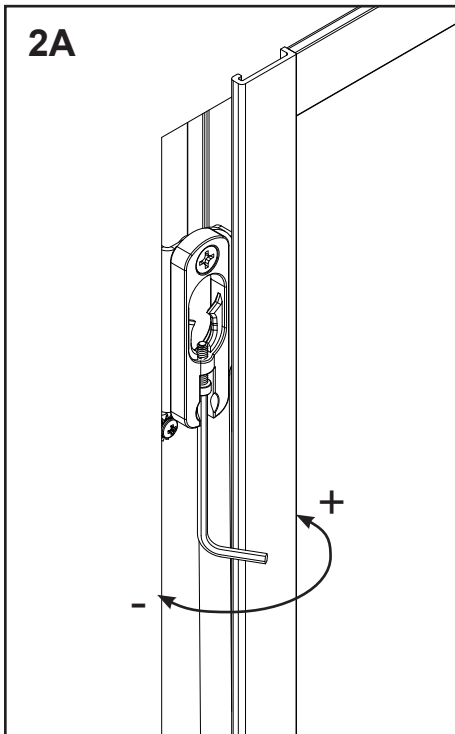
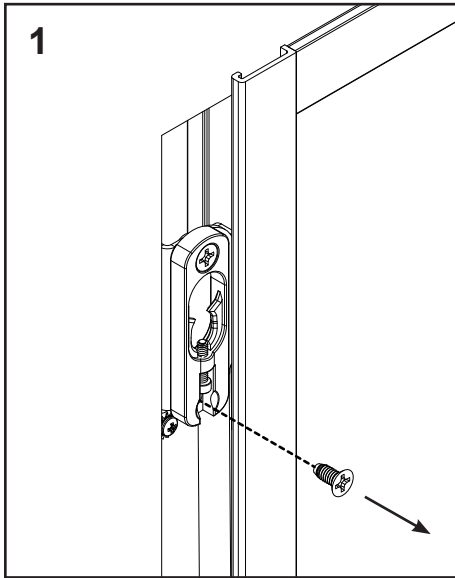
# PRODUCT ALIGNMENT

**Note:** If the top of the light doesn't align with the top of the cabinet flange, remove the light and set aside in a safe place before proceeding with the following steps.

1. Remove the lower mounting screw [203-1538] from the adjustable button receiver to access the adjustment screw.

2A. Using the provided Allen key [203-1057] turn the adjustment screw to raise or lower the light into alignment with the cabinet.

2B. Reattach the light and check alignment. Repeated adjustments may be necessary. Once alignment is achieved, reattach the screw [203-1538] removed in step 1.



## PRODUCT ALIGNMENT

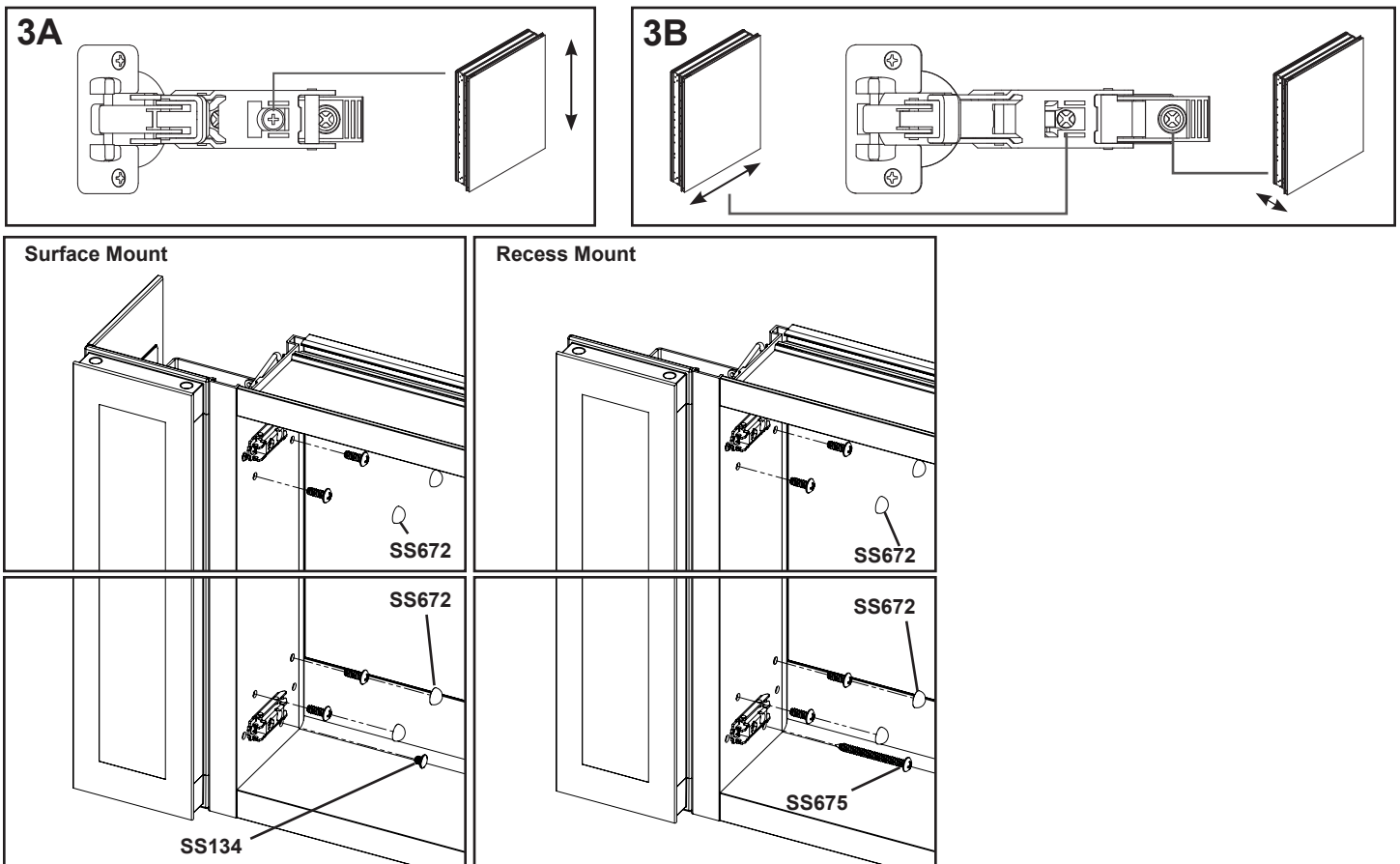
3. Adjust the cabinet doors until they align with the lights using the three-way adjustment features in the hinges, adjusted using a #2 Phillips Head screwdriver.

3A. Height: With the hinge slightly closed, you can access the middle screw. This screw will move your door front up and down.

3B. Side to Side/Depth: With the hinge fully extended, you can access the front and back screws. The front screw will adjust the door from side to side and the rear screw will adjust the door's depth.

4. Press a # 10 screw cap [SS672], provided with each light, onto all exposed screw heads.

5. Press a hole plug [SS134], included with your cabinet hardware, into all open mounting holes.



---

## USE AND MAINTENANCE

### CAUTION - RISK OF SHOCK

Risk of personal injury; disconnect power before servicing.

Use only a damp cloth to clean. Ammonia or vinegar-based cleaners can damage the finish.

A 50/50 solution of water and isopropyl alcohol is recommended for cleaning the light fixture.

When cleaning, spray the cloth, not the light fixture or surround surfaces. Do not use abrasive cleansers on any part of the light fixture.



---

## WARRANTY

### Limited Warranty One Year Term

Robern warrants to the original purchaser that, it will, at its election repair, replace, or make appropriate adjustment to products made by this company shown to have significant defects in material or workmanship which are reported to Robern in writing within one (1) year from the date of delivery. Robern is not responsible for installation costs. The warranty is void in the event the product is damaged in transit, or if damage or failure is caused by abuse, misuse, abnormal usage, faulty installation, damage in an accident, improper maintenance, or any repairs other than those authorized by Robern. At the expiration of the one year warranty period, Robern shall be under no further obligation under any warranty, expressed or implied, including the implied warranty of merchantability. Robern shall not be liable for any consequential damages arising out of or in connection with the use or performance of its products. Some states do not allow limitations on how long an implied warranty lasts or do not allow the exclusion or limitation of incidental or consequential damages, so the above limitation or exclusion may not apply to you. Any liability against Robern under any implied warranty, including the warranty of merchantability, is expressly limited to the terms of this warranty. Permission to return any merchandise under this warranty must be authorized by Robern and returned prepaid by the purchaser. Claims under this warranty should be sent directly to your dealer.

©2022 Robern, Inc.  
All rights reserved