

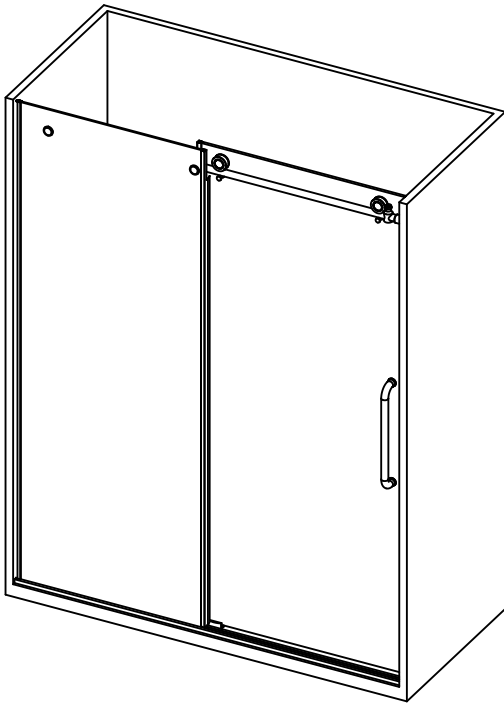


ANZZI®

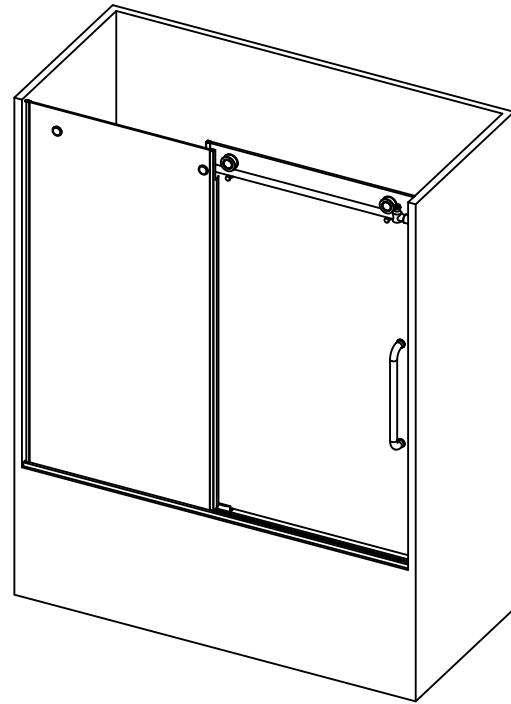
ITEM: SD-AZ13-01**(SD-AZ8077-01**)
SD-AZ13-02**(SD-AZ8077-02**)
SD-AZ17-01**(SD-AZ8080-01**)
SD-AZ13-03**

ANZZI GLASS SHOWER DOOR
INSTALLATION & OPERATION MANUAL

V3.4
05/30/2025



SD-AZ13-01**
SD-AZ13-02**
SD-AZ13-03**



SD-AZ17-01**

**DON'T WAIT!
REGISTER NOW!**

Register your product within 90 days to ensure it is recognized as a purchase and covered under warranty.

Register online at <https://anzzi.com/pages/register> or scan the QR code on PG. 2.



PRODUCT REGISTRATION*

IMPORTANT: Warranty will not be recognized unless product is registered.

Register online at <https://anzzi.com/pages/register> or Scan the QR code below.
Registering your product maximizes your warranty benefits and ensures prompt service and support.

1

USE YOUR PHONE CAMERA
TO SCAN THE QR CODE



2

FILL IN A QUICK
REGISTRATION FORM

Thank you for your purchase!

Registering your products ensures you maximize your warranty benefits and receive prompt service and support.

Name*

Email*

City*

Order #*

Installer Name

...

Model Purchased*

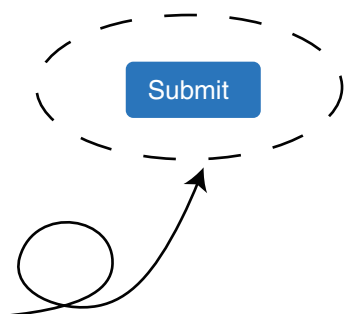
Installer Phone Number

Customer Age Range

Submit

3

CLICK SUBMIT AND
ENJOY PEACE OF MIND



Need help? For technical support call 305-614-4070 or visit us at www.ANZZI.com



STOP!

READ BEFORE YOU PROCEED!
TO KEEP GLASS FROM BREAKING, MAKE SURE:

- 1. Due to the weight of this product, at least two people are needed for a safe installation.**
- 2. Glass corner protectors remain on during installation.**
- 3. Glass protective seals are mounted to the door before opening/closing.**
- 4. Glass panels are aligned & level with wall/floor.**
- 5. Stoppers must be installed correctly. Prevents door from striking wall.**
- 6. Slider must be installed correctly for smooth sliding.**

SAFETY PRECAUTIONS

General Safety Warnings

1. **Read Instructions First** – Carefully read the entire installation manual before beginning. Improper installation may result in product failure or injury.
2. **Use Proper Tools** – Always use the recommended tools and hardware to ensure safe and correct installation.
3. **Work with a Partner** – Due to the weight and fragility of glass panels, never attempt to install them alone. A minimum of two people is required.

Handling Tempered Glass Panels

4. **Do Not Strike or Edge-Load the Glass** – Tempered glass is strong but can shatter if struck on its edges or corners.
5. **Always Carry Glass Vertically** – Transport and handle glass panels in an upright position to reduce the risk of breakage.
6. **Wear Protective Gear** – Use safety gloves, closed-toe shoes, and eye protection when handling glass.
7. **Inspect Before Installation** – Check for cracks, chips, or defects before installation. Do not install damaged glass panels.
8. **Do Not Drill or Modify the Glass** – Altering the glass in any way can compromise its integrity and cause it to shatter.
9. **Keep the Glass in a Secure Area Until Installation** – Store glass panels upright on a non-slip surface, away from heavy traffic areas.
10. **Avoid Sudden Temperature Changes** – Do not expose tempered glass to extreme temperature shifts, as this can cause it to shatter.

Installation Precautions

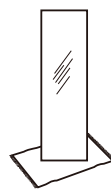
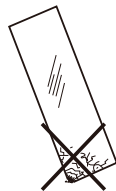
11. **Secure the Work Area** – Ensure the installation site is free of obstacles, water, or debris to prevent slipping or dropping the glass.
12. **Check Wall and Floor Strength** – Ensure mounting surfaces are sturdy enough to support the shower door assembly.
13. **Tighten Fasteners Securely but Cautiously** – Over-tightening hardware can stress and damage glass components.
14. **Follow Manufacturer's Weight Limits** – Ensure that the structure can support the weight of the installed shower doors.

Post-Installation Warnings

15. **Do Not Slam the Doors** – Forcefully closing shower doors can cause damage or breakage over time.
16. **Regularly Check for Loose Hardware** – Periodically inspect hinges, rollers, and handles for stability.
17. **Do Not Hang Items on Glass Doors** – Hanging towels or objects on the doors may stress the hardware or glass, leading to breakage.

WARNING

PROTECTIVE EQUIPMENT MUST BE WORN WHEN HANDLING GLASS



INSTALLATION GUIDE

BEFORE YOU BEGIN

- Please check the product for damage and missing parts immediately upon delivery. Damage reported after installation will not be covered under our warranty. Please handle the product with care. Avoid impacting the sides and edges of the glass.
- Consult your local building codes before installation.
- To reduce the risk of breakage, keep the corner protectors on the glass during installation.
- If this unit is being installed in new construction, please install all required plumbing and drainage before installing the shower. Use a licensed plumber or contractor for all plumbing installations if required by local code.
- Before beginning installation, make sure all surfaces are level, solid and will support the total weight of the unit. Also, make sure the walls are at right angles. An uneven installation surface, rounded corners, or improperly angled side walls can cause serious installation problems. Please note that some adjustments and drilling might be necessary during the installation process.
- Protect all primary surfaces of the product during installation. Never place the glass directly on a tile floor. Keep the corner protectors in place until they need to be removed. Always use wood or cardboard to protect the bottom edge and corners of the glass before and during installation.



WARNING

- Install this unit on a finished threshold and against finished walls.
- Avoid drilling into hidden pipes or electrical cables when making holes in the walls.
- Due to the weight of this product, at least two people are needed for a safe installation.
- When cutting or drilling metal components or handling glass, wear protective eyewear, gloves, and closed-toe shoes to minimize the risk of personal injury.
- Failure to follow these instructions may result in personal injury, property damage, or product failure, and could void the warranty.

INSTALLATION GUIDE

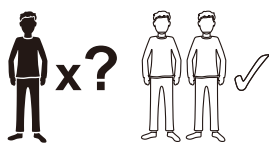
BEFORE YOU BEGIN



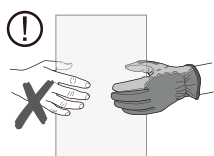
ATTENTION

- Surface of the threshold or tub deck must be level for proper installation.
- This model requires a minimum 3.15" (80 mm) flat level threshold or tub deck space for installation.

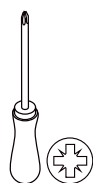
Tools Required



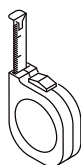
- This product is heavy and requires two people to install.



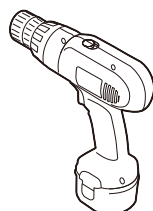
- Use cut-resistant, non-slip gloves to reduce the risk of personal injury and to hold the glass firmly.



Phillips
Screwdriver



Tape
Measure



Drill



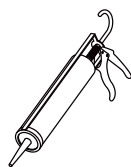
1/8"
(3mm)
Drill Bit



7/32"
(5.5mm)
Drill Bit



5/16"
(8mm)
Drill Bit



100%
Silicone
Sealant



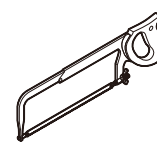
Pencil



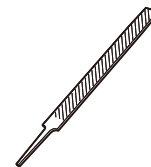
Rubber
Mallet



Safety
Glasses



Hack
Saw



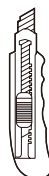
Metal File



Tin Snips



Stud Finder



Knife



Level



This product is heavy and requires two people to install.

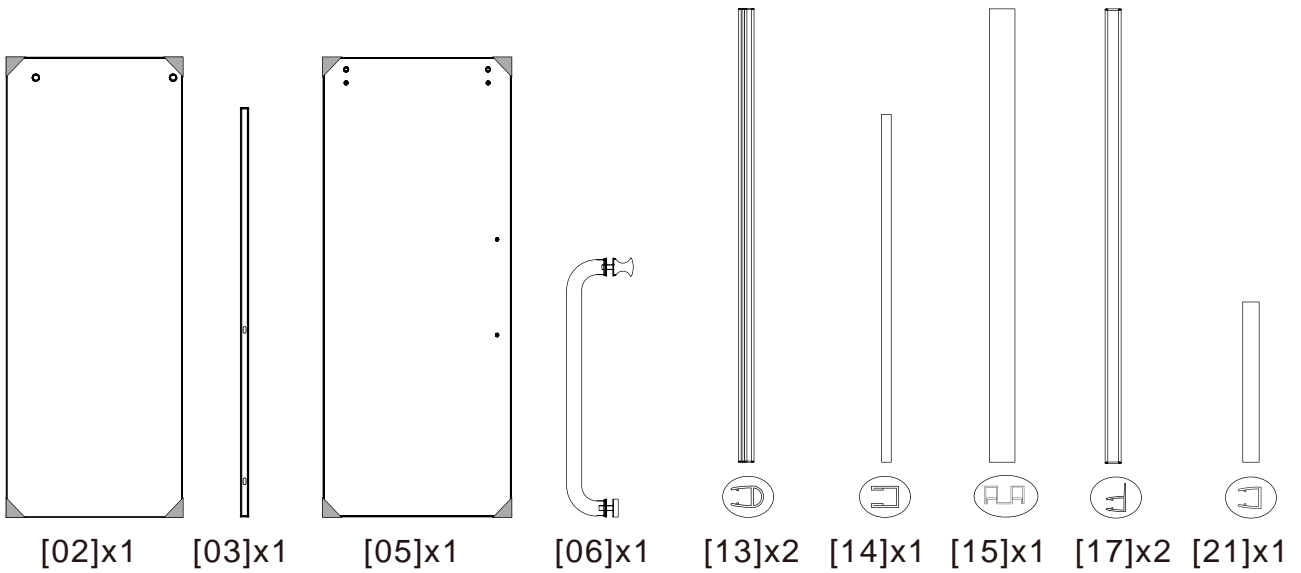




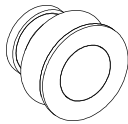
WARNING

To prevent damage to glass and potential injury, carefully follow the instructions on page 4.

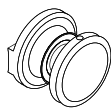
PARTS



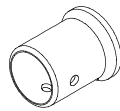
[01]x2



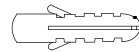
[04]x2



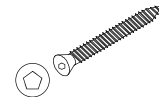
[07]x2



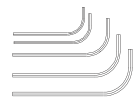
[08]x2



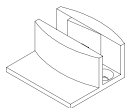
[09]x3



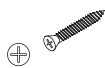
[10]x3



[11]x5



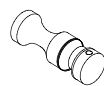
[12]x1



[16]x7



[18]x7



[19]x2



[20]x1



[22]x1



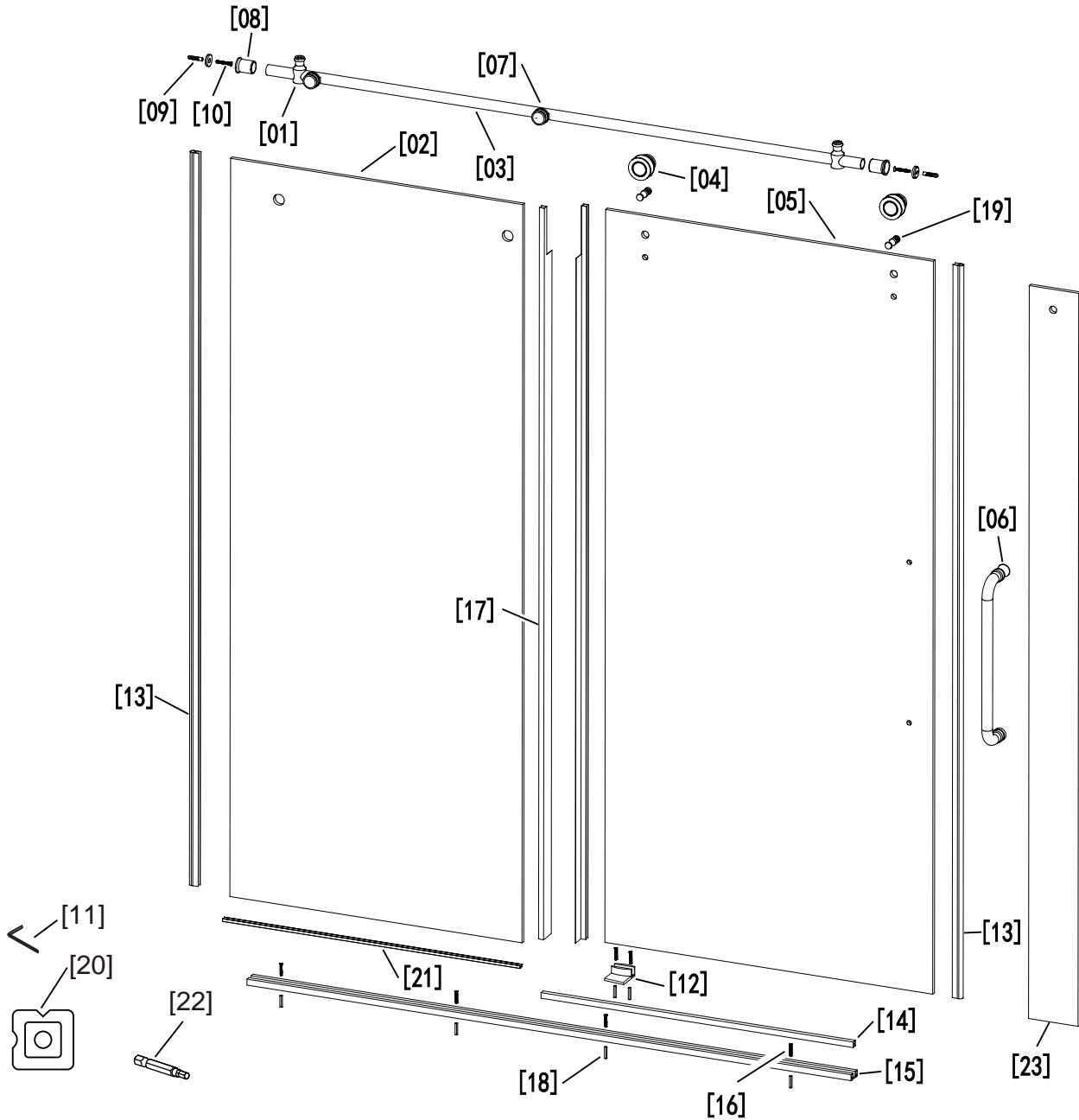
[23]x1



WARNING

To prevent damage to glass and potential injury, carefully follow the instructions on page 4.

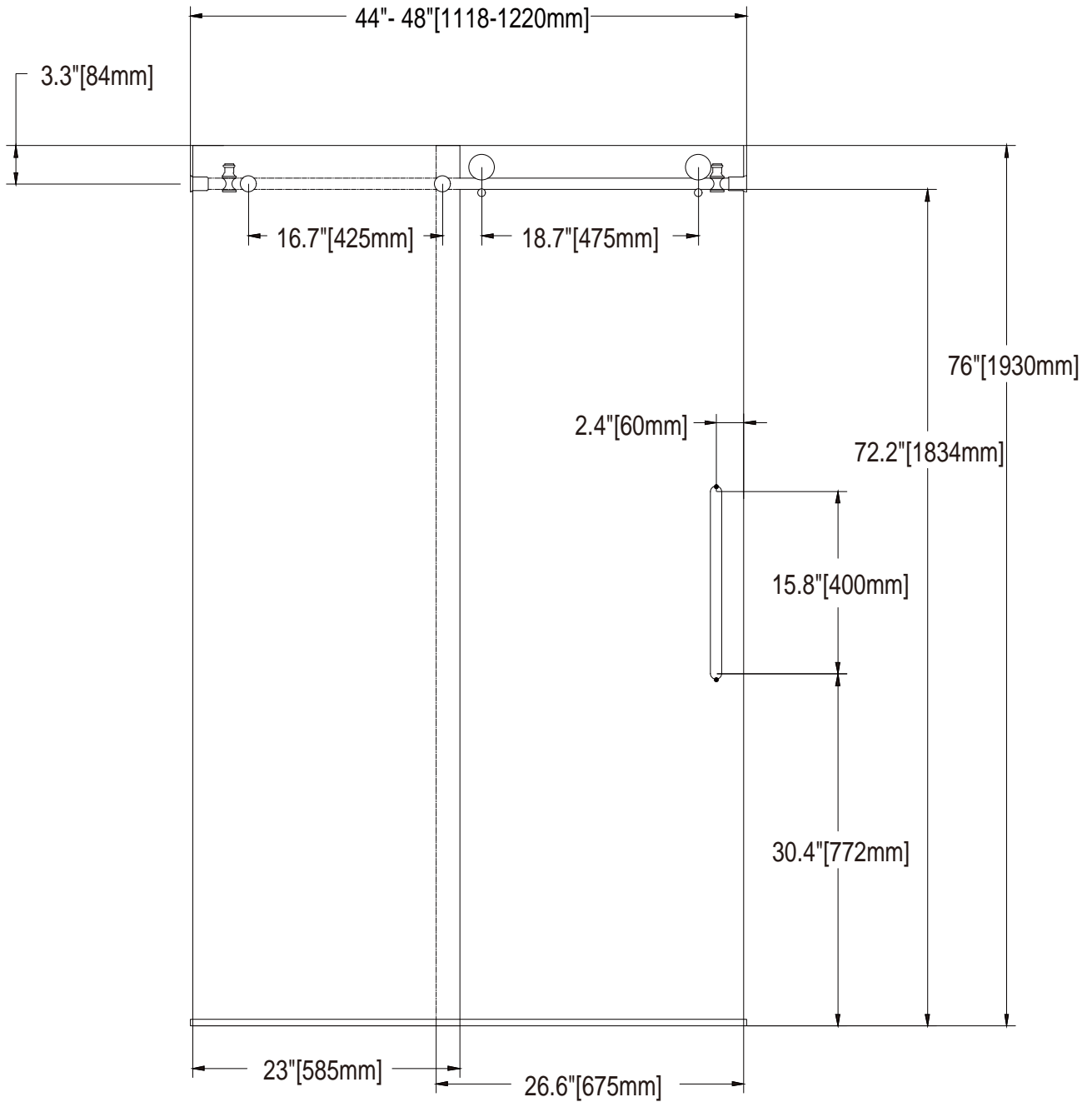
ASSEMBLY



Part	Description	Qty.	Part	Description	Qty.
[01]	Limit Stop	2	[12]	Guide Block	1
[02]	Fixed Panel	1	[13]	Water Sealing Strip	2
[03]	Support Bar	1	[14]	Rail Cover	1
[04]	Roller	2	[15]	Bottom Rail	1
[05]	Door	1	[16]	Screw #8x0.79"[ST4x20mm]	6
[06]	Handle Set	1	[17]	Water Sealing Strip	2
[07]	Fixed Block	2	[18]	Small Anchor	5
[08]	Wall Bracket	2	[19]	Roller Guard	2
[09]	Anchor	2	[20]	Silicone Cleaner	1
[10]	Screw #10x1.57"[ST5x40mm]	2	[21]	Glass Bottom Protection Seal	1
[11]	Allen Keys	5	[22]	Screw Driver Bit	1
			[23]	Template	1

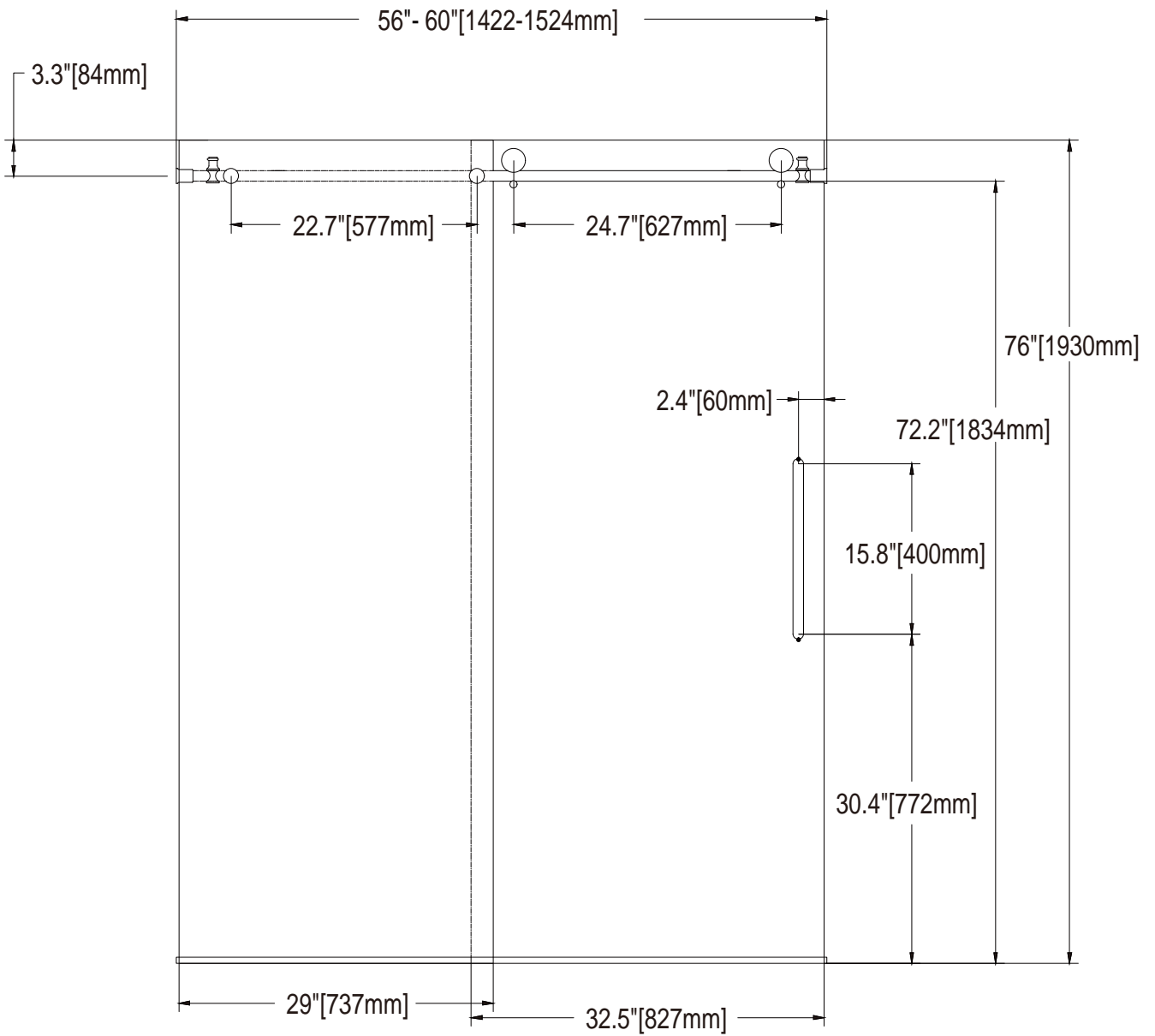
SD-AZ13-01**(SD-AZ8077-01**)

48" x 76"



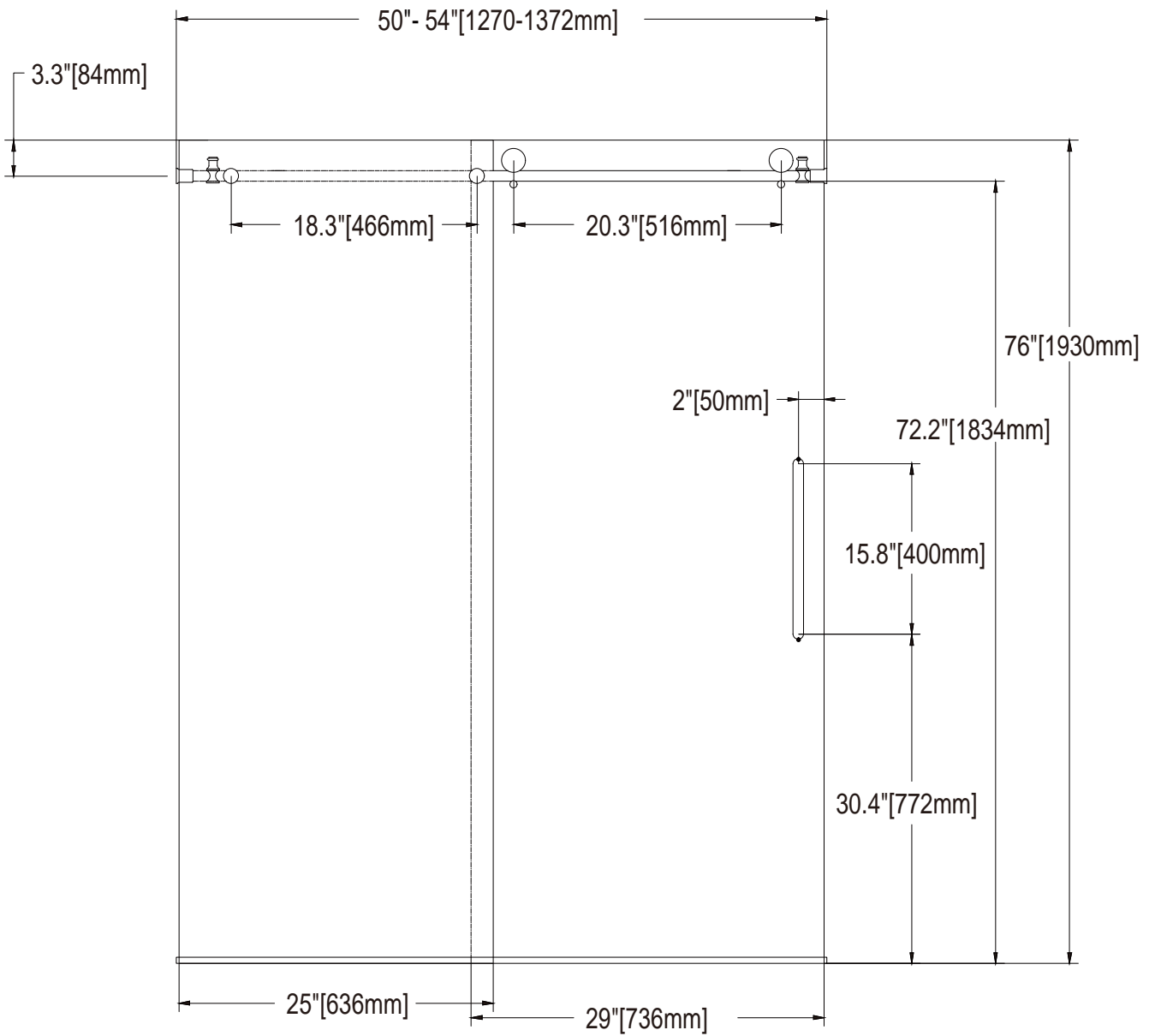
SD-AZ13-02**(SD-AZ8077-02**)

60"x76"



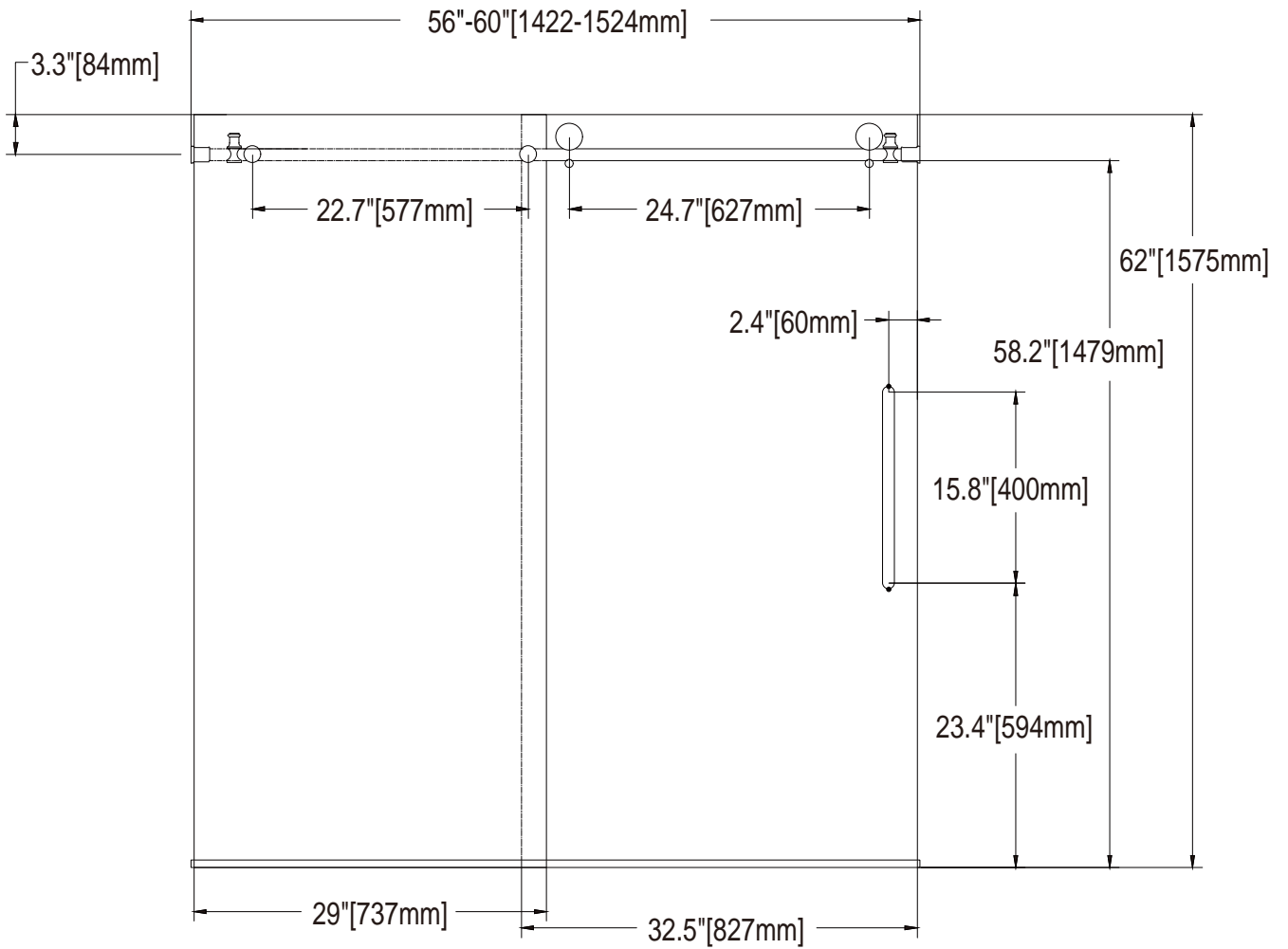
SD-AZ13-03**

54" x 76"



SD-AZ17-01**(SD-AZ8080-01**)

60"x62"



ATTENTION

- To avoid personal injury or property damage, identify components and read all instructions before installing.
- This model requires a minimum 3.15" (80mm) of flat level threshold or tub deck space for installation. (Dimension "D" of Fig 1.)
- This manual shows right side installation. For left side installation, follow the instructions in page 27.

INSTALLATION INSTRUCTIONS

Step 1

1. Measure the finished opening width at the bottom or tub surface ("W2") and at the top ("W1").
The height of top:

SD-AZ13-01/SD-AZ13-02/SD-AZ13-03: H=72.7"[1847mm];

SD-AZ17-01: H = 58.7" [1491mm].

IMPORTANT: If the widths of the Support Bar [03], Bottom Rail [15] and the Rail Cover [14] align correctly, cutting is unnecessary. If they don't, please see setp 2 for cutting instructions.

2. Remove the **Wall Brackets [08]**. Using a pencil or another marking tool (such as masking tape), mark distance **W - 0.5"(12.7mm)** on the **Support Bar [03]** (to leave some space for the **Wall Brackets**), **W2** on the **Bottom Rail [15]**, **C** on the **Rail Cover [14]**.

IMPORTANT: Double check the measurements before cutting. Cut the **Support Bar [03]** on the **Door [05]** end only. Cut the **Support Bar [03]**, **Bottom Rail [15]** and the **Rail Cover [14]** with a fine toothed (32 TPI) hack saw. If needed, use a metal file to smooth rough edges. Clean up metal shavings.

DO NOT stand on or use a vice to hold the **Support Bar [03]**, **Bottom Rail [15]** and the **Rail Cover [14]** while cutting.

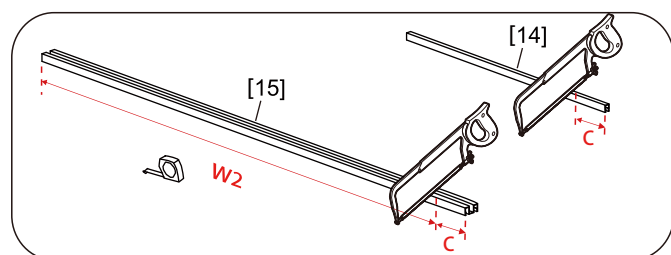
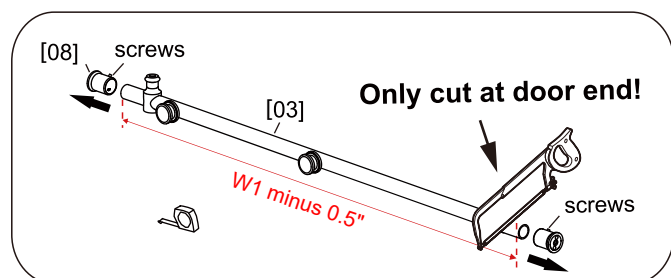
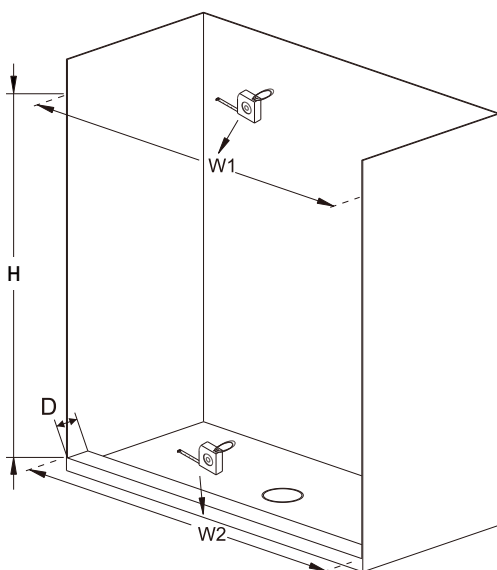


Fig 1

- This shower door must be mounted to a stud. Minimum threshold space is required.
IMPORTANT: Using a stud finder, ensure the wall intended to hold the door has a stud at the installation point. A stud in this location must be identified to support the support bar in order to proceed with the installation. If there is no stud in the shown area, we recommend employing a qualified contractor to install one.

Step 2

1. If this shower door is intended to be installed with **Bottom Rail [15]** flushing with the outside wall, position the **Template [23]** to the side wall of shower room with one of its side flush with the outside wall. (Fig 2.1)
2. If this shower door is intended to be installed with **Bottom Rail [15]** behind the outside wall, position the **Template [23]** to the side wall of shower room with one of its side A" behind the outside wall. A" is the distance between the side of the **Template [23]** and the outside wall. (Fig 2.2)
3. Use a pencil to mark the screw holes on the wall through the **Template [23]** . (Fig 2.1, Fig 2.2)
4. Use a pencil to draw a line on the side wall along the side of **Template [23]** near the threshold. (Fig 2.2)

IMPORTANT:

- a. **Make sure there are studs behind the positions of the screw holes.**
- b. **Ensure the marks on the side walls are equidistant from the outside wall.**

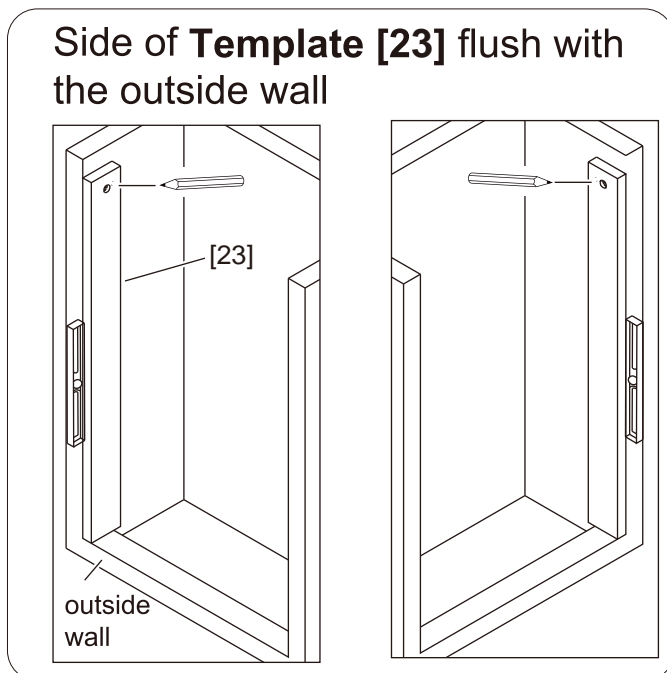


Fig 2.1

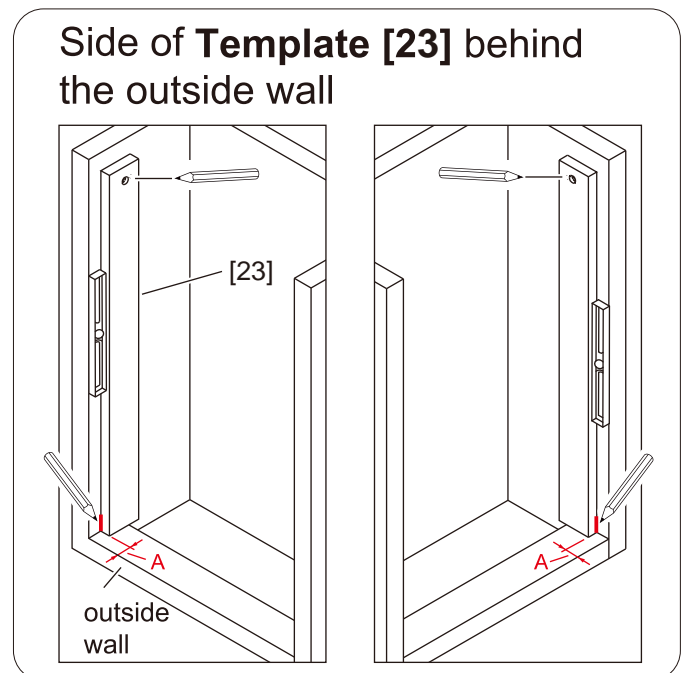


Fig 2.2

Fig 2

Step 3

1. Drill 5/16" holes at the location marked in Step 2 (Figure 3.1).
2. Insert the **Anchors [09]**. (Fig 3.2)
3. Remove the **Wall Bracket Plates** from **Wall Brackets[08]** and secure them with **Screws[10]** using **Screw Driver Bit [22]**. (Fig 3.3)
4. Slightly Slide the **Wall Brackets[08]** to the **Support Bar [03]** and install to the **Wall Bracket Plates**. Slightly push and turn the **Wall Brackets [08]** clockwise until it stop. Reverse the **Wall Brackets [08]** a little so that its screw holes point upward. (Fig 3.4)

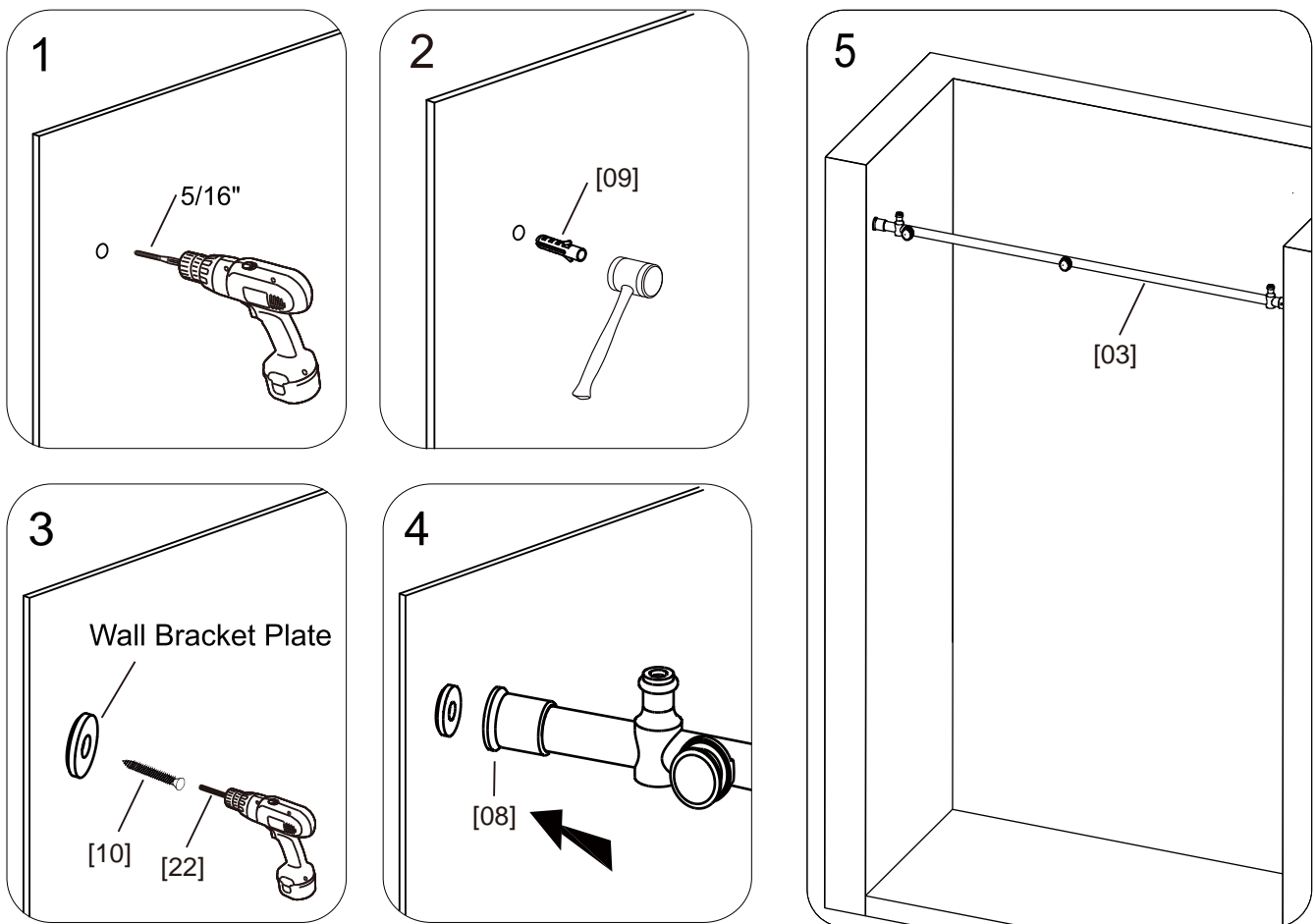


Fig 3

Step 4a - FOR SHOWER DOOR INSTALLATION

Notice: The **Bottom Rail [15]** and **Guide Block [12]** can be secure by silicone sealant.

For screw free installation, skip to step 4, 5 of this page.

1. If this shower door is intended to be installed with **Bottom Rail [15]** flushing with the outside wall, slightly position the **Bottom Rail [15]** flushing with the outside wall. If this shower door is intended to be installed with **Bottom Rail [15]** behind the outside wall, slightly position the **Bottom Rail [15]** with outer side of it aligns with the marked lines on the side wall. Mark the screw holes through the **Bottom Rail [15]**. (Fig 4a.1)

NOTE: Ensure the groove pattern on Bottom Rail [15] faces upwards before proceeding.

2. Remove the **Bottom Rail [15]** and drill a **1/8"** hole at each marked location if drilling into acrylic or wood material. Drill a **7/32"** hole if drilling into tile material and insert the **Small Anchors [18]**. (Fig 4a.2, Fig 4a.3)

3. Secure the **Bottom Rail [15]** with **Screws [16]**. Then, skip to Step 5. (Fig 4a.4)

4. Apply a good quality of Silicone Sealant to the slots of **Bottom Rail [15]** and place it to the marked threshold. (Fig 4a.1, Fig 4a.5)

5. Apply a good quality of Silicone Sealant to the slots and bottom surface of **Guide Block [12]** and place it close to the center of back surface of **Bottom Rail [15]** facing to the shower room. Allow 24 hours for the silicone to cure before next step.(Fig 4a.6, Fig 4a.7)

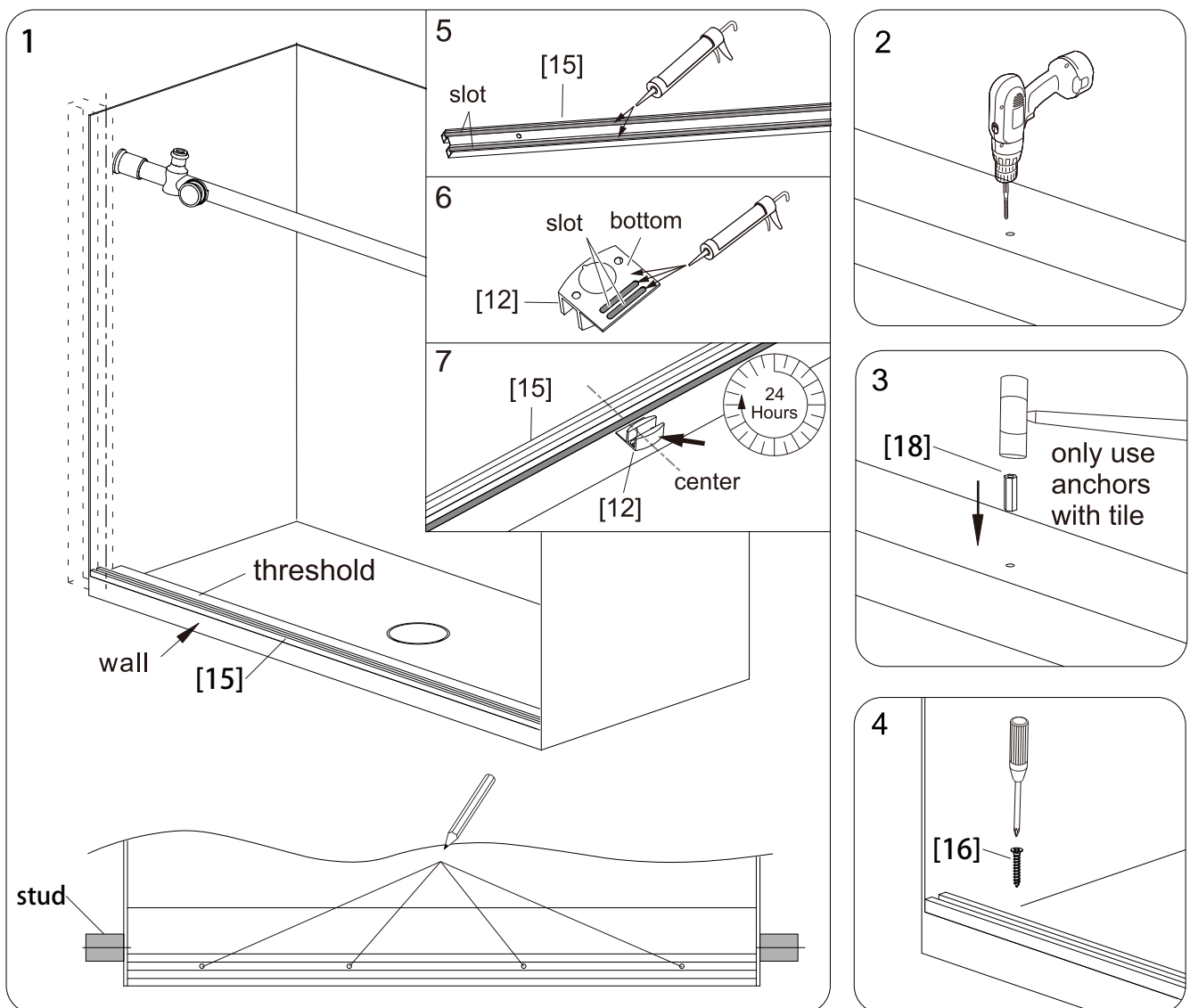


Fig 4a

Step 4b - FOR BATHTUB DOOR INSTALLATION

Notice: The **Bottom Rail [15]** and **Guide Block [12]** can be secure by silicone sealant.

For screw free installation, skip to step 4, 5 of this page.

1. If this shower door is intended to be installed with **Bottom Rail [15]** flushing with the outside wall, slightly position the **Bottom Rail [15]** flushing with the outside wall. If this shower door is intended to be installed with **Bottom Rail [15]** behind the outside wall, slightly position the **Bottom Rail [15]** with outer side of it aligns with the marked lines on the side wall. Mark the screw holes through the **Bottom Rail [15]**. (Fig 4b.1)

NOTE: Ensure the groove pattern on Bottom Rail [15] faces upwards before proceeding.

2. Remove the **Bottom Rail [15]** and drill a $1/8$ " hole at each marked location if drilling into acrylic or wood material. Drill a $7/32$ " hole if drilling into tile material and insert the **Small Anchors [18]**. (Fig 4b.2, Fig 4b.3)
3. Secure the **Bottom Rail [15]** with **Screws [16]**. Then, skip to Step 5. (Fig 4b.4)
4. Apply a good quality of Silicone Sealant to the slots of **Bottom Rail [15]** and place it to the marked threshold. (Fig 4b.1, Fig 4b.5)
5. Apply a good quality of Silicone Sealant to the slots and bottom surface of **Guide Block [12]** and place it close to the center of back surface of **Bottom Rail [15]** facing to the shower room. Allow 24 hours for the silicone to cure before next step.(Fig 4b.6, Fig 4b.7)

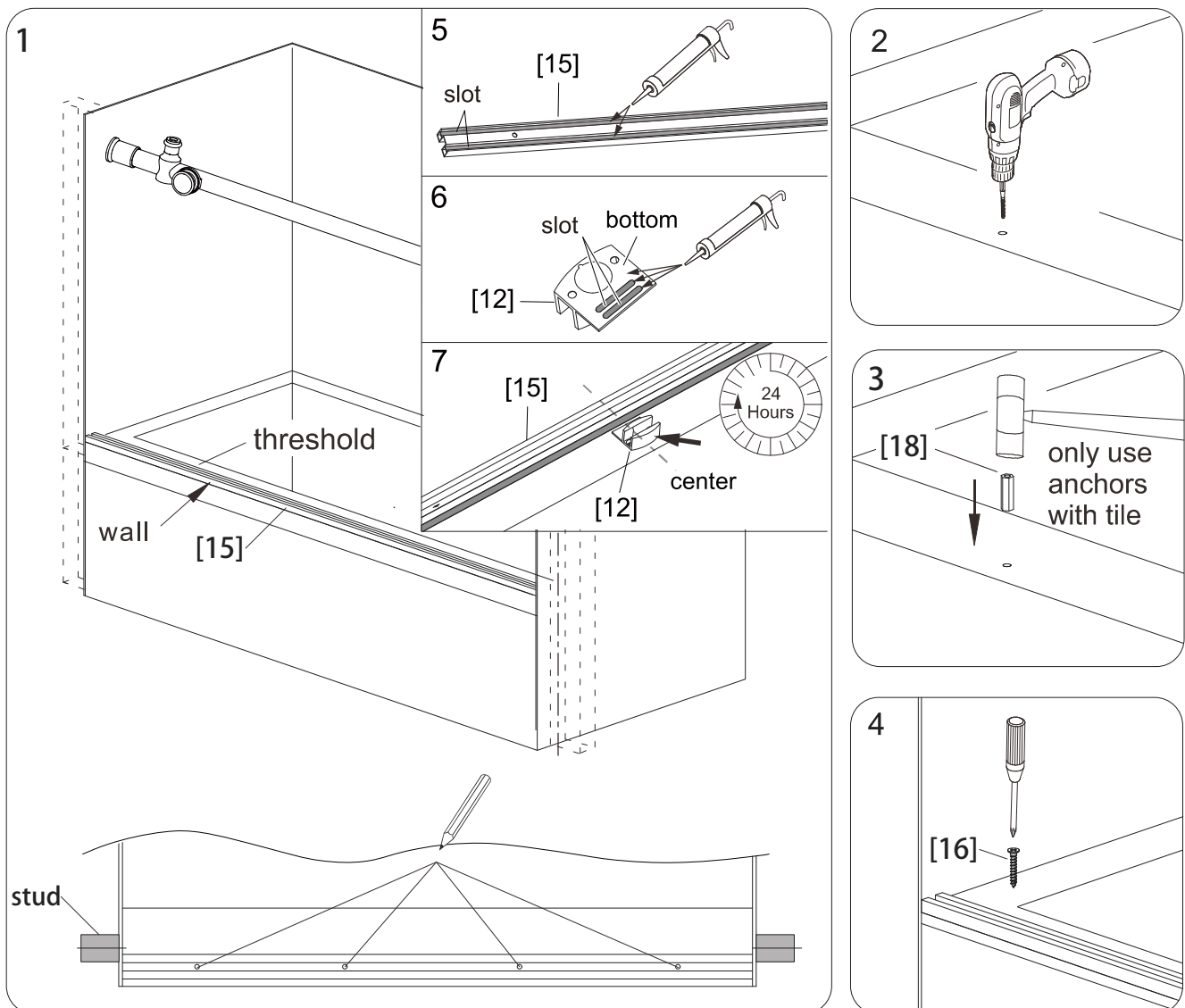


Fig 4b



WARNING

To prevent damage to glass and potential injury, carefully follow the instructions on page 4.

Step 5

1. Remove the **Cover**, **Screw**, **Eccentric Block**, and **Gasket** from one of the **Rollers [04]**. Attach the **Stopper** and **Washer** to one of the upper holes on the front of the **Door [05]**. Install **Eccentric Block** and **Gasket** to the **Stopper** from the back of the **Door [05]** and secure with the **Screw** using the matched **Allen Key [11]**. Using one provided small **Allen Key [11]** to stick into the side hole of **Roller [04]** and press the **Stopper** of it. Adjust the **Eccentric Block** until its side hole points upward. Then, tighten the **Screw** using another **Allen Key [11]** to secure **Roller [04]**. Install the second **Roller [04]** to the other upper hole using the same process. (Fig 5.1, Fig 5.2) **IMPORTANT: Ensure that there are Washers between Roller [04] and Door [05]**. Two side holes of the **Door [05]** should be on the side closed to the wall when the **Rollers [04]** face outside. (Fig 5.1, Fig 5.2)
2. Remove two of the **Corner Protectors** and install a **Water Sealing Strip [13]** to the right side of **Door [05]**. Make sure the end of **Water Sealing Strip [13]** is aligned with the bottom of the **Door [05]**. If the **Water Sealing Strip [13]** is longer than the **Door [05]** after installation, cut it to correct length. (Fig 5.1, Fig 5.3)
3. Carefully move the **Door [05]** to the shower room. (Fig 5.3)
NOTE: Slightly place Door [05] with cloth or blanket between it and the floor.

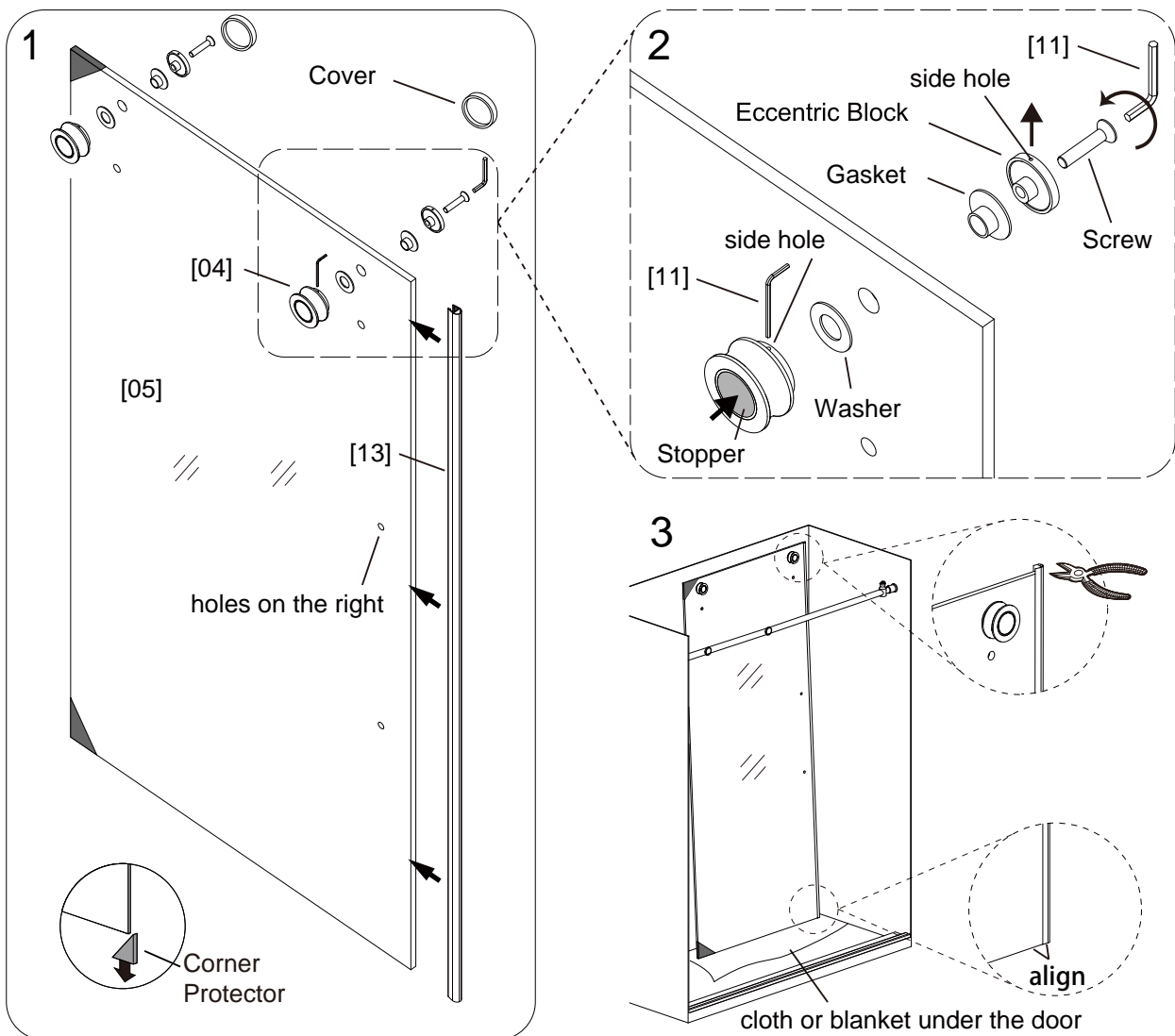


Fig 5



WARNING

To prevent damage to glass and potential injury, carefully follow the instructions on page 4.

Step 6

1. Slightly lay down the **Fixed Panel [02]** on the floor with soft cloth or foam block underneath. Remove the **Corner Protectors** except the one at the top right corner of **Fixed Panel [02]**.
2. Install **Water Sealing Strip [13]** to the **Fixed Panel [02]**. Make sure the end of **Water Sealing Strip [13]** is 0.5" from the bottom of **Fixed Panel [02]**. (Fig 6.1)
3. If the **Water Sealing Strip [13]** is longer than the **Fixed Panel [02]** after installation, cut it to correct length. (Fig 6.1)
4. Install the **Glass Bottom Protection Seal [21]** to the bottom of **Fixed Panel [02]**. (Fig 6.1)
Note: Failure to install the Glass Bottom Protection Seal [21] will void the warranty.
5. Apply a good quality Silicone Sealant to the bottom of the **Glass Bottom Protection Seal [21]**. (Fig 6.2)
6. Carefully lift up the **Fixed Panel [02]** and install it to the **Bottom Rail [15]**. Make sure the **Fixed Panel [02]** is set closed to the **Fixed Block [07]** and the **Water Sealing Strip [13]** faces to the side wall. (Fig 6.2, Fig 6.3)
7. Remove the **Covers** and **Washers** from the **Fixed Blocks [07]**. Slightly push the **Fixed Panel [02]** to the side wall and pull it down into the groove of **Bottom Rail [15]**. (Fig 6.3)
8. Slightly push the **Fixed Panel [02]** to the **Fixed Blocks [07]** so that its holes match the protrusions of the **Fixed Blocks [07]**. Make sure there are **Gaskets** between the **Fixed Panel [02]** and the **Fixed Blocks [07]**. If the holes of **Fixed Panel [02]** don't match well with the protrusions of the **Fixed Blocks [07]**, loose the **Screws** of **Fixed Blocks [07]** and adjust them until the protrusions insert to the holes. Tighten the **Screws** of **Fixed Blocks [07]**. (Fig 6.3, Fig 6.4)
9. Install the **Washers** and **Covers** back to the **Fixed Blocks [07]**. Insert a small **Allen Key [11]** to the side holes of **Covers** and tighten the **Covers** to secure. (Fig 6.3)
10. Tighten the hex screws of the **Wall Brackets [08]** to secure the **Support Bar [03]**. (Fig 6.5)

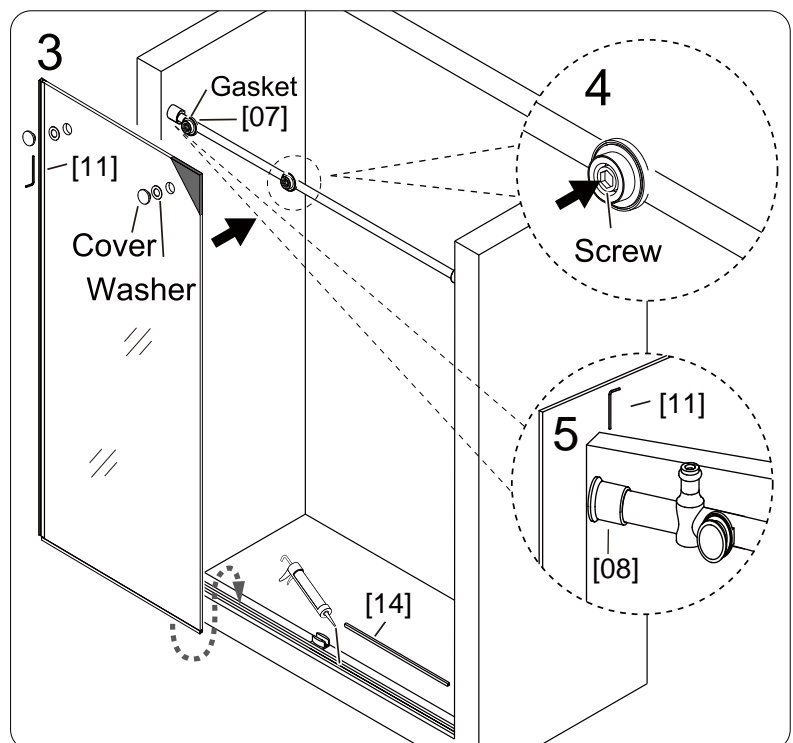
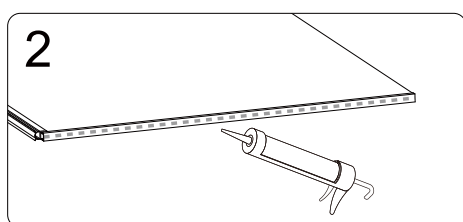
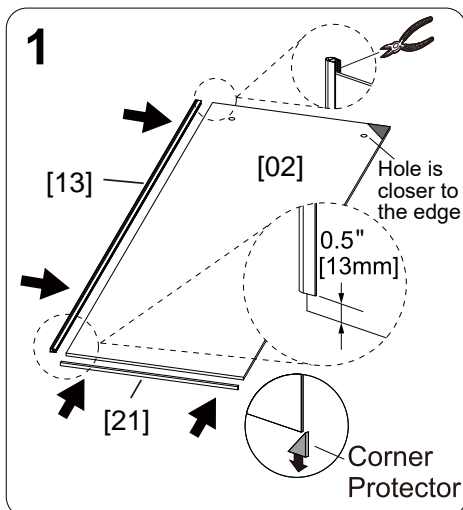


Fig 6

Step 7a - FOR SHOWER DOOR INSTALLATION

Notice: This page is for **Guide Block [12]** secured by screws only.

For screw free installation, skip to **Step 4a** at page 16.

1. Draw **Center Line** at the middle of the threshold. Place the **Guide Block [12]** close to the center of back surface of **Bottom Rail [15]** facing to the shower room. Mark the screw holes of the **Bottom Rail [15]** on the threshold. (Fig 7a.1)
2. Remove **Guide Block [12]** and drill **1/8"** holes at each marked location if drilling into acrylic or wood material.
Drill **7/32"** holes if drilling into tile material and insert the **Small Anchors [18]**. (Fig 7a.2, Fig 7a.3)
3. Secure the **Guide Block [12]** with **Screws [16]**. (Fig 7a.4)

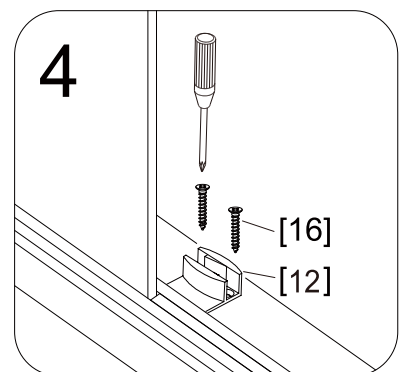
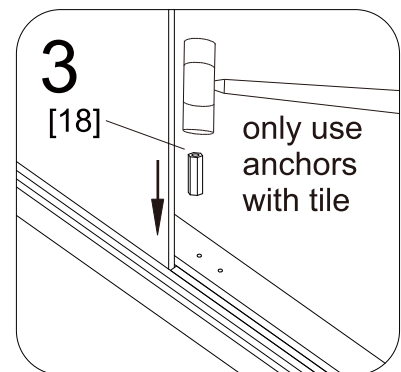
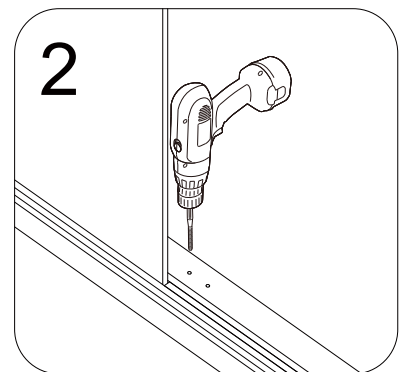
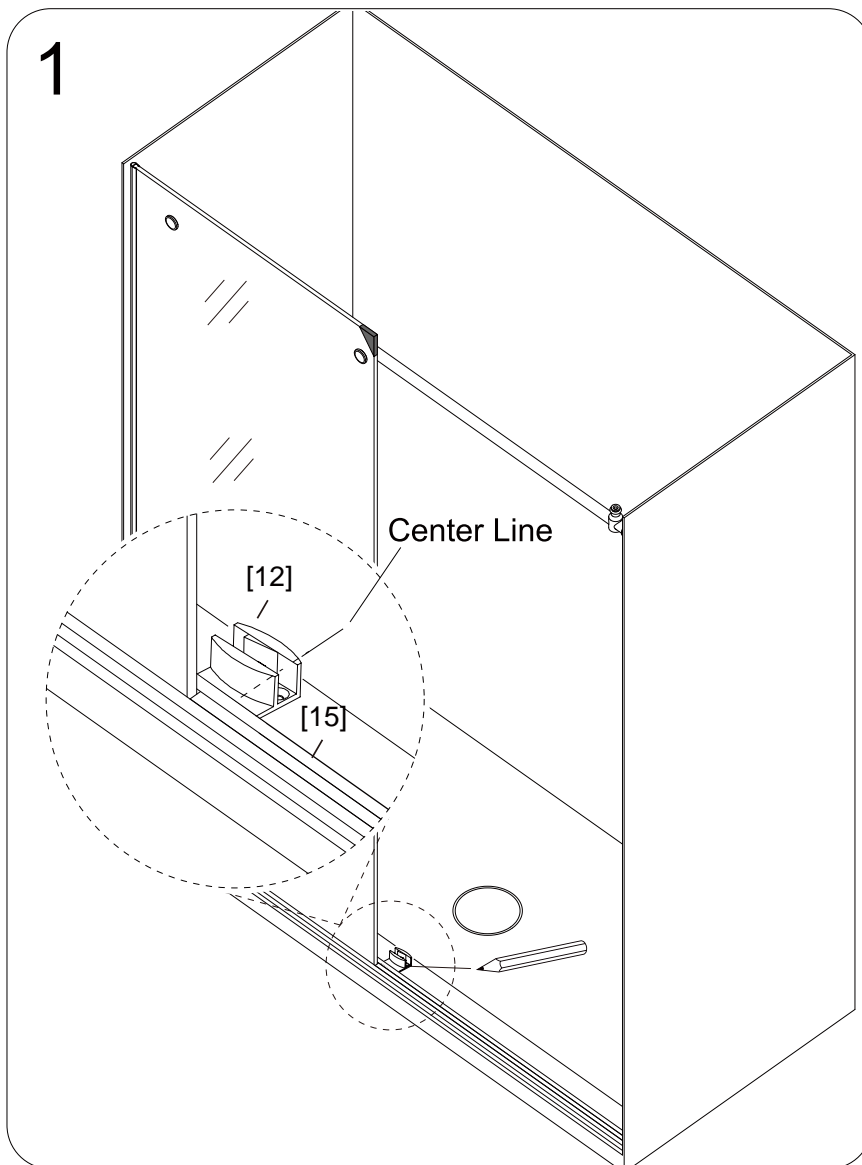


Fig 7a

Step 7b - FOR BATHTUB DOOR INSTALLATION

Notice: This page is for **Guide Block [12]** secured by screws only.

For screw free installation, skip to **Step 4b** at page 17.

1. Draw **Center Line** at the middle of the threshold. Place the **Guide Block [12]** close to the center of back surface of **Bottom Rail [15]** facing to the shower room. Mark the screw holes of the **Bottom Rail [15]** on the threshold. (Fig 7b.1)
2. Remove **Guide Block [12]** and drill **1/8"** holes at each marked location if drilling into acrylic or wood material.
Drill **7/32"** holes if drilling into tile material and insert the **Small Anchors [18]**. (Fig 7b.2, Fig 7b.3)
3. Secure the **Guide Block [12]** with **Screws [16]**. (Fig 7b.4)

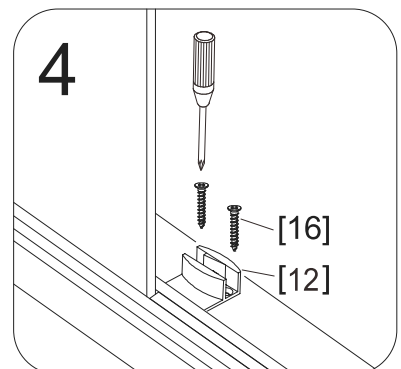
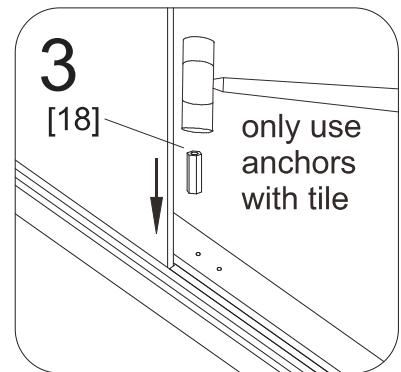
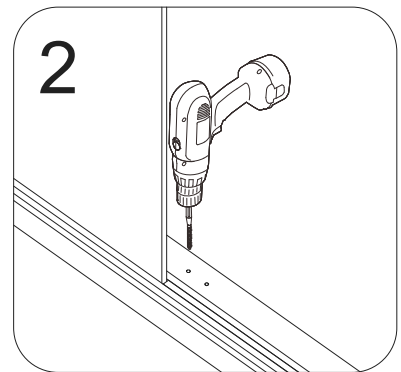
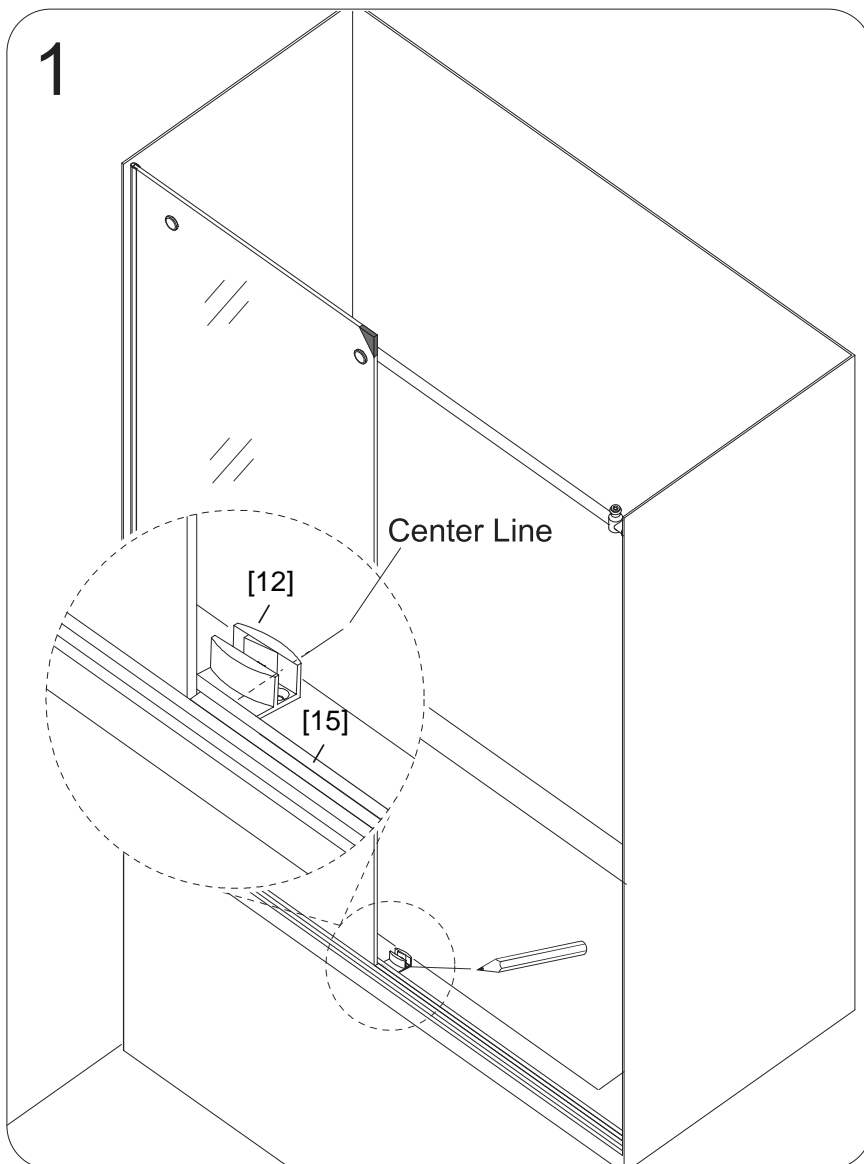


Fig 7b



WARNING

To prevent damage to glass and potential injury, carefully follow the instructions on page 4.

Step 8

1. Carefully lift up the **Door [05]** and place the **Roller [04]** on the **Support Bar [03]**. Make sure the **Door [05]** is in the groove of the **Guide Block [12]**. (Fig 8.1)
2. Use a matched **Allen Key [11]** to unscrew the **Limit Stop [01]** on the door end and adjust it to the position **2.76"** minimum away from the wall. Tighten the screw of **Limit Stop [01]** to secure it. Slightly push the **Door [05]** to the wall. The **Water Sealing Strip [13]** should be touched the wall. If it doesn't, adjust the position of the **Limit Stop [01]** again. (Fig 8.2)
3. Slightly push the **Door [05]** to the wall to check if the **Water Sealing Strip [13]** align with the wall. If it doesn't, loosen the **Screw of Roller [04]** and turn the **Eccentric Block** to adjust the position of **Door [05]**. Adjust the other **Roller [04]** if needed. Remember to retighten the screw after the adjustment. (Fig 8.3, Fig 8.4)
4. Unscrew another **Limit Stop [01]** on the end of **Fixed Panel [02]** and adjust it to the position **3.6"** minimum away from the wall. Tighten the screw of **Limit Stop [01]** to secure it. (Fig 8.5)

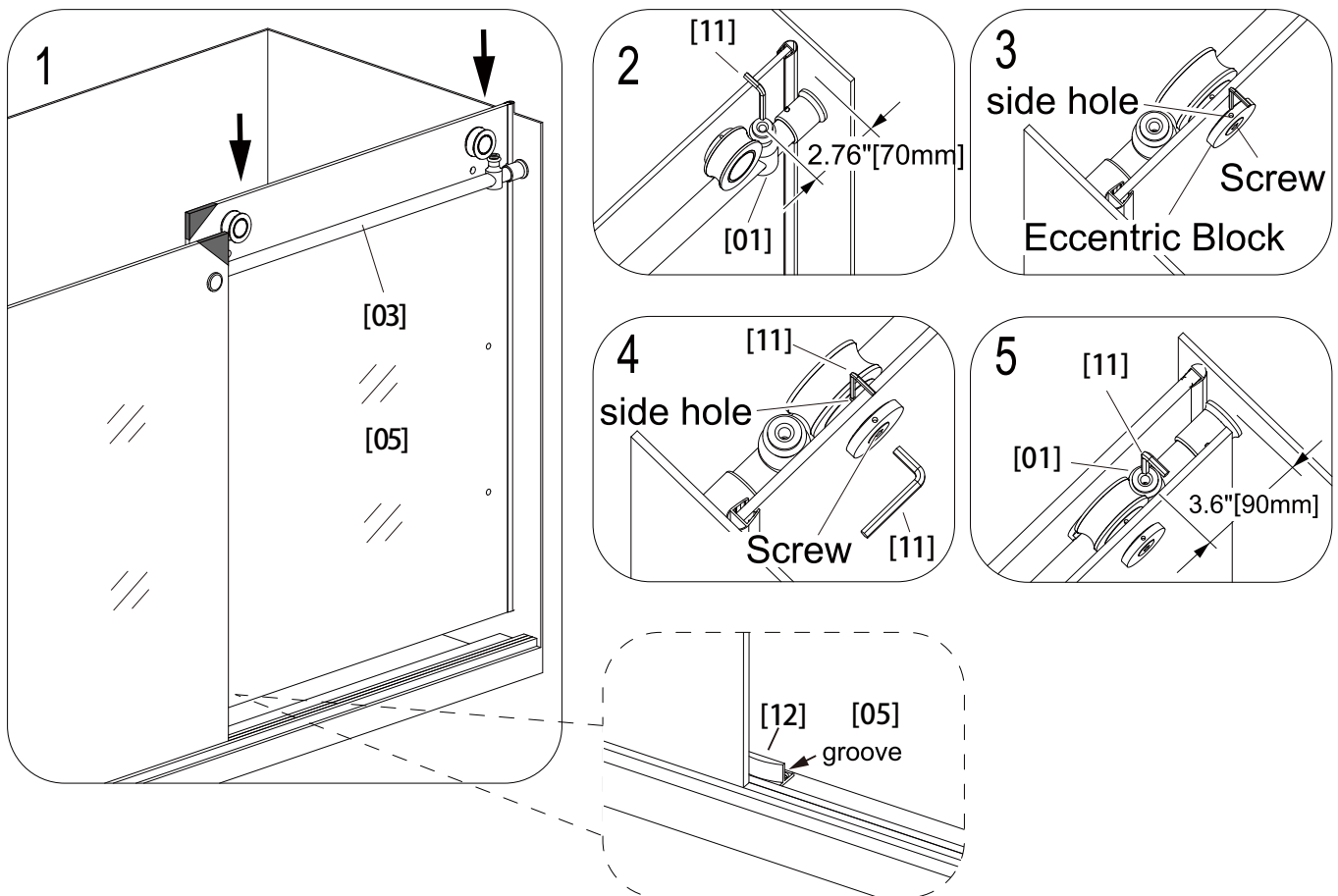


Fig 8

Step 9

1. Disassemble the **Roller Guards [19]** and install it to the **Door [05]** as the figure shows. (Fig 9)
2. Install the **Rod** and one **Washer** from the front of the **Door [05]**, install the **Nut** assembly from the back of **Door [05]**. Hold the **Rod** by hand and use a matched **Allen Key [11]** to stick to the side hole of the **Nut** and tighten it to secure. If the **Rod** is too close to the **Support Bar [03]**, turn the **Nut** in counter-clockwise.

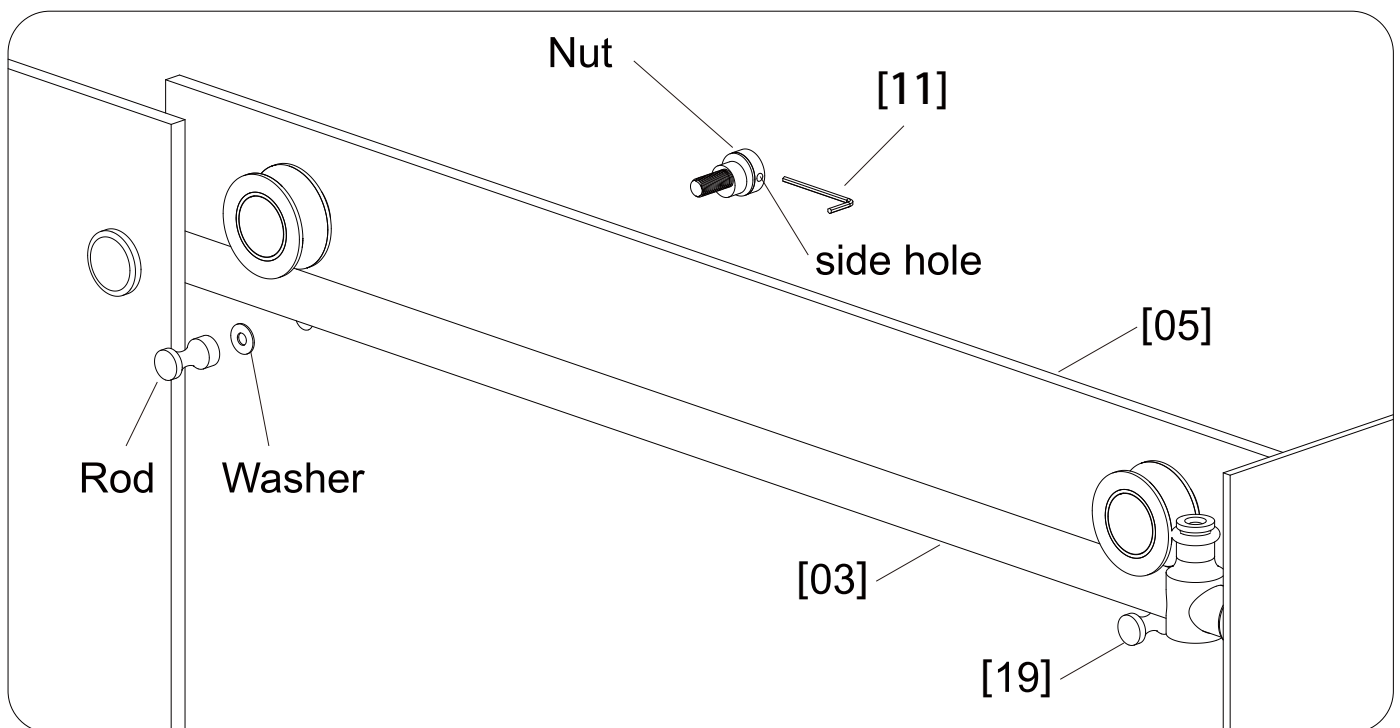


Fig 9

Step 10

1. Remove the **Corner Protectors** and install a **Water Sealing Strip [17]** to the side of **Door [05]**. Make sure the end of **Water Sealing Strip [17]** installed to the **Door [05]** is aligned with the bottom of it. If the **Water Sealing Strip [17]** is longer than the **Door [05]** after installation, cut it to correct length. The **flange** should be faced outside. (Fig 10.1)
2. Remove the **Corner Protectors** and install the **Water Sealing Strip [17]** to the side of **Fixed Panel [02]**. Make sure the end of **Water Sealing Strip [17]** installed to **Fixed Panel [02]** is **0.08" [2mm]** above from the **Bottom Rail [15]**. If the **Water Sealing Strip [17]** is longer than the **Fixed Panel [02]** after installation, cut it to correct length. The **flange** should be faced inside. (Fig 10.3)
3. Cut a section from the top of the **Water Sealing Strips [17]** using the measurements from Fig 10.2 & Fig 10.4.

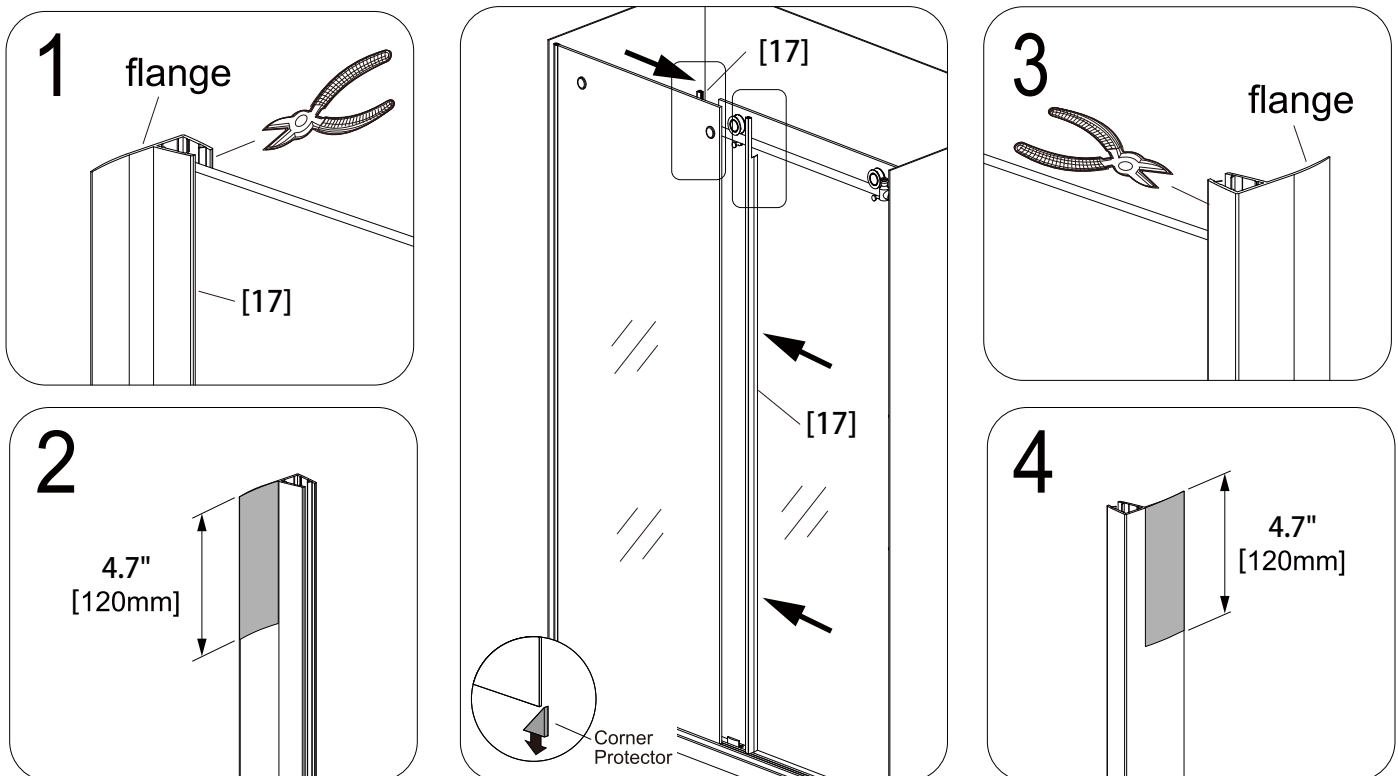


Fig 10

Step 11

1. Disassemble the **Handle Set [06]** and install to the **Door [05]**. Install **Handle, Flange** and **Washer** from the front of the **Door [05]**. Install **Washer, Lever** and **Fixed Block** from the back of the **Door [05]**. (Fig 11.1)

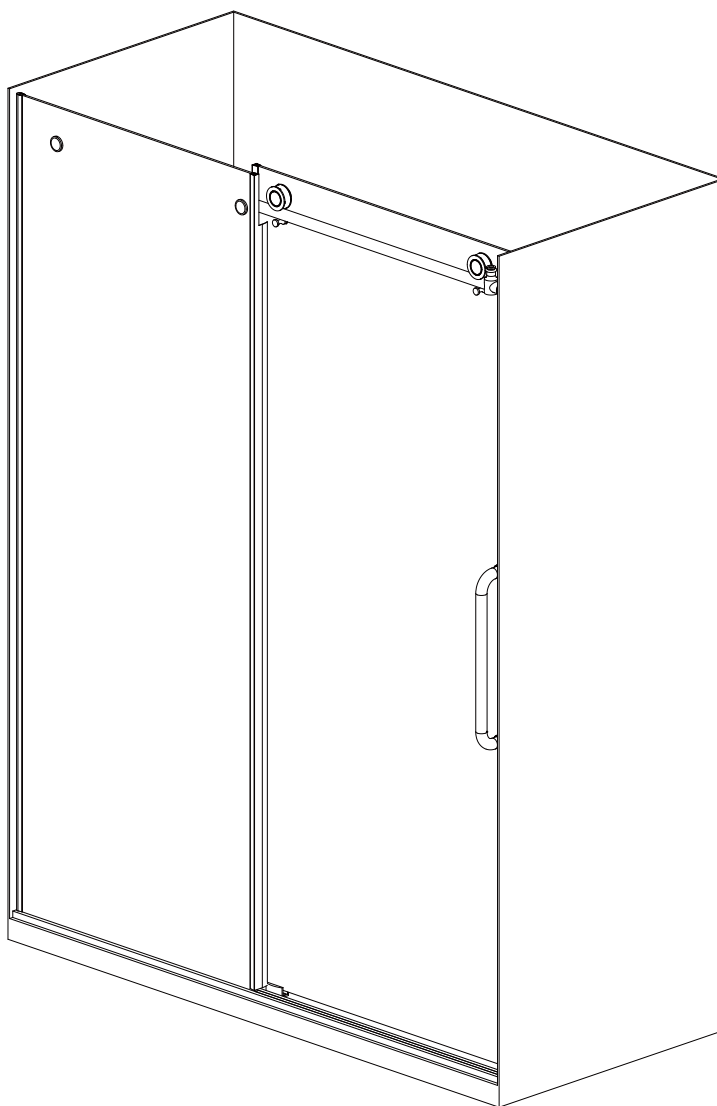
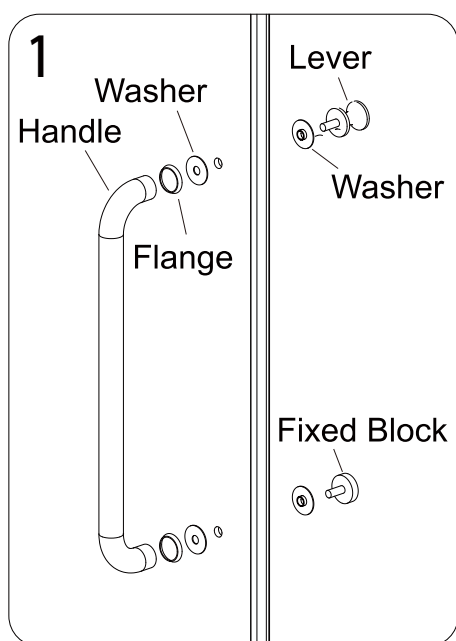


Fig 11

Step 12

1. Apply a good quality Silicone Sealant at the inner corner form by the **Bottom Rail [15]** and **Threshold**, inner corner form by the **Bottom Rail [15]** and **Fixed Panel [02]**. (Fig 12)



Allow 24 hours for the silicone to fully cure before using the shower.

Use **Silicone cleaner [20]** to smooth and clean up the silicone.

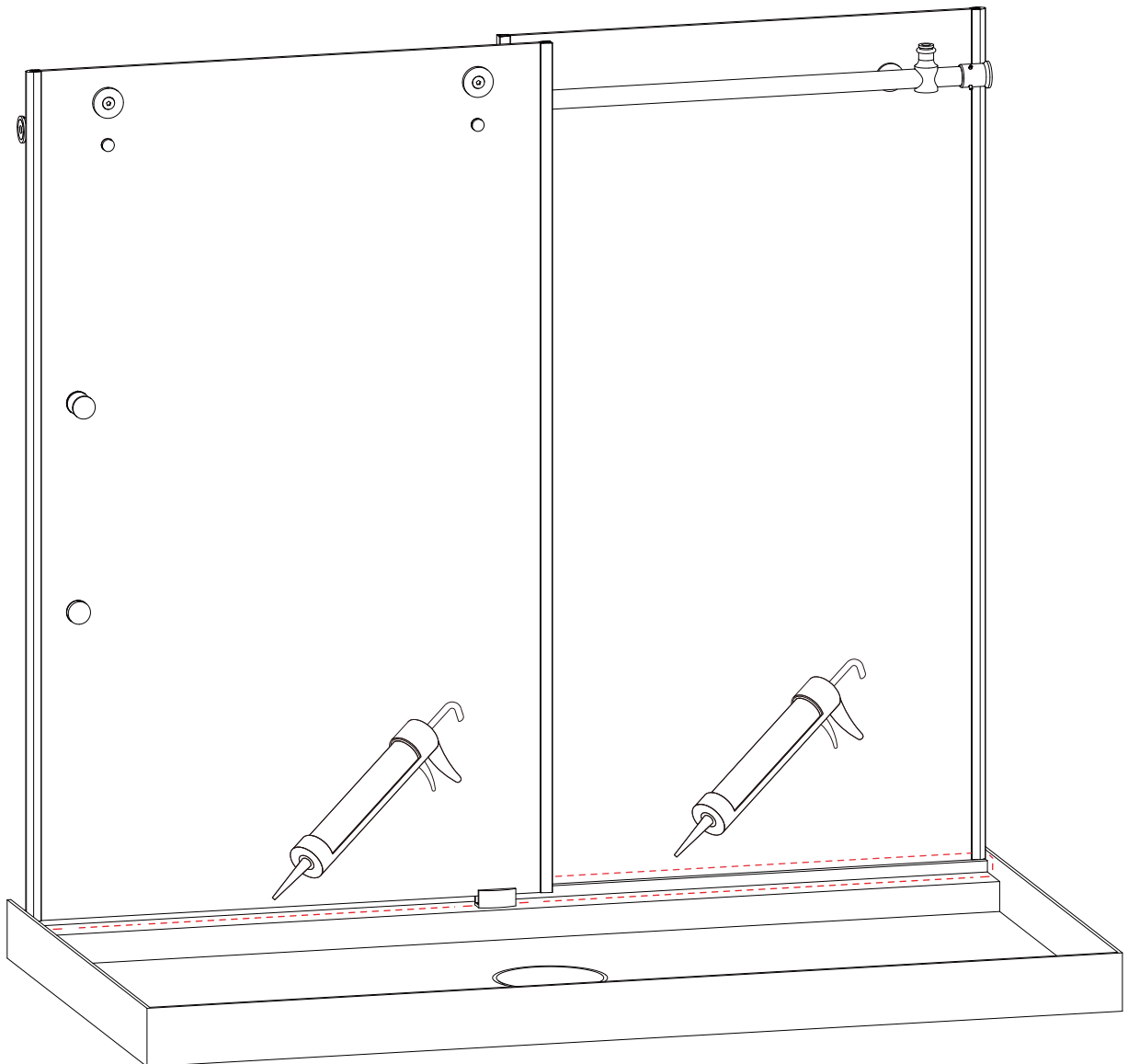
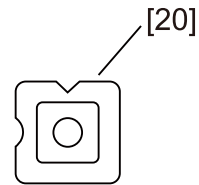


Fig 12

LEFT SIDE INSTALLATION

The previous steps are for right side installation. For left side installation, please follow the instructions below.

1. Install the shower door by following **Step 1, Step 2**.
2. Reverse the **Support Bar [03]** in **Step 3** and install. Loosen the screws of the **Limit Stops [01]** and turn them upward. Tighten the screws again to secure the **Limit Stops [01]**.
3. Reverse the **Door [05]** as in **Step 5** and install.
4. Reverse the **Fixed Panel [02]** as in **Step 6** and install.
5. Continue by following Steps 4, 7 - 12.

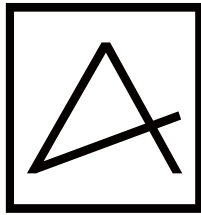
Care & Maintenance

BASES/TUBS and BACK WALLS: Wipe them off after each use with a soft cloth. To clean the acrylic surface, use non-abrasive sprays or cream based cleaners. Avoid the use of aerosol spray cleaners. Never use abrasive cleansers, metal brushes, or scrapers, as they can scratch or dull the surface.

GLASS: Wipe off the glass after each use with either a soft cloth or a squeegee to prevent soap buildup and water spots (hard water can etch the surface of the glass over time if left to dry). To avoid damaging the surface, never use abrasive cleaners or cleaning products that contain scouring agents. Likewise, never use bristle brushes or abrasive sponges that can scratch the surface.

HARDWARE: To ensure a long-lasting finish, wipe off the metal parts after using with a soft cloth. Do not use abrasive cleaners or cleaning products containing ammonia, bleach, or acid. If accidentally used, rinse the surface as soon as possible to prevent damage to the finish (peeling or corrosion). After cleaning the polished finishes, rinse thoroughly and wipe dry with a soft cloth. Clean stainless steel surfaces at least once a week. When applying stainless steel cleaner or polish to stainless steel hardware, work with (not across) the grain. Never use an abrasive sponge or cloth, steel wool, or wire brush, which may permanently scratch the surfaces.

NOTE: Regularly inspect the glass and all hardware for misalignment, proper attachment, and damage. Contact ANZZI with any questions or concerns.



ANZZI®