

ASSEMBLY INSTRUCTION

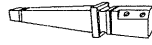
531 - 14 BENCH WITH APRON AND LEG

A BENCH TOP



1 PC

B BENCH LEG



4 PCS

C ALLEN WRENCH M4



1 PC

D JCBC M6 x 70MM



8 PCS

E SPRING WASHER M6

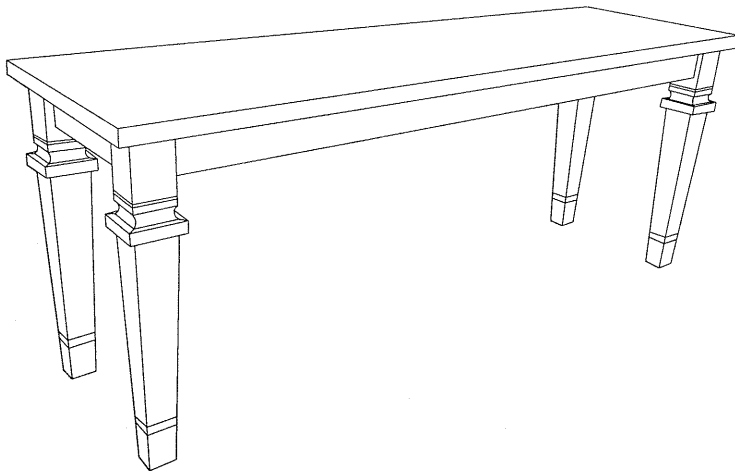


8 PCS

F FLAT WASHER M6 x 2MM



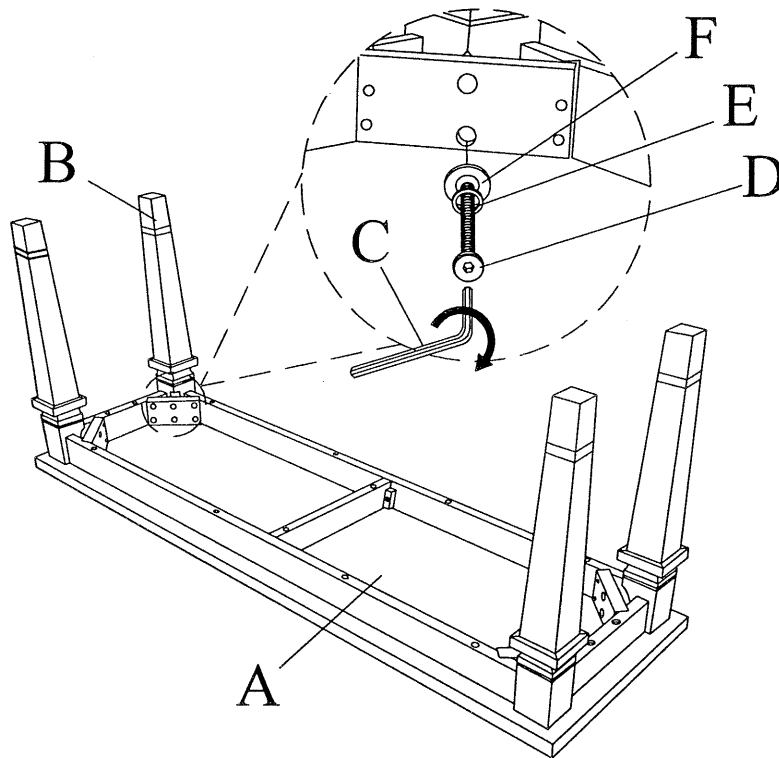
8 PCS



This Page lists all the contents included in the box . Please take the time to identify the hardware as well as the individual components to this product . As you unpack and prepare for assembly , place the contents on a carpeted or padded area to protect them from damage .

1 Place bench top(A) upside down on soft surface. Align and fasten all legs(B) to table top(A) using bolt(D), spring washer(E) and flat washer(F) and tighten with Allen wrench(C).

*****Do not fully tighten the nut or bolt until all nuts and bolts are attached.**



Cleaning & Care

Treat Surface with care. Surface is resistant to scratches but is not scratch resistant. Clean surface with a dry or damp soft cloth. Do not use abrasive cleaners. Hardware may loosen over time. Periodically check that all connections are tight.