

# POLYWOOD®

Sustainable Outdoor Furniture



CLIMATETUFF™  
MATERIALS



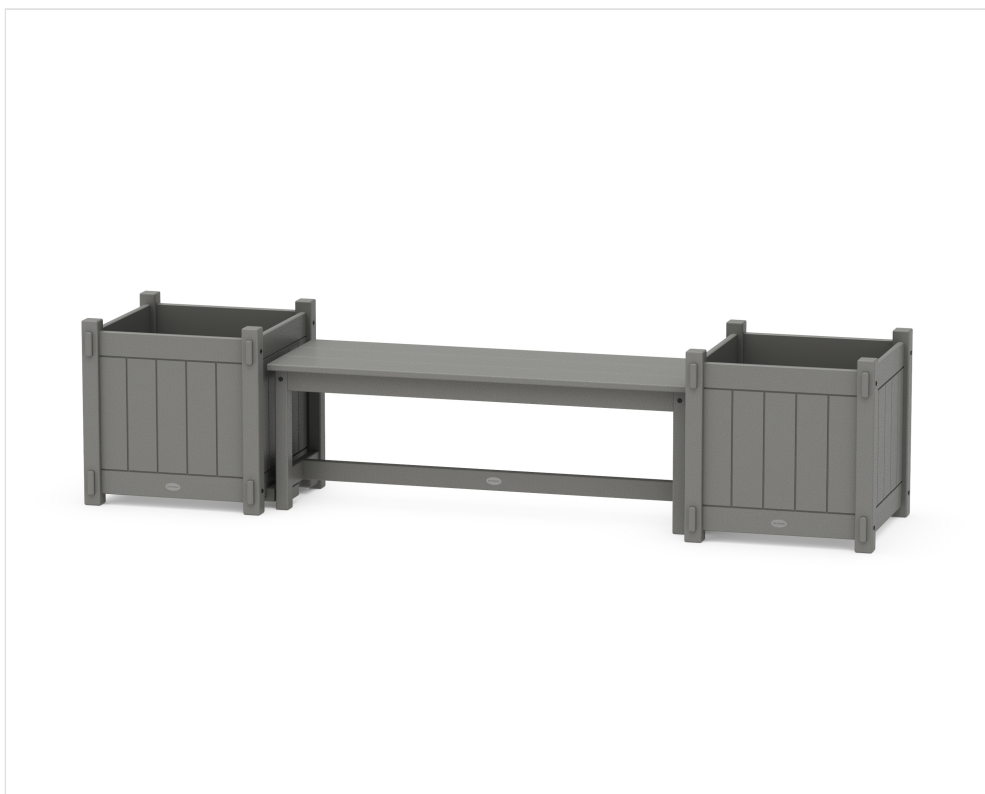
COLORSTAY™  
TECHNOLOGY



MADE IN  
THE USA



CONSCIOUSLY  
CRAFTED



## 48" Vineyard Straight Planter Bench Set - Large

**BRAND** | POLYWOOD®

**COLLECTION** | Vineyard

**SKU** | PWS3017-1

### SET WEIGHT + DIMENSIONS

|  |                             |
|--|-----------------------------|
| Overall Set Weight   | 124.0 lbs                   |
| Recommended Minimum Space<br>(Based on pictured configuration) | 92.0" W x 21.0" H x 22.0" D |

### INDIVIDUAL ITEM DIMENSIONS

| Qty | NAME                              | SKU    | DIMENSIONS (W x H x D)  |
|-----|-----------------------------------|--------|-------------------------|
| 1   | 48" Planter Bench                 | BNP48  | 48.0" x 16.75" x 16.38" |
| 2   | Vineyard Large Square Planter Box | 6311S  | 21.53" x 21.0" x 20.73" |
| 2   | Modular Planter Connection Block  | P15675 | 1.5" x 4.0" x 12.5"     |

### AVAILABLE LUMBER COLORS

