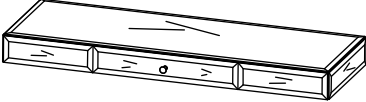

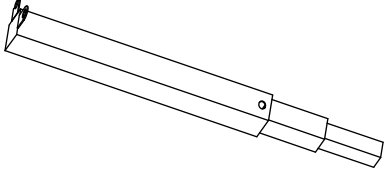
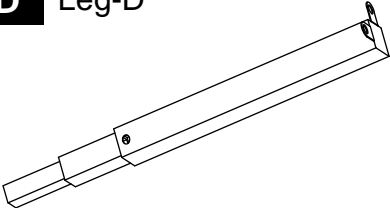
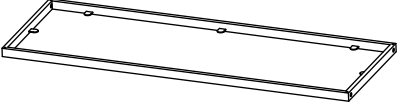

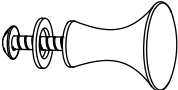
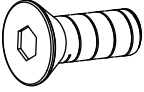
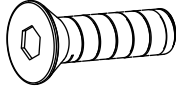
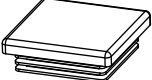

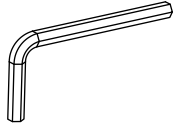
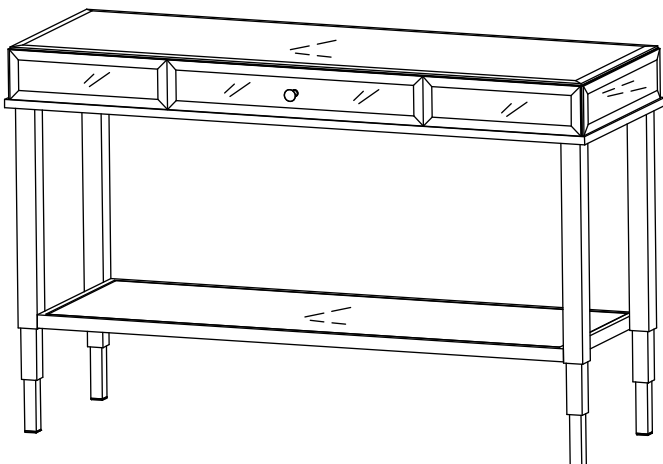


# ASSEMBLY INSTRUCTION

## E428-T(3A) MIRROR SOFA TABLE TV STAND WITH DRAWER

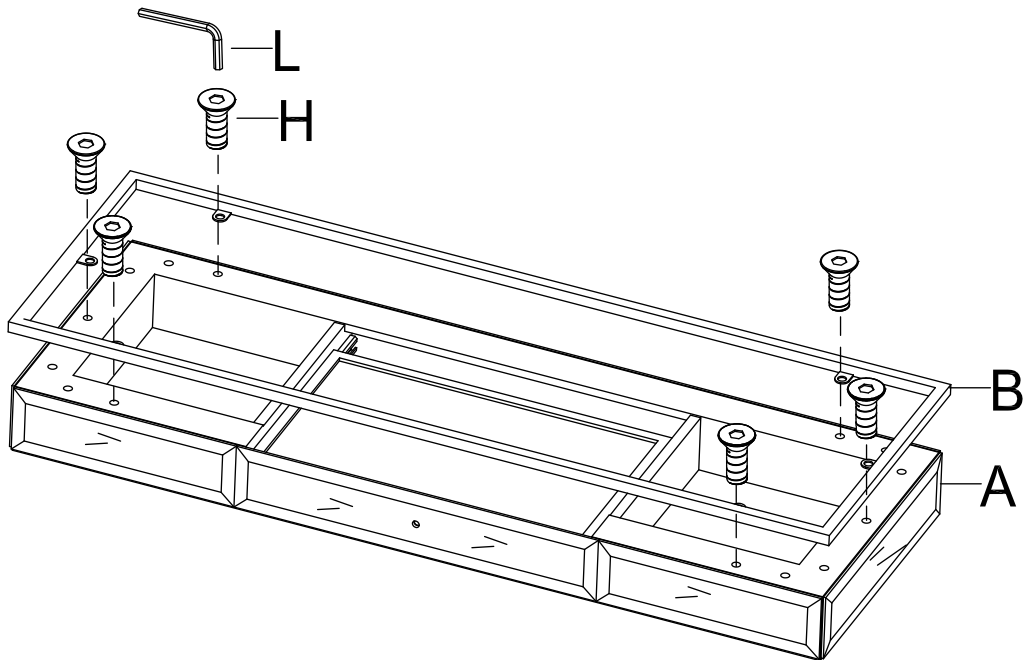
<b>A</b> Mirrored Top  1pc	<b>B</b> Top Frame  1pc	<b>C</b> Leg-C  2pcs
<b>D</b> Leg-D  2pcs	<b>E</b> Bottom Frame  1pc	<b>F</b> Mirror Shelf  1pc
<b>G</b> Drawer Knob w/ Plastic Washer ** Pre-attached to the inside of drawer **  1pc	<b>H</b> Bolt 1/4" X 5/8"  14pcs	<b>I</b> Bolt 1/4" X 1"  4pcs
<b>J</b> End Cap  4pcs	<b>K</b> Glass Pad  8pcs	<b>L</b> Allen Wrench  1pc



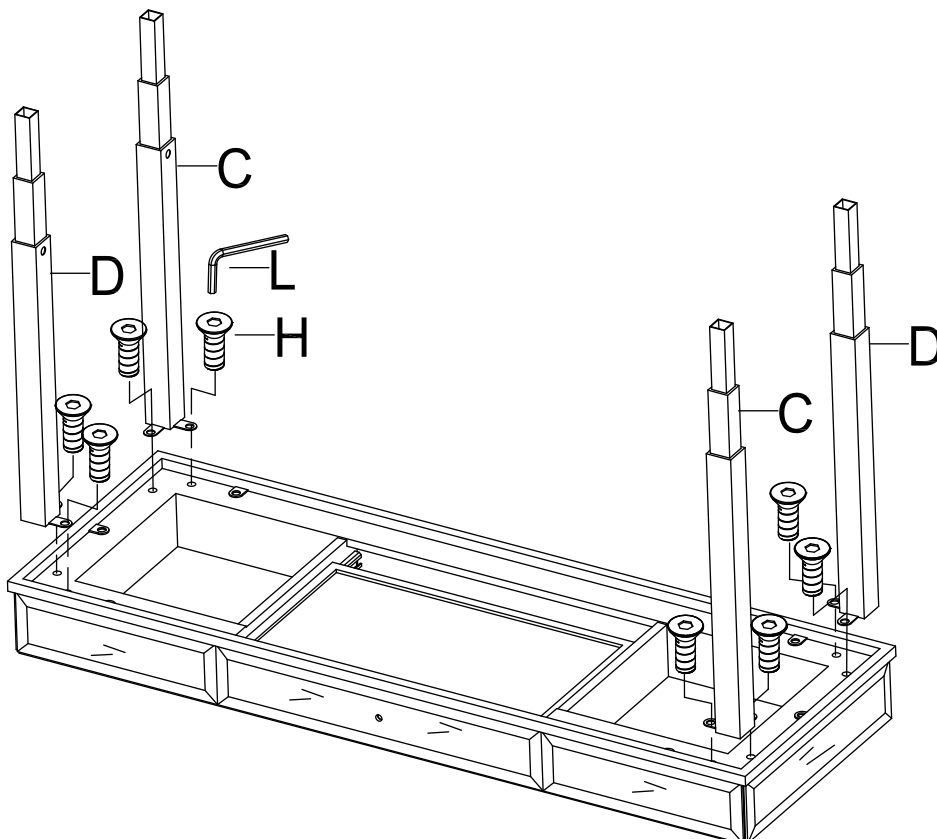
This page lists all the contents included in the box. Please take the time to identify the hardware as well as the individual components to this product. As you unpack and prepare for assembly, place the contents on a carpeted or padded area to protect them from damage.

**\*\*\* Do not tighten screws & bolts until the entire unit is completely assembled.**

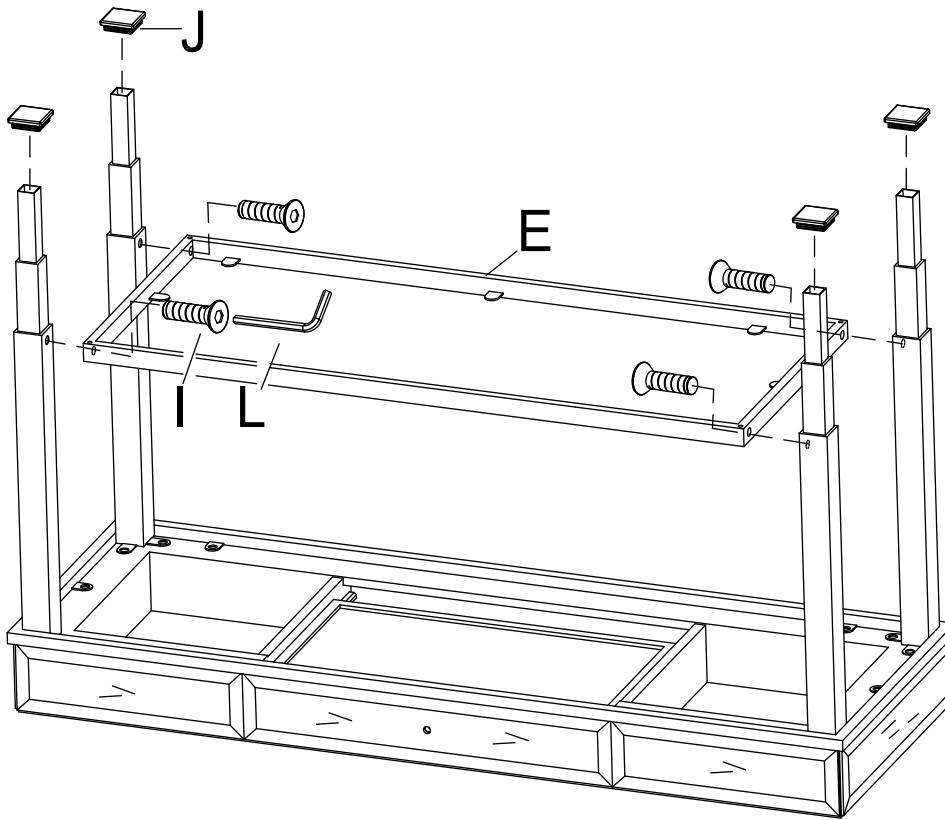
**1** Attach top frame (B) to mirrored top (A) by using bolt (H) and allen wrench (L) as shown.



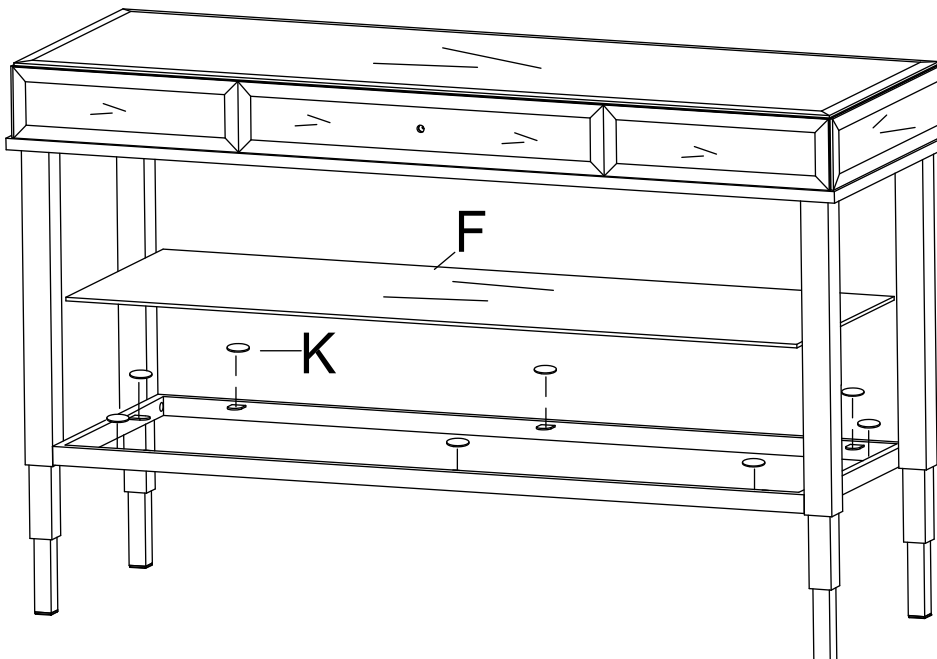
**2** Attach leg-C (C) and leg-D (D) to mirrored top (A) by using bolt (H) and allen wrench (L) as shown.



- 3** Attach bottom frame (E) to leg-C (C) and leg-D (D) by using bolt (I) and allen wrench (L) as shown.  
Attach end cap (J) to leg-C (C) and leg-D (D). Please tighten all bolts at this step.

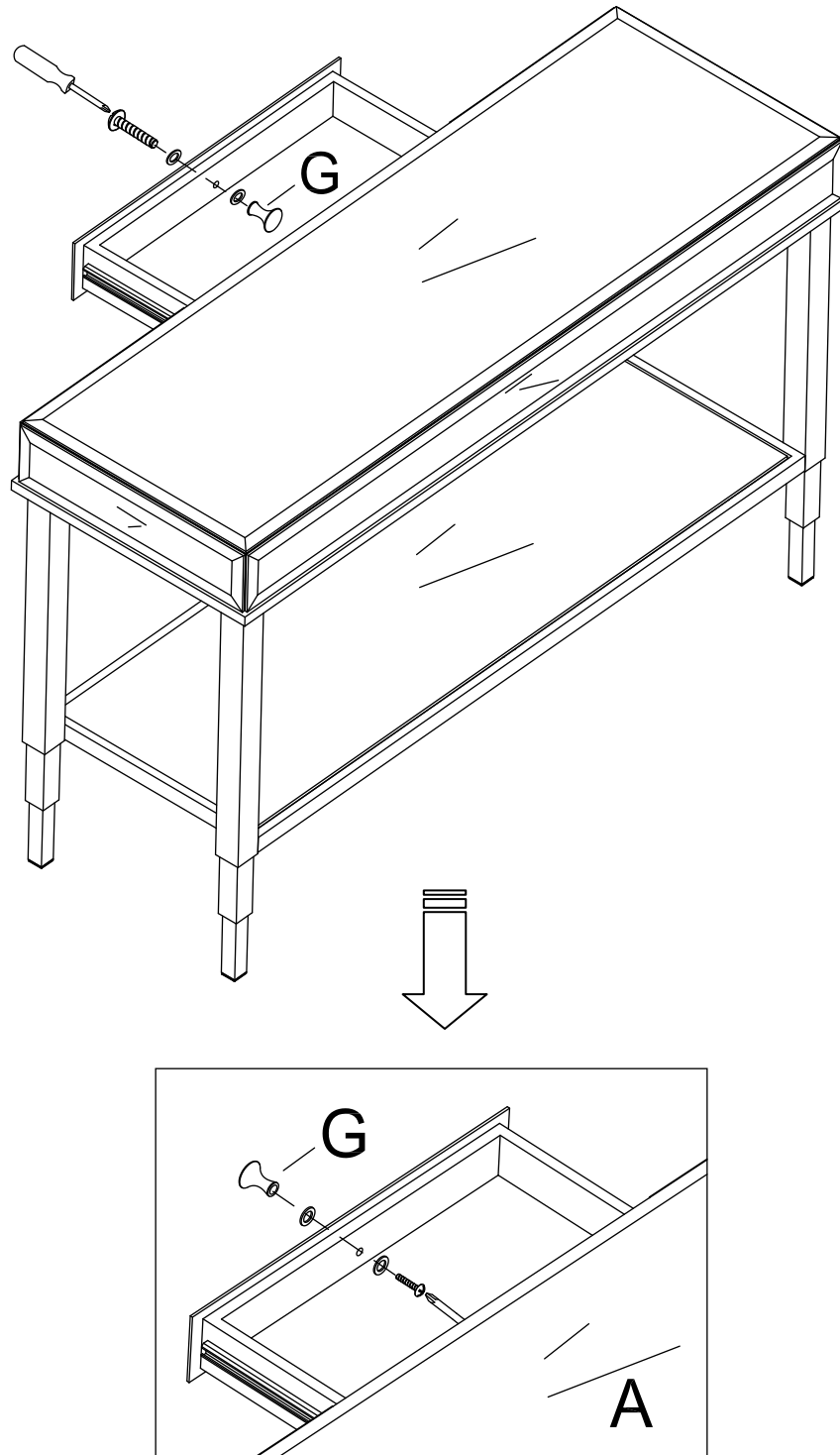


- 4** Carefully turn the assembled unit upright.  
Attach glass pad (K) to bottom frame (E), and then place mirror shelf (F) into bottom frame (E) as shown.



**5** Remove drawer knob w/ plastic washers (G) from inside of the drawer, and then reattach to drawer front as shown. The mirror sofa table TV stand assembly is now completed.

- © - The two plastic washers are for the purpose of protecting mirror surface. Please place one of the washers inside of the drawer and place the other one between front of the drawer and drawer knob.



### Cleaning & Care

Treat surface with care. Surface is resistant to scratches but is not scratch resistant. Clean surfaces with a dry or damp soft cloth. Do not use abrasive cleaners. Hardware may loosen over time. Periodically check that all connections are tight.