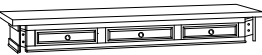

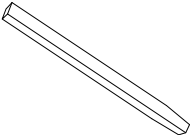


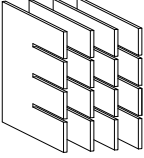
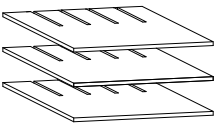
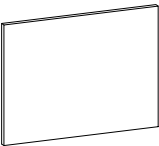




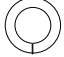


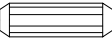
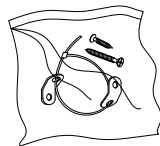
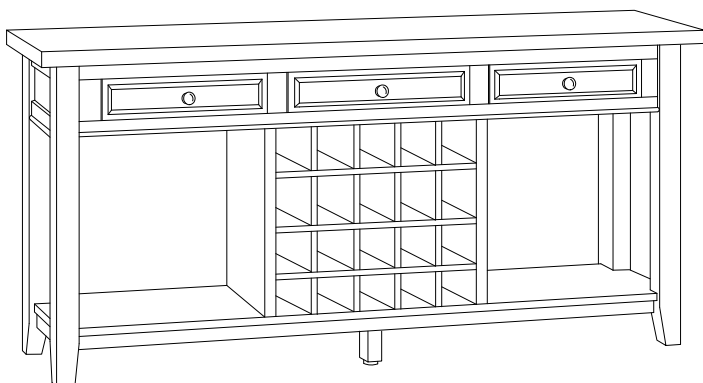


# ASSEMBLY INSTRUCTION

## 530-40B(N1) SERVER

<b>A</b> Server Top  1 pc	<b>B</b> Shelf  1 pc	<b>C</b> Leg  4 pcs	<b>D</b> Center Vertical Panel (Left)  1 pc	<b>E</b> Center Vertical Panel (Right)  1 pc
<b>F</b> Wine Rack (Vertical)  4 pcs	<b>G</b> Wine Rack (Horizontal)  3 pcs	<b>H</b> Back Panel  1 pc	<b>I</b> Bottom Leg Support  1 pc	<b>J</b> JCBC Bolt M8 x 60mm  12 pcs
<b>K</b> JCBC Bolt M6 x 40mm  8 pcs	<b>L</b> Flat Washer M8 x 16mm  20 pcs	<b>M</b> Spring Washer 5/16"  20 pcs	<b>N</b> Allen Key M6  1 pc	<b>O</b> Allen Key M4  1 pc
<b>P</b> Wooden Dowel Ø10 x 30mm  4 pcs	<b>Q</b> Anti-Tipping Kit  1 set			

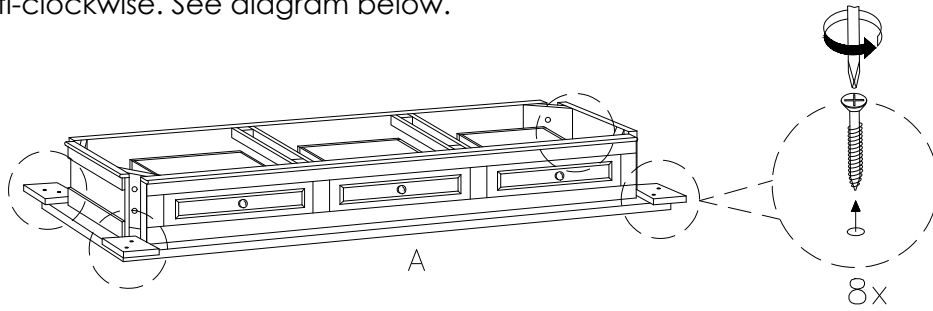


This page lists all the contents included in the box. Please take the time to identify the hardware as well as the individual components to this product. As you unpack and prepare for assembly, place the contents on a carpeted or padded area to protect them from damage.

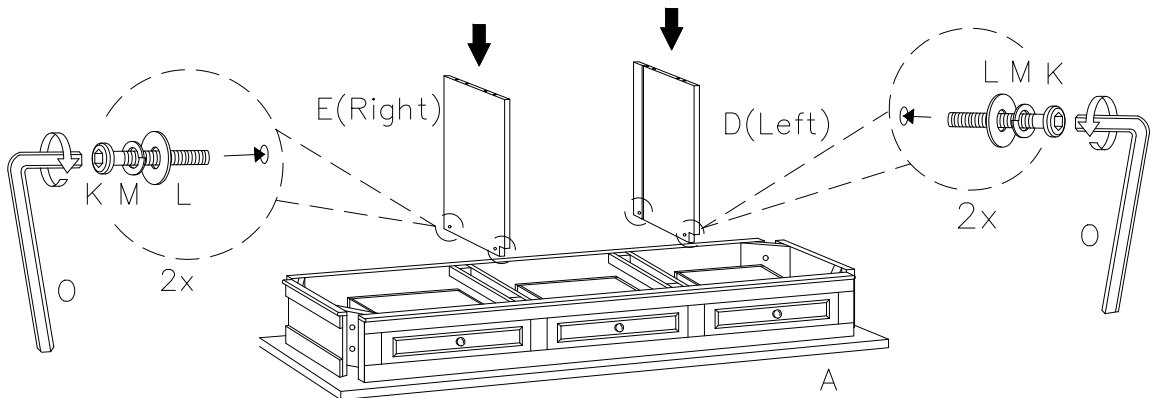
### IMPORTANT NOTE :

1. Do not tighten all screws / bolts until all completely assembled.
2. Keep all hardware parts out of reach of children.

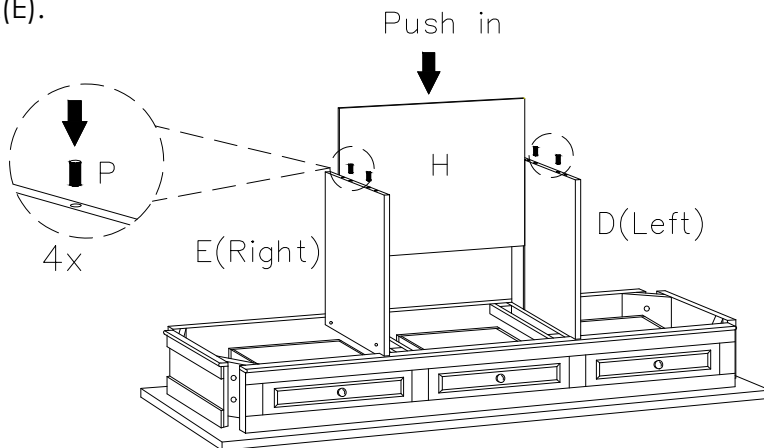
- 1** Turn the Server Top (A) upside down on a protective surface such as carpet or other soft material. Remove the square block which screwed at the four corners of Server Top. Turn the screw anti-clockwise. See diagram below.



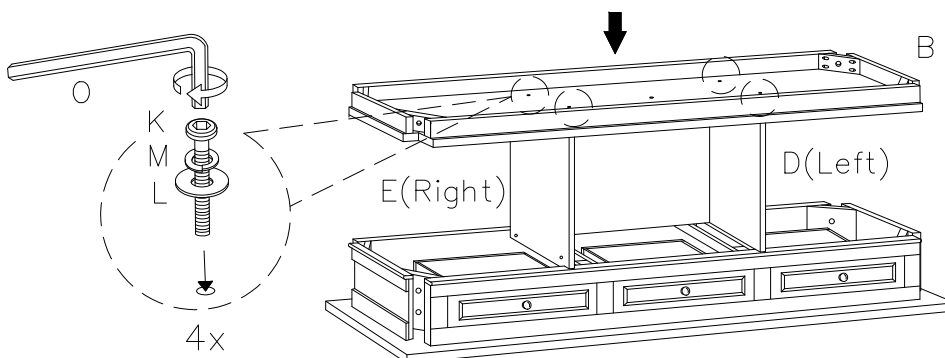
- 2** Insert Left & Right Center Vertical Panel (D)&(E) following the picture below and tighten it with Flat Washer (L), Spring Washer (M) and JCBC Bolt (K) using Allen Key (O).



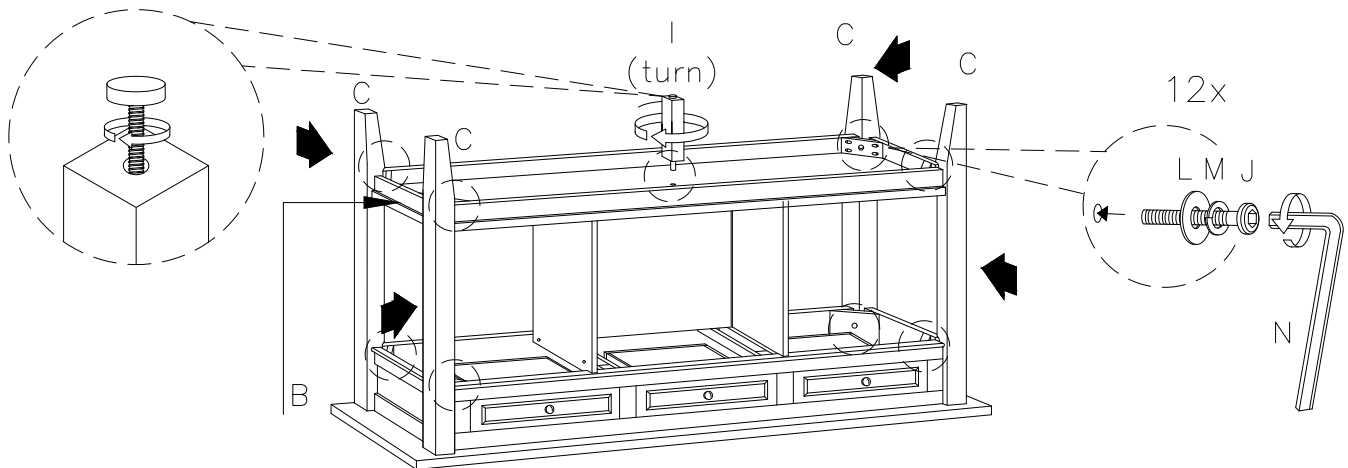
- 3** Push in the Back Panel (H). Then insert Wooden Dowel (P) at the bottom of both Center Vertical Panel (D)&(E).



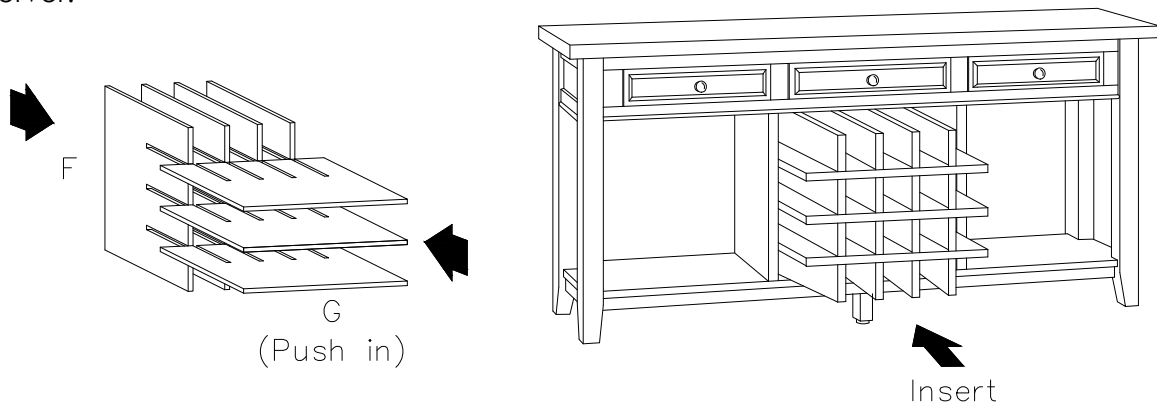
- 4** Align the Wooden Dowel (P) to the dowel holes on Center Vertical Panel (D)&(E) and tighten Center Vertical Panel (D)&(E) and Shelf (B) with Flat Washer (L), Spring Washer (M) and JCBC Bolt (K) using Allen Key (O).



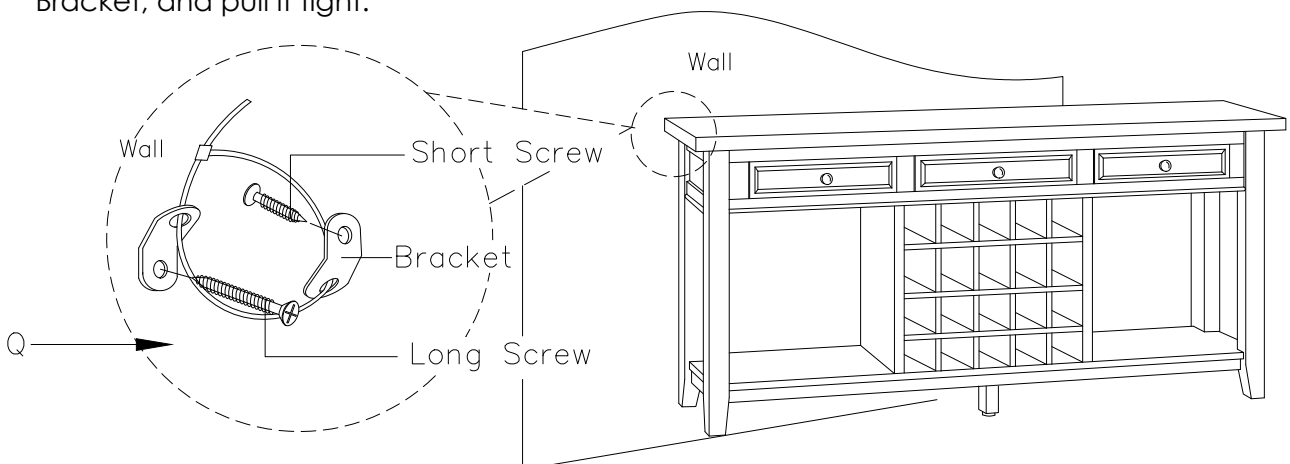
- 5** Place Leg (C) to the corner of apron and tighten it with Flat Washer (L), Spring Washer (M) and JCBC Bolt (J) using Allen Key(N). Repeat the same to the other Legs. Insert and turn the Hanger Bolt of Bottom Leg Support (I) to the hole at the center of Shelf (B). Adjust the leveler to level the unit.



- 6** Turn the Server up on its position. Assemble the Wine Rack (Vertical) (F) to the Wine Rack (Horizontal) (G), following the picture and insert the completed Wine Rack assembly to the Server.



- 7** Attach Anti-Tipping Kit (Q) to wall. Attach Bracket (vertically) to wall using the Long Screw provided. Attach Bracket (vertically) to furniture back (directly below top) with Short Screw. Place Bracket as close to center of furniture back as possible in relation to wall stud and the desired position in the room. Move furniture to its final position. Thread the strap through Bracket, and pull it tight.



### CLEANING & CARE

Treat surface with care. Surface is resistant to scratches but is not scratch resistant. Clean surface with a dry or damp soft cloth. Do not use abrasive cleaners. Hardware may loosen over time. Periodically check that all connections are tight.