

KALLISTA®

Pinna Paletta® by Laura Kirar Thermostatic Shower Trim, Lever Handle P24922-CPH

Features

- High-quality solid-brass construction for durability and reliability
- Required rough-in sold separately
- Precise temperature setting capability
- Patented K-joint installation ensures consistent trim appearance

Required Products/Accessories

P29511-WS 1/2" Thermostatic Mixing Valve

or

P29512-WS 3/4" Thermostatic Mixing Valve

or

P24923-CPH Volume Control Shower Trim, Lever Handle

Adapters, Rough-in and Extension Kits

P29511-WS Range: 2-7/16" (62 mm) -
3-3/4" (95 mm)

Recommended Products/Accessories

P24915-CPH Pressure Balance Shower Trim, Lever Handle

P25656-00 Transitional Handshower with Hose

P24942-00 Transitional Showerhead with Arm

P24931-CPH Towel Bar, 24"



ADA

CSA B651

OBC

Codes/Standards

ASME A112.18.1/CSA B125.1

ADA

ICC/ANSI A117.1

CSA B651

OBC

NOM Standards

NOM 012-CONAGUA

KALLISTA® Five-Year Limited Warranty

See website for detailed warranty
information.

Available Colors/Finishes

Color tiles intended for reference only.

Color Code Description



CP Polished Chrome

1-888-4-KALLISTA (1-888-452-5547)

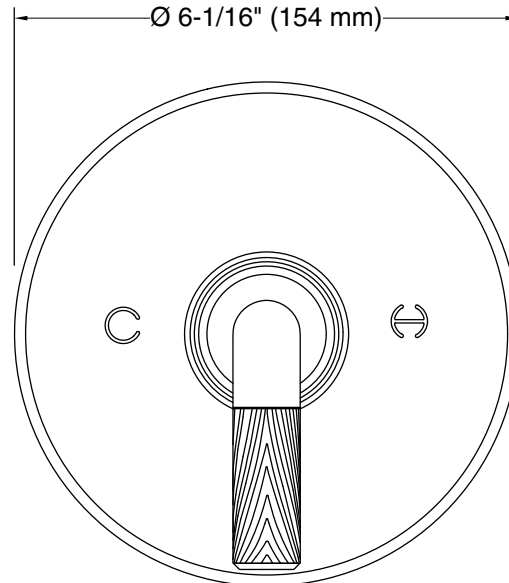
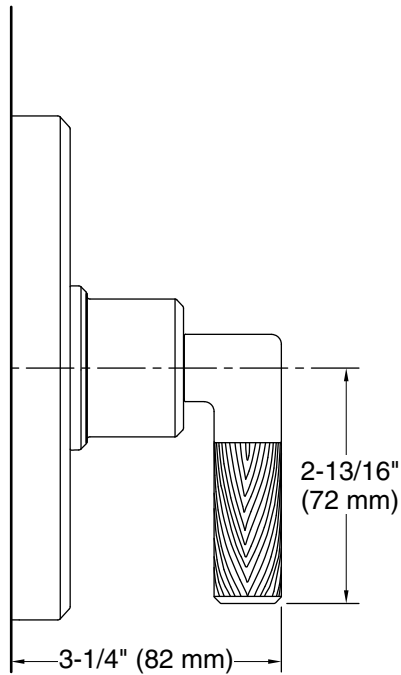
Kallista reserves the right to make revisions without notice to product specifications.

For the most current Specification Sheet, go to www.kallista.com.

2-25-2026 21:47 - US/CA

KALLISTA®

Pinna Paletta® by Laura Kirar
Thermostatic Shower Trim, Lever Handle
P24922-CPH



Technical Information

All product dimensions are nominal.

Notes

Install this product according to the installation instructions.

ADA, OBC, CSA B651 compliant when installed to the specific requirements of these regulations.