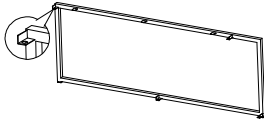


ASSEMBLY INSTRUCTIONS

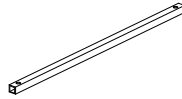
TEXTURED MIRROR TOP NESTING COFFEE TABLE

A Large Right Frame



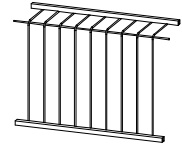
1pc

B Large Stretcher



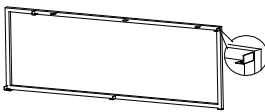
2pcs

C Large Side Frame



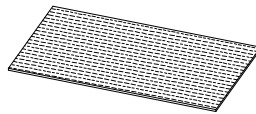
1pc

D Large Left Frame



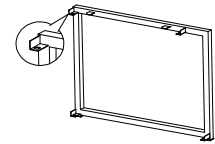
1pc

E Large Textured Mirror



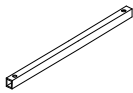
1pc

F Small Right Frame



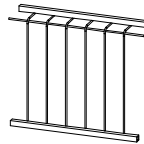
1pc

G Small Stretcher



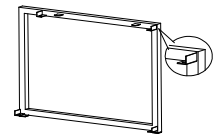
2pcs

H Small Side Frame



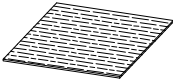
1pc

I Small Left Frame



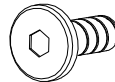
1pc

J Small Textured Mirror



1pc

K Bolt
1/4" x 1/2"



16pcs

L Glass Pad
10Φ x 1mm



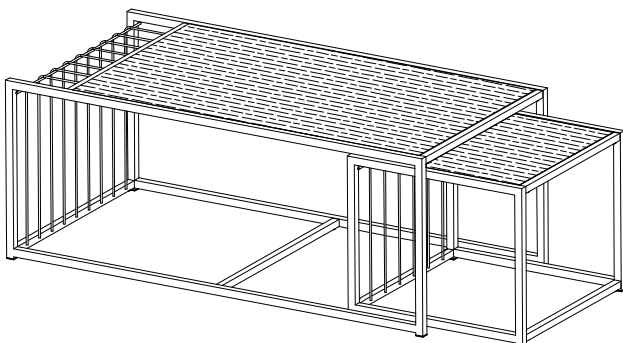
10pcs

M Allen Wrench

1/4"



1pc



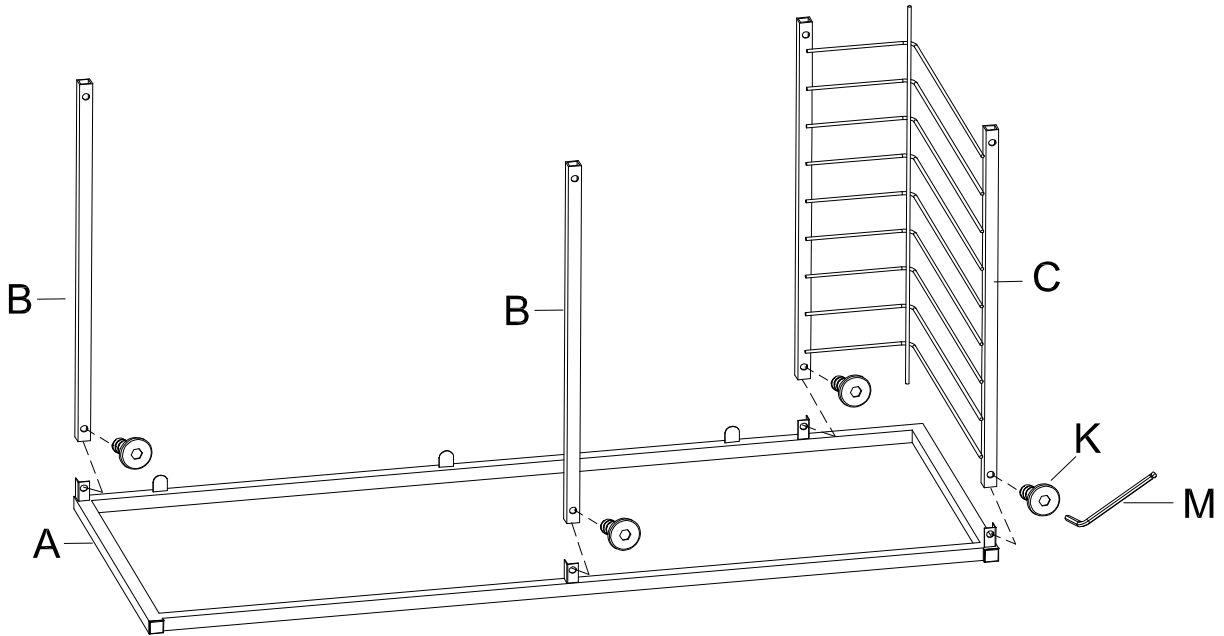
This page lists all the contents included in the box. Please take the time to identify the hardware as well as the individual components to this product. As you unpack and prepare for assembly, place the contents on a carpeted or padded area to protect them from damage.

***** Do not tighten screws & bolts until the entire unit is completely assembled.**

1

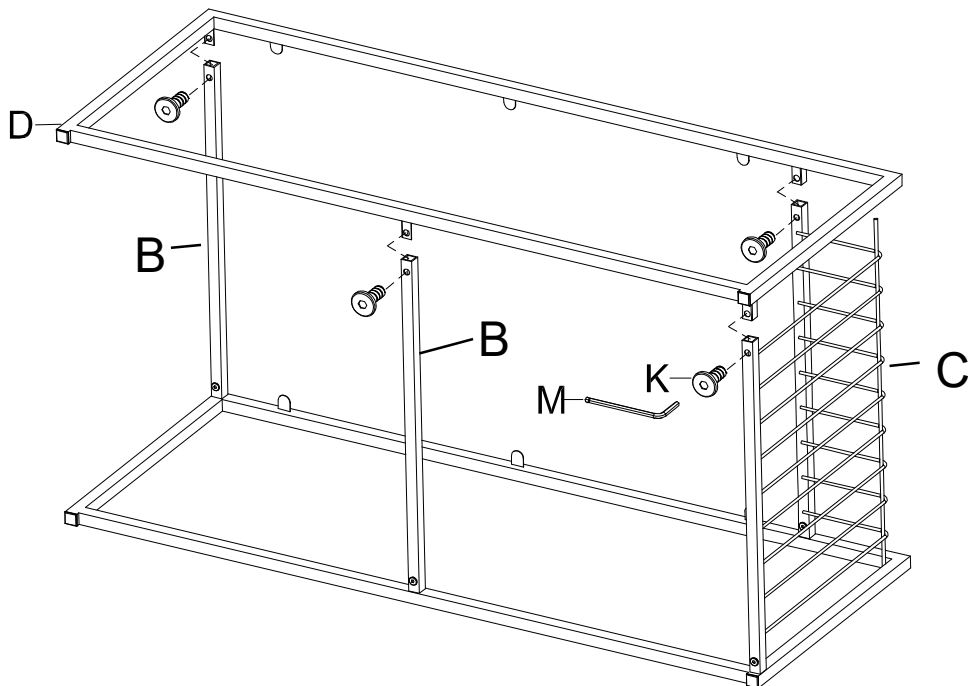
Large Table

Attach the Large Stretcher (B) and the Large Side Frame (C) to the Large Right Frame (A) using Bolt (K) with the Allen Wrench (M).

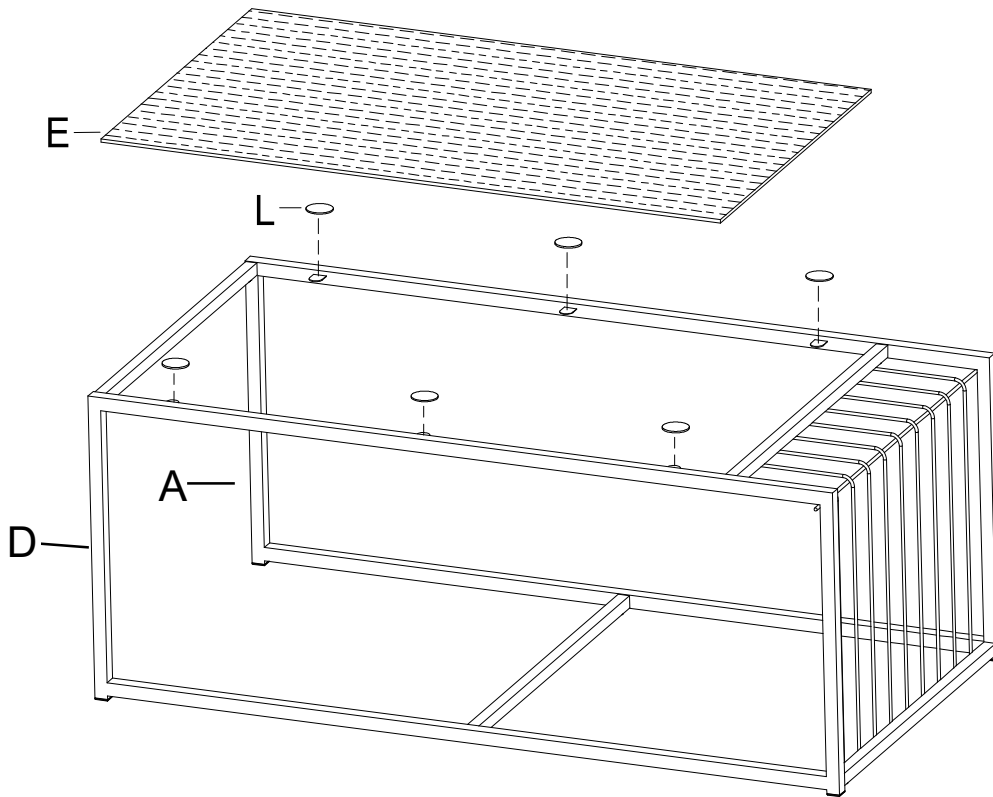


2

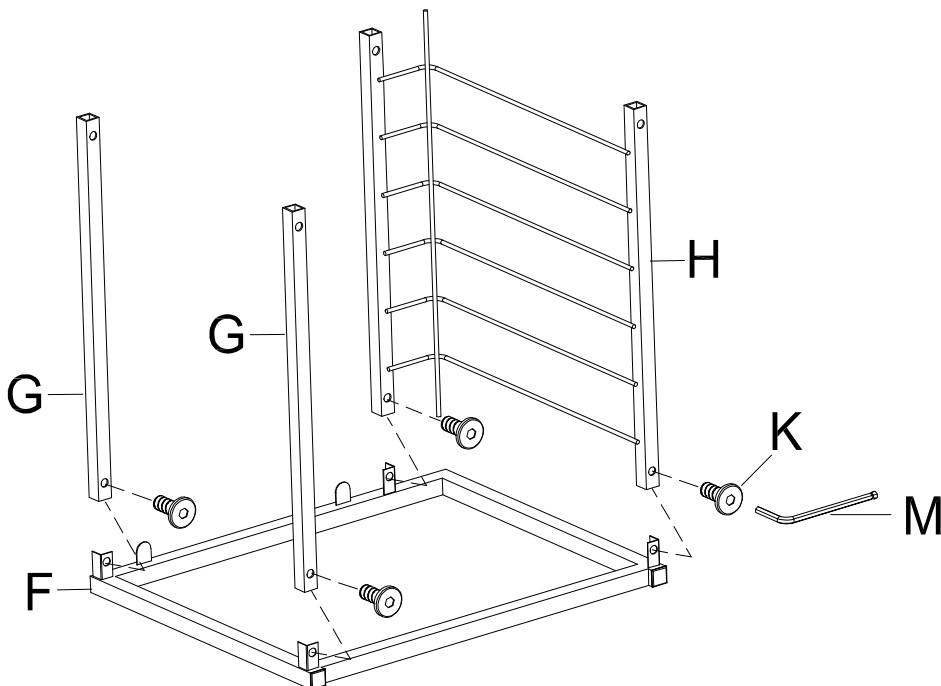
Attach the Large Left Frame (D) to the Large Stretcher (B) and the Large Side Frame (C) using Bolt (K) with the Allen Wrench (M).



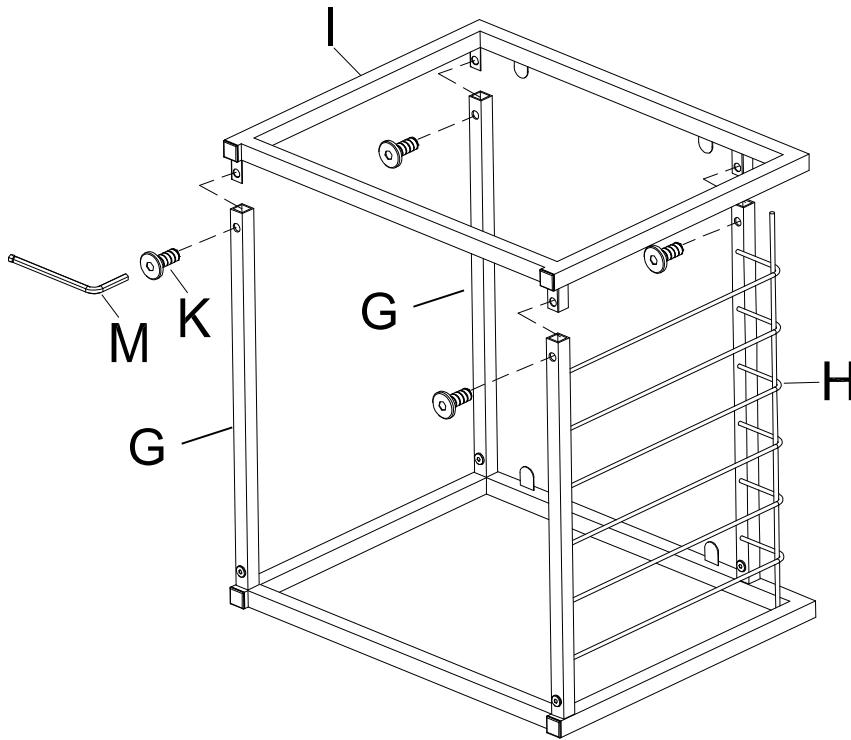
- 3** Stand the Large Table upright. Place 6pcs of Glass Pad (L) on the Large Left & Right Frame (A & D). Then carefully place the Large Textured Mirror (E) on the top.



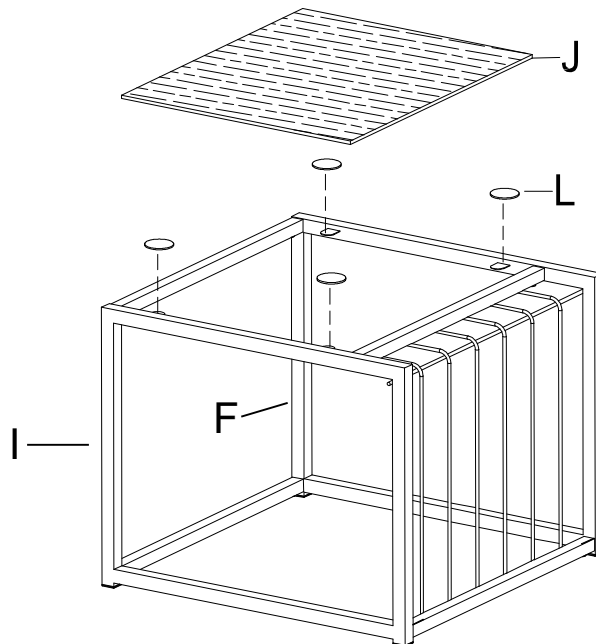
- 4** **Small Table**
Attach the Small Stretcher (G) and the Small Side Frame (H) to the Small Right Frame (F) using Bolt (K) with the Allen Wrench (M).



- 5** Attach the Small Left Frame (I) to the Small Stretcher (G) and the Small Side Frame (H) using Bolt (K) with the Allen Wrench (M).



- 6** Stand the Small Table upright. Place 4pcs of Glass Pad (L) on the Small Left & Right Frame (I & F). Then carefully place the Small Textured Mirror (J) on the top.



Cleaning & Care

Treat surfaces with care. Surfaces are resistant to scratches but are not scratch resistant. Clean surfaces with a dry or damp soft cloth. Do not use abrasive cleaners. Hardware may loosen over time. Periodically check that all connections are tight.