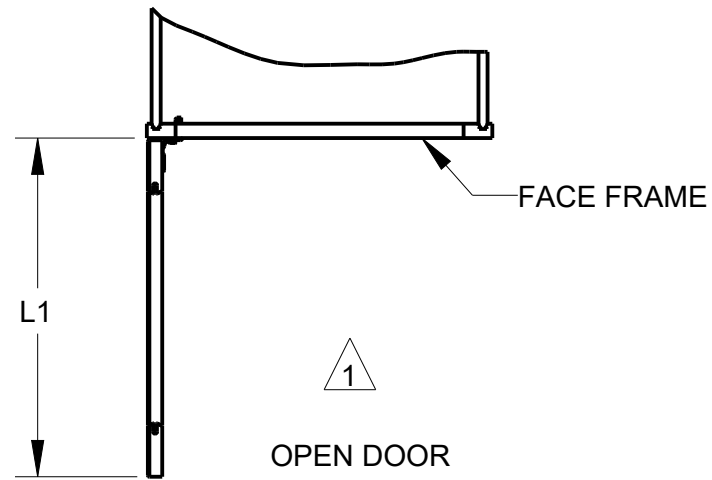
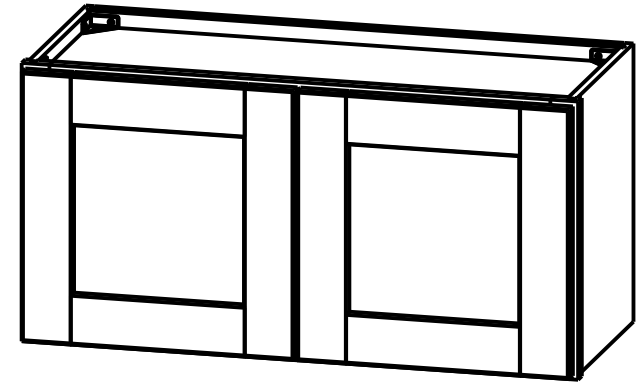
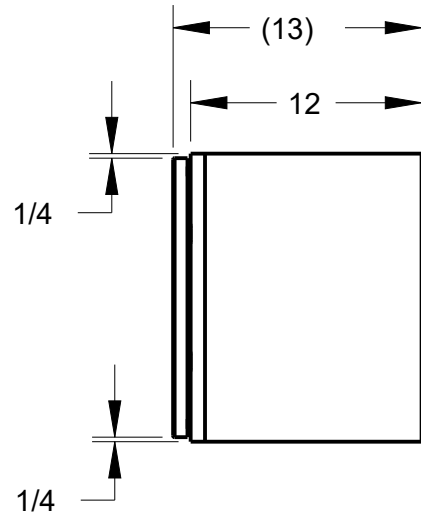
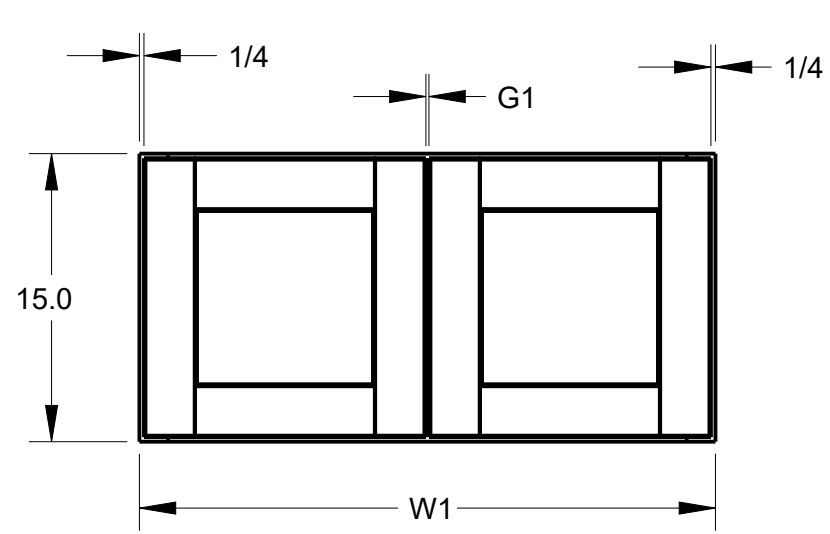


NOTES:

1 OPEN DOOR VIEW INCLUDES HINGE SPACE OFFSET.



PRODUCT	W1	L1	G1	DOOR SIZE
			ROUNDED TO THE NEAREST 1/32	
W3015	30"	14 13/16"	(5/32")	14 11/16" X 14 17/32"
W3315	33"	16 5/16"	(5/32")	16 3/16" X 14 17/32"
W3615	36"	17 13/16"	(5/32")	17 11/16" X 14 17/32"
W3915	39"	19 3/16"	(15/32")	19 1/16" X 14 17/32"

THIRD ANGLE PROJECTION 		hardware resources		
MATERIAL N/A	FINISH N/A			
DRAWN BY E.GOLESTANYAN		DATE 19MAR2020		DRAWING NUMBER W3915-W3615-W3315-W3015_FULL
DESIGNED BY NORTHPOINT		DATE		
APPROVED BY GREG DAVIS		DATE 27MAR2020		REV B
SIZE A3		SCALE 0.100		SHEET 1 / 1

PRODUCT SHOWN W3015

DOCUMENT STATUS Released

HARDWARE RESOURCES RESERVES THE RIGHT TO CHANGE SPECIFICATIONS WITHOUT NOTICE.
IN CASE OF A DISCREPANCY, ACTUAL PART GEOMETRY SUPERSEDES THIS DOCUMENT.

THE INFORMATION CONTAINED WITHIN THIS DRAWING IS THE SOLE PROPERTY OF HARDWARE RESOURCES INC. ANY REPRODUCTION IN PART OR WHOLE WITHOUT WRITTEN PERMISSION OF HARDWARE RESOURCES INC. IS PROHIBITED.