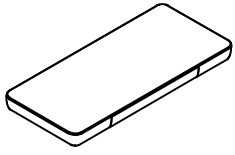


# ASSEMBLY INSTRUCTION

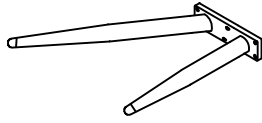
## WRITING DESK

**A** Desk Top



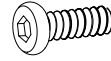
1pc

**B** Leg



2pcs

**C** Bolt  
Ø5/16"x1-1/2"



12pcs

**D** Lock Washer  
Ø5/16"xØ12x1.5mm



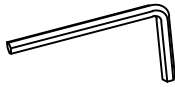
12pcs

**E** Flat Washer  
Ø5/16"xØ16x1.5mm

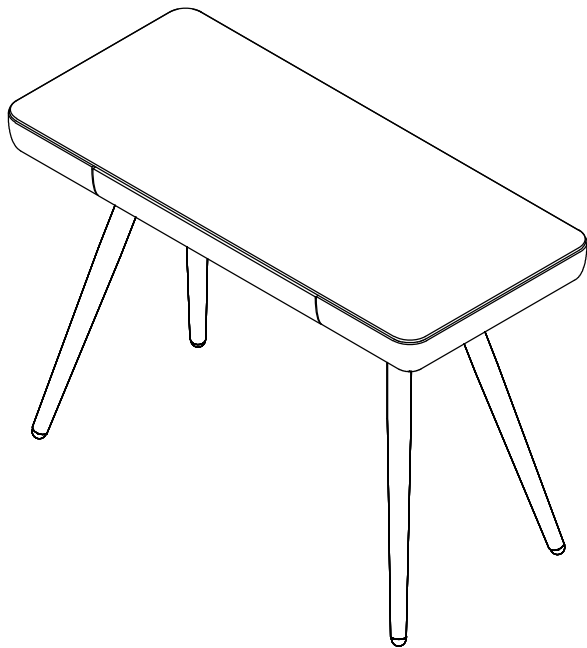


12pcs

**F** Allen Key  
M5

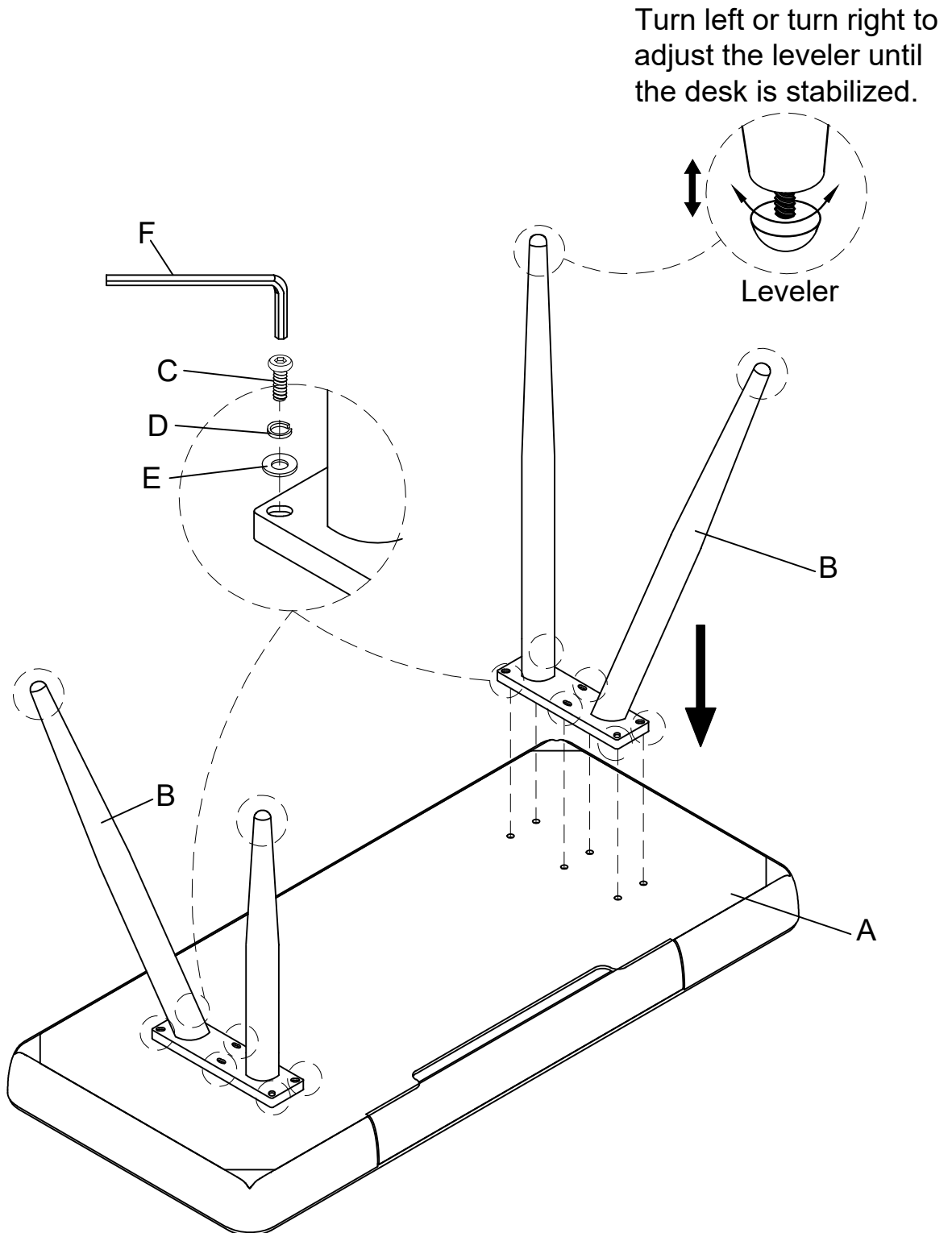


1pc



This page lists all the contents included in the box. Please take the time to identify the hardware as well as the individual components to this product. As you unpack and prepare for assembly, place the contents on a carpeted or padded area to protect them from damage.

- 1** Put the Desk Top (A) on a smooth flat surface, attach Leg (B) to the Desk Top (A) using Bolt (C), Lock Washer (D) and Flat Washer (E) by Allen Key (F) as below shown.



### Cleaning & Care

Treat surface with care. Surface is resistant to scratches but is not scratch resistant. Clean surfaces with a dry or damp soft cloth. Do not use abrasive cleaners. Hardware may loosen over time. Periodically check that all connections are tight.