



Underscore®
65-1/2" x 35-3/4" drop-in bath
K-5715

Features

- Integral lumbar support
- Oval basin creates a spacious bathing experience
- Slotted overflow allows for deep soaking

Material

- Acrylic

Installation

- Requires K-7271 or K-7272 Clearflo slotted overflow bath drain (sold separately)
- Center drain
- Drop-in or undermount

Required Products/Accessories

K-7271 Brass Slotted Overflow Bath Drain

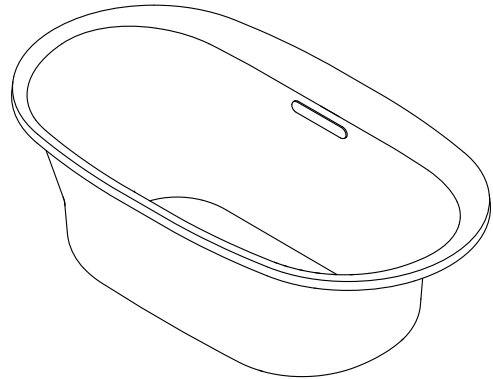
or

K-7272 PVC Slotted Overflow Bath Drain

Recommended Products/Accessories

K-883 Under-Mount Installation Kit

K-23726 Drain treatment



Codes/Standards

CSA B45.5/IAPMO Z124





KOHLER® Plastic Baths and Shower Bases Lifetime Limited Warranty

See website for detailed warranty information.

Available Colors/Finishes

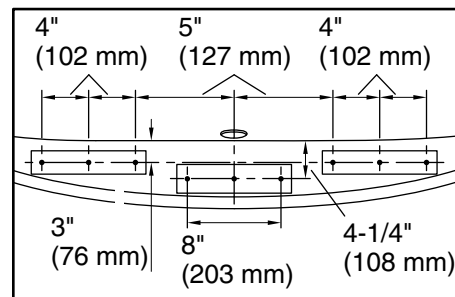
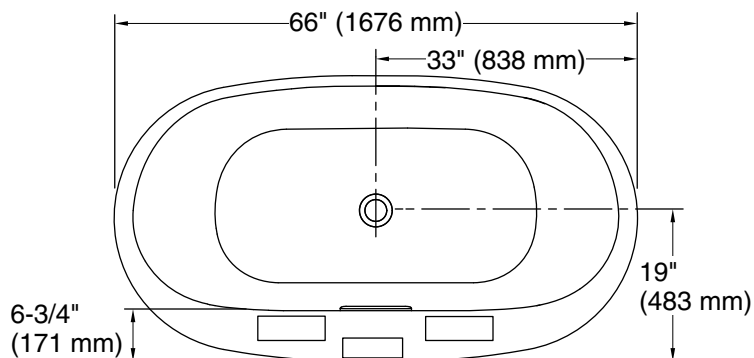
Color tiles intended for reference only.

Color Code Description

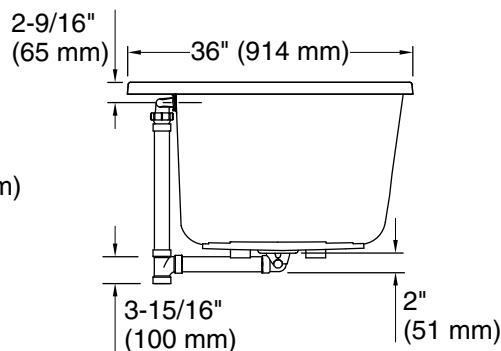
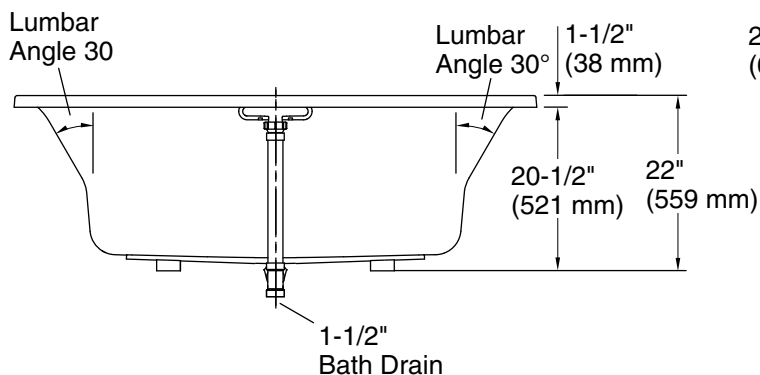
	0	White
	96	Biscuit
	95	Ice™ Grey
	7	Black Black™

No change in measurements if connected with drain illustrated. (K-7272)

☐ Recommended Faucet Location



Recommended Faucet Hole Location



Technical Information

All product dimensions are nominal.

Drain location:	Center
Basin area, bottom:	47" x 26-1/4" (1193 mm x 666 mm)
Basin area, top:	61-3/16" x 28-3/8" (1554 mm x 721 mm)
Weight:	90 lbs (40.8 kg)
Minimum floor load:	51.7 lbs/ft ² (252.4 kg/m ²)
Water depth:	17-9/16" (446 mm)
Water capacity:	85.5 gal (323.7 L)
Template:	Drop-in, 1268439-7, required, included

Notes

Measure your actual product for rough-in details.

Install this product according to the installation instructions.

The hot water supply should be 70% of the capacity of the bath or greater. Installations will vary.

If installing a rim-mount faucet, make sure there is no interference above or below the deck before drilling any holes.