



Slab Remote Temperature Sensor - CLI-SLAB1-xx Quick Reference Guide

The Savant CLI-SLAB1-xx is a highly accurate remote temperature sensor designed to be used with radiant heat type HVAC systems. The sensor is potted in a rugged waterproof stainless steel sleeve, and can be wired to the remote temperature sensor input on a number of different models of Savant Climate controllers (See the **Support For:** section below).

CLI-SLAB1-xx Floor Heating Sensor



Box Contents

- (1) Slab Remote Sensor (CLI-SLAB1-xx)
- (2) Dolphin Splice Connectors (028-0581-00)
- (1) Quick Reference Guide (009-1097-xx, this document)

Support For:

Savant offers a range of different types of sensors including the models listed below. For more information, visit the Savant Store:

- Eight Zone Centralized Thermostat Processing Unit (CLI-8000)
- Multistat Smart Thermostat (CLI-W200, CLI-W210)
- Sensor Module with Four 10K Thermistor Inputs (CLI-10K4IN)
- Relay Module for PTAC with 6-Port Climate Relay and Thermistor Input (CLI-PTAC1K1)

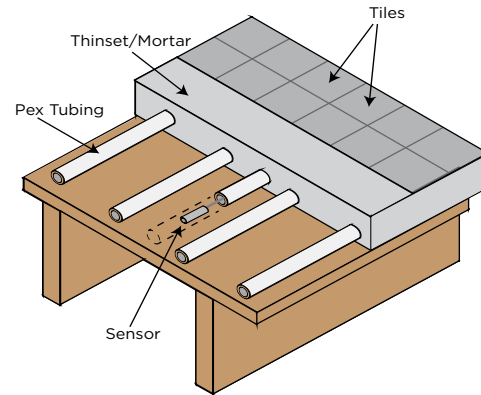
Additional Sensors

- Commercial Plenum Temperature Sensor - CLI-PLEN1C-xx
- Residential Plenum Temperature Sensor - CLI-PLEN1R-xx
- Remote Indoor Temperature Sensor - CLI-TEMP1-xx
- Remote Outdoor Temperature Sensor - CLI-OTEMP1-xx
- Remote Humidity/Temperature Smart Sensor - CLI-THFM1-xx

Specifications

Environmental	
Temperature	32° to 158° F (0° to 70° C)
Cable Requirements	
#22 AWG Twisted Pair	500 feet (152.4m) maximum
Sensor Properties & Features	
Temperature Range	-40° to 257°F (-40° to 125°C)
Temperature Accuracy	+/- .36° F (.2° C)
Resistance	10 KΩ +/- 1% @ approx 77°F/25°C
Temperature Curve	10 K Type 2
Probe Size (l x w)	.6 x .196 inch (1.52 x .5 cm)
Probe Material	Stainless Steel
Probe Wire Length	4.4 inch (11.2 cm)
Wire Properties	UL2468 #26 AWG
Regulatory	
RoHS	Compliant

Installation



Slab sensors monitor the floor temperature in areas where radiant heat is installed. Refer to the diagram above for an example of a standard installation. Note that specifics may vary based on flooring and system type.

- Sensor can be embedded in mortar or concrete.
- For best results, sensor location should be centered between two rows of radiant heat tubing.
- Savant recommends installation inside an accessible length of tubing to both protect the sensor during installation and allow for easy replacement if needed.

Connecting Sensor to longer lengths of cable

The CLI-SLAB1 sensor includes a 4 inch pigtail with stripped and tinned ends. In installations that require longer lengths of wire, the pigtail wire can be spliced together with a twisted pair cable using the supplied Dolphin splice connectors (Refer to the Cable Requirements field in table).

TIP! When making connections, Savant recommends using a Dolphin DC4141 or DC-500F crimping tool.

Connecting Sensor to an HVAC Controller

The slab sensor can be wired to the remote sensor port on any supported Savant HVAC controller. Reference designators (RS1, RS2, etc) may vary based on the controller used. For detailed instructions on connecting the remote sensor, refer to the relevant documentation for the product in use.

Deployment Guides:

- CLI-8000 Savant Centralized Climate Control (009-1073-xx)
- CLI-W200/210 Multistat Smart Thermostat (009-1636-xx)

Quick Reference Guides:

- CLI-W200/210 Multistat Smart Thermostat (009-1636-xx)
- CLI-10K4IN Climate Sensor Module (009-1798-xx)
- CLI-PTAC1K1 Climate Sensor Module (009-1806-xx)w