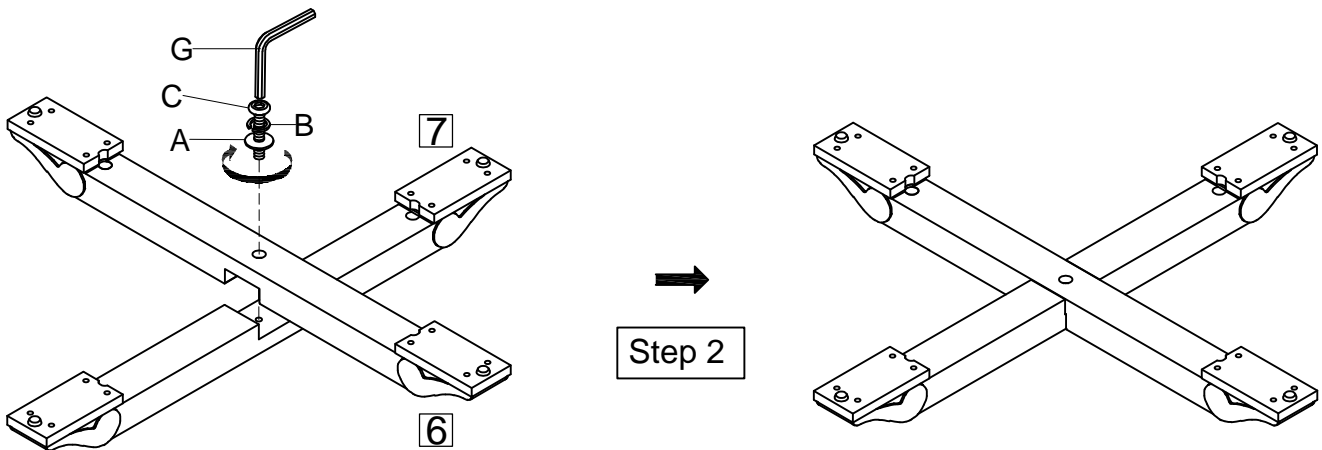
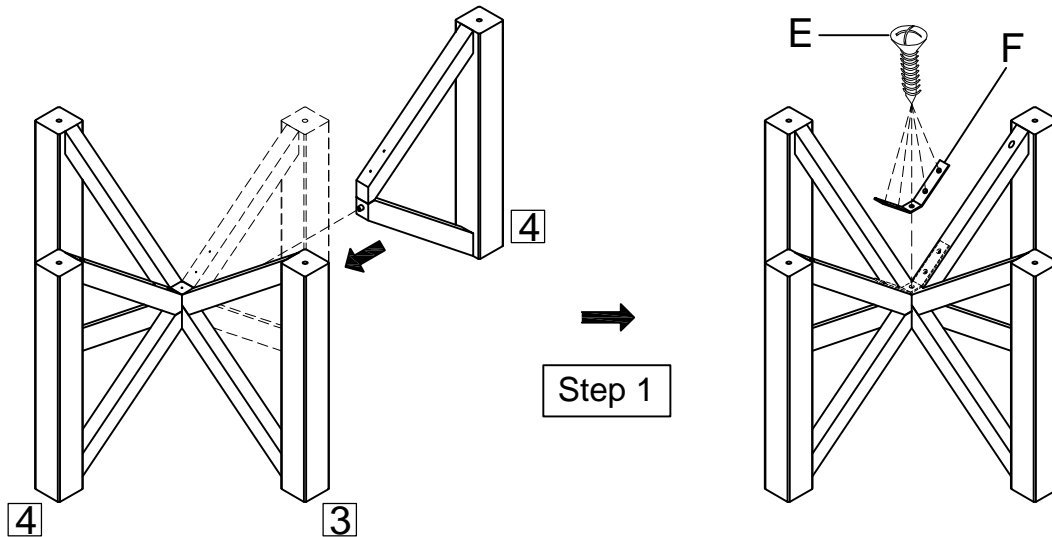


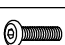
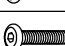












Thank you for purchasing this quality product from A.R.T. Furniture. Be sure to check all packing material for parts which may have come loose inside the carton during shipment. Identify and count all parts and compare with the parts list below.

Note: Some furniture is heavy, it is recommended that two people assemble this item to avoid injury or damage.

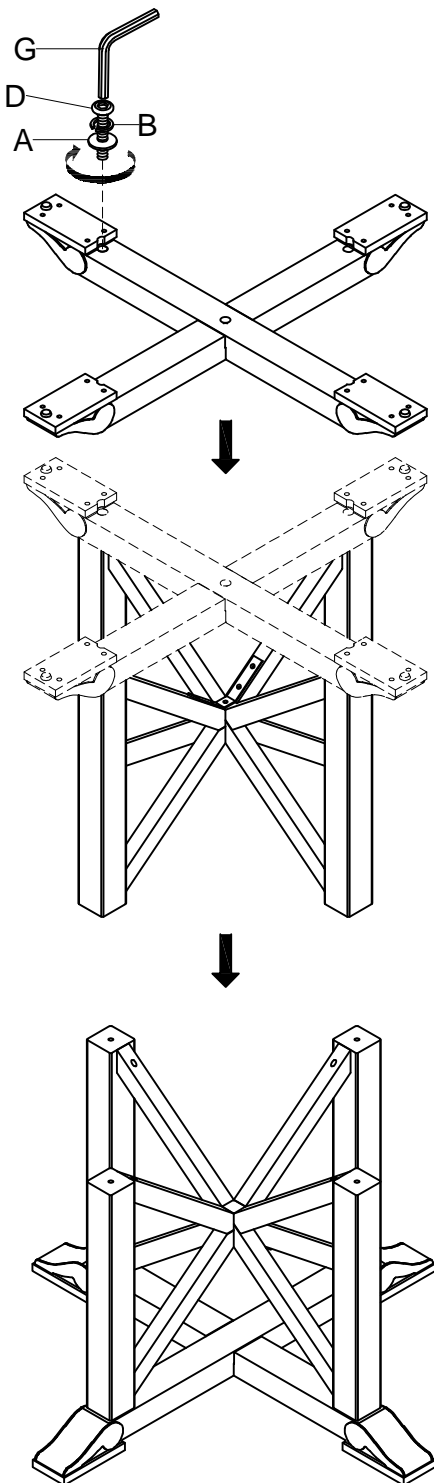


No.	Hardware List		
A		$\frac{5}{16}$ " Flat Washer	17
B		$\frac{5}{16}$ " Lock Washer	17
C		$\frac{5}{16}$ " x $1\frac{1}{4}$ " Bolt	13
D		$\frac{5}{16}$ " x $2\frac{1}{2}$ " Bolt	4
E		Wood Screw	5
F		Support bracket	1
G		4mm Allen Wrench	1

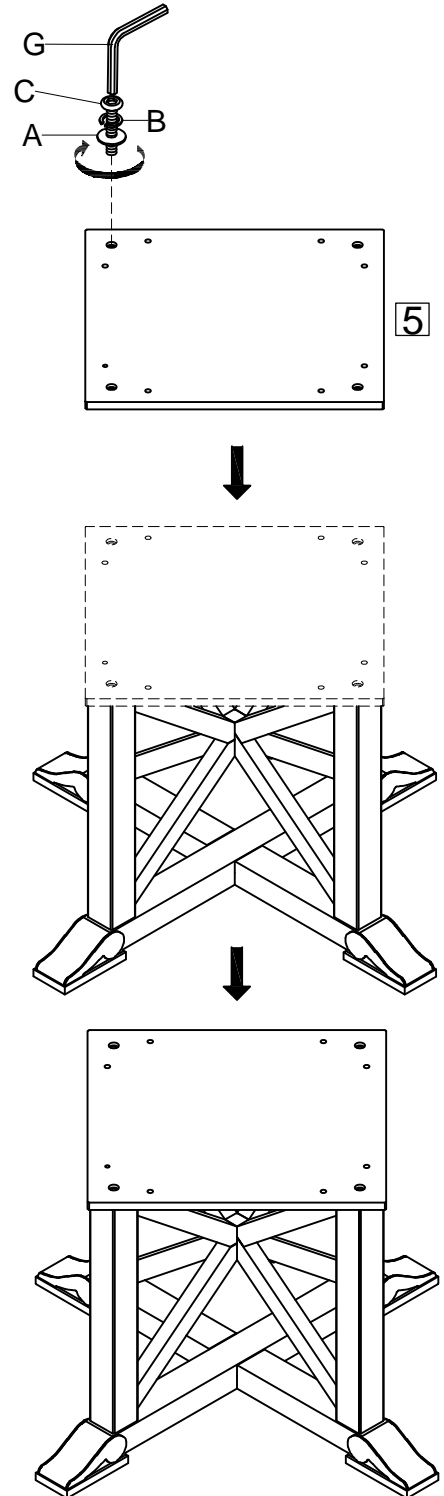
Parts List			
1		Table Top	1
2		Leaf	1
3		Center Frame	1
4		Side Frame	2
5		Mounting Plate	1
6		Upper bottom base	1
7		Lower bottom base	1

Thank you for purchasing this quality product from A.R.T. Furniture. Be sure to check all packing material for parts which may have come loose inside the carton during shipment. Identify and count all parts and compare with the parts list below.

Note: Some furniture is heavy, it is recommended that two people assemble this item to avoid injury or damage.



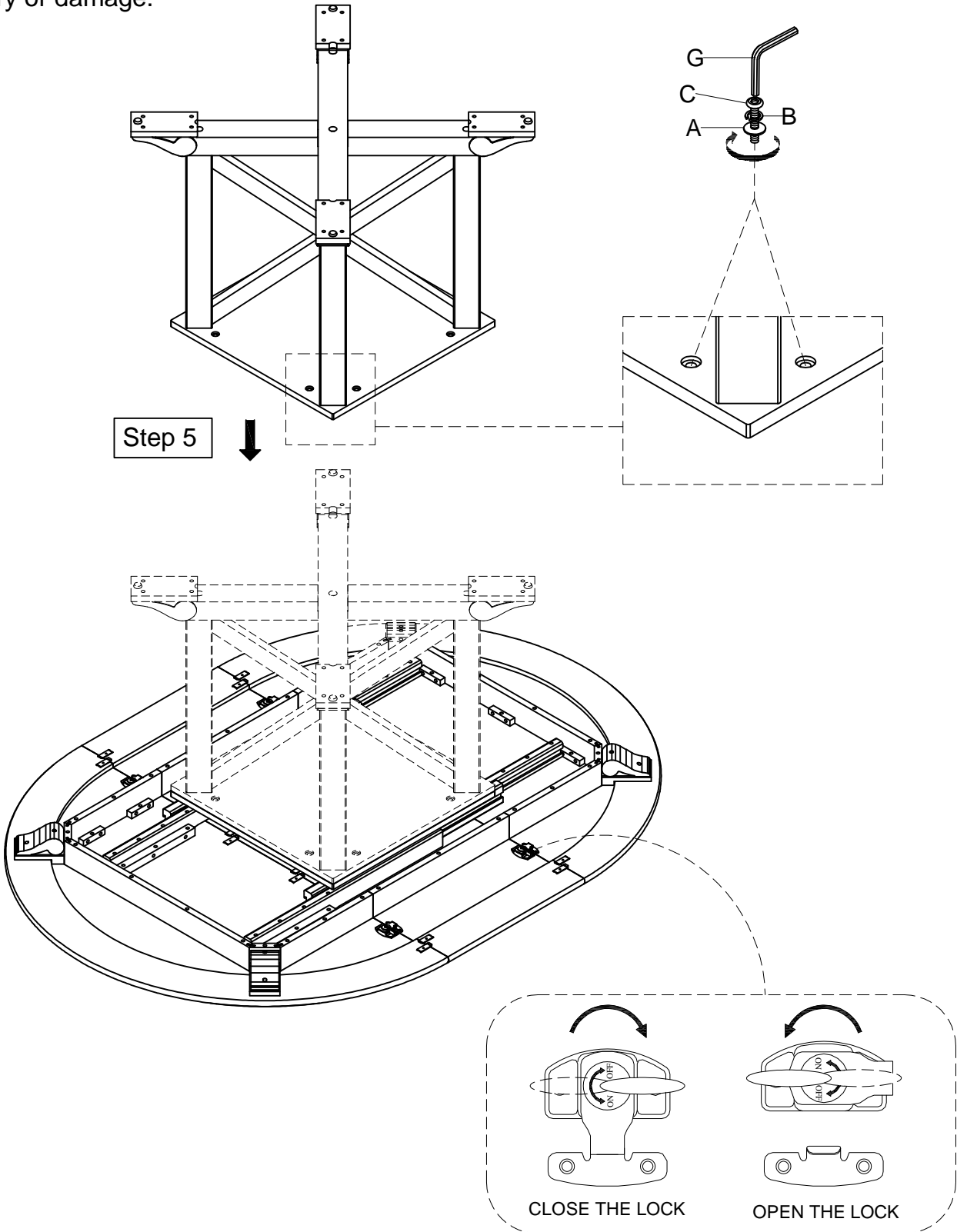
Step 3



Step 4

Thank you for purchasing this quality product from A.R.T. Furniture. Be sure to check all packing material for parts which may have come loose inside the carton during shipment. Identify and count all parts and compare with the parts list below.

Note: Some furniture is heavy, it is recommended that two people assemble this item to avoid injury or damage.



Step 5

CLOSE THE LOCK

OPEN THE LOCK

Thank you for purchasing this quality product from A.R.T. Furniture. Be sure to check all packing material for parts which may have come loose inside the carton during shipment. Identify and count all parts and compare with the parts list below.

Note: Some furniture is heavy, it is recommended that two people assemble this item to avoid injury or damage.

