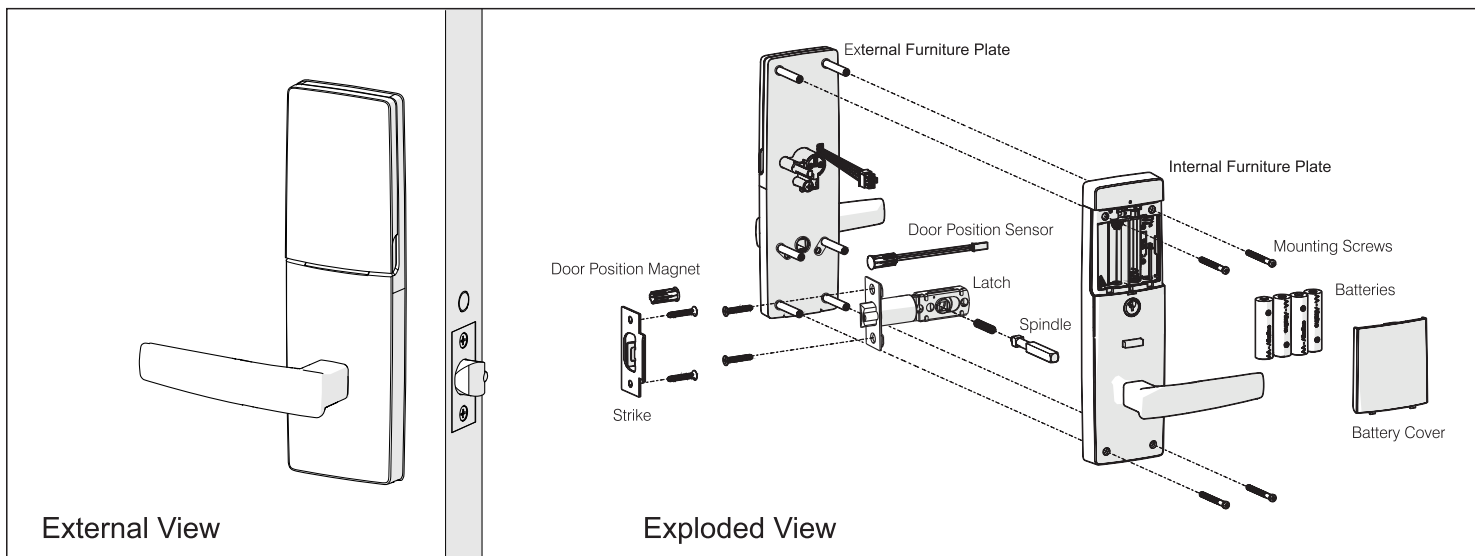


# Installation Instructions

Suits 35mm to 45mm Door Thickness

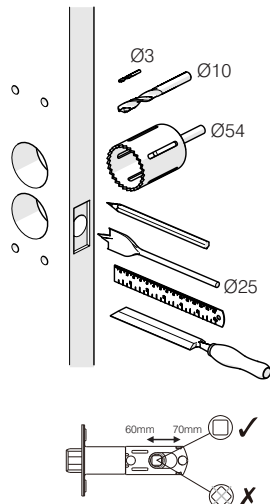
GAINSBOROUGH  
freestyle



## Step 1:

### Prepare the Door

- Fold template where indicated.
- Position template on door edge at desired lock / latch height.
- Firmly hold template and mark latch height and hole positions at desired backset.
- Reverse the template fold and mark the other side of the door.
- Measure the door thickness and mark the centre on the "latch height" marking.
- Drill  $\varnothing 25\text{mm}$  latch hole. Note: it is important to drill this hole squarely.
- Drill pilot holes. (suggested size  $\varnothing 3\text{ mm}$ ) Then enlarge holes following the installation template instructions.
- Drill  $\varnothing 10\text{ mm}$  and  $\varnothing 54\text{ mm}$  holes from both sides of the door.
- Mark and chisel latch faceplate to a recess of  $4.0\text{ mm}$ . Use latch as a template.

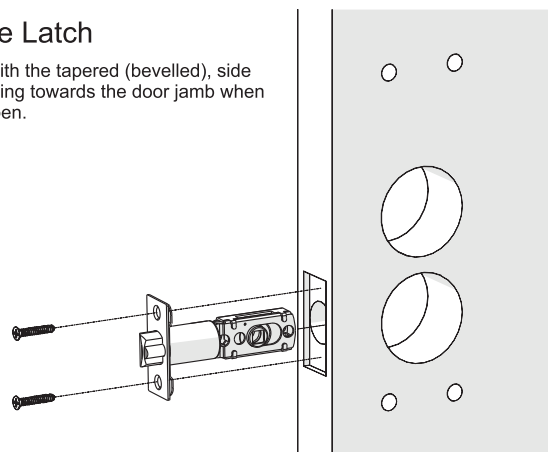


(If installing the Door Position Sensor, refer to Step 1b on page 3)

## Step 2:

### Install the Latch

Install latch with the tapered (bevelled), side of the bolt facing towards the door jamb when the door is open.



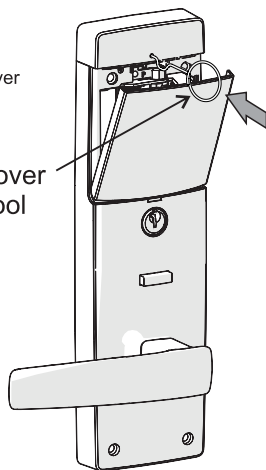
(If installing the Door Position Sensor, refer to Step 2b on page 3)

## Step 3:

### Prepare the Internal Furniture

Using the supplied battery cover release tool, push through the hole to release the battery cover to expose the mounting screw holes.

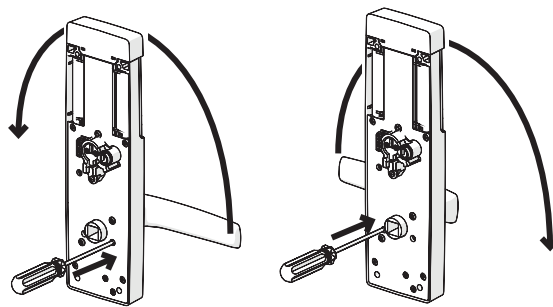
Battery cover release tool



## Step 4:

### Handing of the Internal Lever

- Rehand the lever (if necessary), by pushing the retaining plate inside the furniture as shown. (Push through the hole on the same side as the lever.)
- Then swing the lever up and over to the other direction.



- NOTES:**
- Carefully follow these instructions when installing.
  - Do not overtighten screws.
  - Use of power driver is not recommended for screw installation.
  - Fully remove the Gainsborough Freestyle prior to painting the door to avoid damaging the product's finish
  - Suitable door thickness is between 35 and 45mm



READY TO GET YOUR SMART HOME JOURNEY STARTED?  
WATCH INSTALLATION AND SET UP VIDEOS

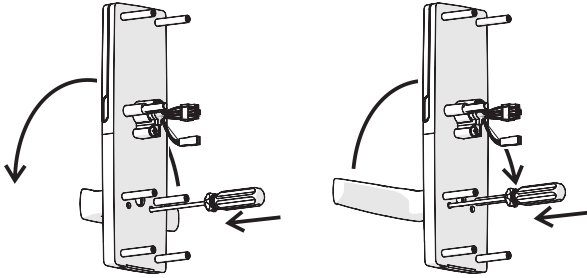
**TRILOCK**

# Installation Instructions

## Step 5:

### Handing of the External Furniture

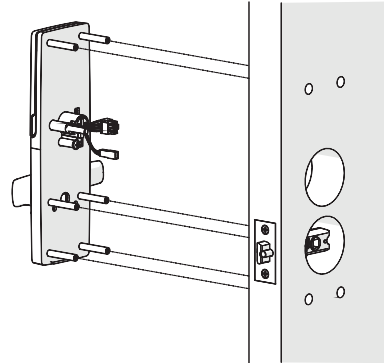
- Rehand the lever (if necessary), by pushing the retaining plate inside the furniture as shown. Push through the hole on the same side as the lever.
- Then swing the lever up and over to the other direction.



## Step 6:

### Assemble the External Furniture to the Door

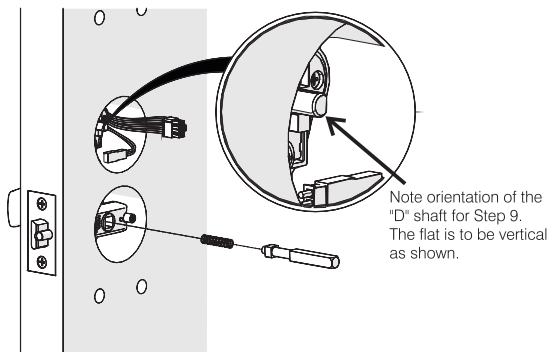
Install the External furniture onto the door as shown.



## Step 7:

### Install the Spindle

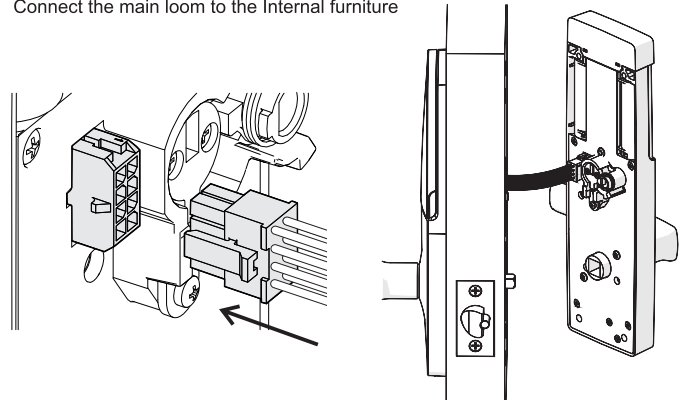
Fit the Spindle Spring to the Spindle, and then assemble through the latch into the External Handle.



## Step 8:

### Connect the Internal Furniture

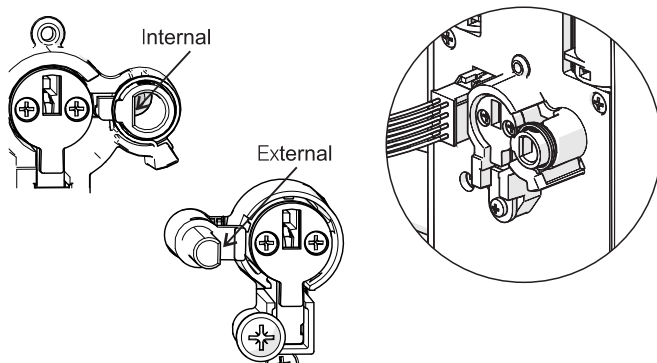
Connect the main loom to the Internal furniture



## Step 9:

### Connect the Internal Furniture

Ensure the internal and external drive "D" shaft and socket are aligned



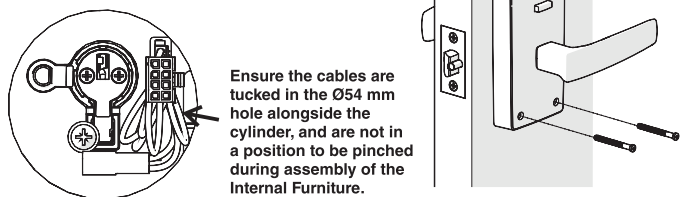
## Step 10:

### Secure the Internal Furniture

Install the Internal furniture, taking care:

- to align the "D" shaft / socket and the latch spindle
- to ensure the loom is not pinched during assembly. This is very important.

Fasten the Internal Furniture to the External Furniture using the 4 screws supplied with the Allen Key



(If installing the Door Position Sensor, refer to Step 3b on page 3)

### Step 11:

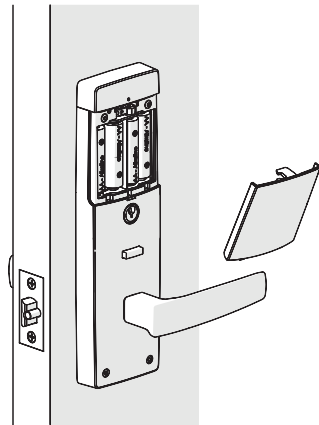
#### Installation of Batteries

Install the batteries and fit the battery cover.

**Use only good quality AA ALKALINE batteries.**

Note orientation of the batteries.

Do not mix old and new batteries.



### Step 12:

#### Installation of the Strike

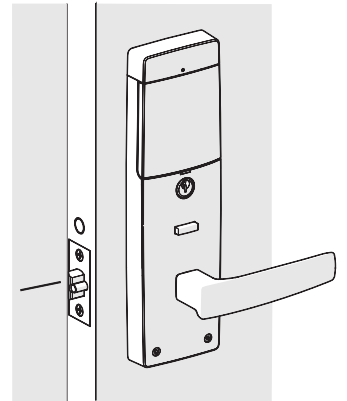
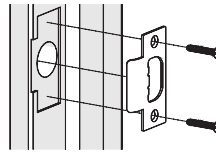
**All door seals must be fitted prior to fitting strike plate.**

Position the door so that the centrepoint of the strike plate can be marked on door frame.

Mark and drill a  $\varnothing 25\text{mm}$  hole to a depth of 25mm, at a corresponding height to the bolt.

Mark and chisel recesses for strike plate

Fit the strike plate using the 2 screws supplied.



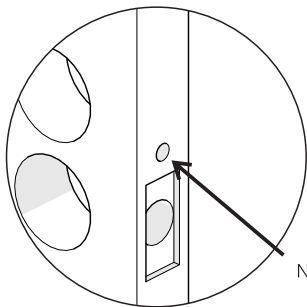
(See Step 4b below for installation of Door Sensor Magnet)

## Door Position Sensor\* Installation - Connected Gainsborough Freestyle only

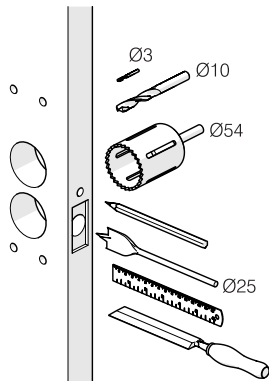
### Step 1b:

#### Prepare Door

Using the template provided, drill a  $\varnothing 10\text{mm}$  hole in the side of the door as shown.



Note hole for Sensor

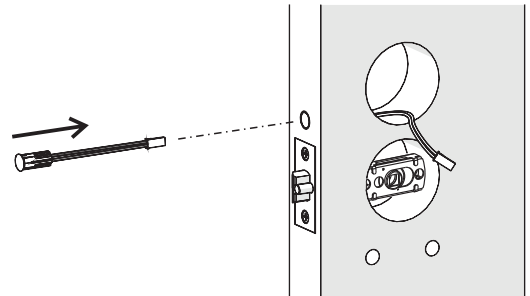


### Step 2b:

#### Install Door Position Sensor in Door

Insert Door Position Sensor cable through the  $\varnothing 10\text{mm}$  hole. Extend it through the  $\varnothing 54\text{mm}$  hole.

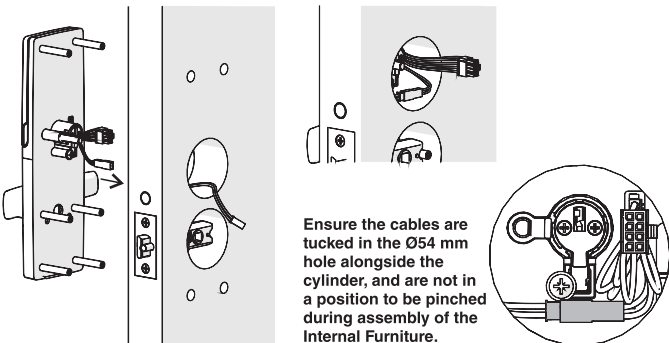
Firmly press the magnet housing into the door edge until the front face is flush with the door edge.



### Step 3b:

#### Connect Door Position Sensor

Connect Door Position Sensor cable to plug on the Main cable

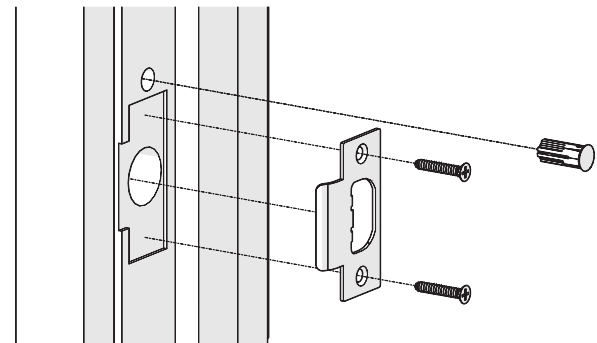


Ensure the cables are tucked in the  $\varnothing 54\text{ mm}$  hole alongside the cylinder, and are not in a position to be pinched during assembly of the Internal Furniture.

### Step 4b:

#### Install Door Position Magnet

Drill a  $\varnothing 10\text{mm}$  hole for the Door Position Magnet and fit magnet as shown.

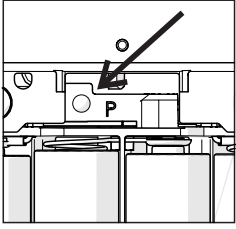


\* - Door Position Sensor included with Gainsborough Wi-Fi Bridge and Door Sensor Kit (sold separately).

## Setting First User Admin Code

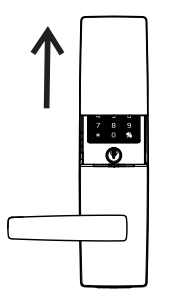
### Step 1:

Facing the Internal lockset, locate the Program button above the batteries. Press and hold for 10 sec. After approx. 10 sec., confirmation light will blink.



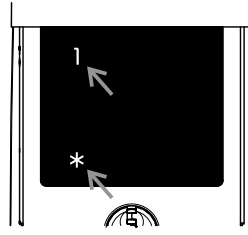
### Step 2:

On the External side, slide cover up to energise Keypad.



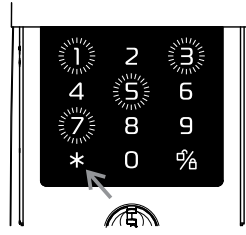
### Step 3:

Press '\*', choose '1' then '\*'.



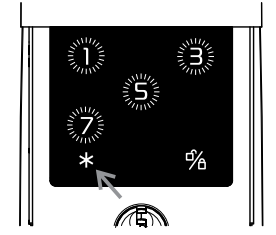
### Step 4:

Enter desired 4 digit PIN code then press '\*'.



### Step 5:

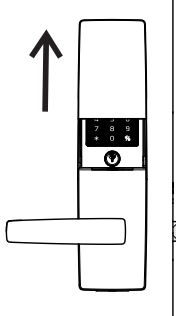
PIN code will repeat. Press '\*' again to accept PIN. Press '%/6' to reject PIN.



## Gainsborough Freestyle Function - with Keypad

### Step 1:

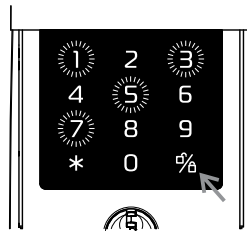
Slide cover up to energise Keypad.



Refer to User Guide for full Gainsborough Freestyle functionality.

### Step 2:

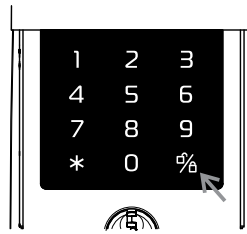
To **UNLOCK** - Enter 4 digit PIN code and press '%/6'.



**Note: Lockset must be in LOCKED state.**

### Step 3:

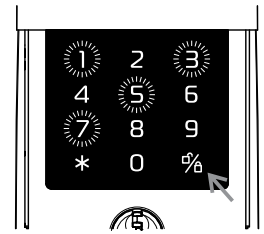
To **PRIVACY LOCK** - Press '%/6' when leaving.



**Note: Lockset must be in UNLOCKED state.**

### Step 4:

To **DEADLOCK** - Enter 4 digit PIN code and press '%/6' when leaving.

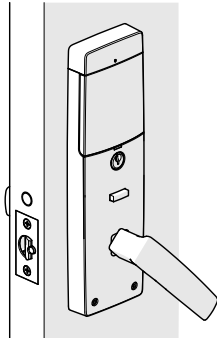


**Note: Lockset must be in UNLOCKED state.**

## Gainsborough Freestyle Manual Function

### PASSAGE MODE

Outside **UNLOCKED**  
Inside **UNLOCKED**

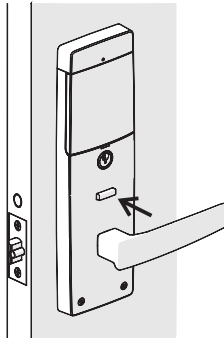


### PRIVACY MODE

Outside **LOCKED**  
Inside **UNLOCKED**

Press Button to engage Privacy mode.

Unlock by external key, keypad or internal by operating lever.



### DEADLOCK MODE

Outside **LOCKED**  
Inside **LOCKED**

**Note: DEADLOCK can only be set via the Keypad (see above).**

Unlock by external key, keypad or internal key.

