

HEKMAN®

A HOWARD MILLER COMPANY
Grand Rapids, Michigan

INSTALLATION INSTRUCTIONS

Pattern Description 24525 Eat chair






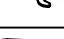

DO NOT SCALE SKETCHES
COPYRIGHT 1997 HEKMAN FURNITURE COMPANY

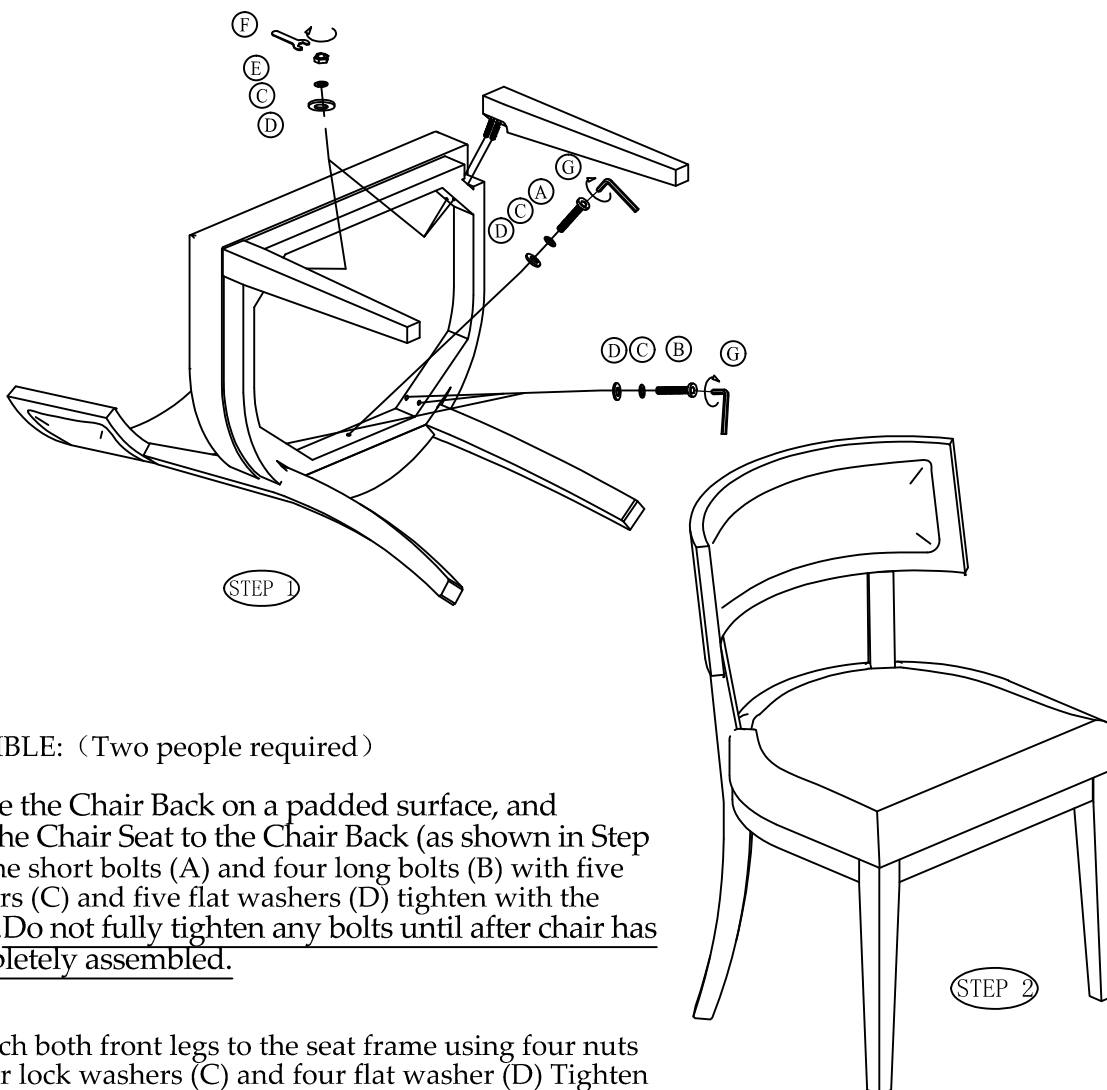
Pattern Number(s)

24525

Drawn By INY

Date 8/1/17

PARTS			Q' TY
A		5/16*1-3/4"	1
B		5/16*3"	4
C		5/16 "	9
D		5/16 "	9
E		5/16 "	4
F		13MM	1
G		5MM	1



TO ASSEMBLE: (Two people required)

Step 1: Place the Chair Back on a padded surface, and assemble the Chair Seat to the Chair Back (as shown in Step 1), using one short bolts (A) and four long bolts (B) with five lock washers (C) and five flat washers (D) tighten with the wrench (G). Do not fully tighten any bolts until after chair has been completely assembled.

Step 2: Attach both front legs to the seat frame using four nuts (E), and four lock washers (C) and four flat washer (D) Tighten with the wrench (F).