

KALLISTA®

Juxtapose® by Mick De Giulio

Pot Filler
P23181-00

Features

- A selection of products within this collection is in stock and ready to ship. Please visit kallista.com/resources#ReadyToShip for the complete list of Ready-to-Ship products and finishes
- High-quality solid metal construction for durability and reliability
- Wall-mount installation
- 22" (559 mm) reach capability
- 3.2 gpm (12.1 lpm) flow rate at 60 psi (4.14 bar)

Recommended Products/Accessories

P23174-LV Semi-Professional Faucet
P23175-LV Bar Faucet
L20308-00 18" Bar Sink
P30801-00 4" cabinet pull



Codes/Standards




ASME A112.18.1/CSA B125.1
NSF/ANSI/CAN 61
NSF/ANSI/CAN 372
Water Regulations Advisory Scheme (WRAS)

KALLISTA® Five-Year Limited Warranty

See website for detailed warranty information.

Available Colors/Finishes

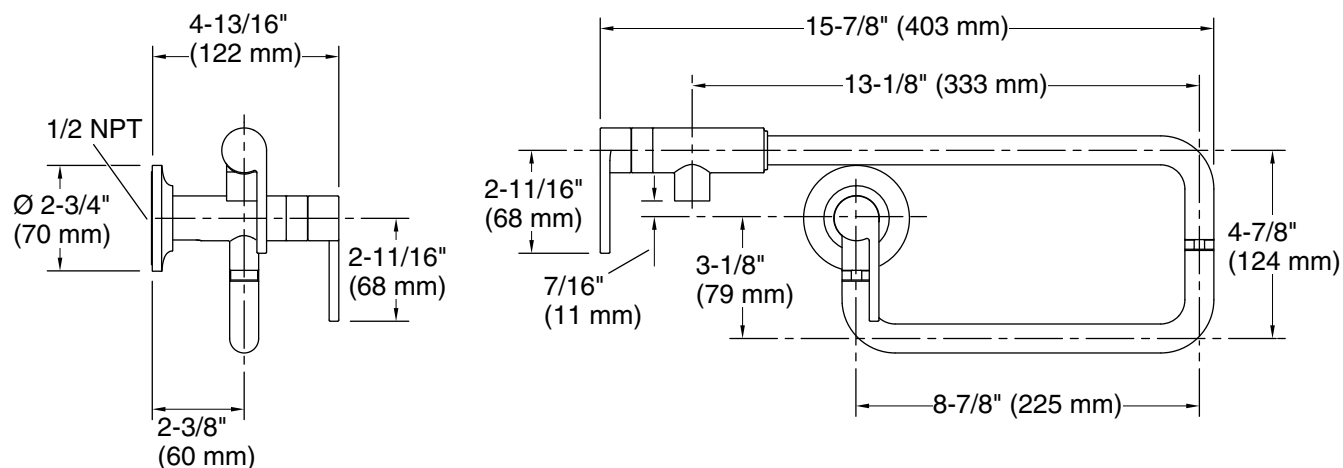
Color tiles intended for reference only.

Color	Code	Description
	CP	Polished Chrome
	BL	Matte Black
	VS	Stainless

KALLISTA

Juxtapose® by Mick De Giulio

Pot Filler
P23181-00



Technical Information

All product dimensions are nominal.

Faucet flow rate: 3.2 gal/min (12.1 l/min)

Spout:

Spout reach: 22" (559 mm)

Pressure/fixture Supply Requirements

Min flow rate: 1.2 gpm (4.5 lpm)

Notes

Install this product according to the installation instructions.